



US00D487926S

(12) **United States Design Patent**
Okamoto et al.

(10) **Patent No.:** **US D487,926 S**
(45) **Date of Patent:** **** Mar. 30, 2004**

(54) **BATH FOR A HANDICAPPED PERSON**

FOREIGN PATENT DOCUMENTS

(75) Inventors: **Yasutoshi Okamoto**, Moriguchi (JP);
Yasuhiro Matsusaki, Moriguchi (JP);
Shinji Oda, Moriguchi (JP); **Masatoshi Okuda**, Moriguchi (JP)

SU 1101229 * 11/1981 D24/203

OTHER PUBLICATIONS

The Apollo Bath, 4 page brochure, Feb. 1984.*

* cited by examiner

(73) Assignees: **Sanyo Electric Co., LTD**, Osaka (JP);
Sanyo Electric Techno Clean Co., Ltd., Osaka (JP)

Primary Examiner—Louis S. Zarfaz
Assistant Examiner—Robert A. Delehanty
(74) *Attorney, Agent, or Firm*—Rabin & Berdo, PC

(**) Term: **14 Years**

(57) **CLAIM**

(21) Appl. No.: **29/176,637**

The ornamental design for a bath for a handicapped person, as shown and described.

(22) Filed: **Feb. 27, 2003**

(30) **Foreign Application Priority Data**

DESCRIPTION

Sep. 4, 2002 (JP) 2002-023956

(51) **LOC (7) Cl.** **23-02**

(52) **U.S. Cl.** **D23/275**

(58) **Field of Search** D23/273, 279,
D23/280.2, 303–306; 4/532, 538, 546, 555,
557, 575.1, 661; D24/202, 203, 204, 205

FIG. 1 is a perspective view of a bath for a handicapped person showing our new design;
FIG. 2 is a top plan view thereof;
FIG. 3 is a front elevation view thereof;
FIG. 4 is a right side view thereof;
FIG. 5 is a bottom plan side view thereof;
FIG. 6 is a rear elevation view thereof;
FIG. 7 is a left side view thereof;
FIG. 8 is a perspective view thereof showing a state where a bathtub cover opens; and,
FIG. 9 is a perspective view thereof for reference which shows a state where the bathtub is retracted when it is not used.

(56) **References Cited**

U.S. PATENT DOCUMENTS

4,031,573 A * 6/1977 Romanoff 4/532
D261,796 S * 11/1981 Queen D23/279 X
D271,523 S * 11/1983 Richburg D24/204
4,610,040 A * 9/1986 Concato D24/204 X
D404,805 S * 1/1999 Hurt D23/280.2
5,978,983 A * 11/1999 Queen 4/555 X

1 Claim, 5 Drawing Sheets

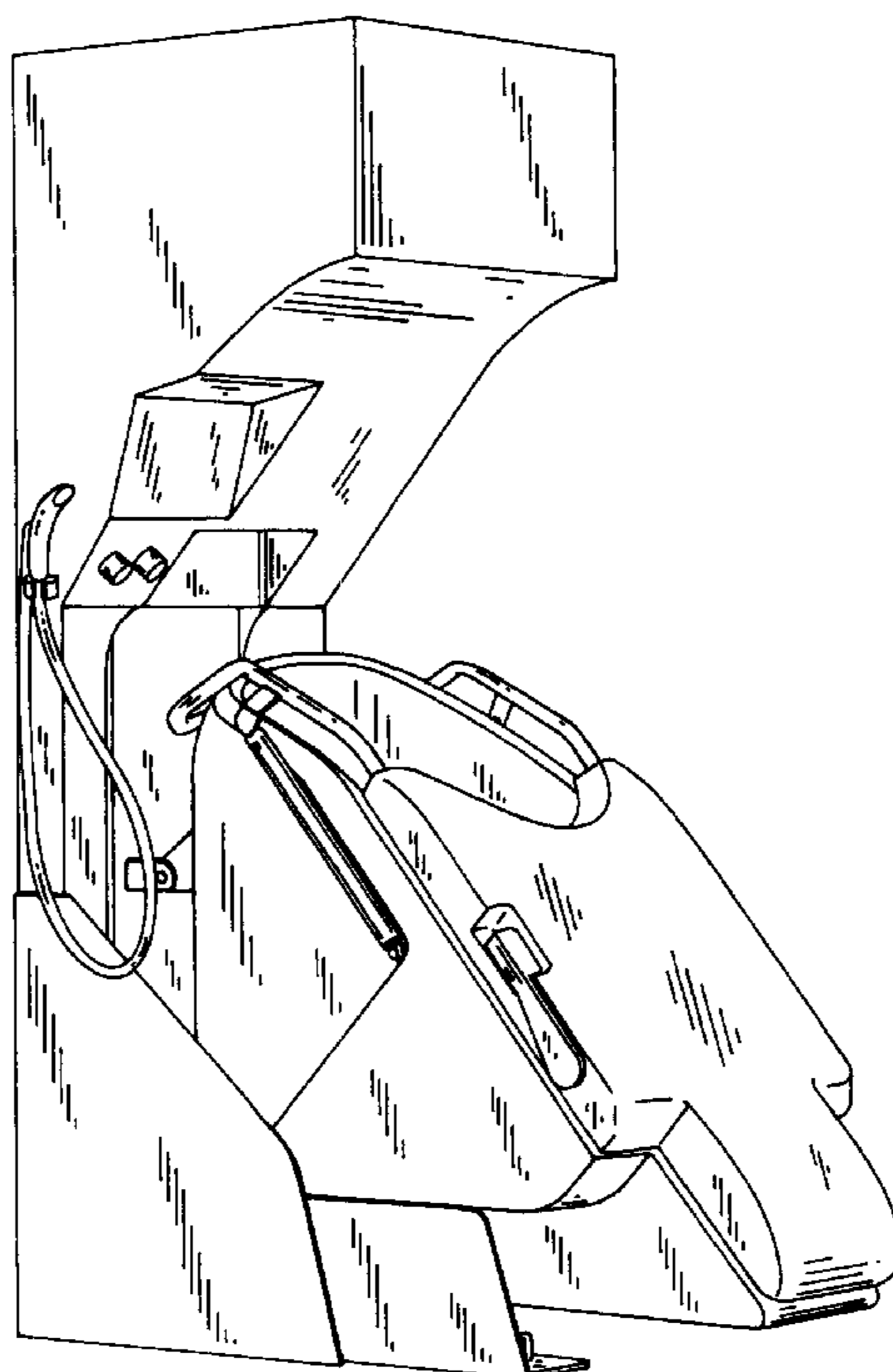


FIG. 1

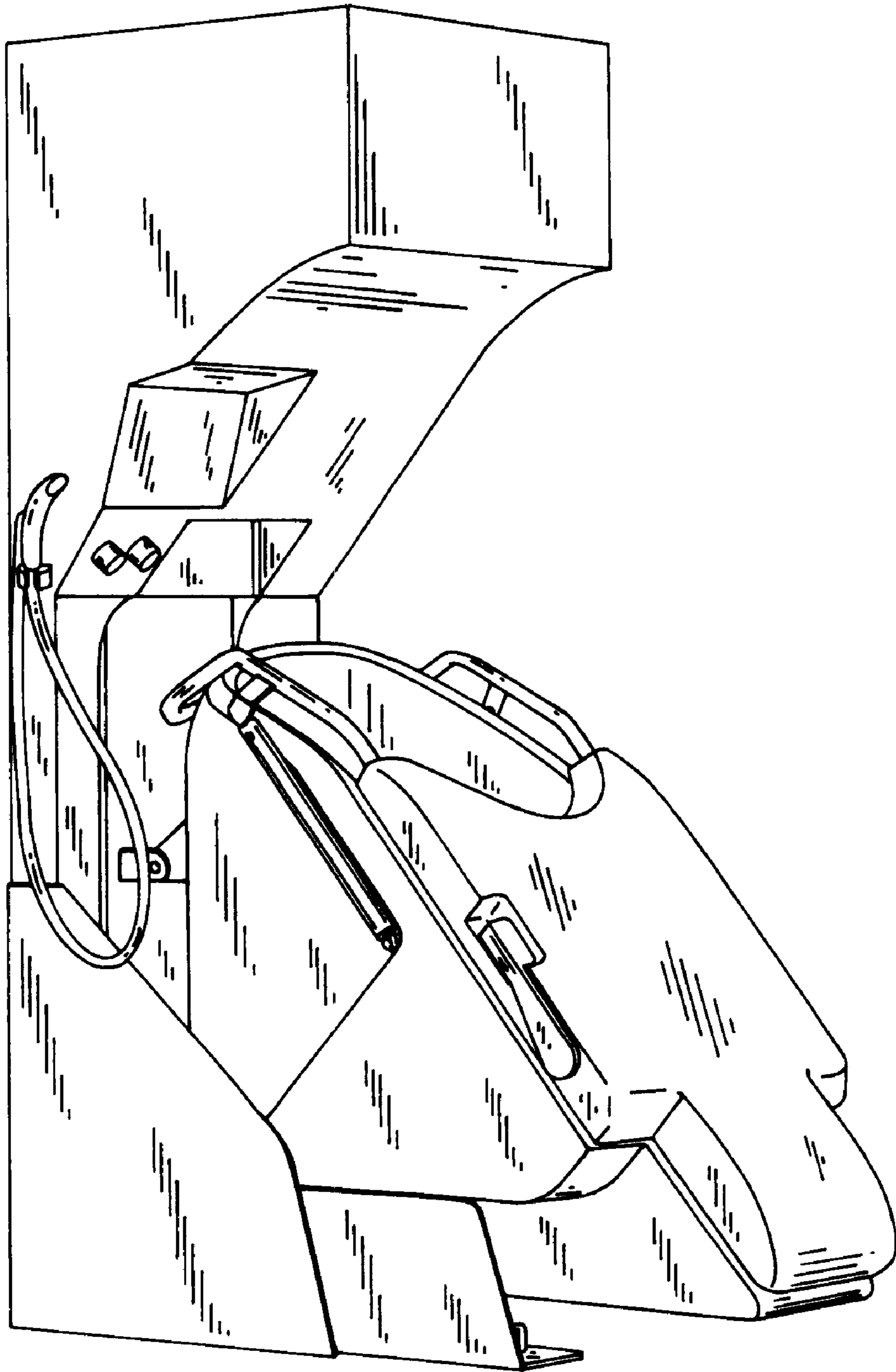


FIG. 2

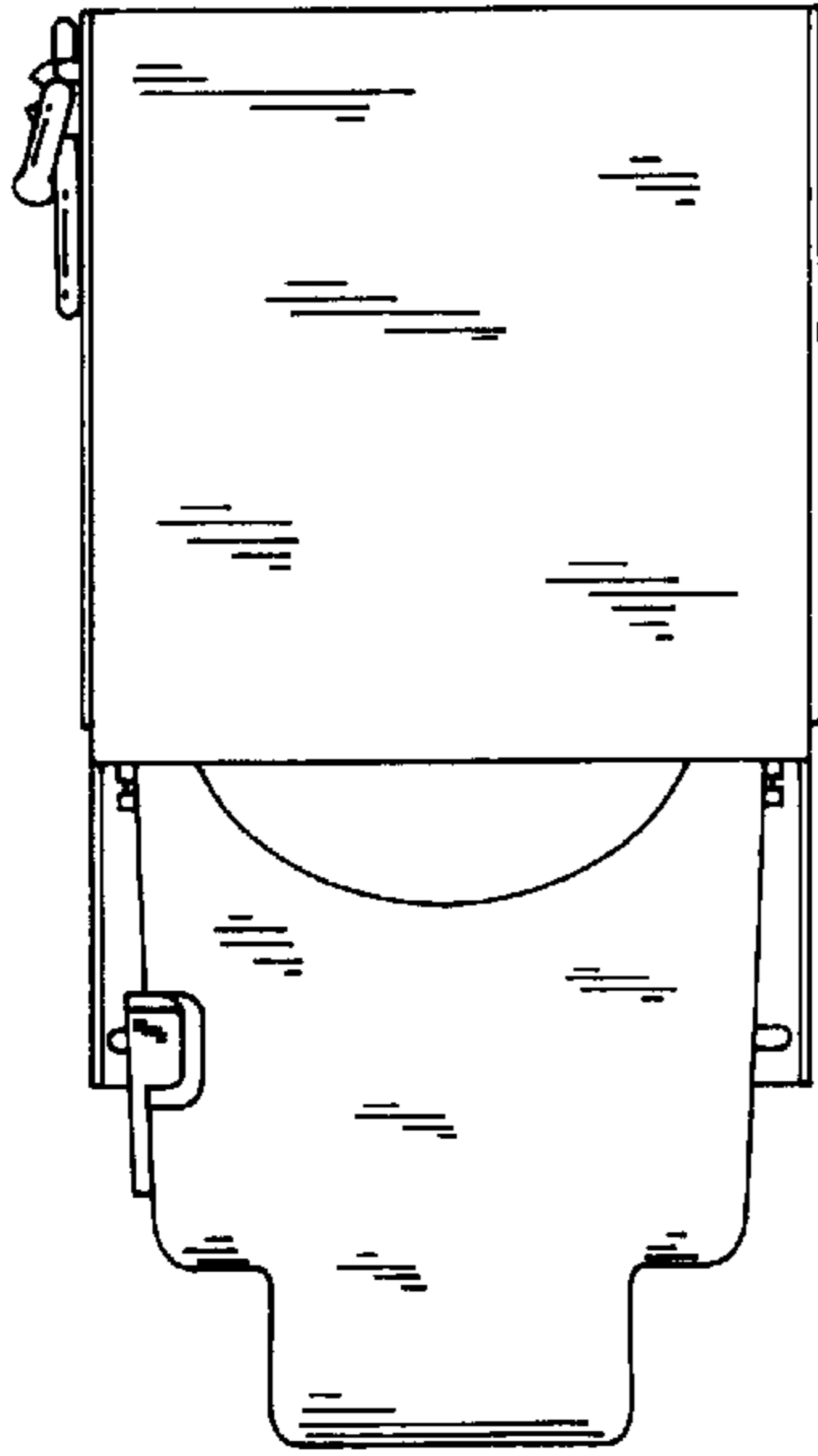


FIG. 3

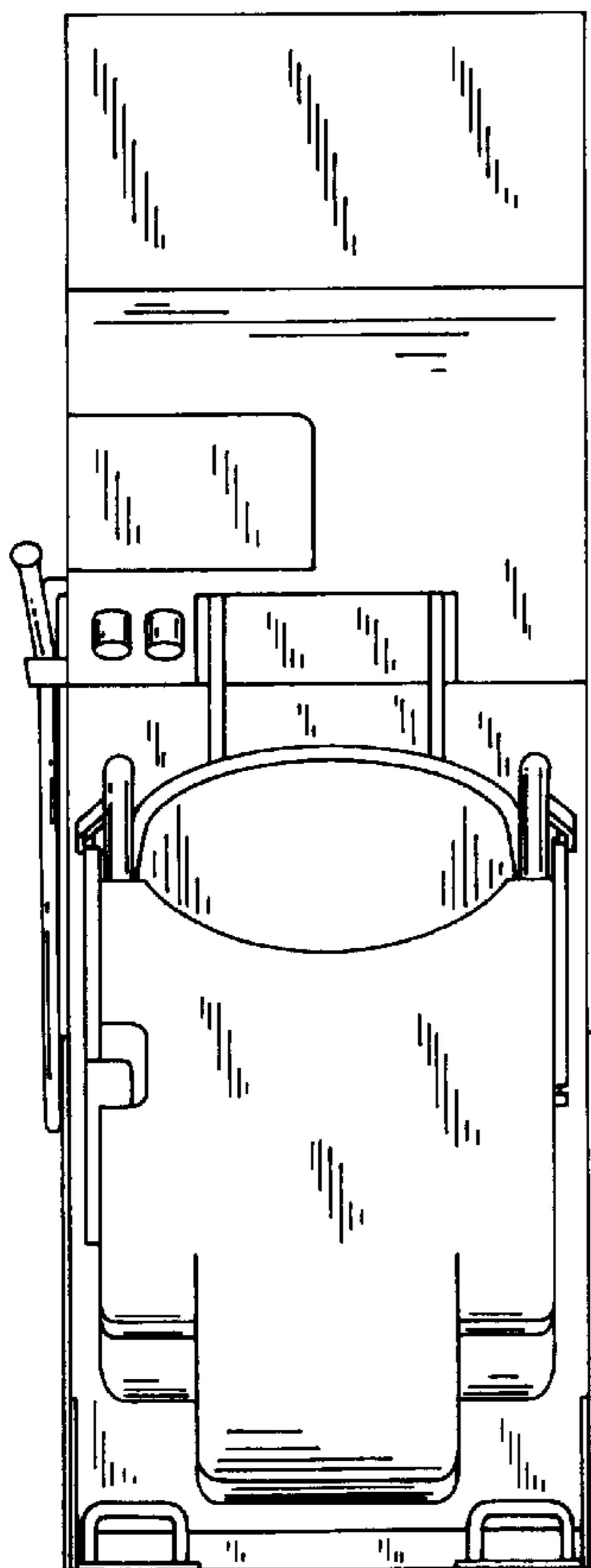


FIG. 4

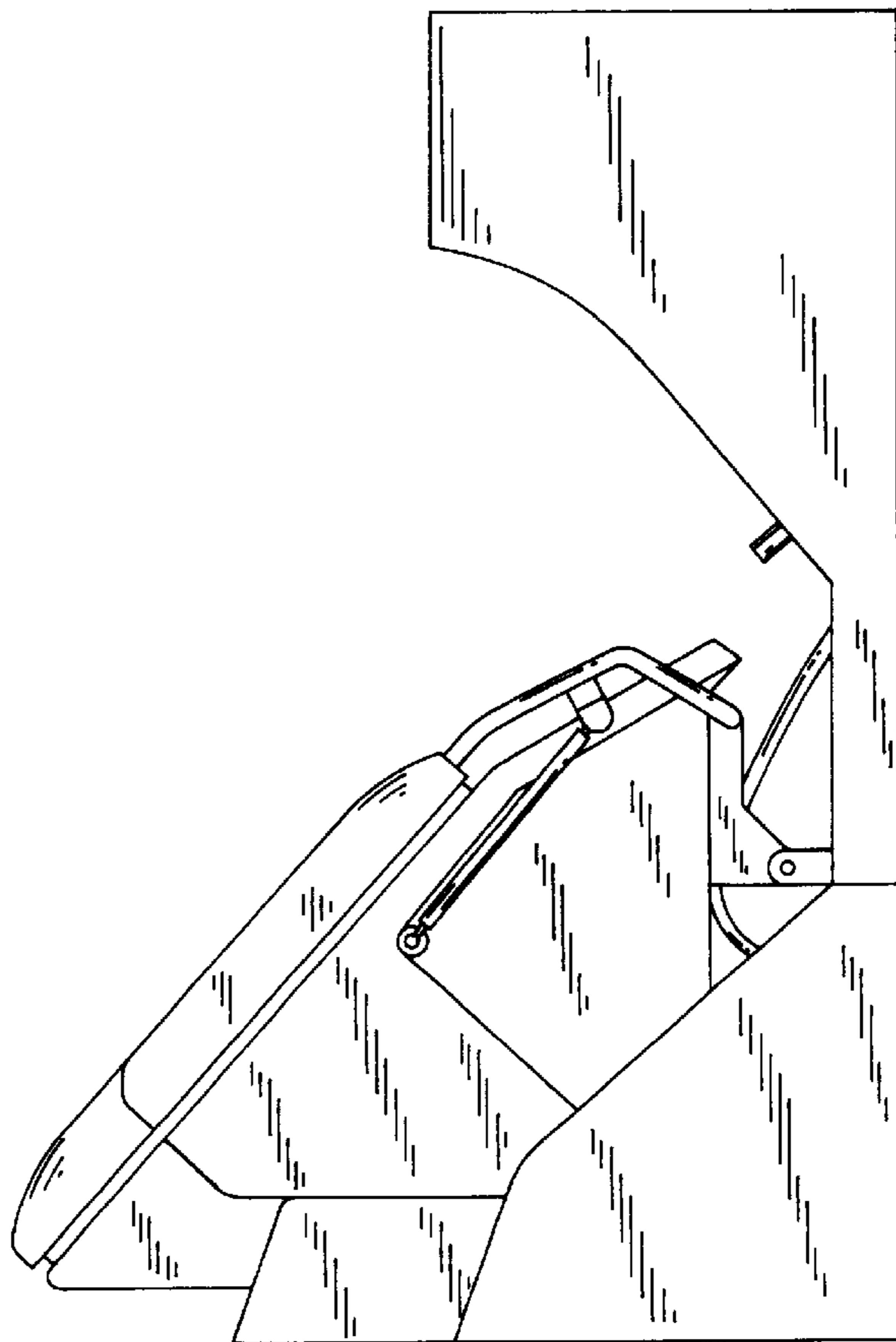


FIG. 5

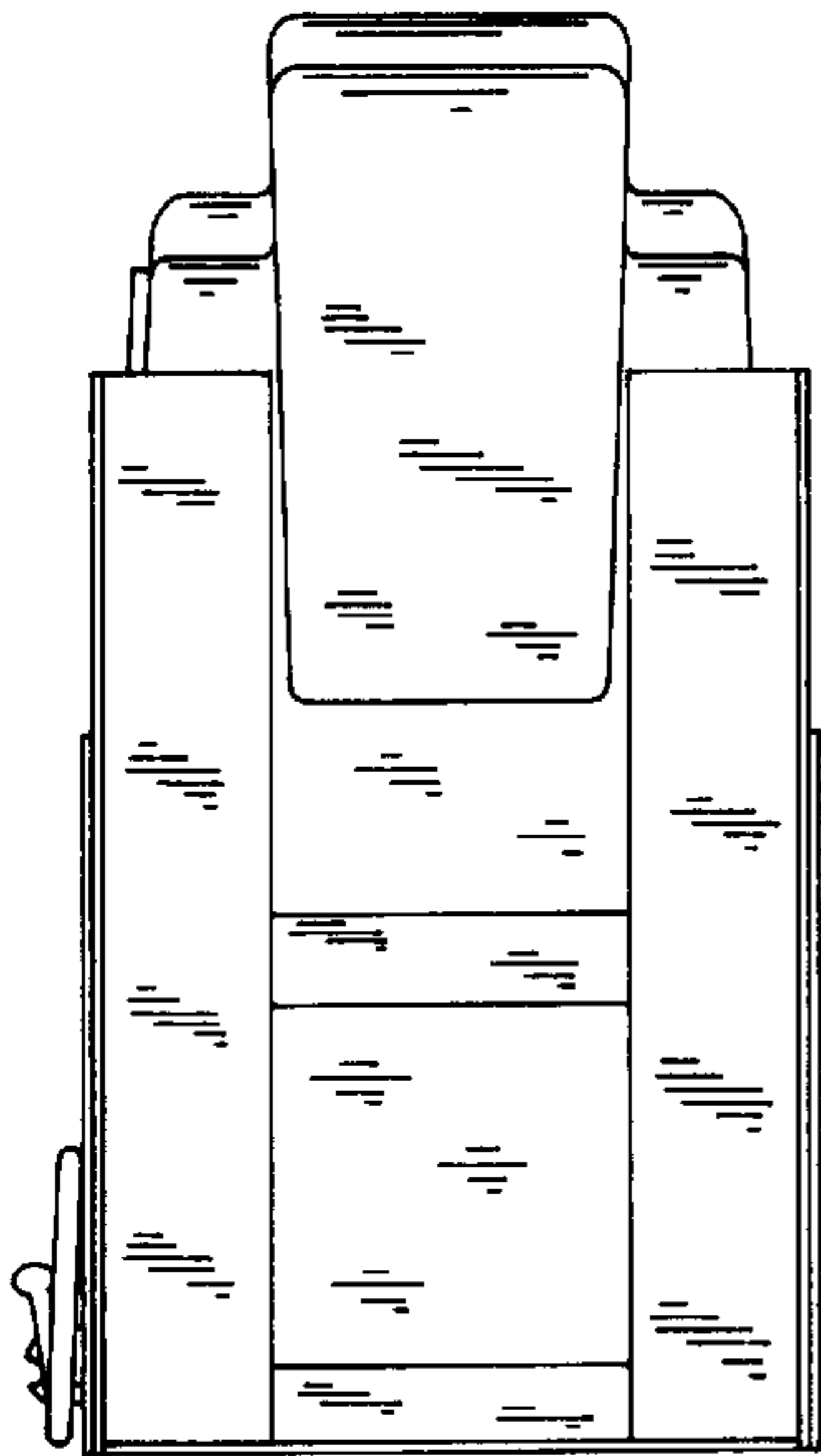


FIG. 6

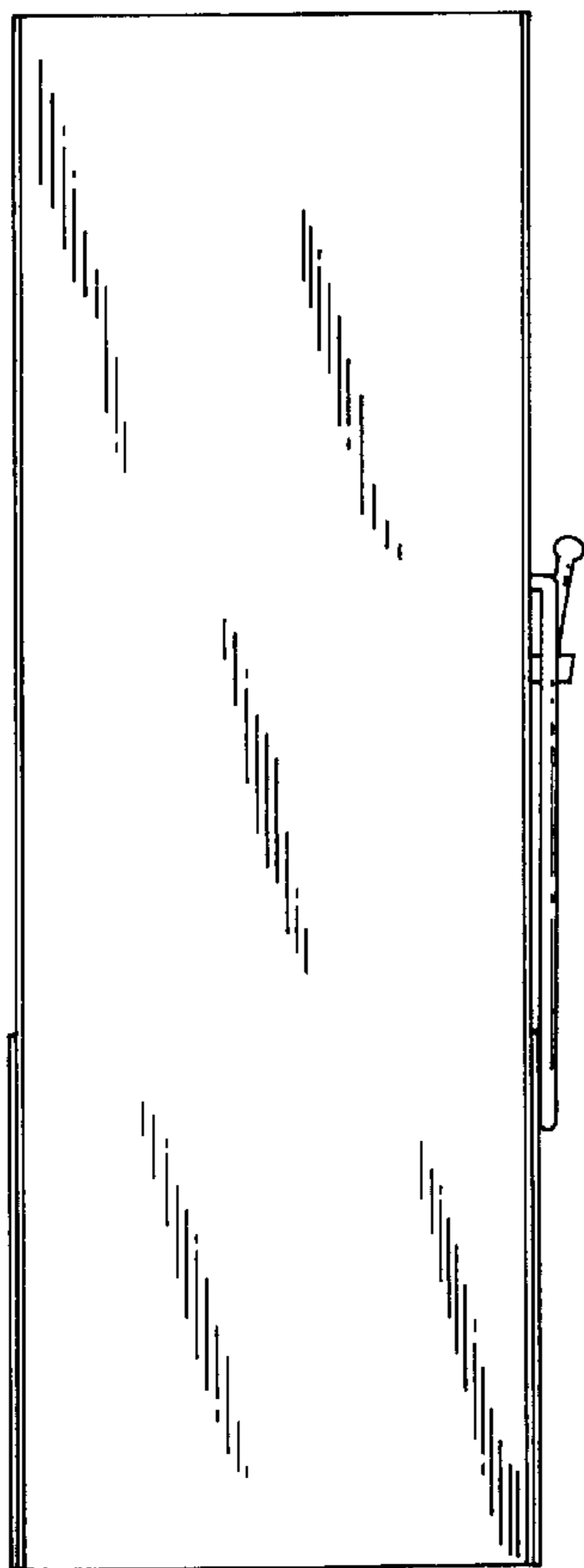


FIG. 7

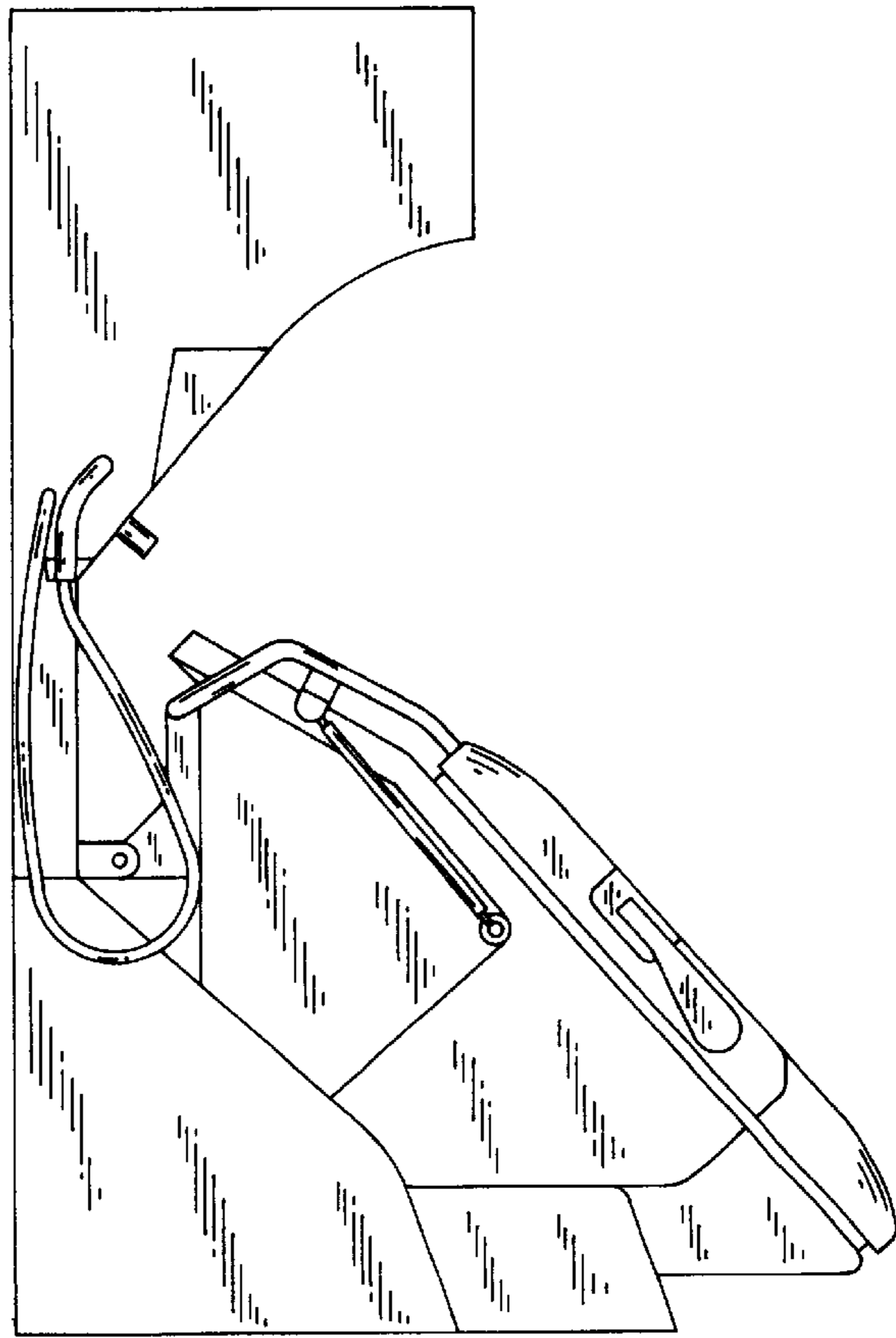


FIG. 8

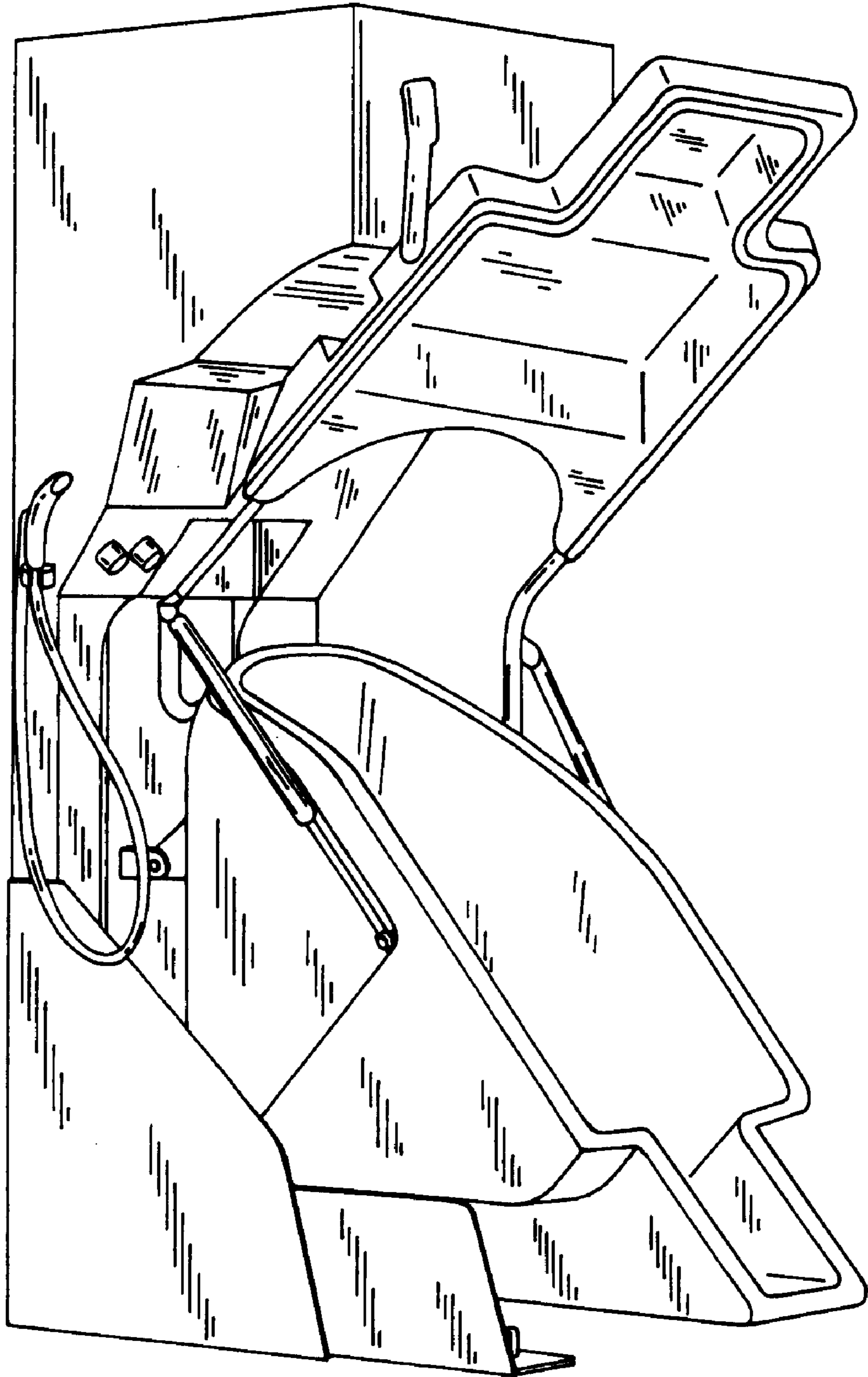


FIG. 9

