



US00D487923S

(12) **United States Design Patent**
Fraser et al.

(10) **Patent No.:** **US D487,923 S**

(45) **Date of Patent:** **** Mar. 30, 2004**

(54) **SPIGOT**

(75) Inventors: **Simon Fraser**, Wellington (NZ);
Ferdinand Alexander Porsche, Gries
(AT); **Christian Schwamkrug**, Zell am
See (AT)

(73) Assignee: **Friedrich Grohe AG & Co. KG**,
Hemer (DE)

(**) Term: **14 Years**

(21) Appl. No.: **29/179,672**

(22) Filed: **Apr. 11, 2003**

(30) **Foreign Application Priority Data**

Nov. 15, 2002 (DE) 4 02 09 502

(51) **LOC (7) Cl.** **23-01**

(52) **U.S. Cl.** **D23/255; D23/238**

(58) **Field of Search** **D23/238-257;**
4/675-678; 137/801

(56) **References Cited**

U.S. PATENT DOCUMENTS

D285,597 S * 9/1986 Miller et al. D23/241

D440,633 S * 4/2001 Fleischmann D23/238
D466,196 S * 11/2002 Otero et al. D23/255
D477,054 S * 7/2003 Schonherr et al. D23/242
D482,760 S * 11/2003 Fraser et al. D23/252

* cited by examiner

Primary Examiner—Louis S. Zarfes
Assistant Examiner—Gregory Andoll
(74) *Attorney, Agent, or Firm*—Herbert Dubno

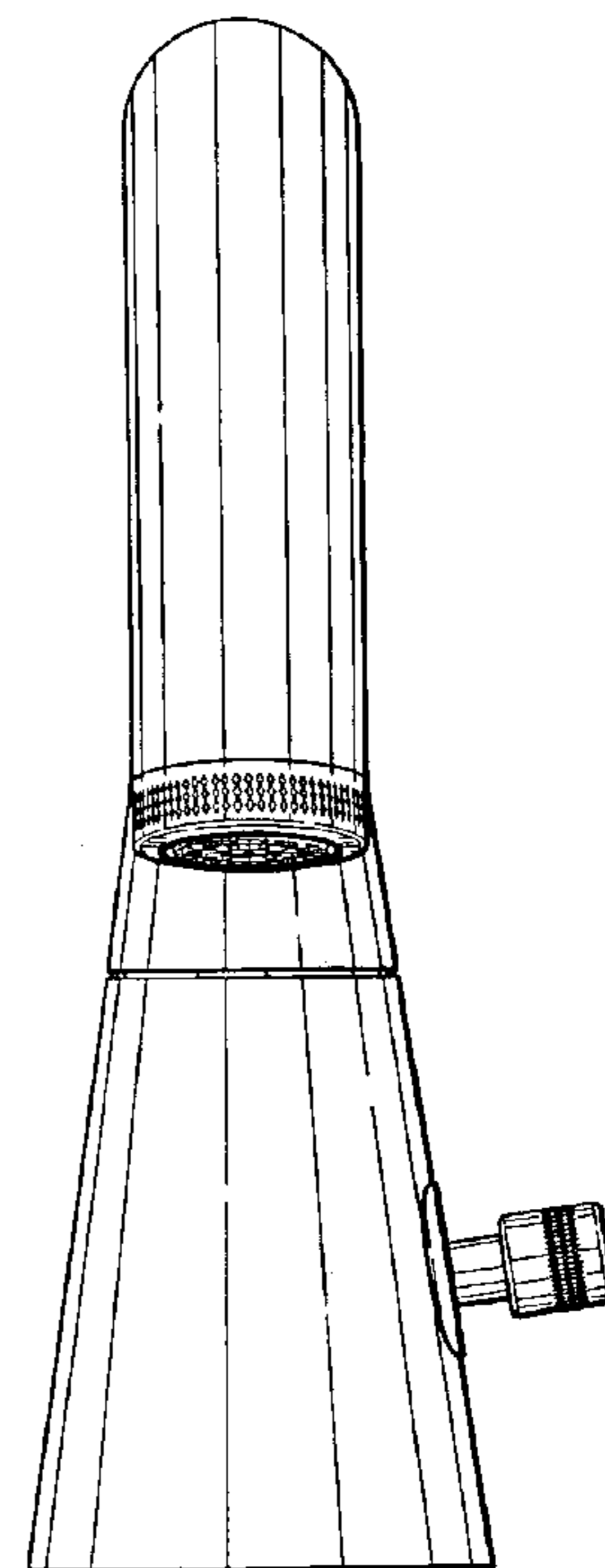
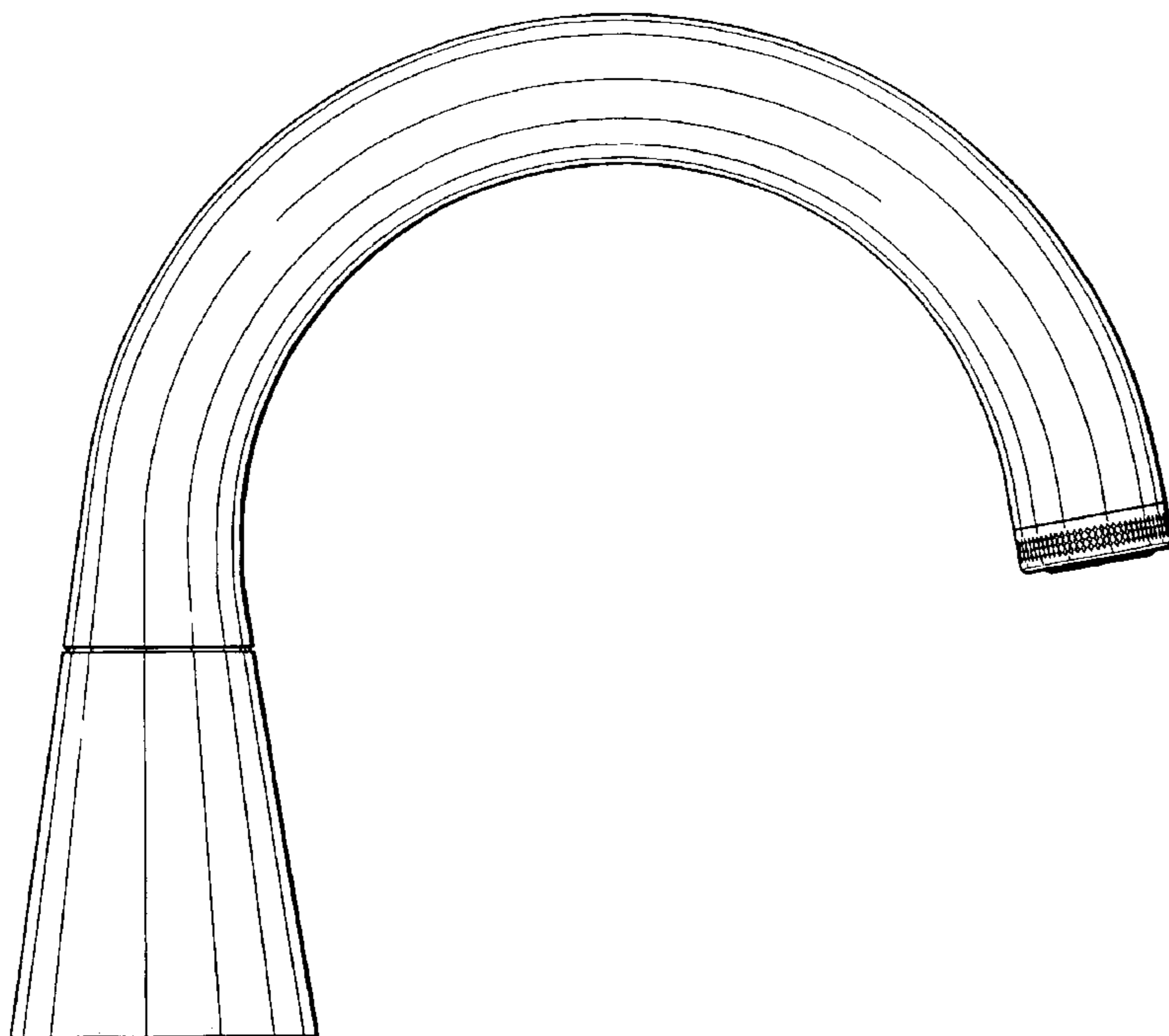
(57) **CLAIM**

The ornamental design for a spigot, as shown.

DESCRIPTION

FIG. 1 is a top, front, left-side perspective view of a spigot showing our new design;
FIG. 2 is a top plan view thereof;
FIG. 3 is a left side elevational view thereof;
FIG. 4 is a right side elevational view thereof;
FIG. 5 is a bottom plan view thereof;
FIG. 6 is a front elevational view thereof; and,
FIG. 7 is a rear elevational view thereof.

1 Claim, 4 Drawing Sheets



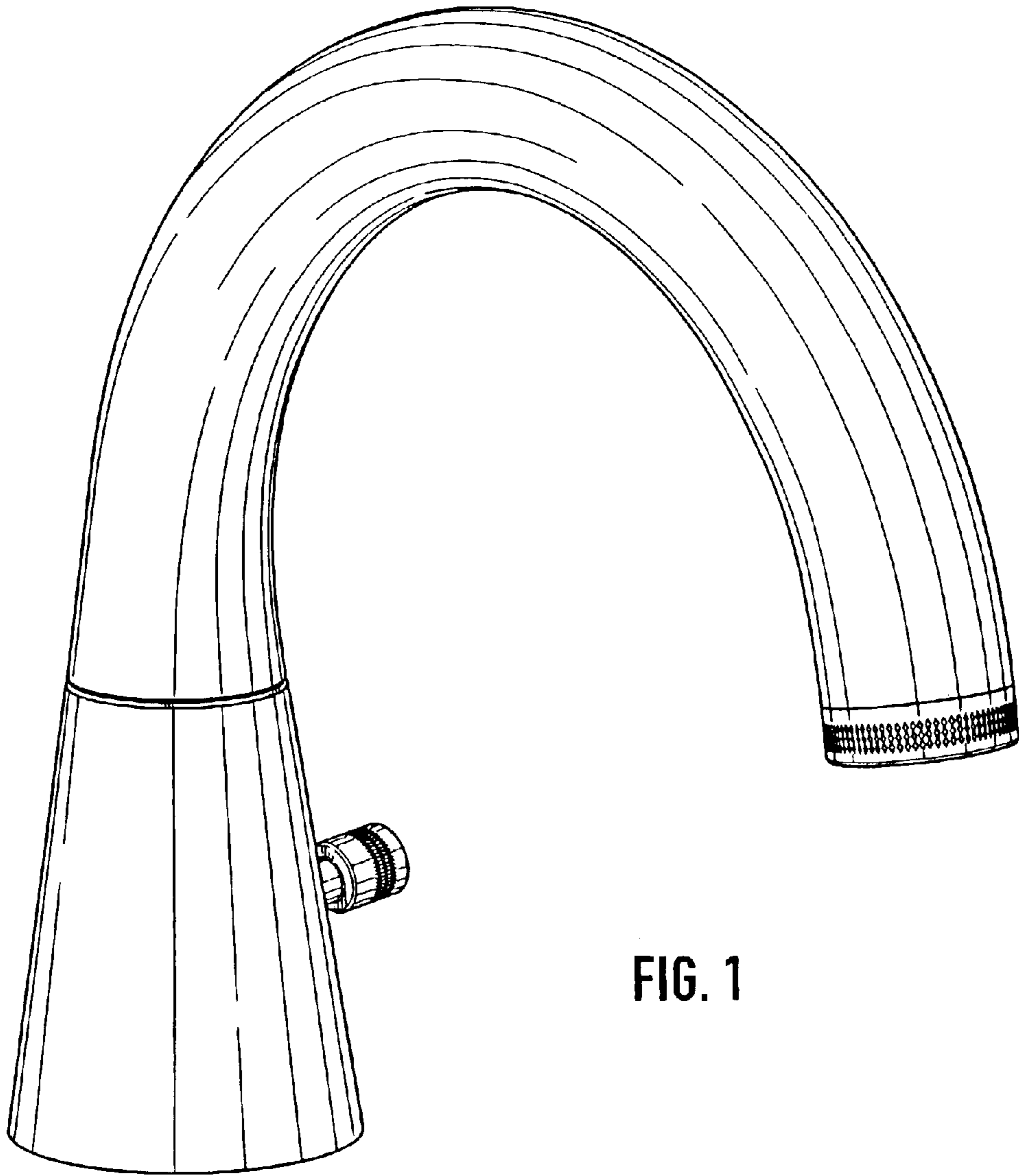


FIG. 1

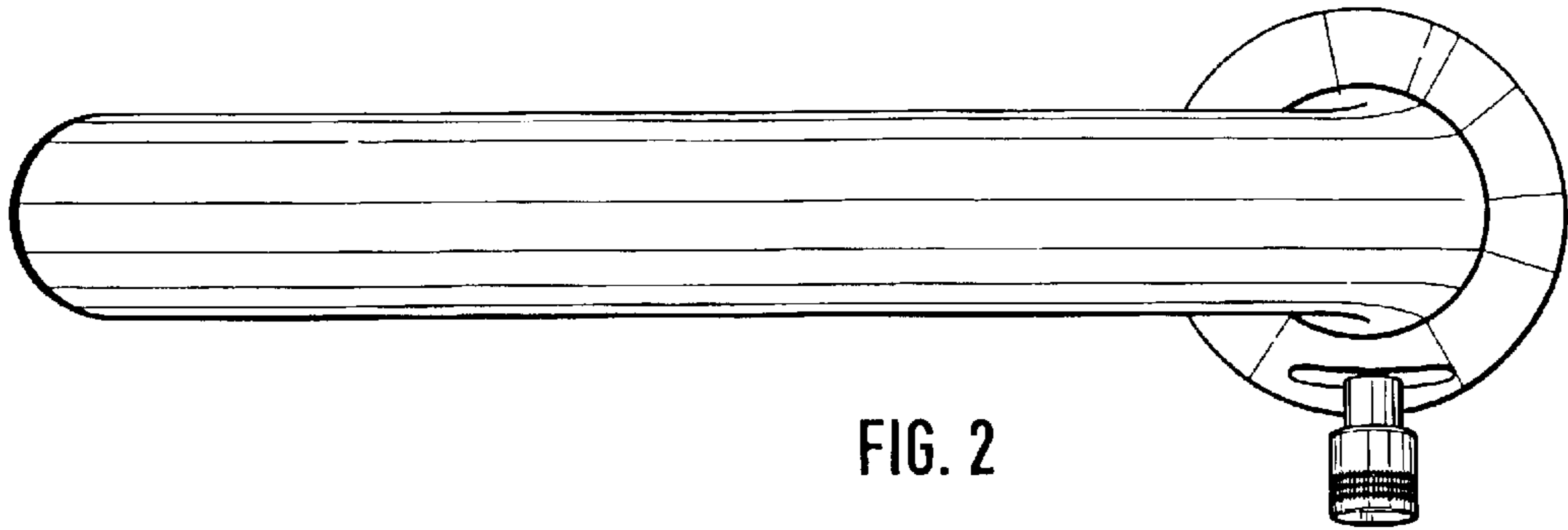


FIG. 2

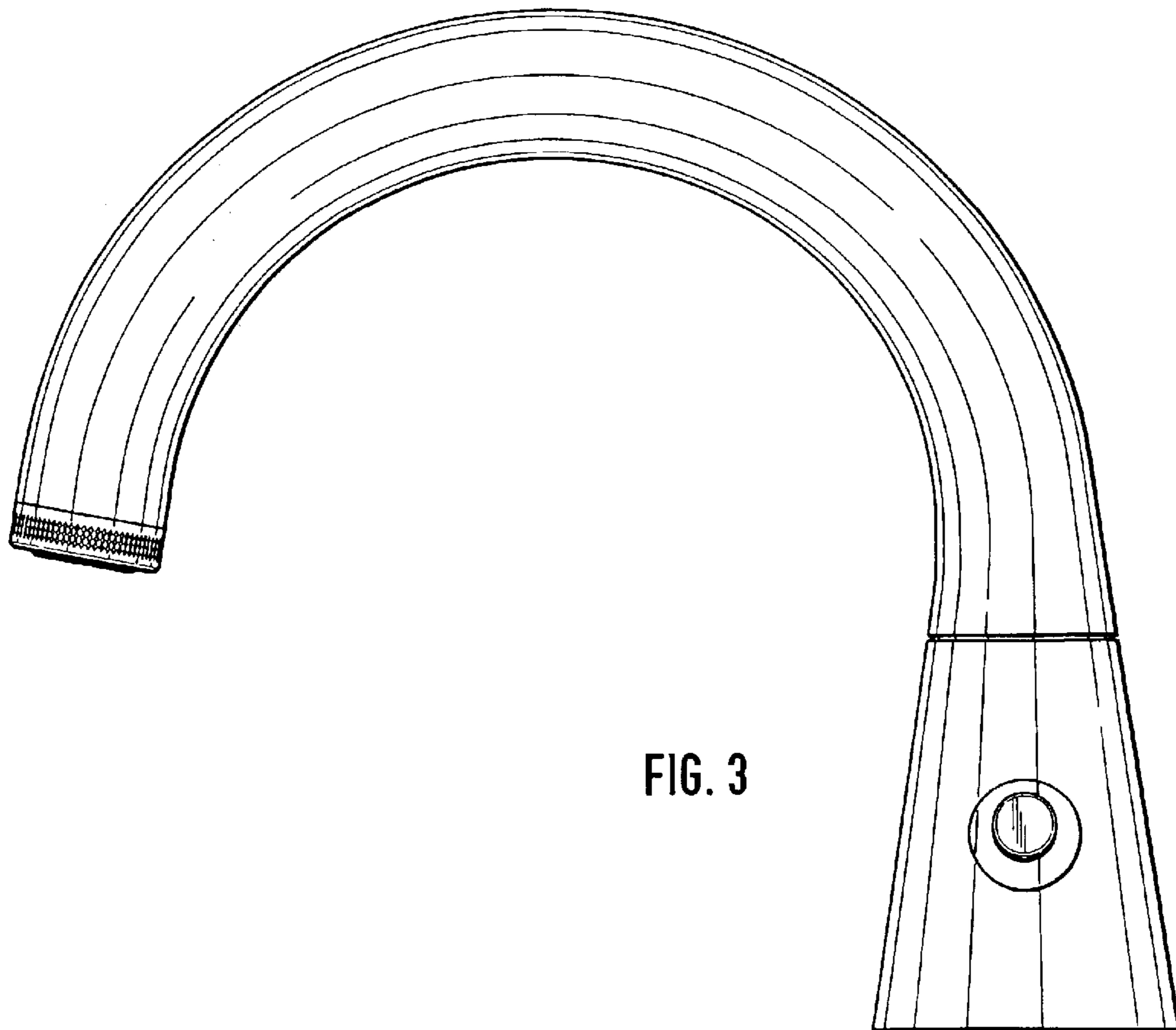


FIG. 3

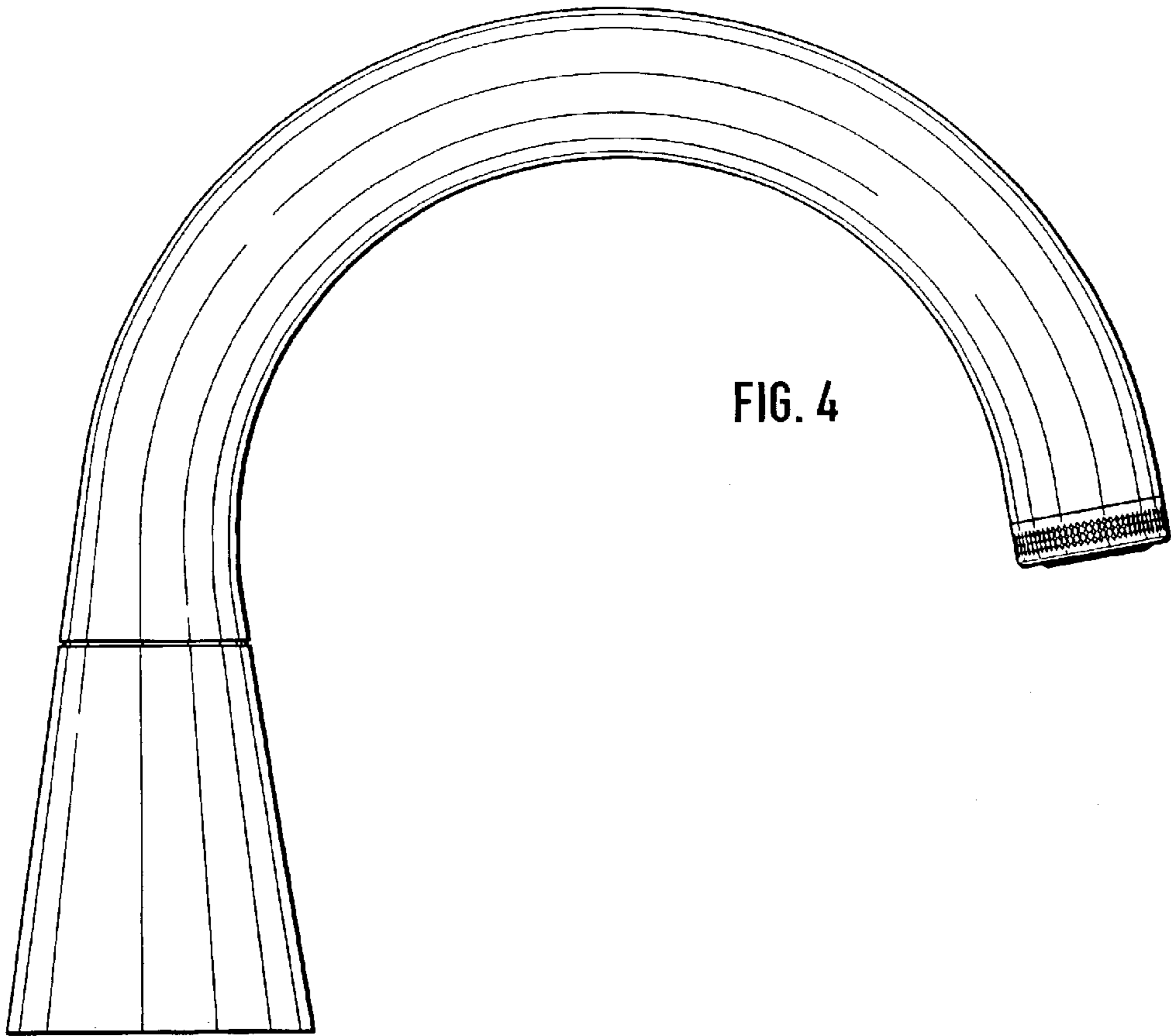


FIG. 4

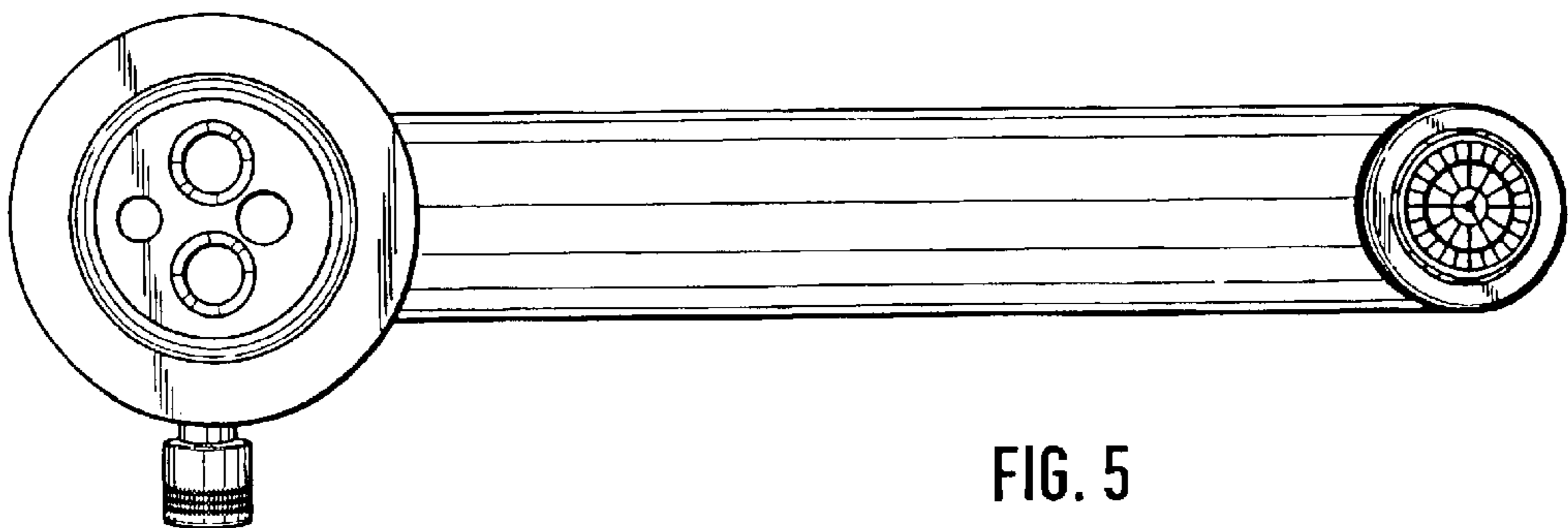


FIG. 5

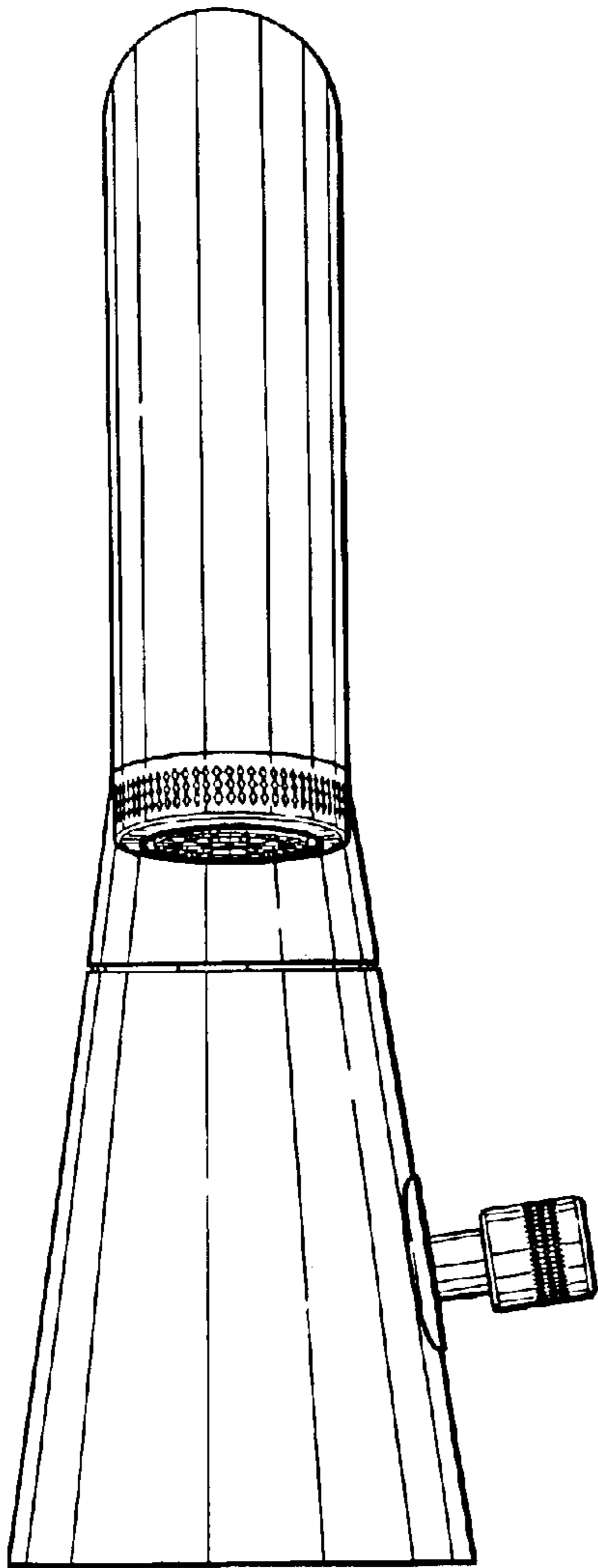


FIG. 6

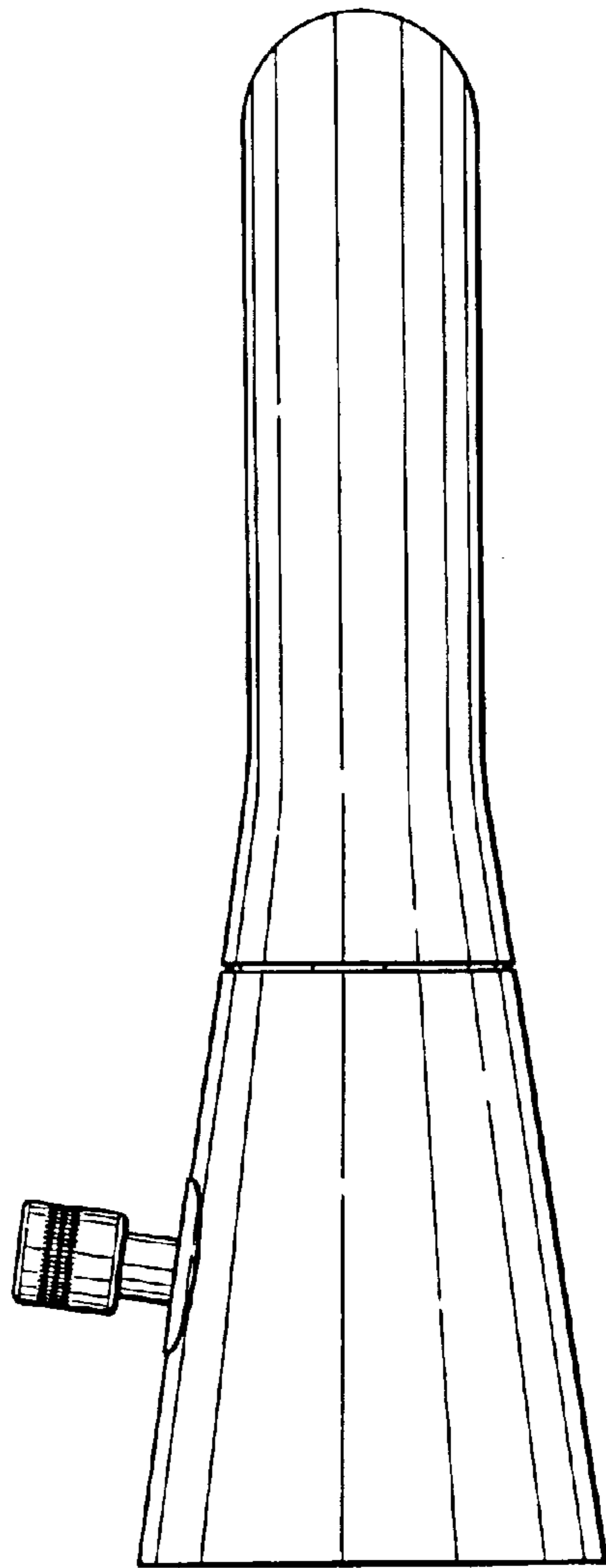


FIG. 7