



US00D487921S

(12) **United States Design Patent**
Spiegelberg et al.

(10) **Patent No.:** **US D487,921 S**

(45) **Date of Patent:** **** Mar. 30, 2004**

(54) **FAUCET**

(75) **Inventors:** **Todd A. Spiegelberg**, Oberlin, OH (US); **Lizabeth Dretzka**, Cleveland Heights, OH (US)

(73) **Assignee:** **Moen Incorporated**, North Olmsted, OH (US)

(**) **Term:** **14 Years**

(21) **Appl. No.:** **29/185,237**

(22) **Filed:** **Jun. 25, 2003**

(51) **LOC (7) Cl.** **23-01**

(52) **U.S. Cl.** **D23/241; D23/238**

(58) **Field of Search** **D23/238-257; 4/675-678; 137/801**

(56) **References Cited**

U.S. PATENT DOCUMENTS

D363,974 S * 11/1995 Doughty et al. D23/241

D460,525 S * 7/2002 Green et al. D23/241

D461,541 S * 8/2002 Singtoroj D23/255

D478,157 S * 8/2003 Yegyayan D23/255

* cited by examiner

Primary Examiner—Louis S. Zarfes

Assistant Examiner—Gregory Andoll

(74) *Attorney, Agent, or Firm*—Calfee, Halter Griswold LLP

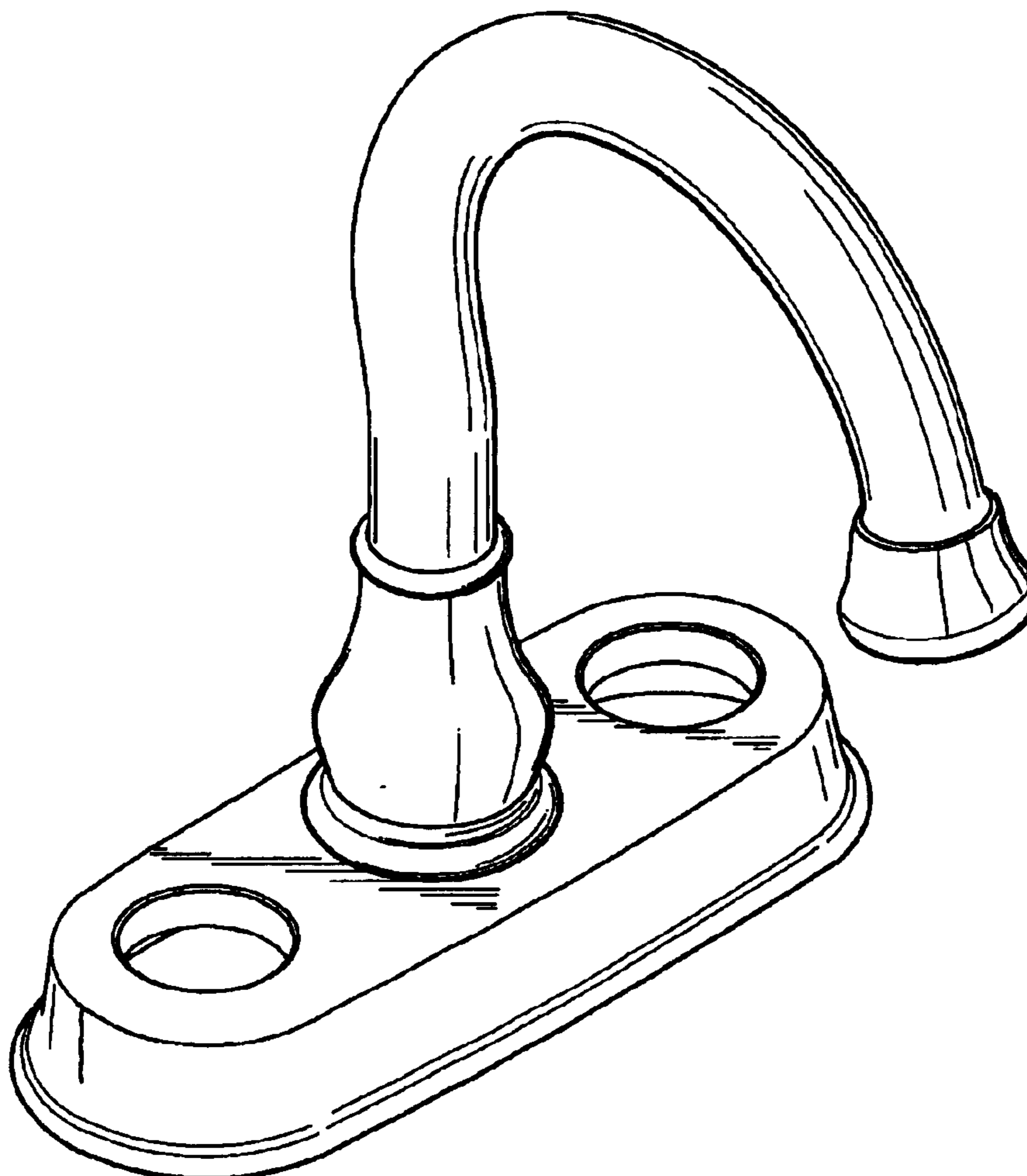
(57) **CLAIM**

The ornamental design for a faucet, as shown and described.

DESCRIPTION

FIG. 1 is a perspective view of our new design for a faucet; FIG. 2 is a front elevation view; FIG. 3 is a rear elevation view; FIG. 4 is a right side elevation view, the left side being a mirror image thereof; FIG. 5 is a top plan view; and, FIG. 6 is a bottom plan view.

1 Claim, 2 Drawing Sheets



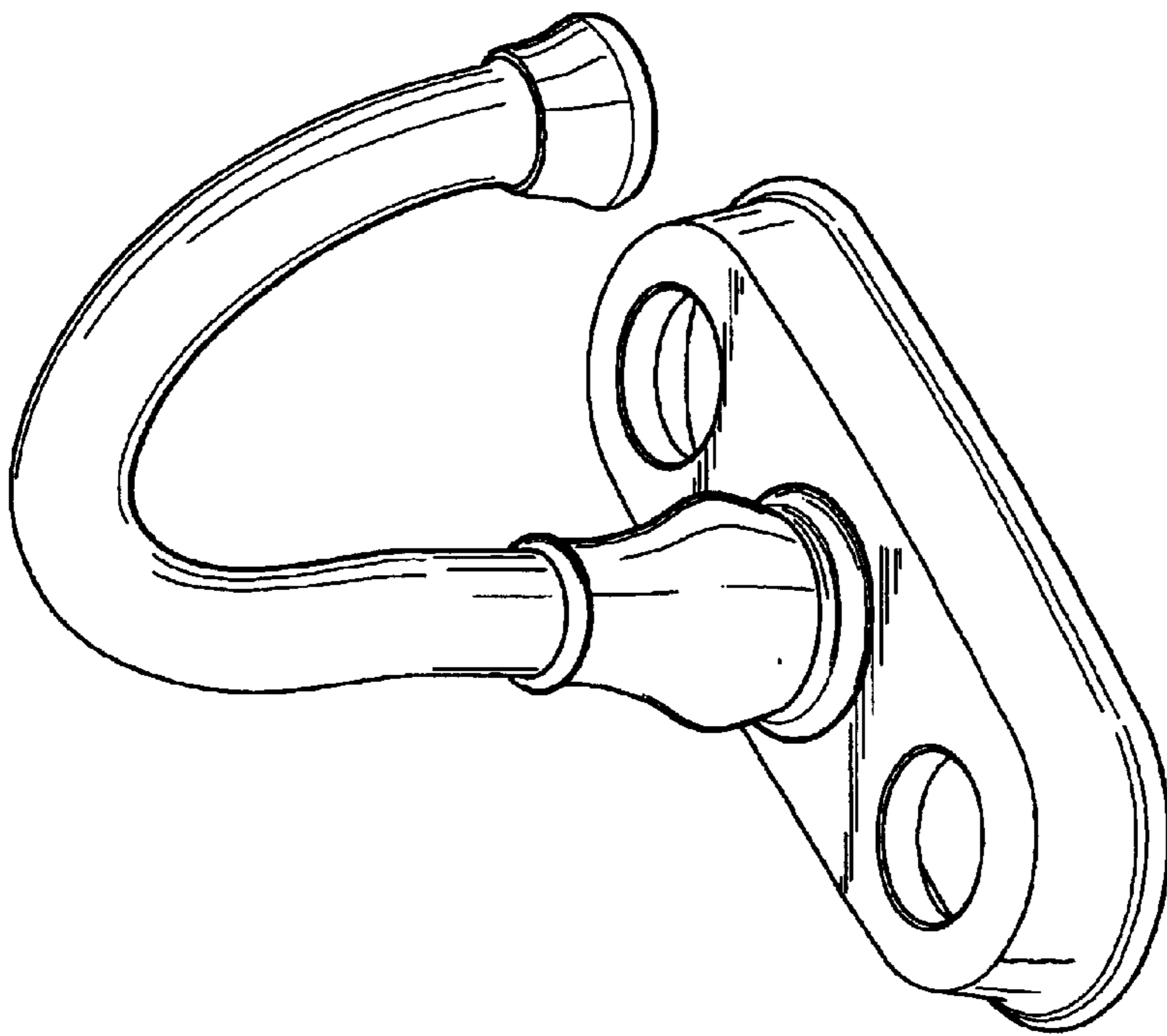


Fig. 1

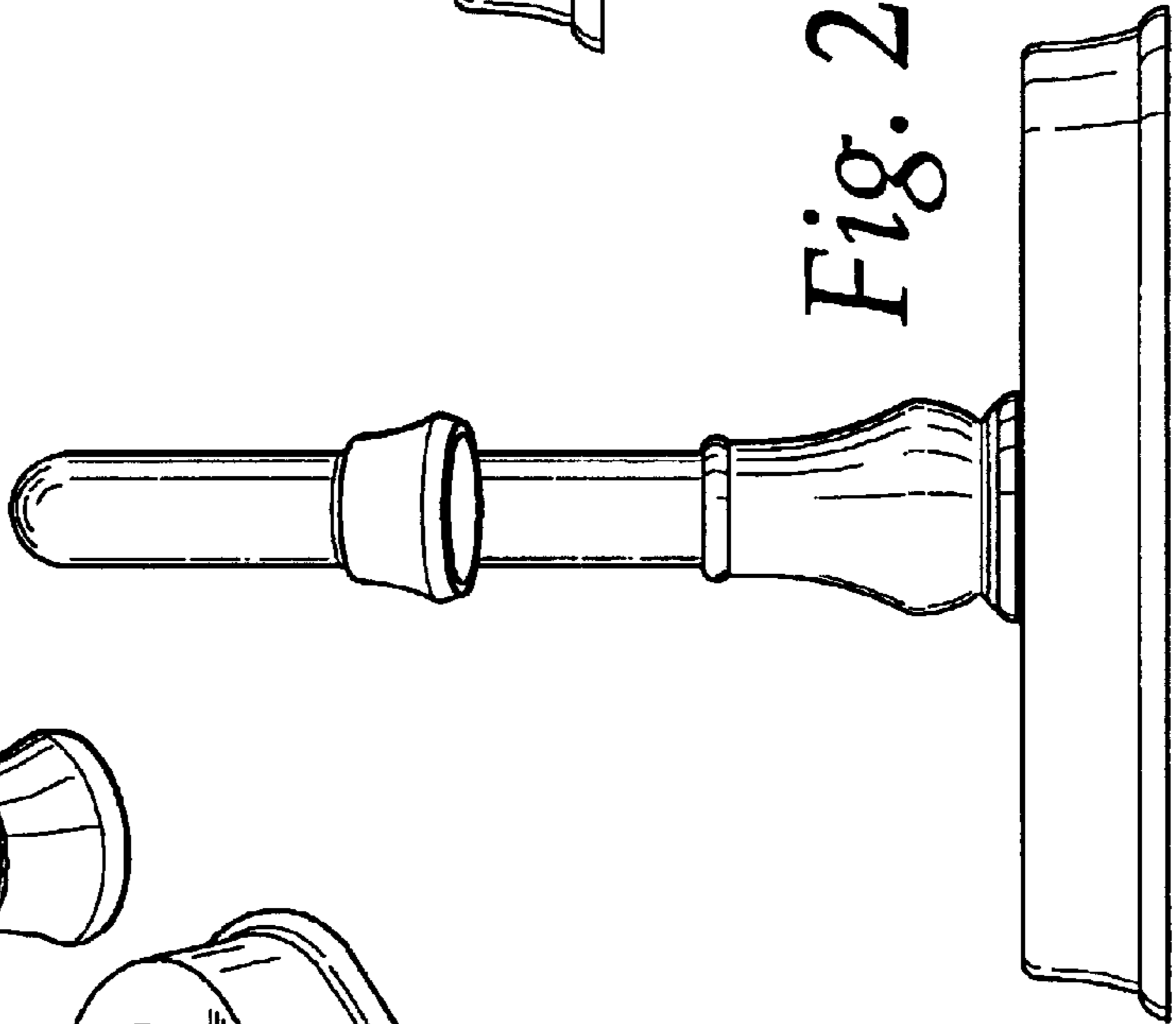


Fig. 2

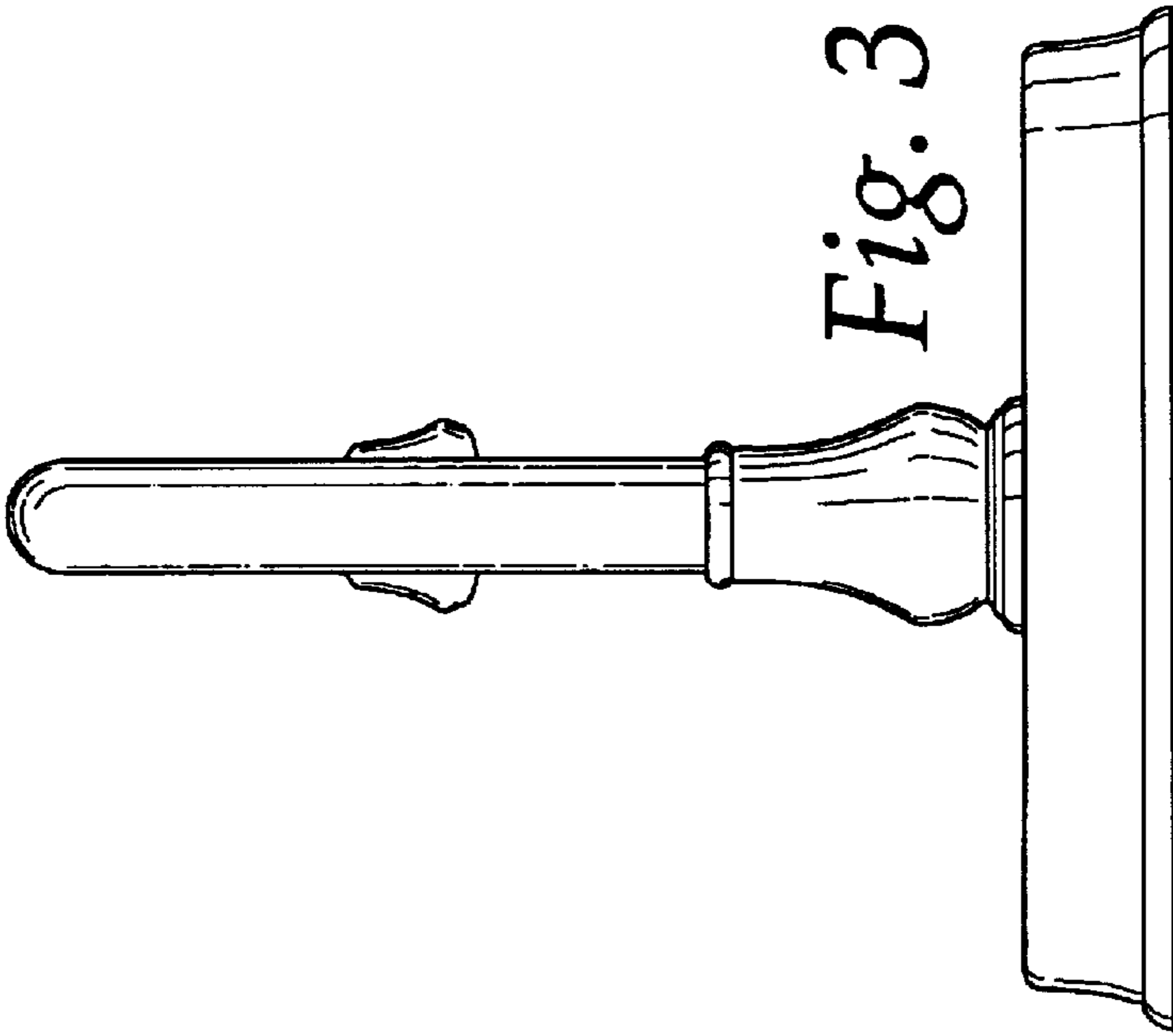


Fig. 3

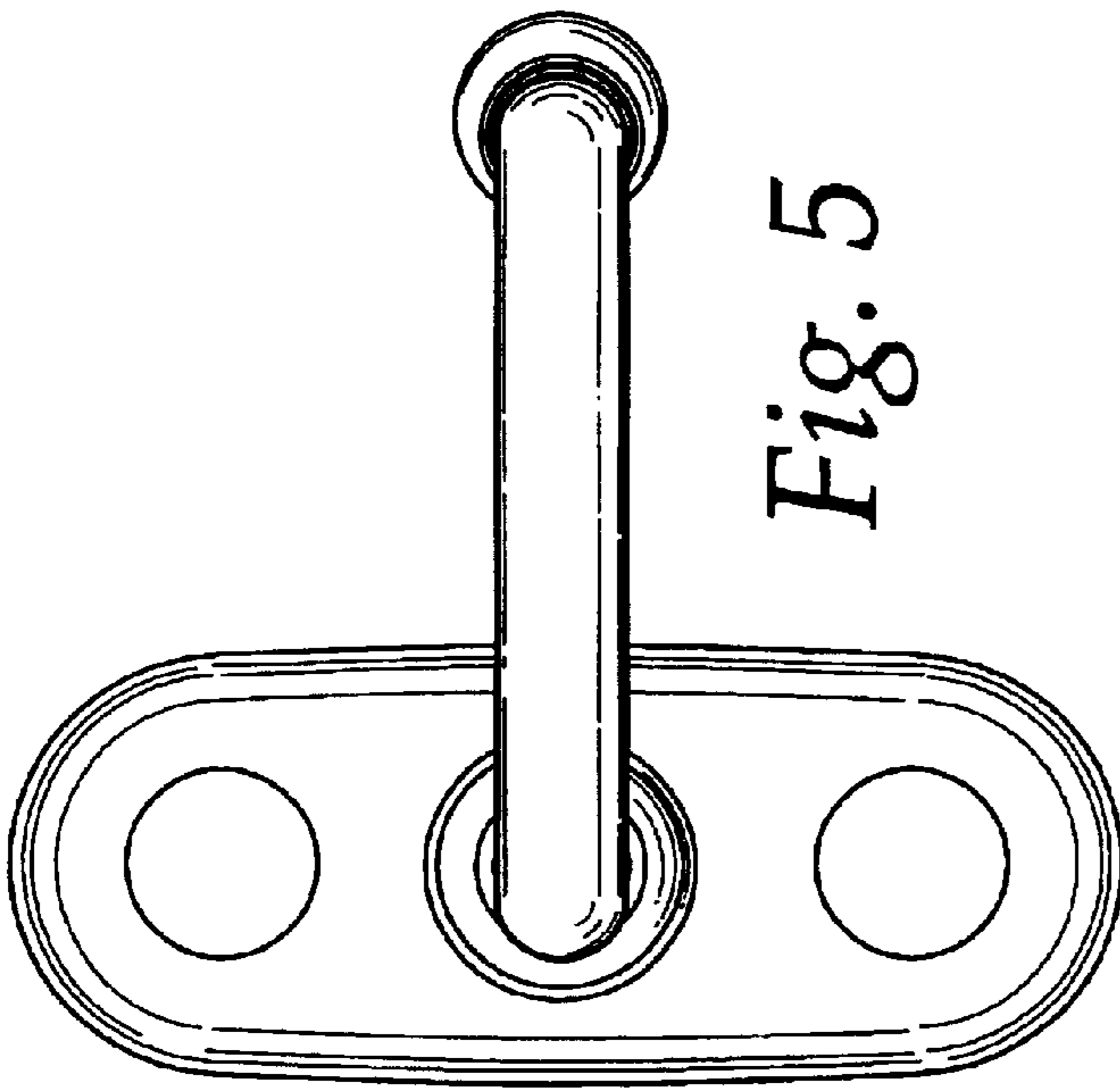


Fig. 5

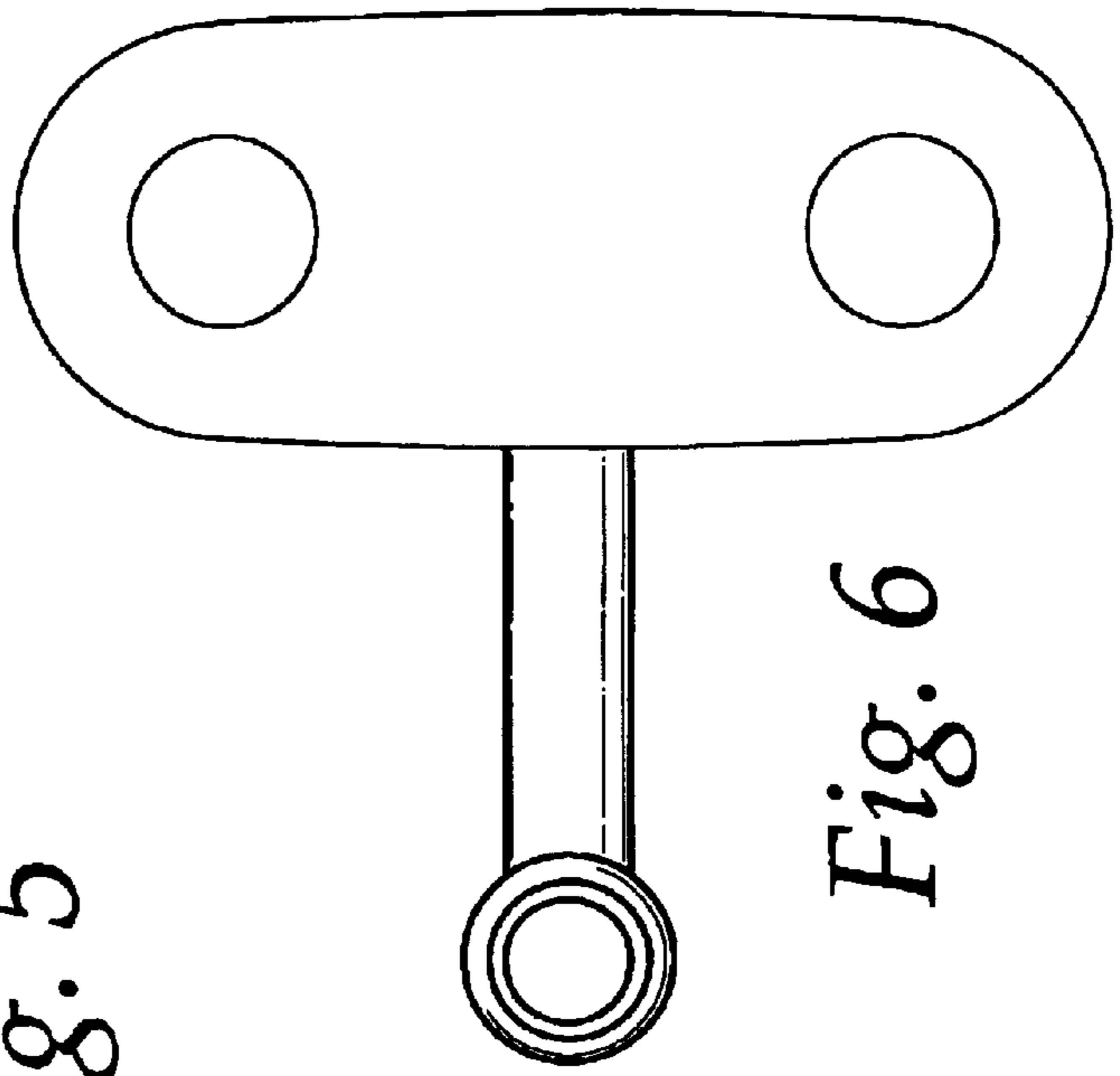


Fig. 6

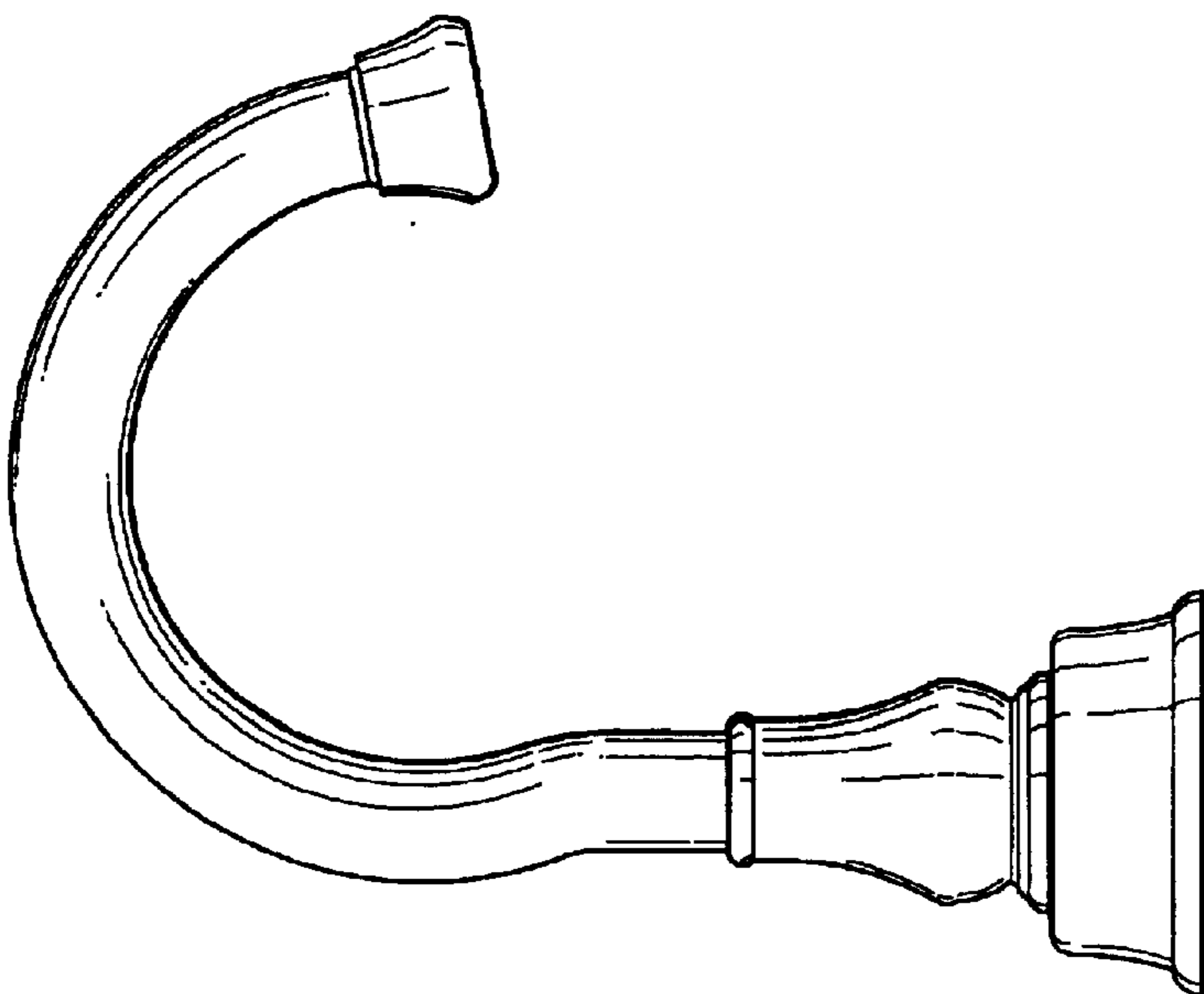


Fig. 4