



US00D487920S

(12) **United States Design Patent**  
**Lin**

(10) **Patent No.:** **US D487,920 S**

(45) **Date of Patent:** **\*\* Mar. 30, 2004**

(54) **FAUCET SET**

(75) **Inventor:** **Shih Hung Lin**, Taichung (TW)

(73) **Assignee:** **Globe Union Industrial Corp.**,  
Taichung Export Processing Zone (TW)

(\*\*) **Term:** **14 Years**

(21) **Appl. No.:** **29/183,938**

(22) **Filed:** **Jun. 20, 2003**

(51) **LOC (7) Cl.** ..... **23-01**

(52) **U.S. Cl.** ..... **D23/241; D23/238**

(58) **Field of Search** ..... **D23/238-257;**  
**4/675-678; 137/801**

(56) **References Cited**

**U.S. PATENT DOCUMENTS**

D305,356 S	*	1/1990	Delepine	.....	D23/250
D428,965 S	*	8/2000	Slothower	.....	D23/238
D437,631 S	*	2/2001	Robbins	.....	D23/242
D461,532 S	*	8/2002	Ouyoung	.....	D23/242

D471,256 S	*	3/2003	Friedrich	.....	D23/242
D474,834 S	*	5/2003	Czerwinski, Jr. et al.	..	D23/255
D478,371 S	*	8/2003	Ouyoung	.....	D23/238

\* cited by examiner

*Primary Examiner*—Louis S. Zarfaz

*Assistant Examiner*—Gregory Andoll

(74) *Attorney, Agent, or Firm*—Leong C. Lei

(57) **CLAIM**

The ornamental design for a faucet set, as shown and described.

**DESCRIPTION**

FIG. 1 is perspective view of a faucet set showing my new design;

FIG. 2 is a front side elevation view thereof;

FIG. 3 is a rear side elevation view thereof;

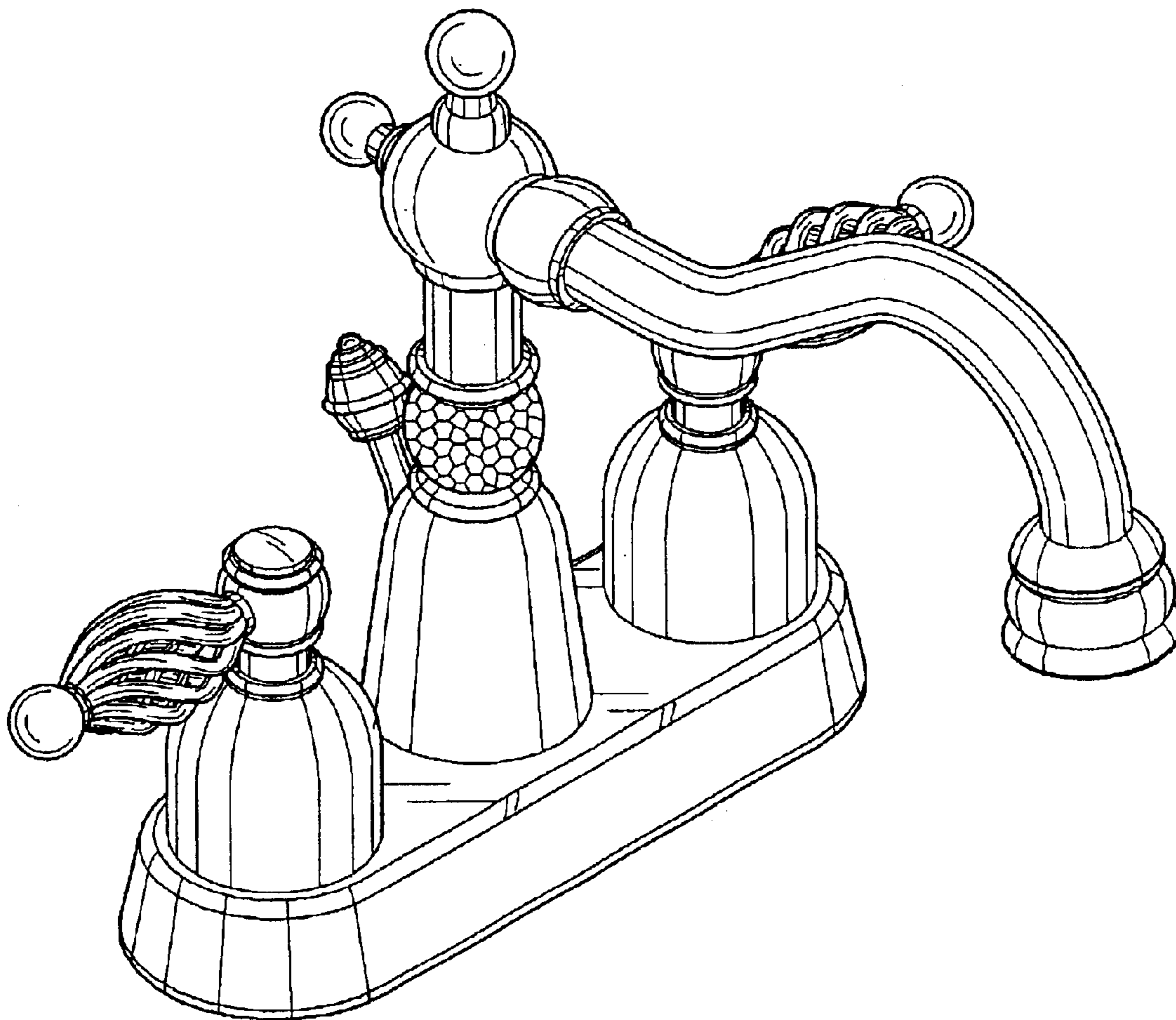
FIG. 4 is a left side elevation view thereof;

FIG. 5 is a right side elevation view thereof;

FIG. 6 is a top plan view thereof; and,

FIG. 7 is a bottom plan view thereof.

**1 Claim, 7 Drawing Sheets**



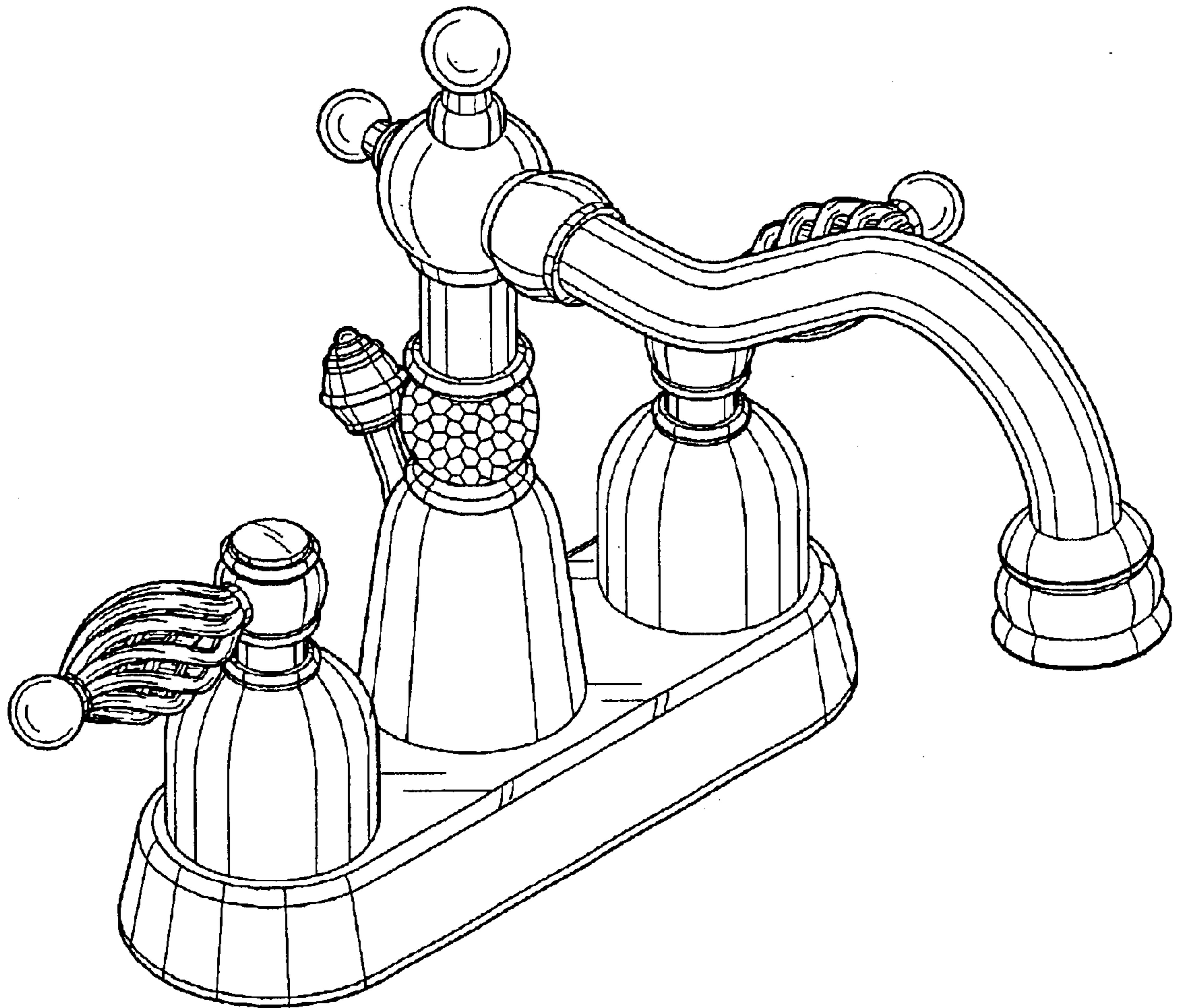


FIG. 1

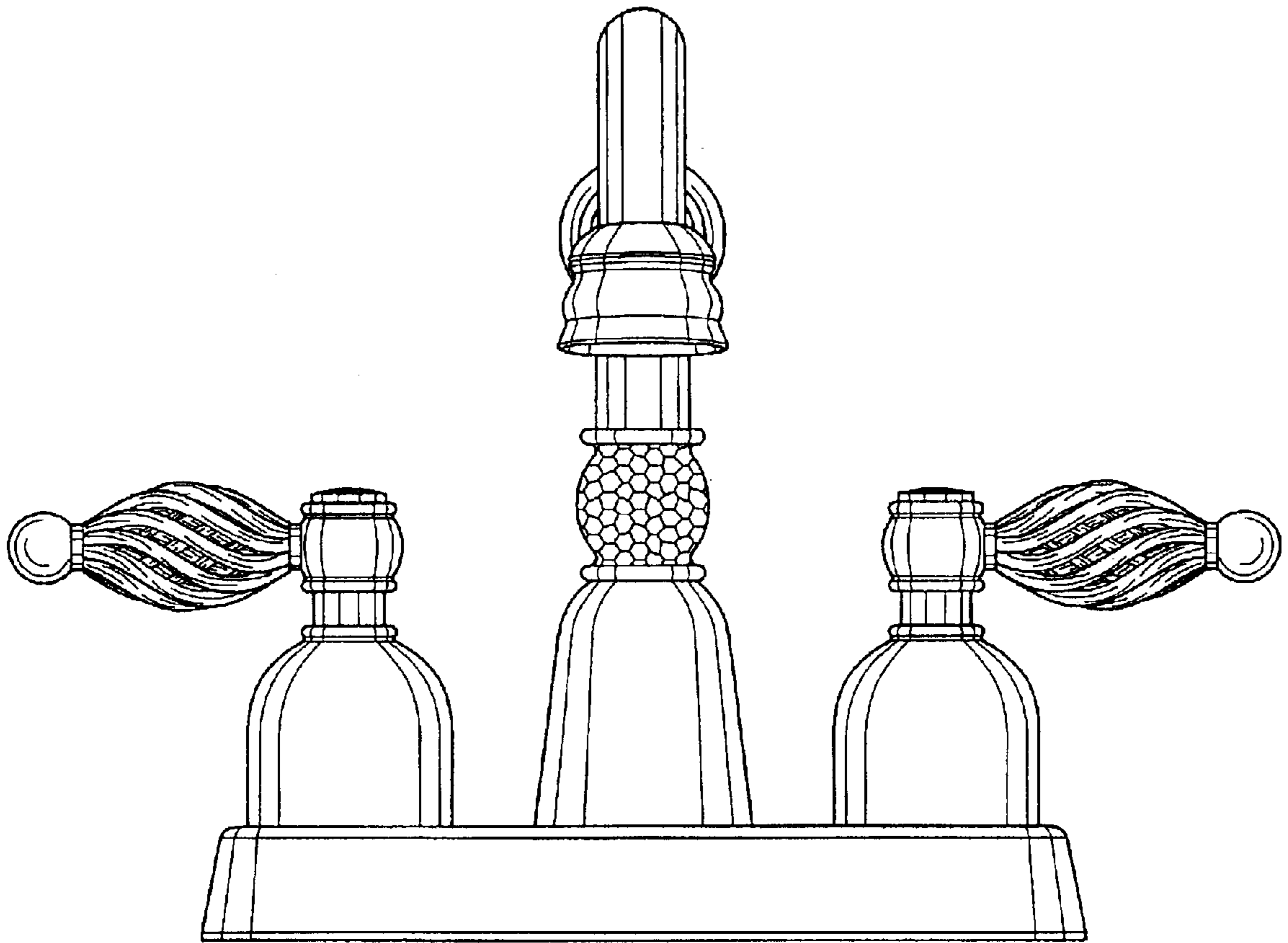


FIG. 2

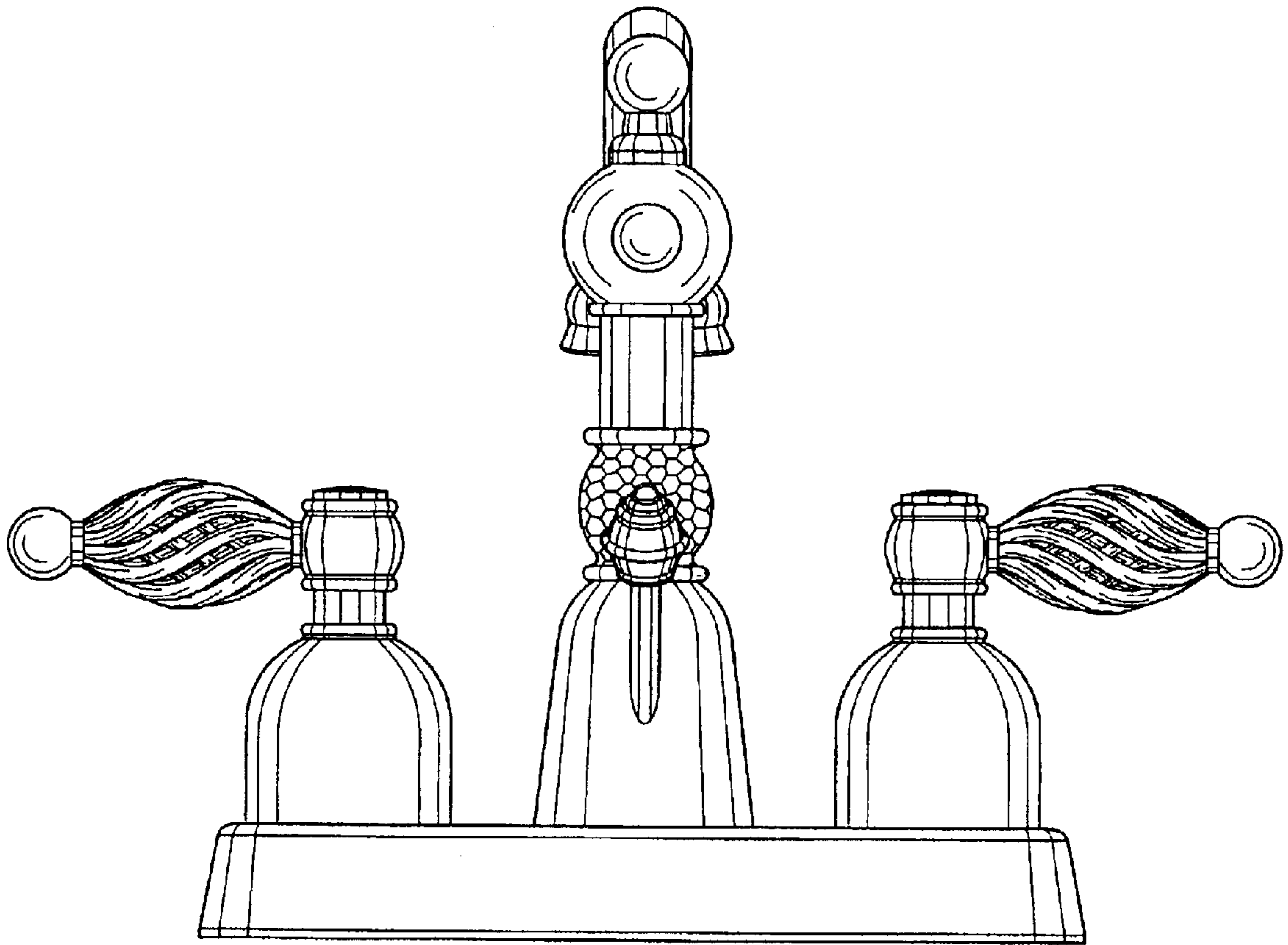


FIG. 3

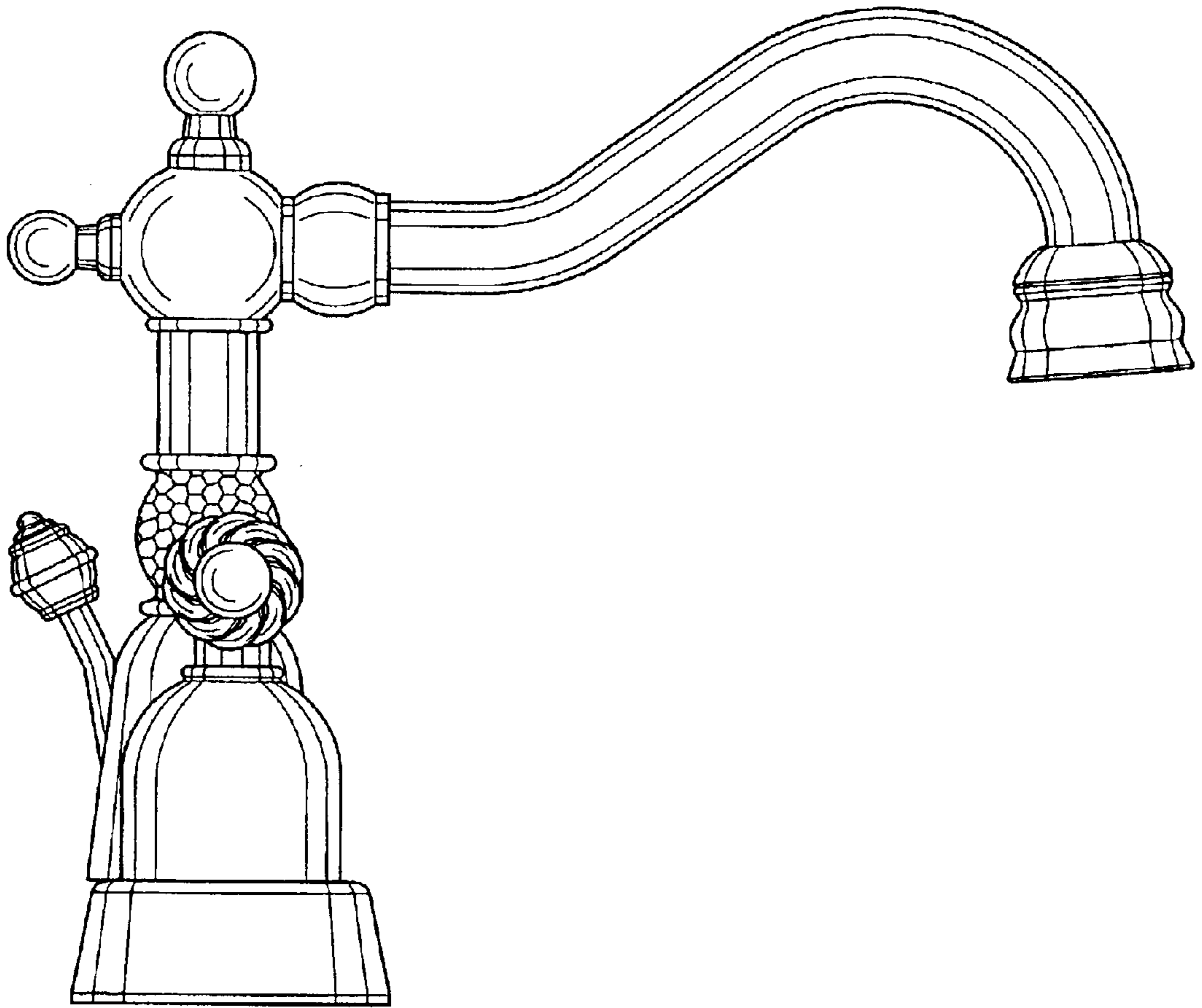


FIG. 4

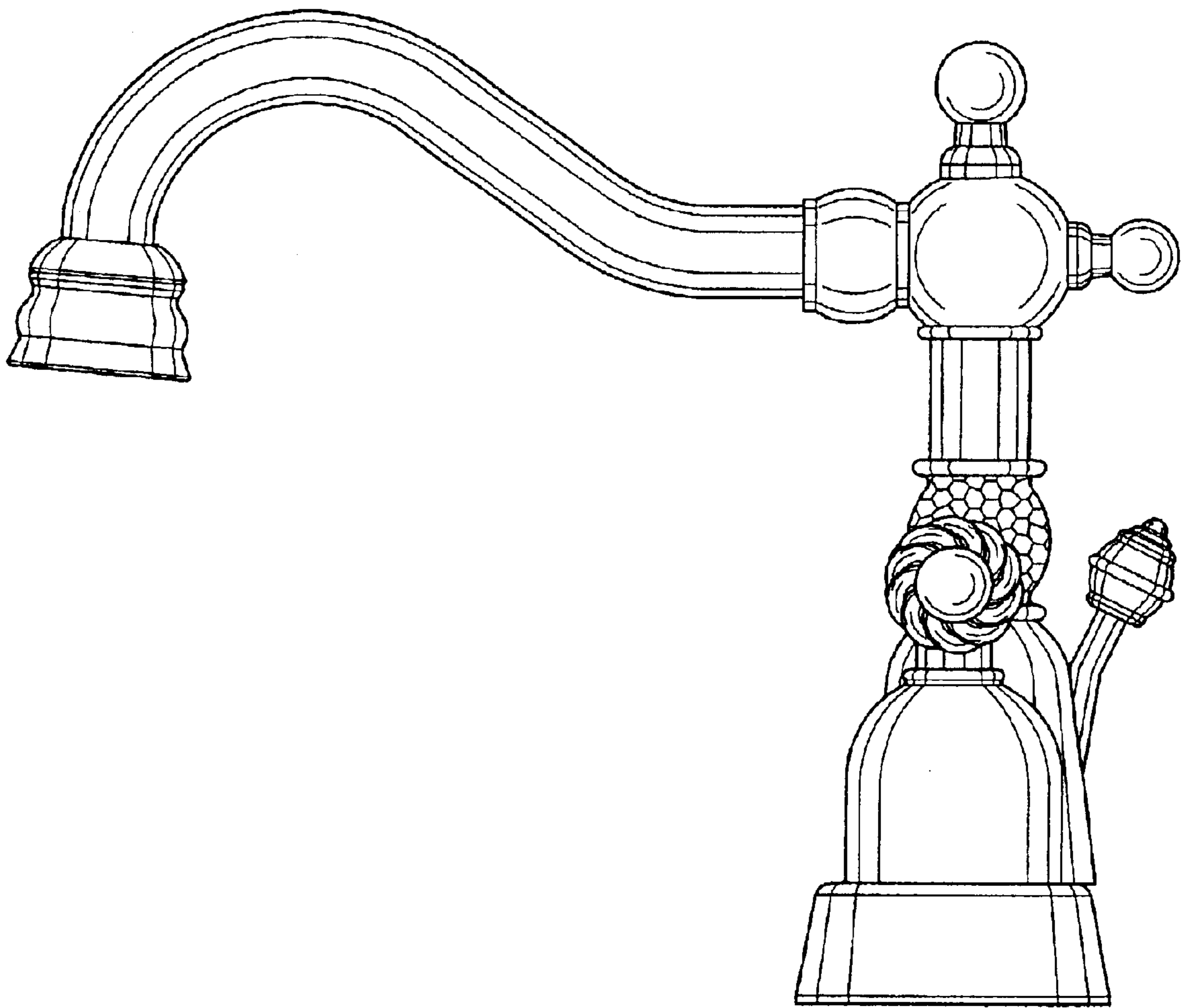


FIG. 5

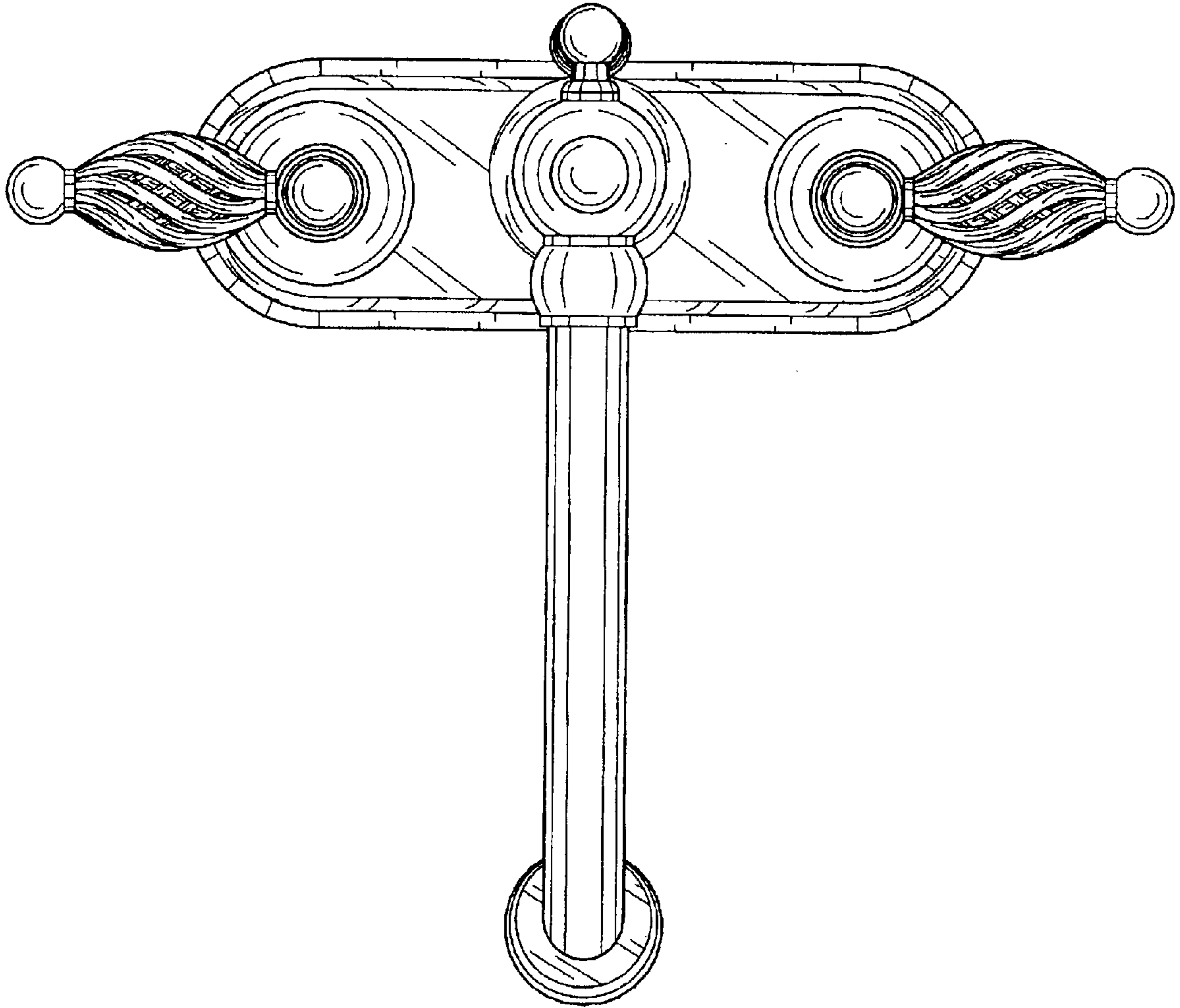


FIG. 6

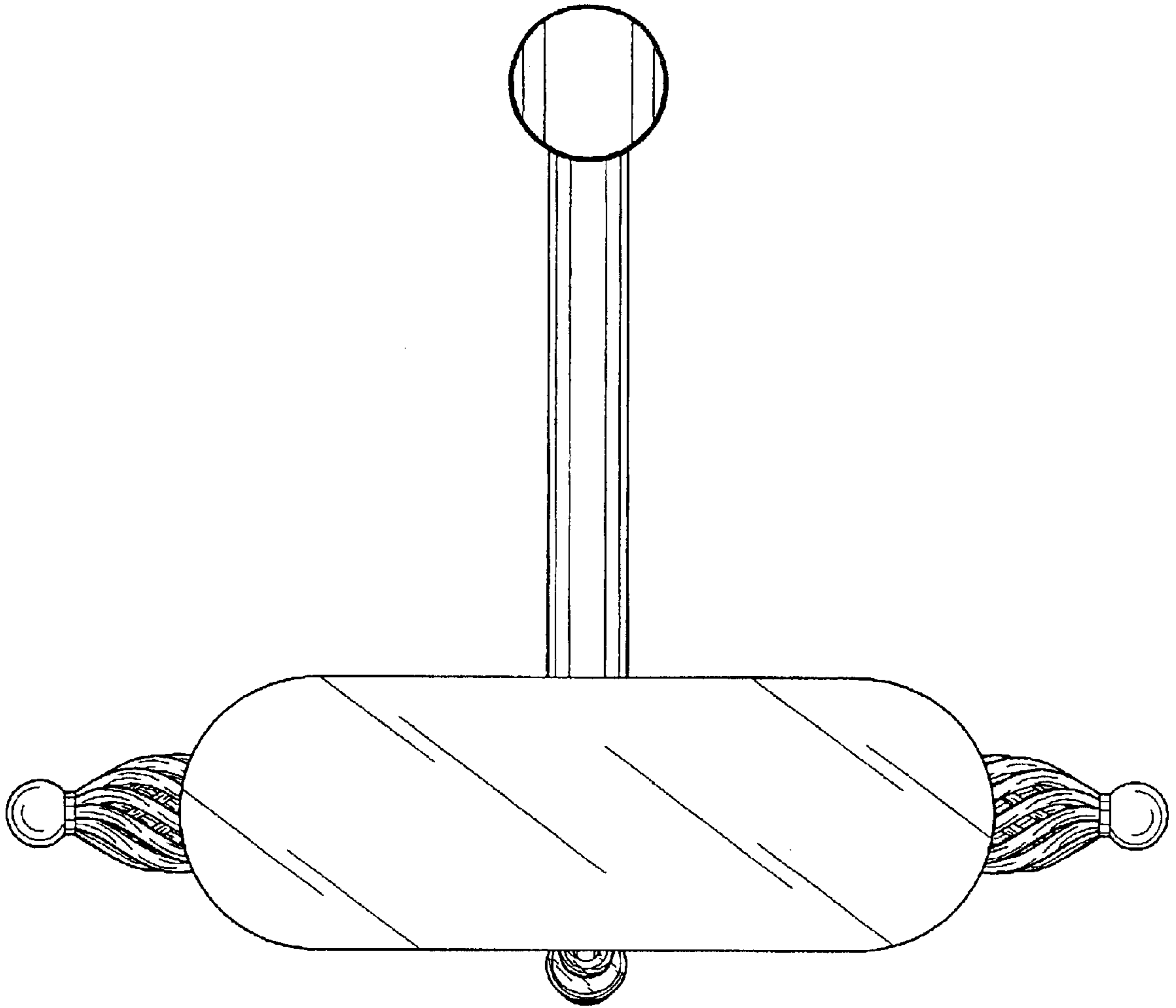


FIG. 7