



US00D487916S

(12) **United States Design Patent**  
**Lord**

(10) **Patent No.:** **US D487,916 S**

(45) **Date of Patent:** **\*\* Mar. 30, 2004**

(54) **FAUCET**

D474,834 S \* 5/2003 Czerwinski, Jr. et al. ... D23/255  
D478,371 S \* 8/2003 Ouyoung ..... D23/238

(75) **Inventor:** **Judd A. Lord**, Carmel, IN (US)

\* cited by examiner

(73) **Assignee:** **Masco Corporation of Indiana**,  
Indianapolis, IN (US)

*Primary Examiner*—Louis S. Zarfes

*Assistant Examiner*—Gregory Andoll

(\*\*) **Term:** **14 Years**

(74) *Attorney, Agent, or Firm*—Kwadjo Adusei-Poku;  
Lloyd D. Doigan

(21) **Appl. No.:** **29/178,026**

(57) **CLAIM**

(22) **Filed:** **Mar. 20, 2003**

The ornamental design for a faucet, as shown and described.

(51) **LOC (7) Cl.** ..... **23-01**

**DESCRIPTION**

(52) **U.S. Cl.** ..... **D23/238; D23/255**

(58) **Field of Search** ..... **D23/238-257;**  
**4/675-678; 137/801**

FIG. 1 is a front perspective view of a faucet showing my new design;

FIG. 2 is a rear perspective view thereof;

FIG. 3 is a left side elevational view thereof;

FIG. 4 is a top plan view thereof;

FIG. 5 is a right side elevational view thereof;

FIG. 6 is a rear elevational view thereof;

FIG. 7 is a front elevational view thereof; and,

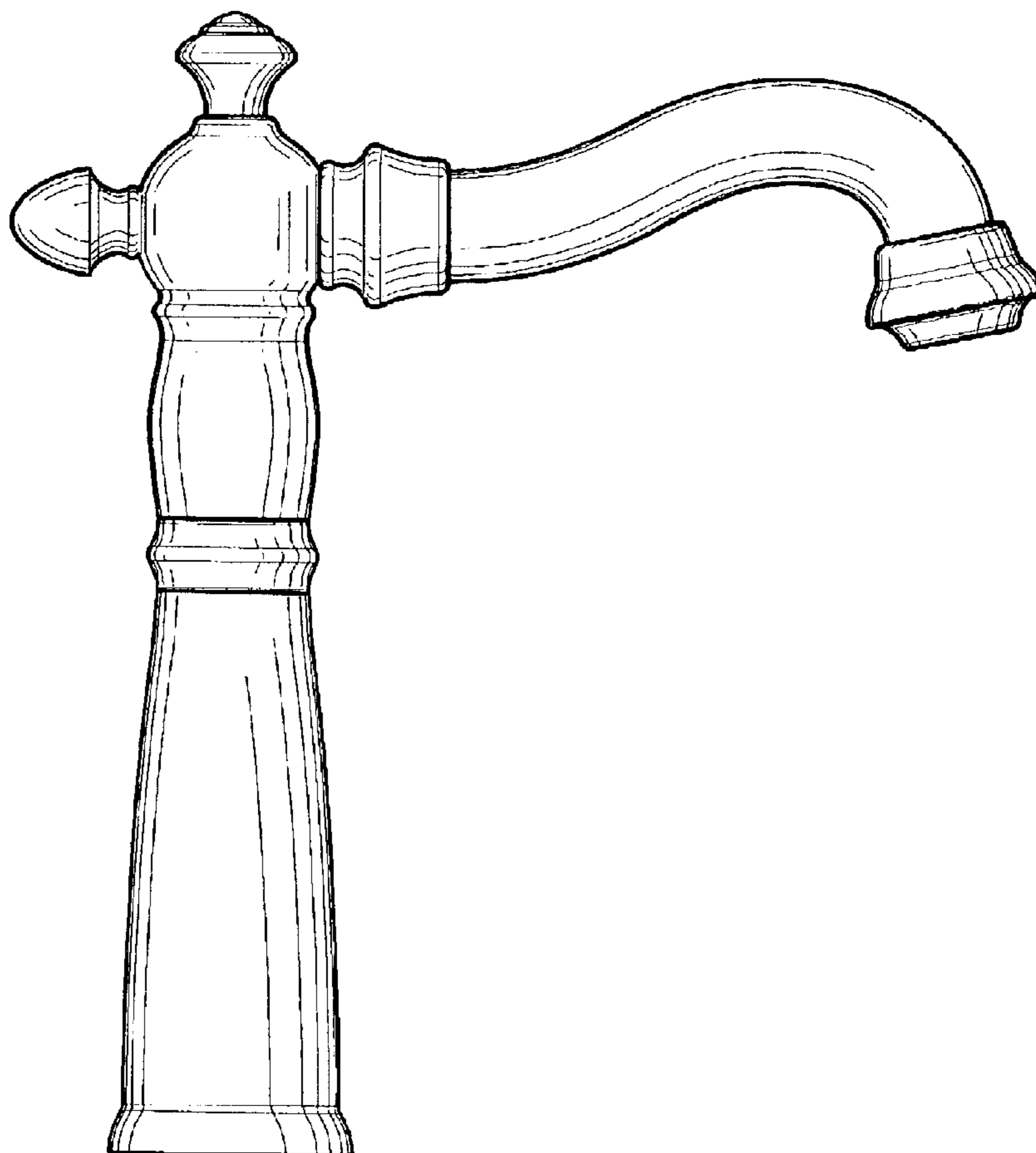
FIG. 8 is a bottom plan view thereof.

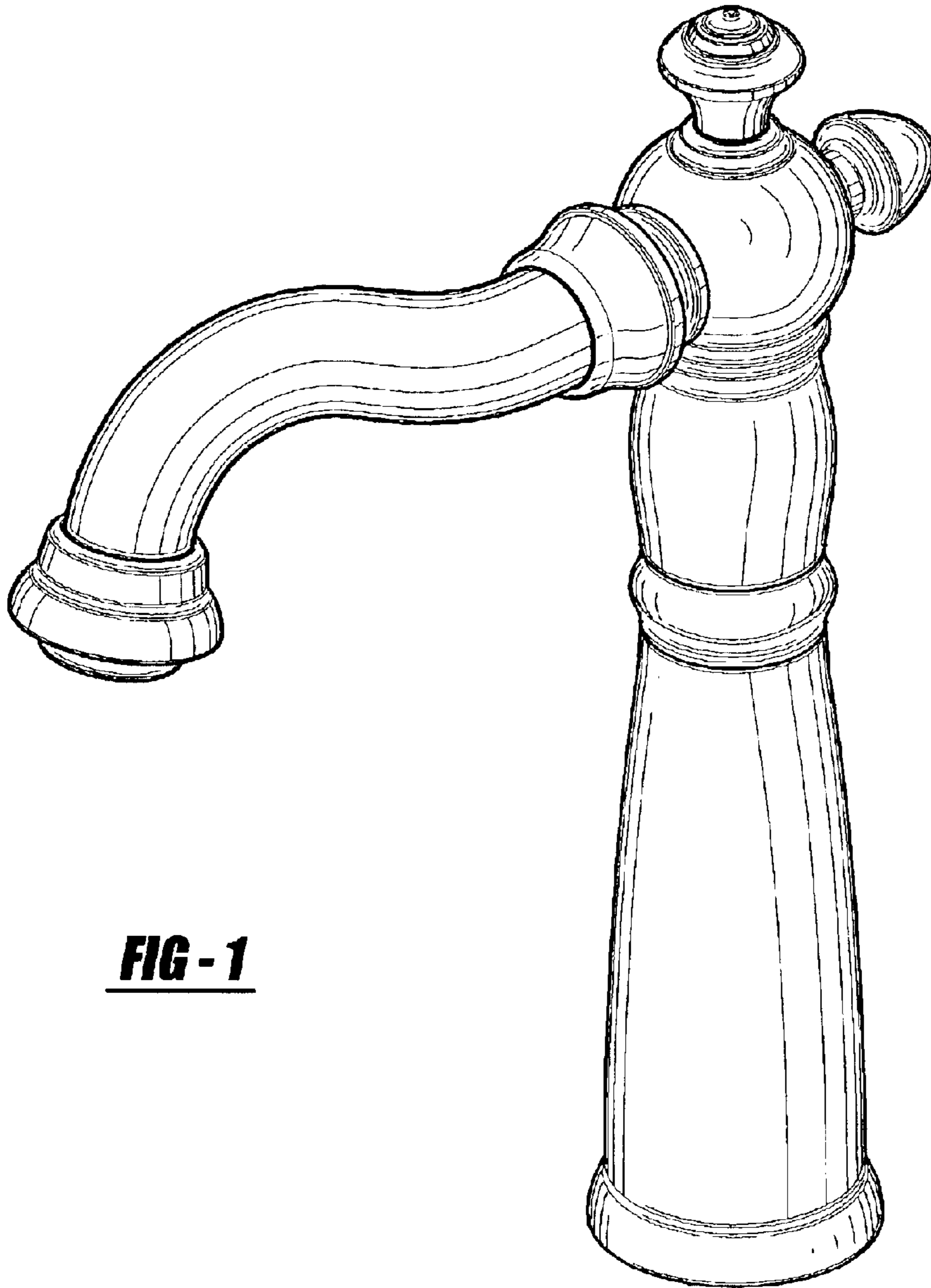
(56) **References Cited**

**U.S. PATENT DOCUMENTS**

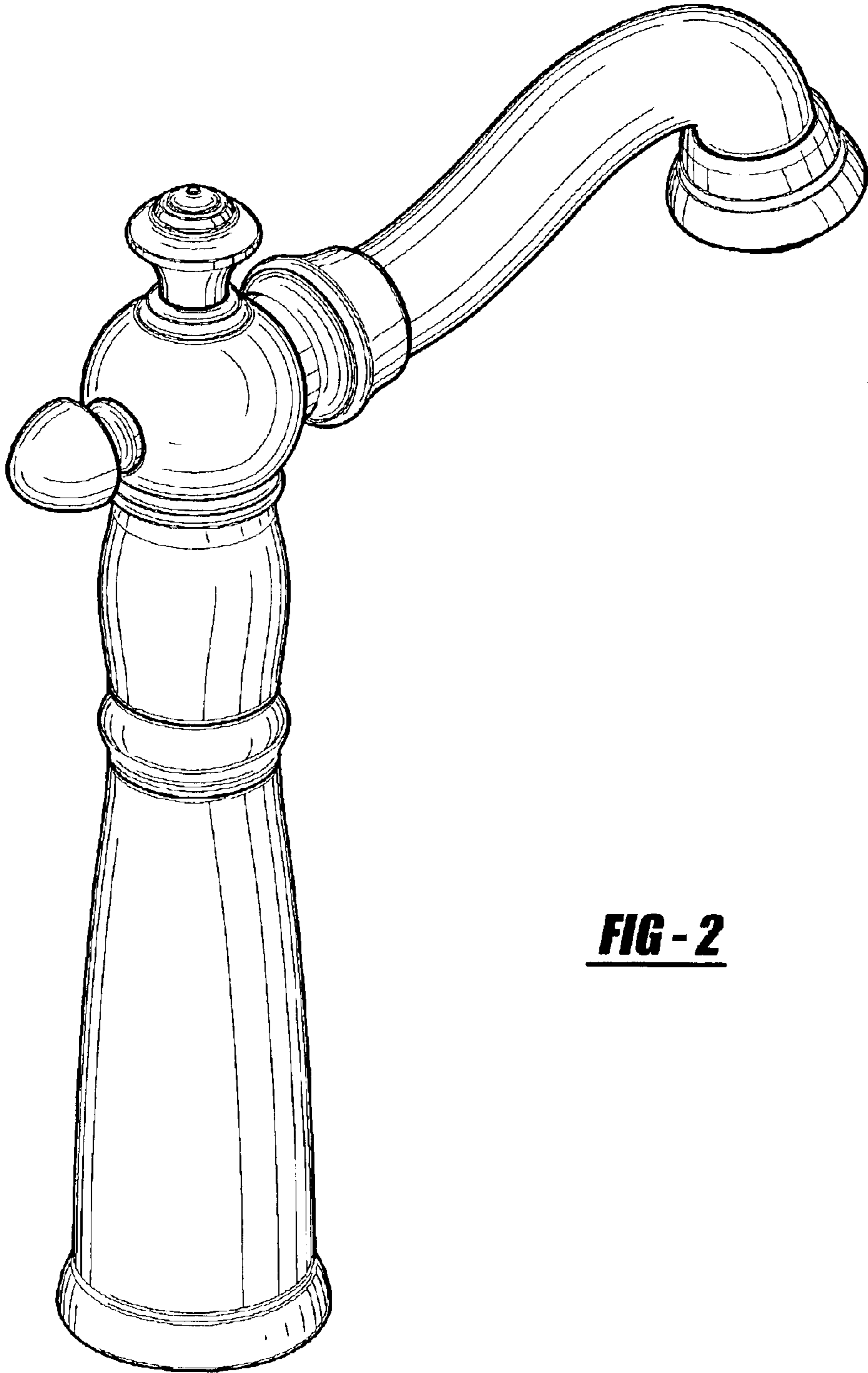
D287,395 S	*	12/1986	Piesco	.....	D23/255
D318,099 S	*	7/1991	Reid et al.	.....	D23/255
D375,345 S	*	11/1996	Warshawsky	.....	D23/241
D407,466 S	*	3/1999	Hundley et al.	.....	D23/252
D462,749 S	*	9/2002	Lord	.....	D23/255
D464,714 S	*	10/2002	Lord	.....	D23/255

**1 Claim, 5 Drawing Sheets**

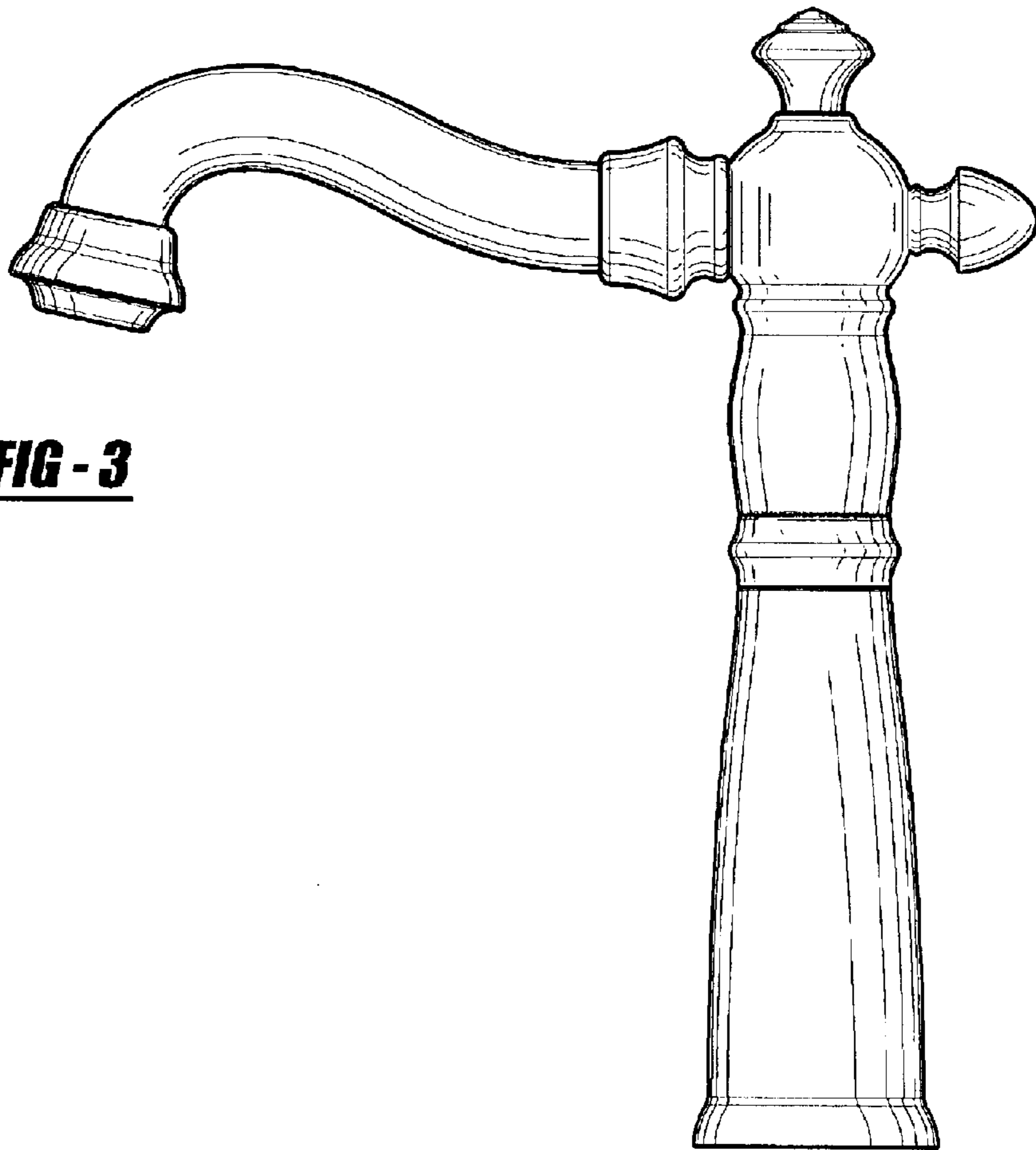




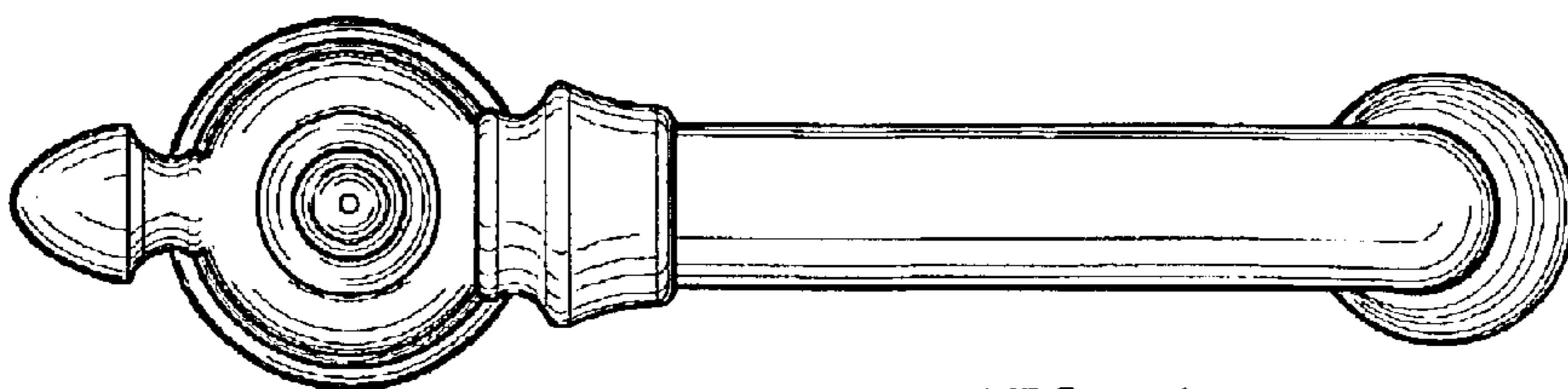
**FIG - 1**



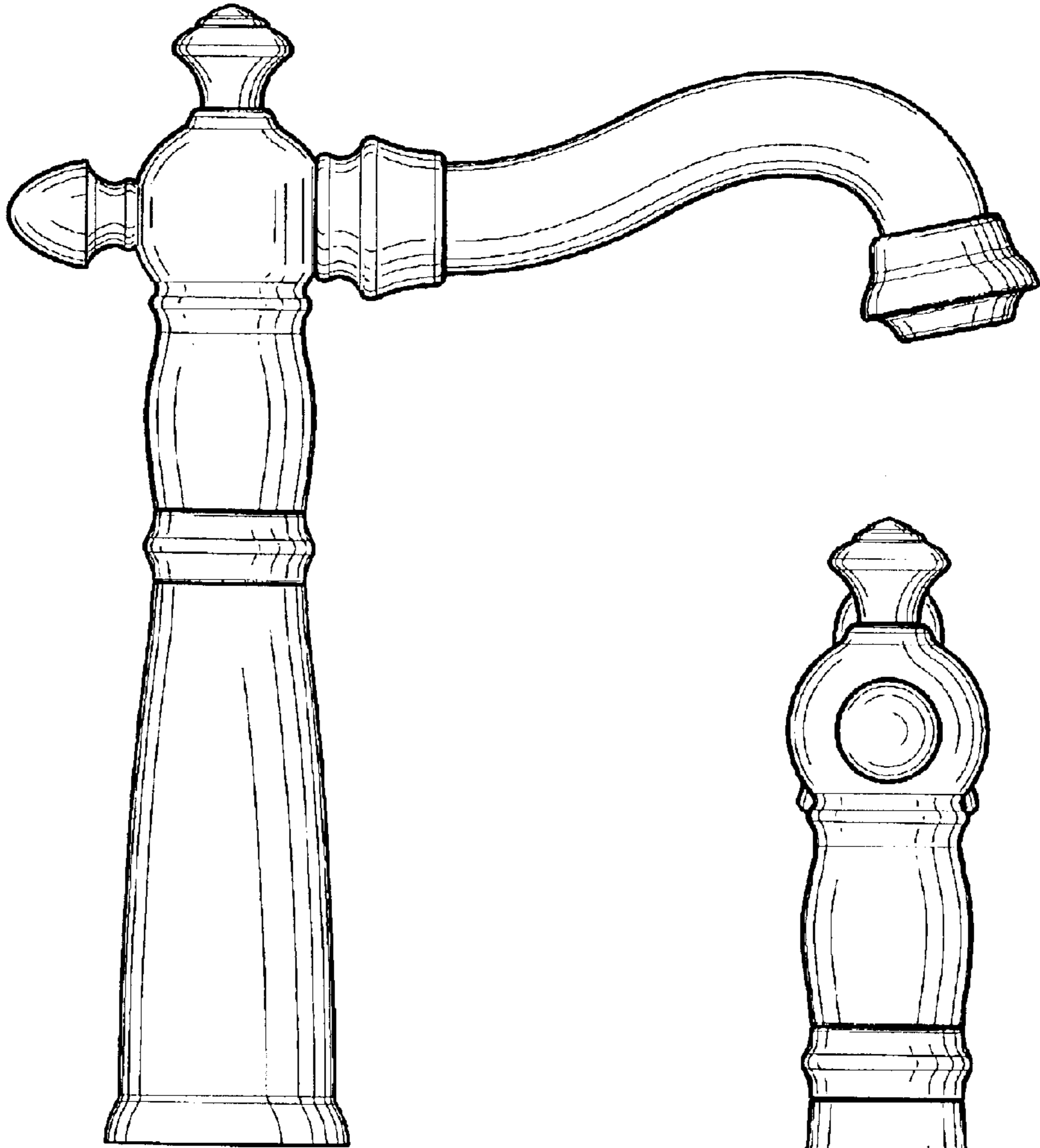
**FIG - 2**



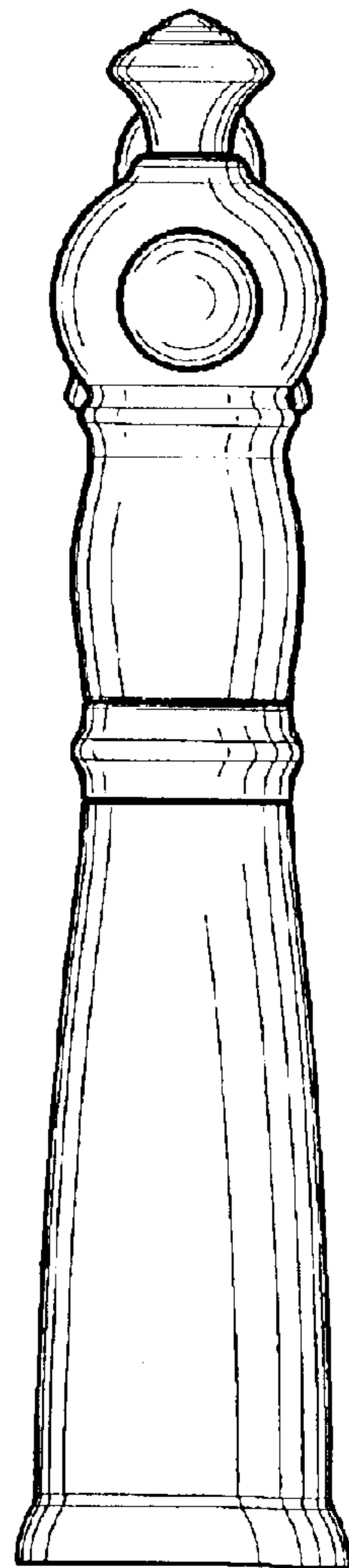
**FIG - 3**



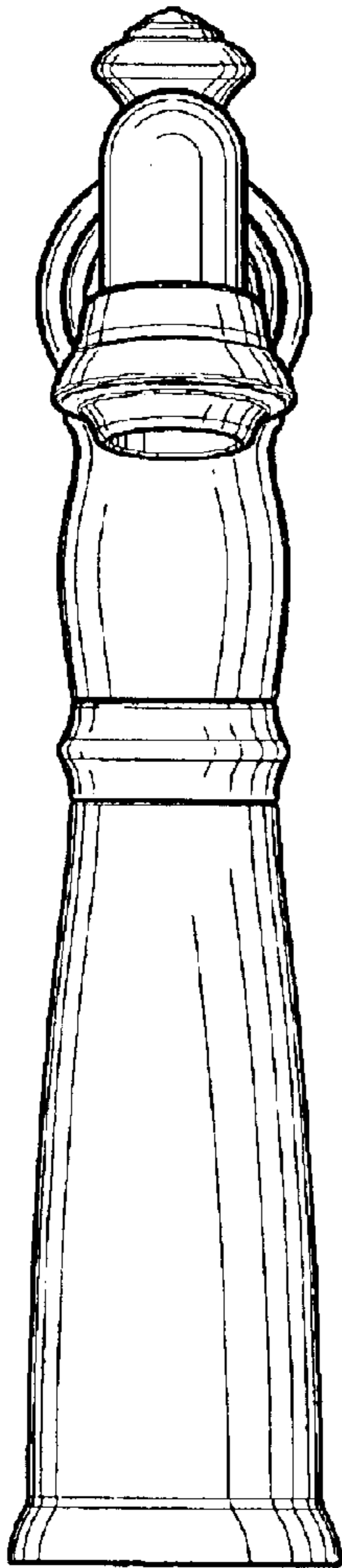
**FIG - 4**



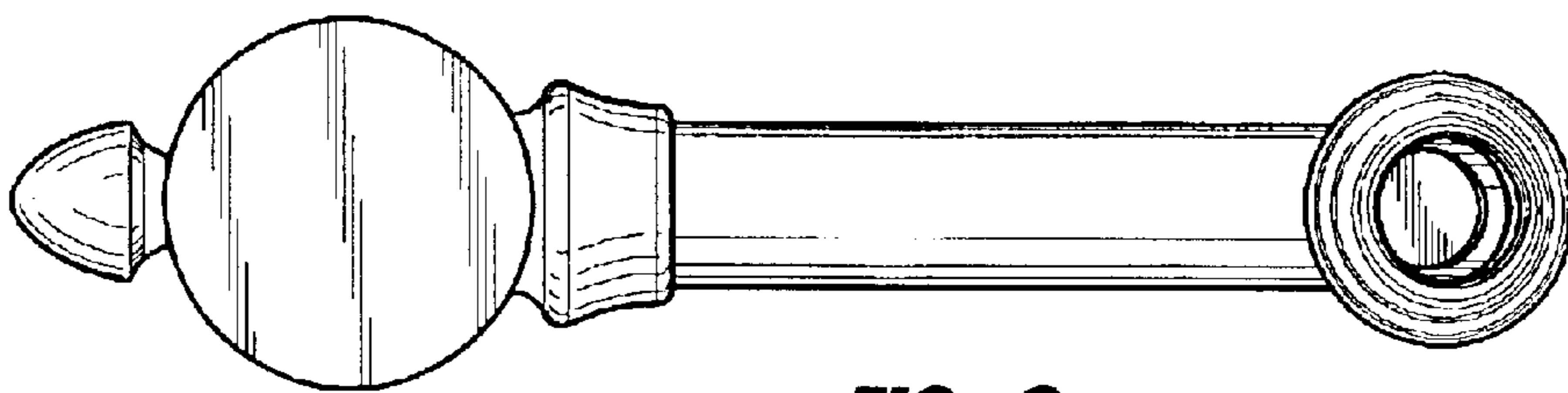
**FIG - 5**



**FIG - 6**



**FIG - 7**



**FIG - 8**