



US00D487910S

(12) **United States Design Patent**
Wine

(10) **Patent No.:** **US D487,910 S**

(45) **Date of Patent:** **** Mar. 30, 2004**

(54) **TRAINING STAND FOR ATHLETES WHILE HITTING BALLS**

(76) **Inventor:** **S. Stone Wine**, 800-G Sprull Ct., Greensboro, NC (US) 27409

(**) **Term:** **14 Years**

(21) **Appl. No.:** **29/175,703**

(22) **Filed:** **Feb. 7, 2003**

(51) **LOC (7) Cl.** **21-02**

(52) **U.S. Cl.** **D21/698; D21/780**

(58) **Field of Search** D21/662, 691, D21/698, 699, 780; D6/329, 396, 397, 410, 411, 416, 449, 462, 466, 495, 496, 499, 512, 546-549, 552; 473/415-418, 422, 421, 451-454, 476; 211/13.1, 85.7, 190, 204, 205, 207, 182; 248/95, 97, 99, 100, 121, 122.1, 125.1, 125.3, 125.7, 128.8, 125.9, 127, 405, 411-413

(56) **References Cited**

U.S. PATENT DOCUMENTS

2,985,452 A * 5/1961 Trippet 473/453

5,087,039 A * 2/1992 Laseke 473/417
5,098,094 A * 3/1992 Kita 473/423
D327,105 S * 6/1992 Smith, Jr. D21/691
D339,393 S * 9/1993 Allen D21/780
5,282,615 A * 2/1994 Green et al. 473/418
5,374,056 A * 12/1994 Scher et al. 473/418
5,685,788 A * 11/1997 Shy et al. 473/423
6,159,111 A * 12/2000 Purcell 473/422

* cited by examiner

Primary Examiner—Philip S. Hyder

Assistant Examiner—C. Tuttle

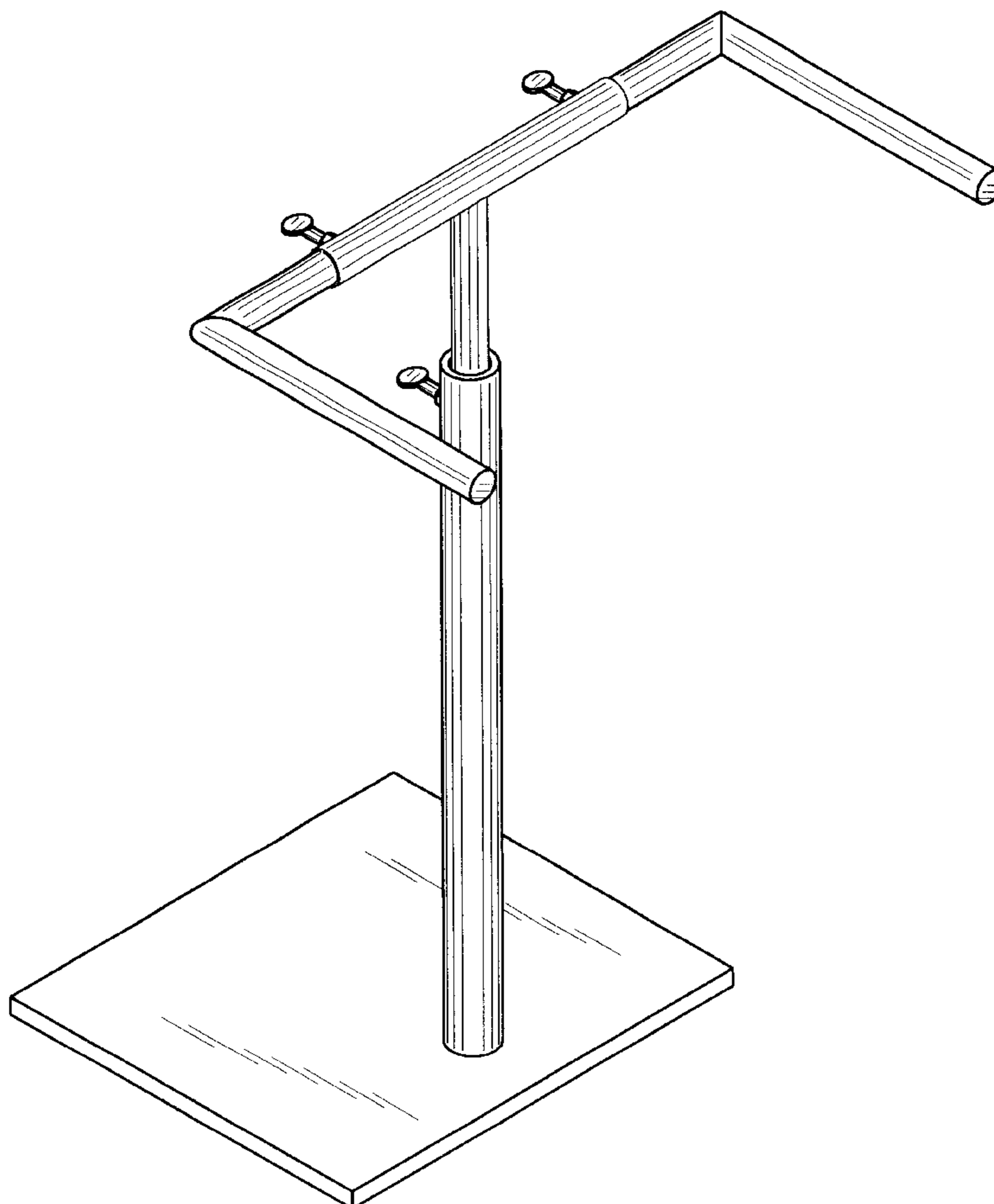
(57) **CLAIM**

The ornamental design for a training stand for athletes while hitting balls, as shown and described.

DESCRIPTION

FIG. 1 is a front, top, left side perspective view of a training stand embodying my design;
FIG. 2 is a top plan view thereof;
FIG. 3 is a bottom plan view thereof;
FIG. 4 is a right side elevational view thereof; and,
FIG. 5 is a rear elevational view thereof.

1 Claim, 5 Drawing Sheets



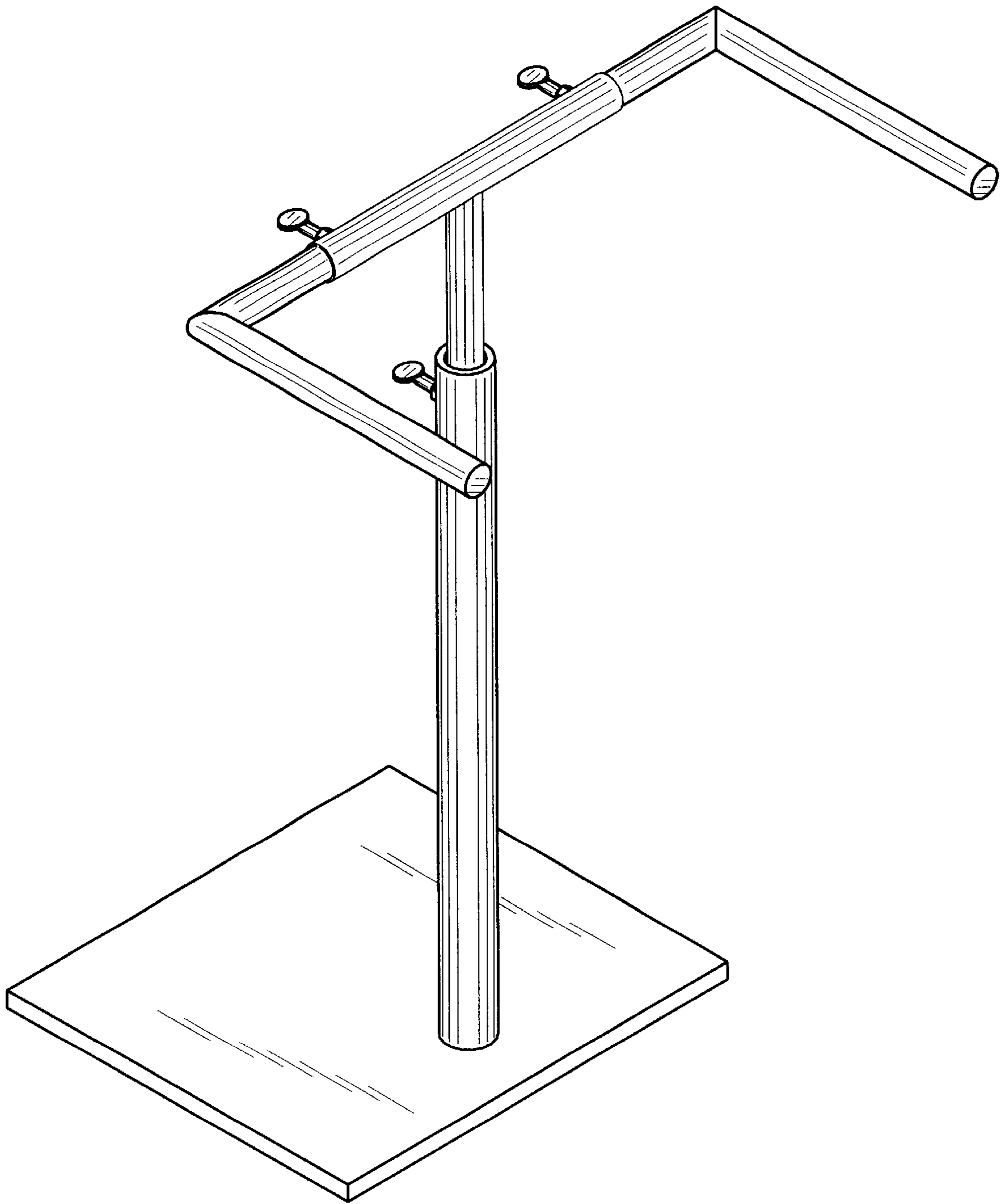


FIG. 1

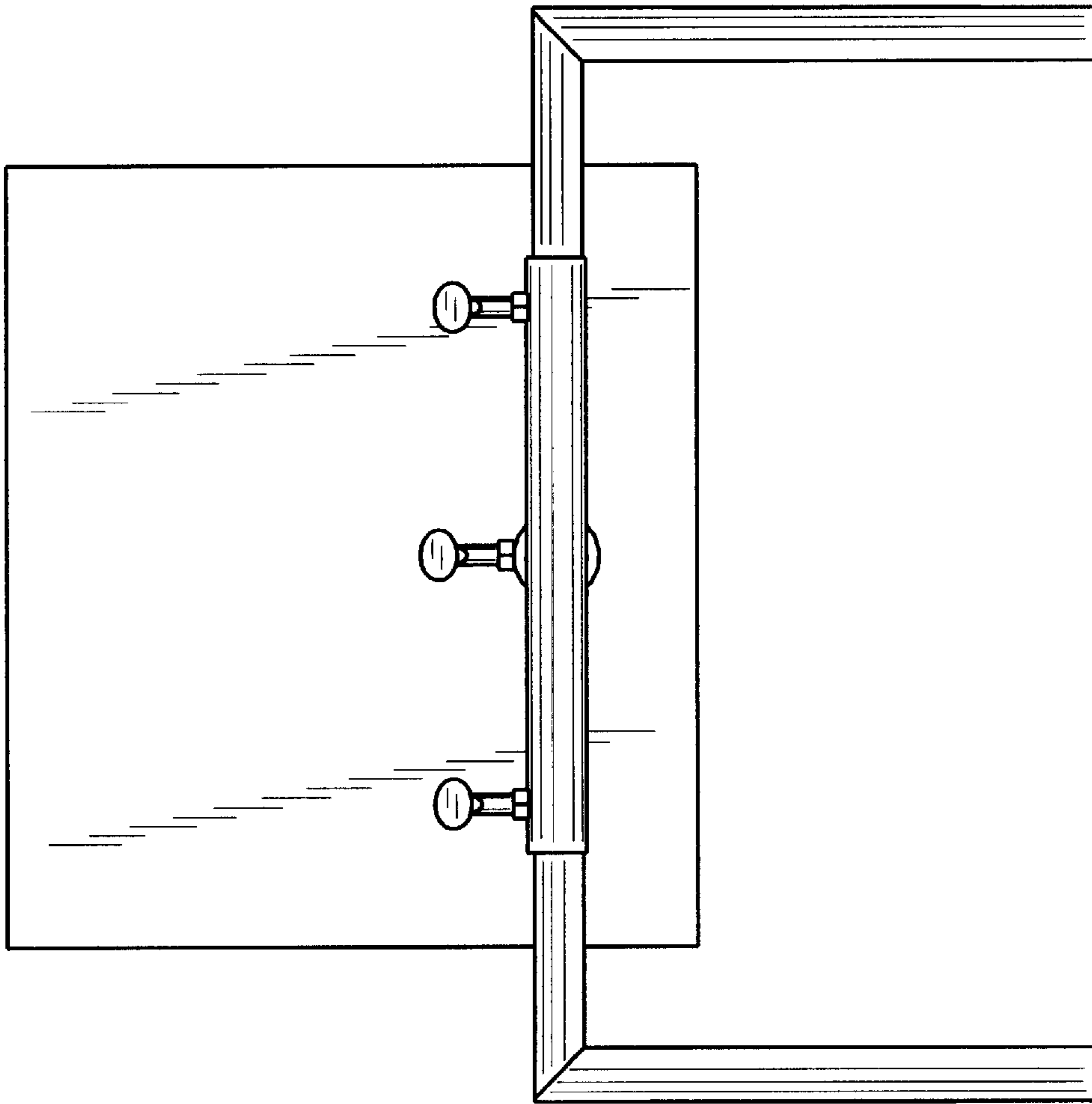


FIG. 2

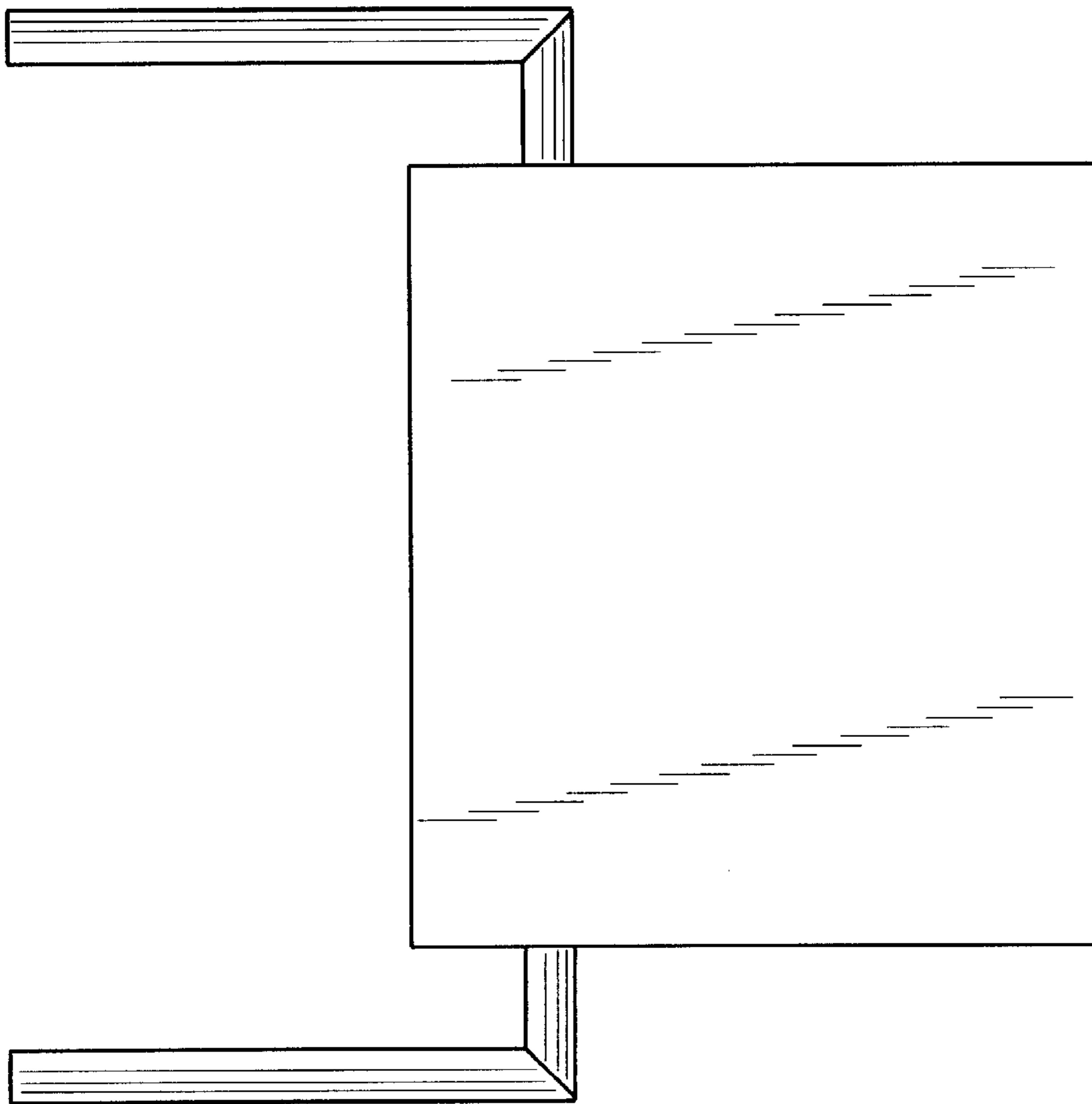


FIG. 3

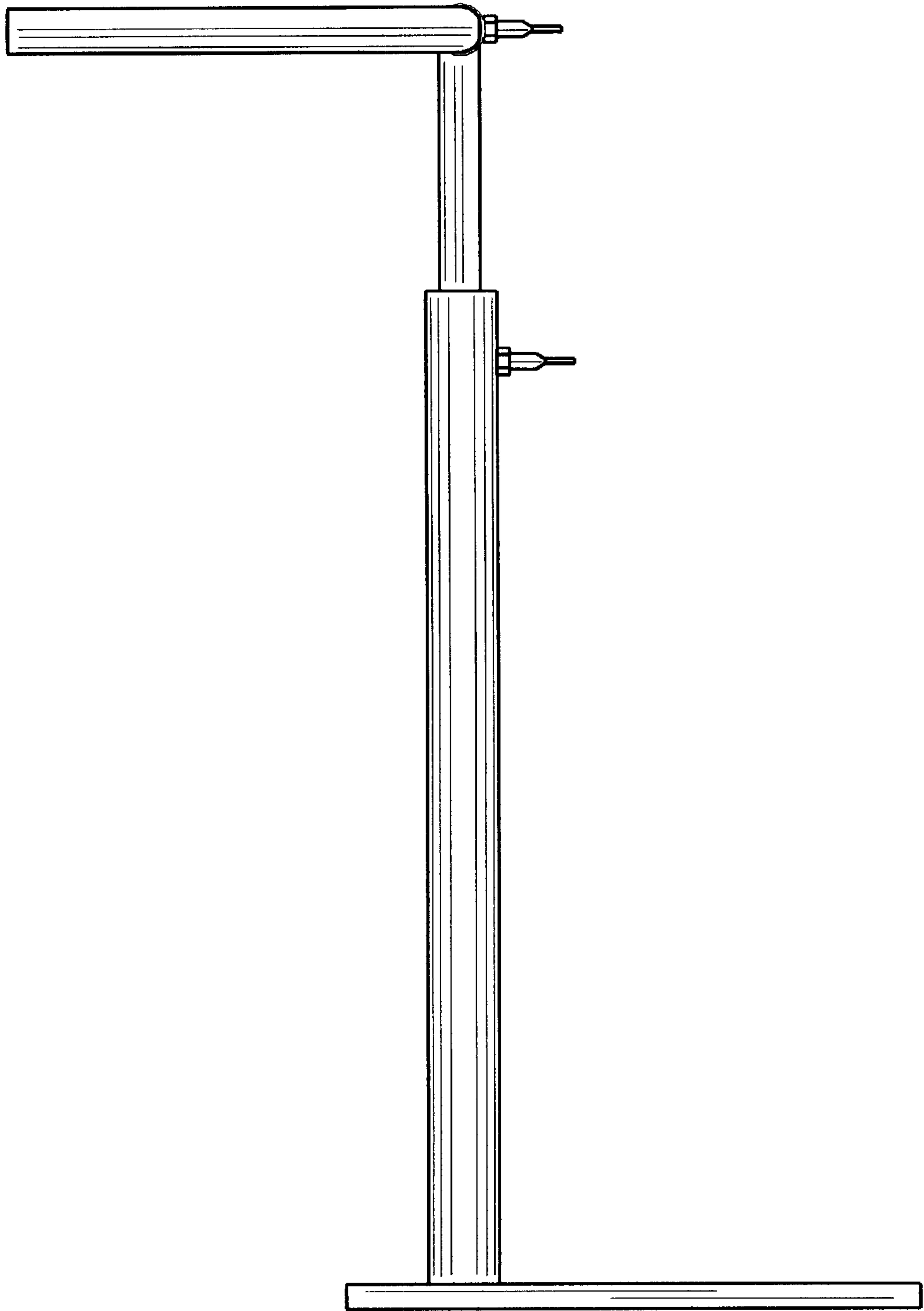


FIG. 4

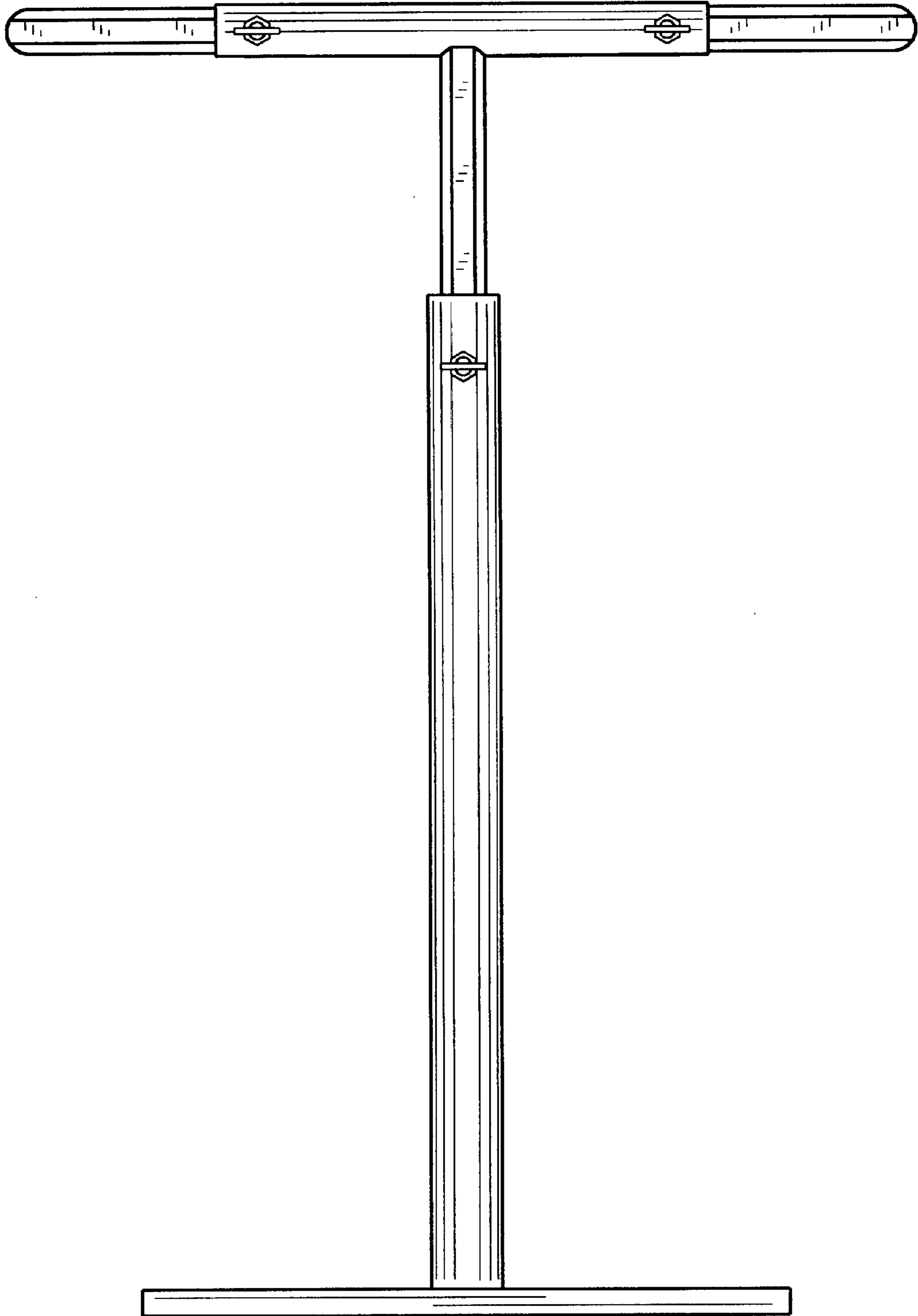


FIG. 5