



US00D487905S

(12) **United States Design Patent**
Nelson et al.

(10) **Patent No.:** **US D487,905 S**
(45) **Date of Patent:** **** Mar. 30, 2004**

(54) **MUSICAL INSTRUMENT TUNER HOUSING**

(75) Inventors: **Andrew P. Nelson**, Dallas, TX (US);
Mark L. Wilson, Dallas, TX (US)

(73) Assignee: **Onboard Research Corp.**, Carrollton,
TX (US)

(**) Term: **14 Years**

(21) Appl. No.: **29/182,267**

(22) Filed: **May 22, 2003**

(51) **LOC (7) Cl.** **17-99**

(52) **U.S. Cl.** **D17/99**

(58) **Field of Search** D17/99, 24; 84/453-8,
84/DIG. 18; D14/346, 188, 197

(56) **References Cited**

U.S. PATENT DOCUMENTS

| | | | | | |
|-------------|---|---------|---------------|-------|---------|
| D235,779 S | * | 7/1975 | Barr | | D14/217 |
| 4,335,642 A | | 6/1982 | Pogoda | | |
| D290,371 S | * | 6/1987 | Slayer et al. | | D17/99 |
| D317,933 S | * | 7/1991 | Yoshitake | | D17/99 |
| D319,250 S | * | 8/1991 | Iinuma | | D17/99 |
| D324,048 S | * | 2/1992 | Tanaka | | D14/217 |
| D331,769 S | | 12/1992 | Stevenson | | |
| D371,790 S | * | 7/1996 | Takei | | D14/217 |
| D375,115 S | * | 10/1996 | Kawada | | D17/99 |
| D375,515 S | * | 11/1996 | Takeda et al. | | D17/99 |
| D376,365 S | * | 12/1996 | Kawada | | D14/217 |
| D378,683 S | * | 4/1997 | Ridinger | | D17/99 |

| | | | | | |
|------------|---|---------|---------------|-------|---------|
| D383,482 S | * | 9/1997 | Katsumata | | D17/99 |
| D387,798 S | * | 12/1997 | Miura | | D17/99 |
| D402,684 S | | 12/1998 | Wilson et al. | | |
| D426,226 S | * | 6/2000 | Ridinger | | D14/188 |
| D472,551 S | * | 4/2003 | Griffin | | D14/346 |

OTHER PUBLICATIONS

Guyatone: Expert Sound Gear Web Page, PT-21 tuner, Feb. 7, 2003.

Samwoo Home Web Page, IMT-310, IMT-202, IMT-101, IMT-102, IMT-203, Feb. 7, 2003.

* cited by examiner

Primary Examiner—Ruth McInroy

(74) *Attorney, Agent, or Firm*—Daniel V. Thompson

(57) **CLAIM**

The ornamental design for a musical instrument tuner housing, as shown and described.

DESCRIPTION

FIG. 1 is a perspective view of a musical instrument tuner housing showing our new design;

FIG. 2 is a front view;

FIG. 3 is a back view;

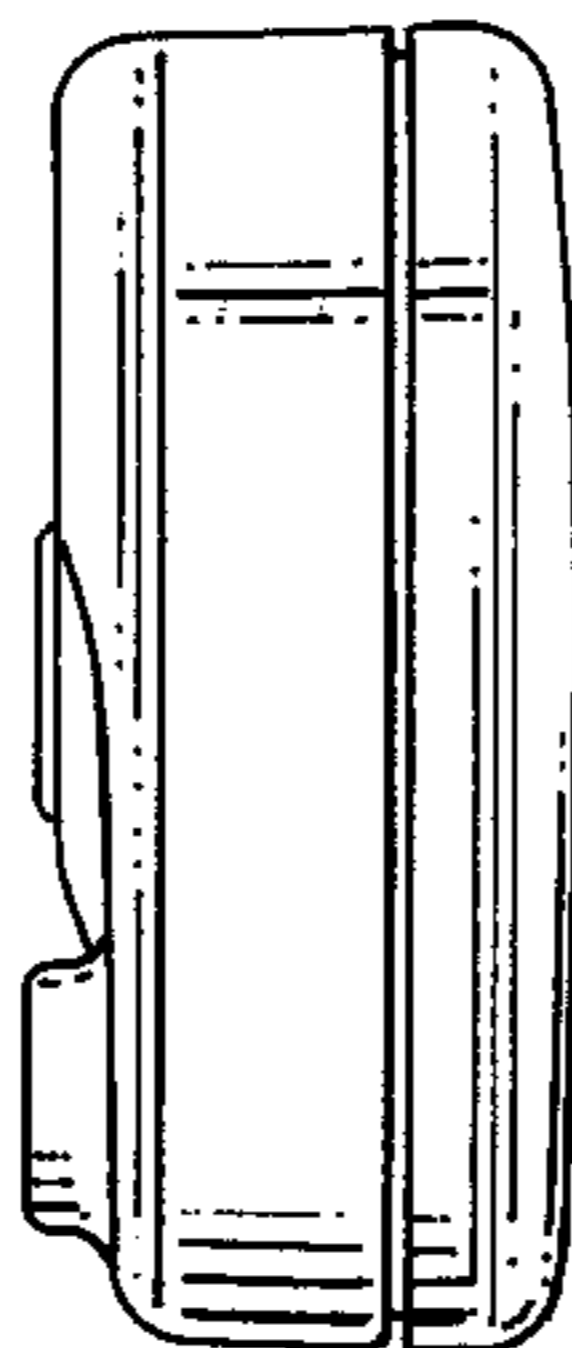
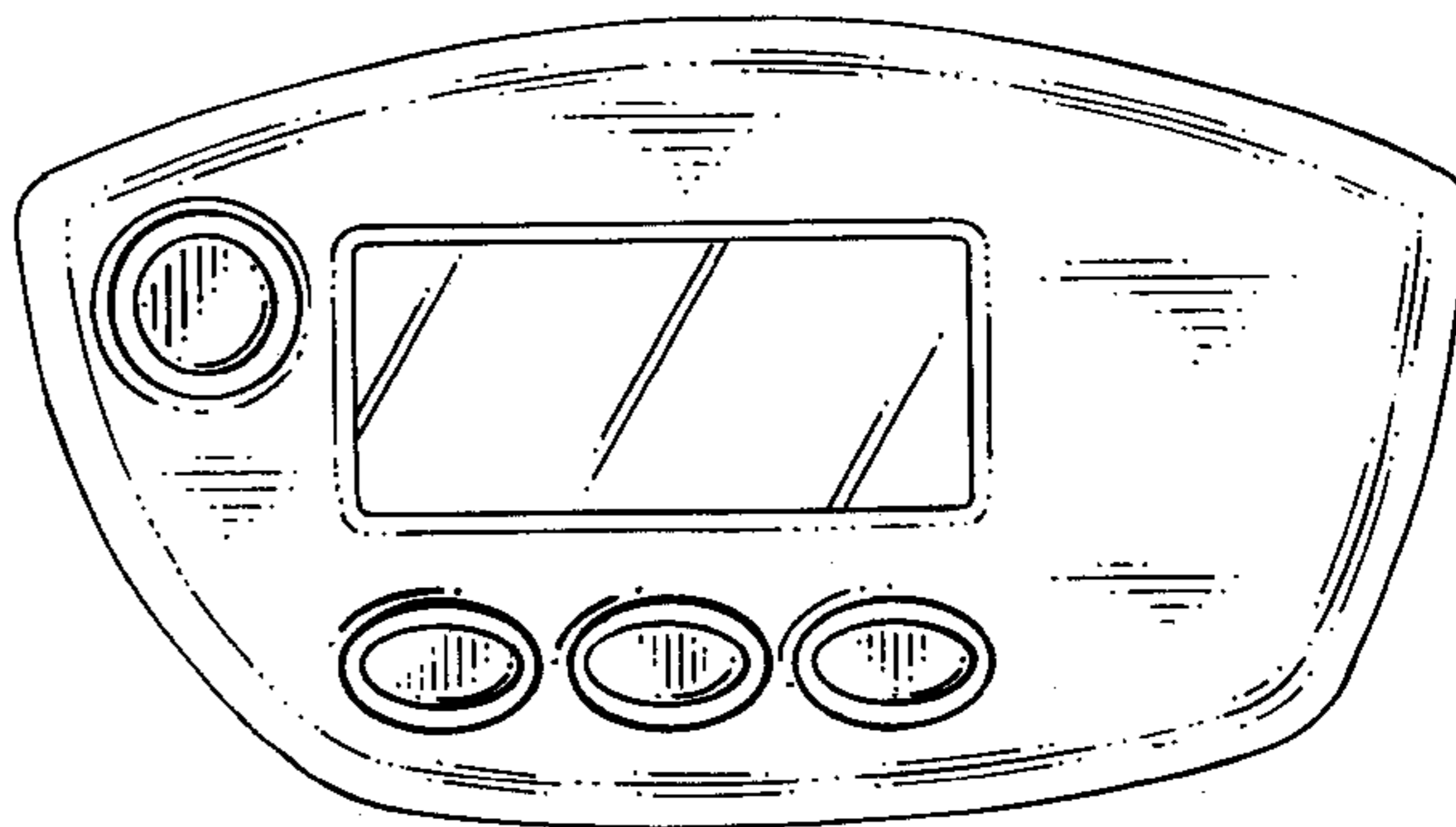
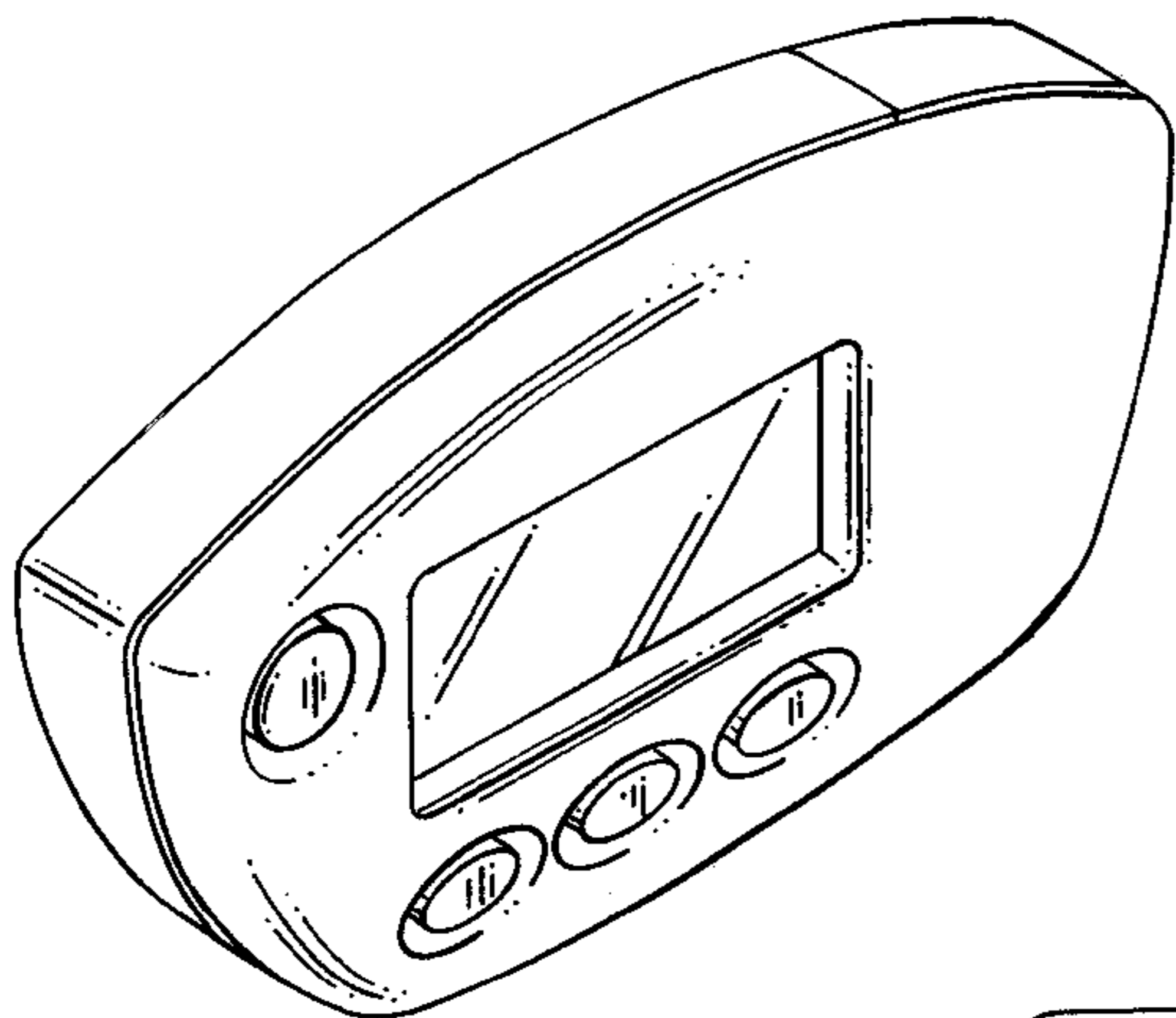
FIG. 4 is a top view;

FIG. 5 is a bottom view;

FIG. 6 is a side view; and,

FIG. 7 is a side view similar to FIG. 6 rotated 180 degrees.

1 Claim, 3 Drawing Sheets



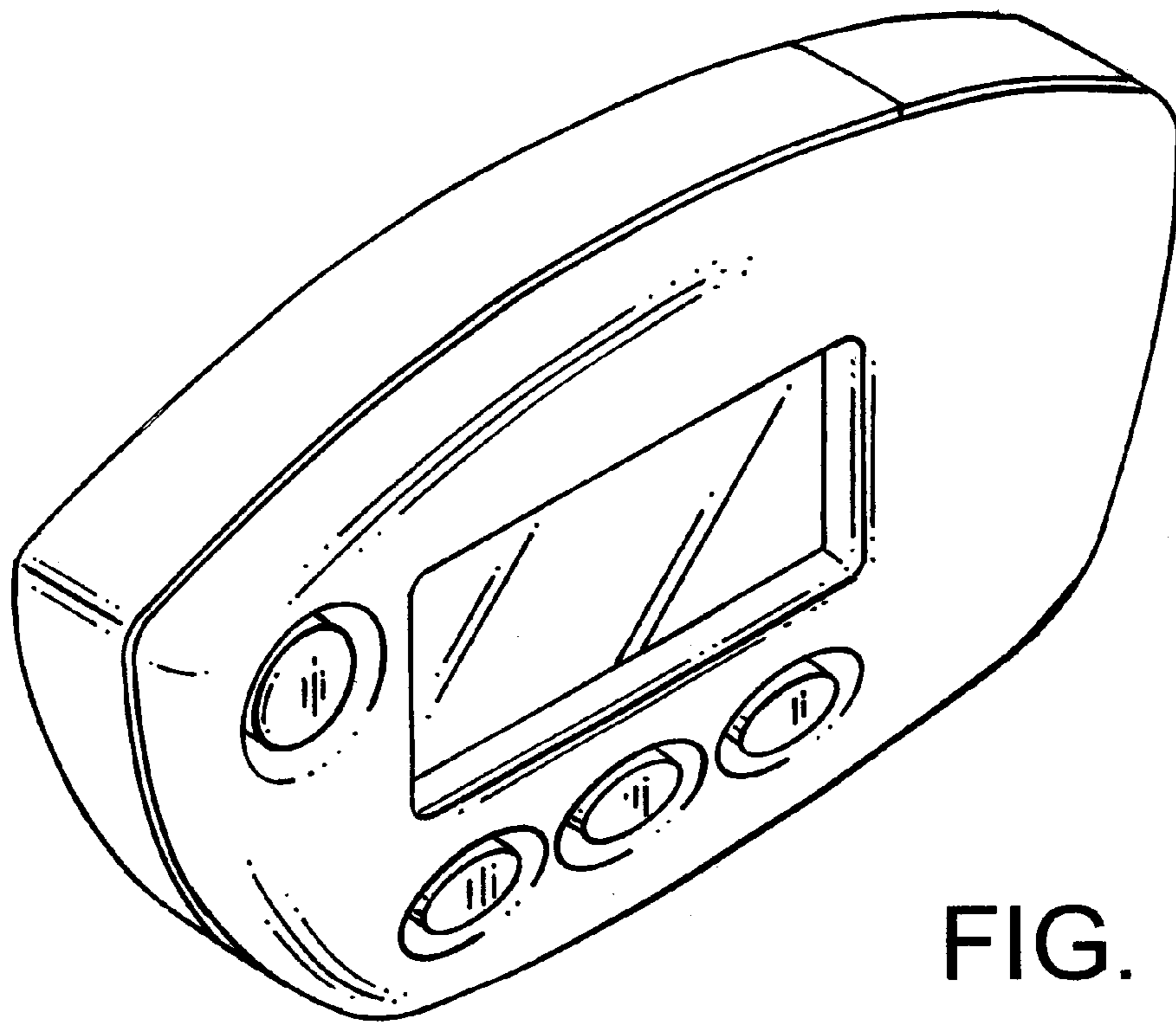


FIG. 1

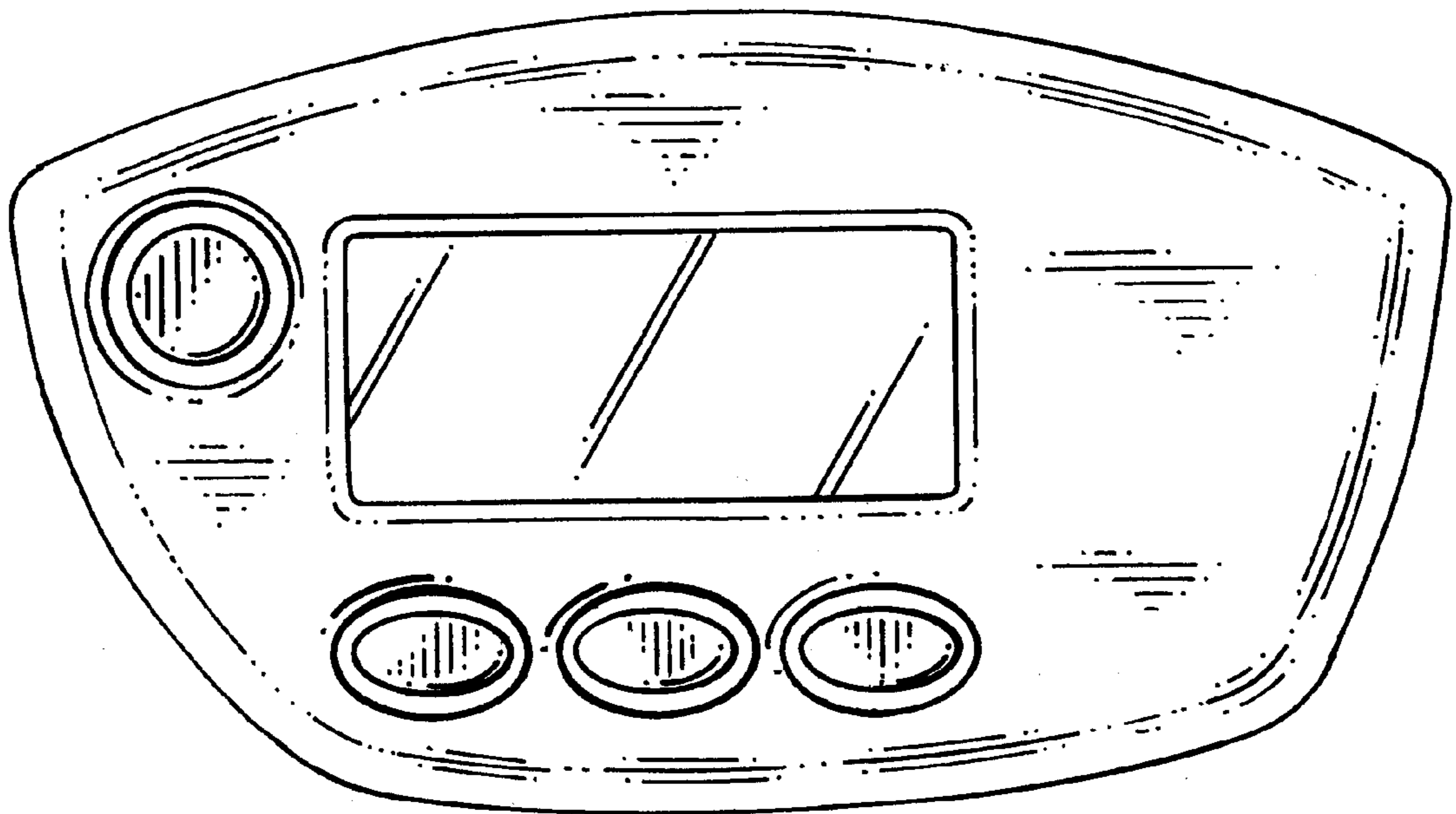


FIG. 2

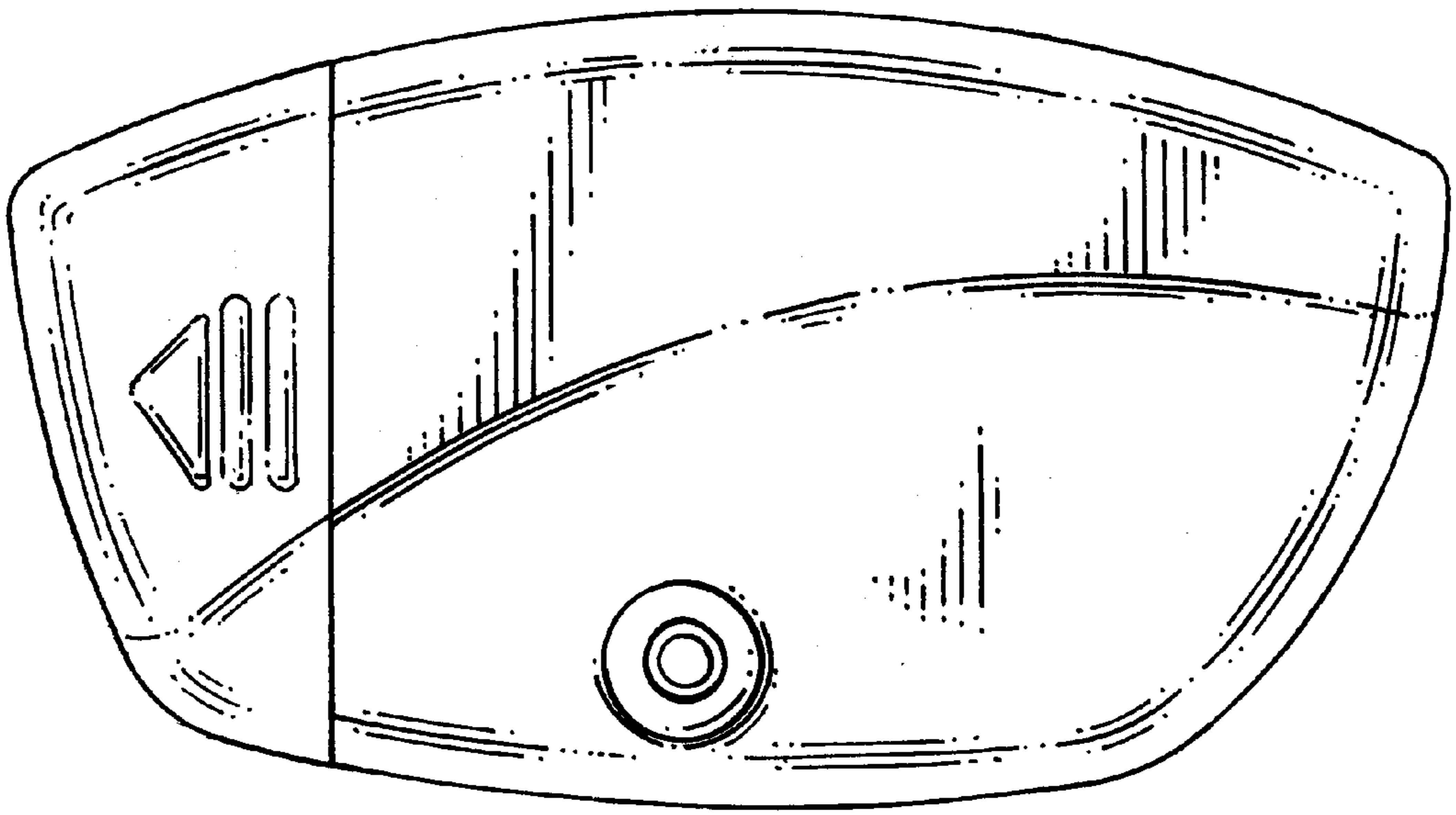


FIG. 3

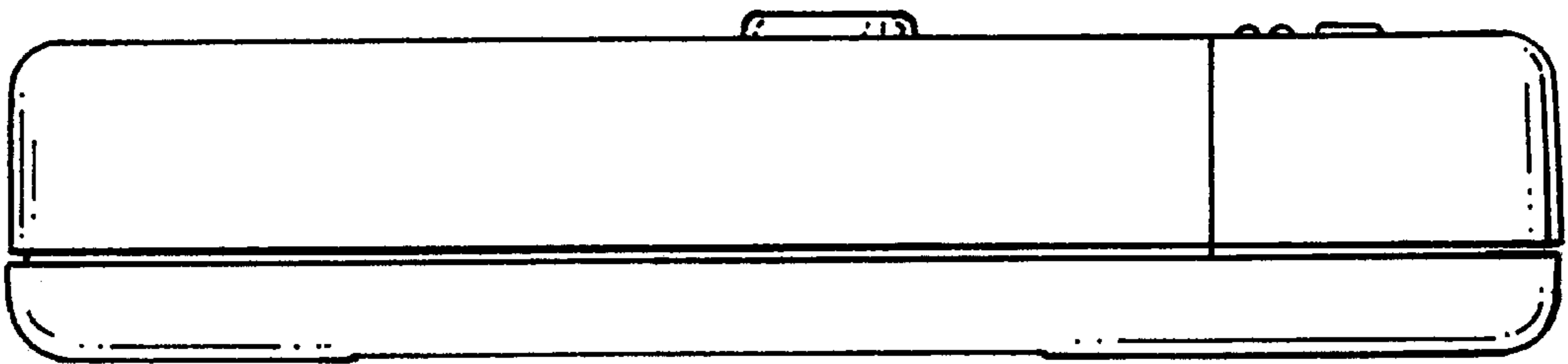


FIG. 4

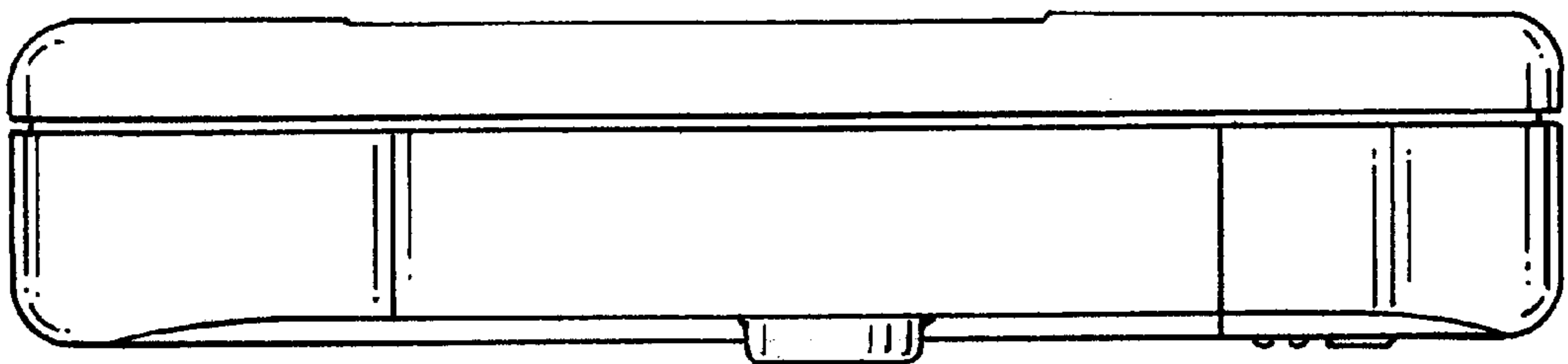


FIG. 5

FIG. 6

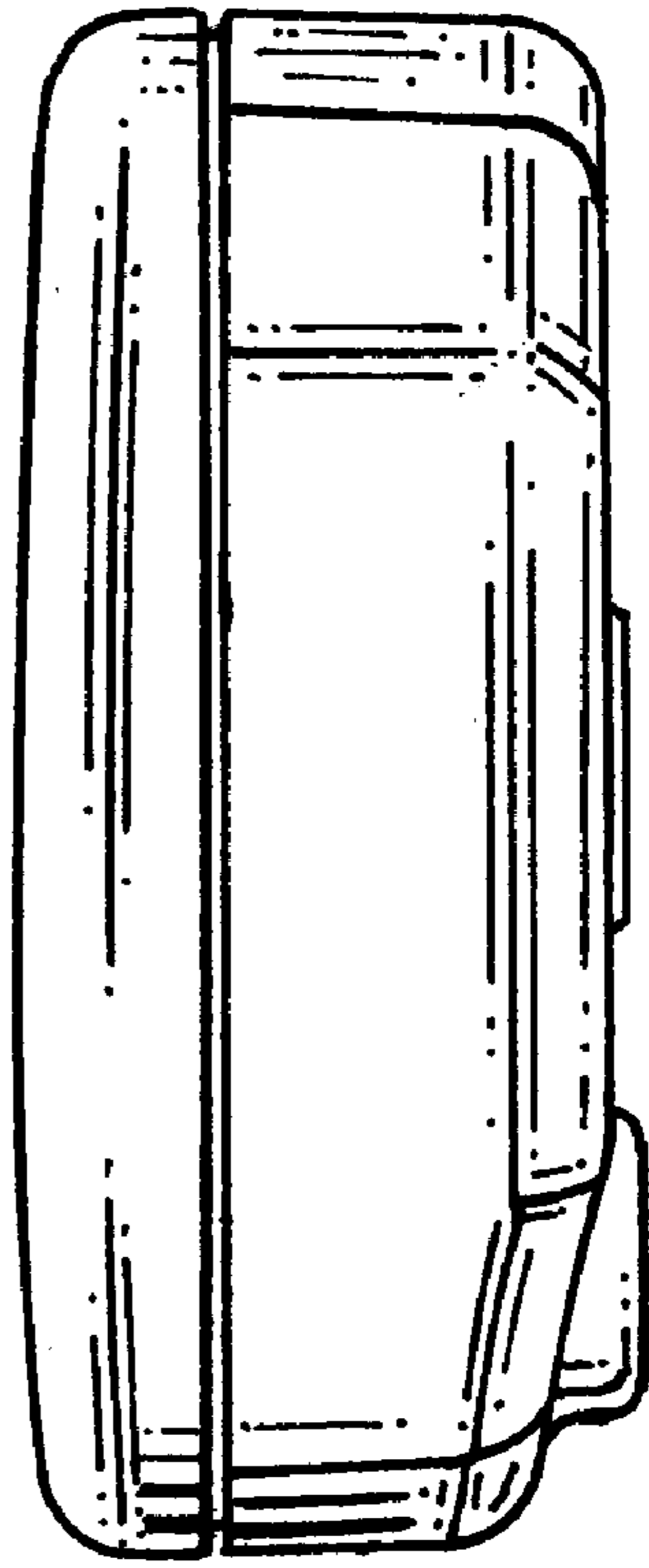


FIG. 7

