



US00D487904S

(12) **United States Design Patent**  
**Brown**

(10) **Patent No.:** **US D487,904 S**

(45) **Date of Patent:** **\*\* Mar. 30, 2004**

(54) **CAMERA ARM**

(75) **Inventor:** **Stephen G. Brown**, Vancouver, WA  
(US)

(73) **Assignee:** **Polyvision Corporation**, Norcross, GA  
(US)

(\*\*) **Term:** **14 Years**

(21) **Appl. No.:** **29/158,876**

(22) **Filed:** **Apr. 11, 2002**

(51) **LOC (7) Cl.** ..... **16-05**

(52) **U.S. Cl.** ..... **D16/242**

(58) **Field of Search** ..... D16/237, 242,  
D16/243, 244, 245; 224/908; 248/126,  
187.1, 188.8; 352/243; 396/419, 420, 428

(56) **References Cited**

**U.S. PATENT DOCUMENTS**

4,640,481 A \* 2/1987 Kohno ..... 248/126  
D302,561 S \* 8/1989 Goins ..... D16/242

4,991,758 A \* 2/1991 Eaneff ..... 224/908  
5,566,915 A \* 10/1996 Hansare ..... 248/188.8  
D382,286 S \* 8/1997 Doran ..... D16/242

\* cited by examiner

*Primary Examiner*—Adir Aronovich

(74) *Attorney, Agent, or Firm*—Troutman Sanders LLP;  
Ryan A. Schneider, Esq.

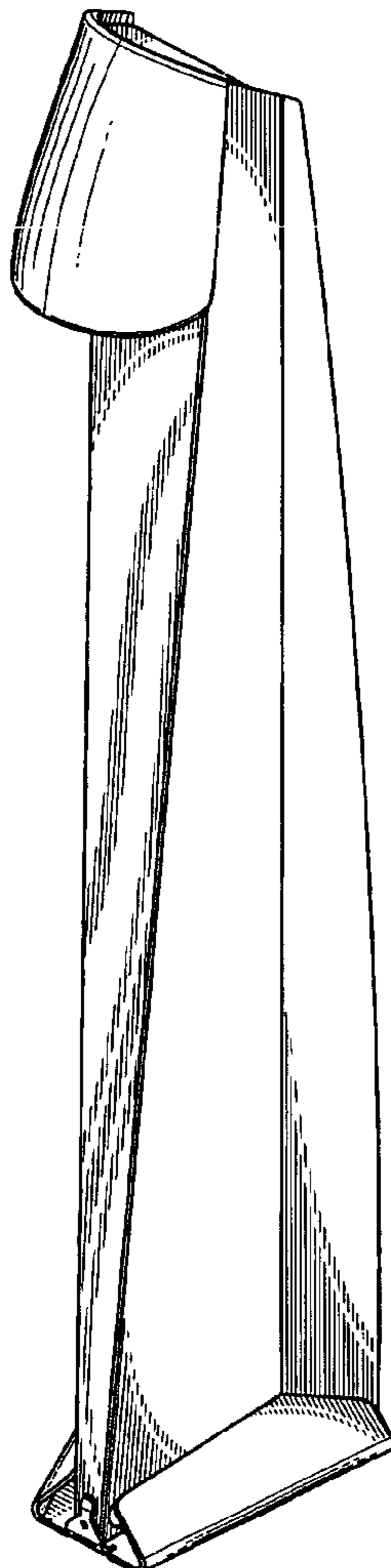
(57) **CLAIM**

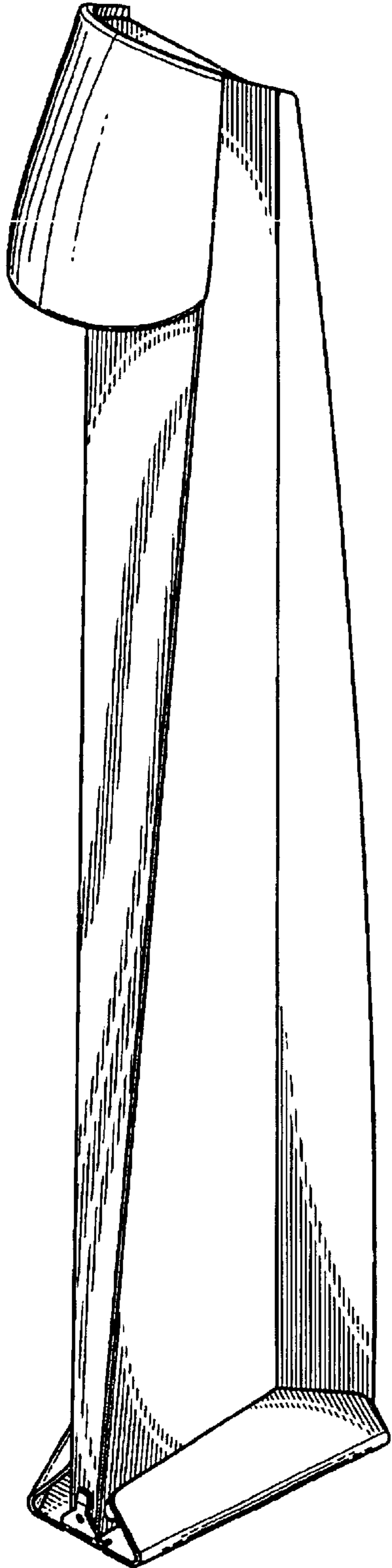
The ornamental design for a camera arm, as shown and described.

**DESCRIPTION**

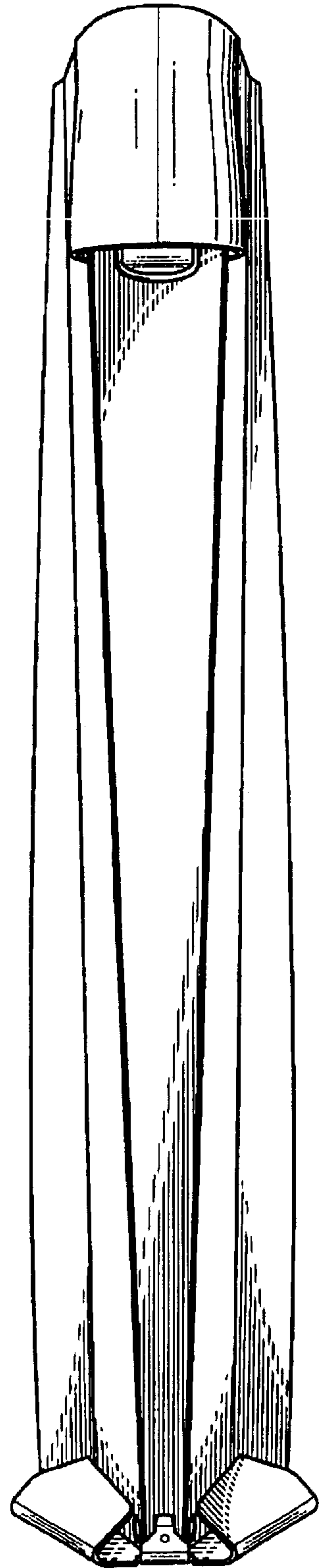
FIG. 1 is a perspective of the camera arm.  
FIG. 2 is a bottom view of the camera arm.  
FIG. 3 is a top view of the camera arm.  
FIG. 4 is a right side view of the camera arm.  
FIG. 5 is a left side view of the camera arm.  
FIG. 6 is a front end view of the camera arm; and,  
FIG. 7 is a back end view of the camera arm.

**1 Claim, 3 Drawing Sheets**

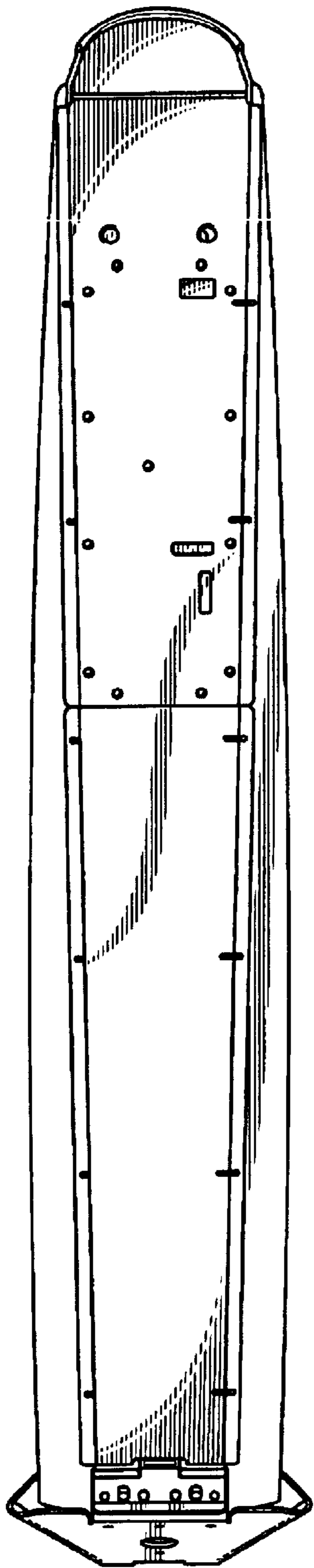




*Fig. 1*



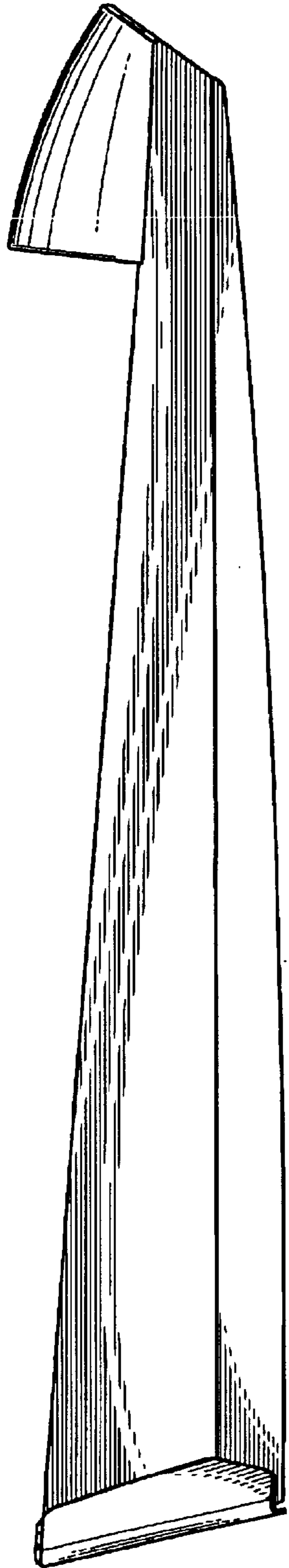
*Fig. 2*



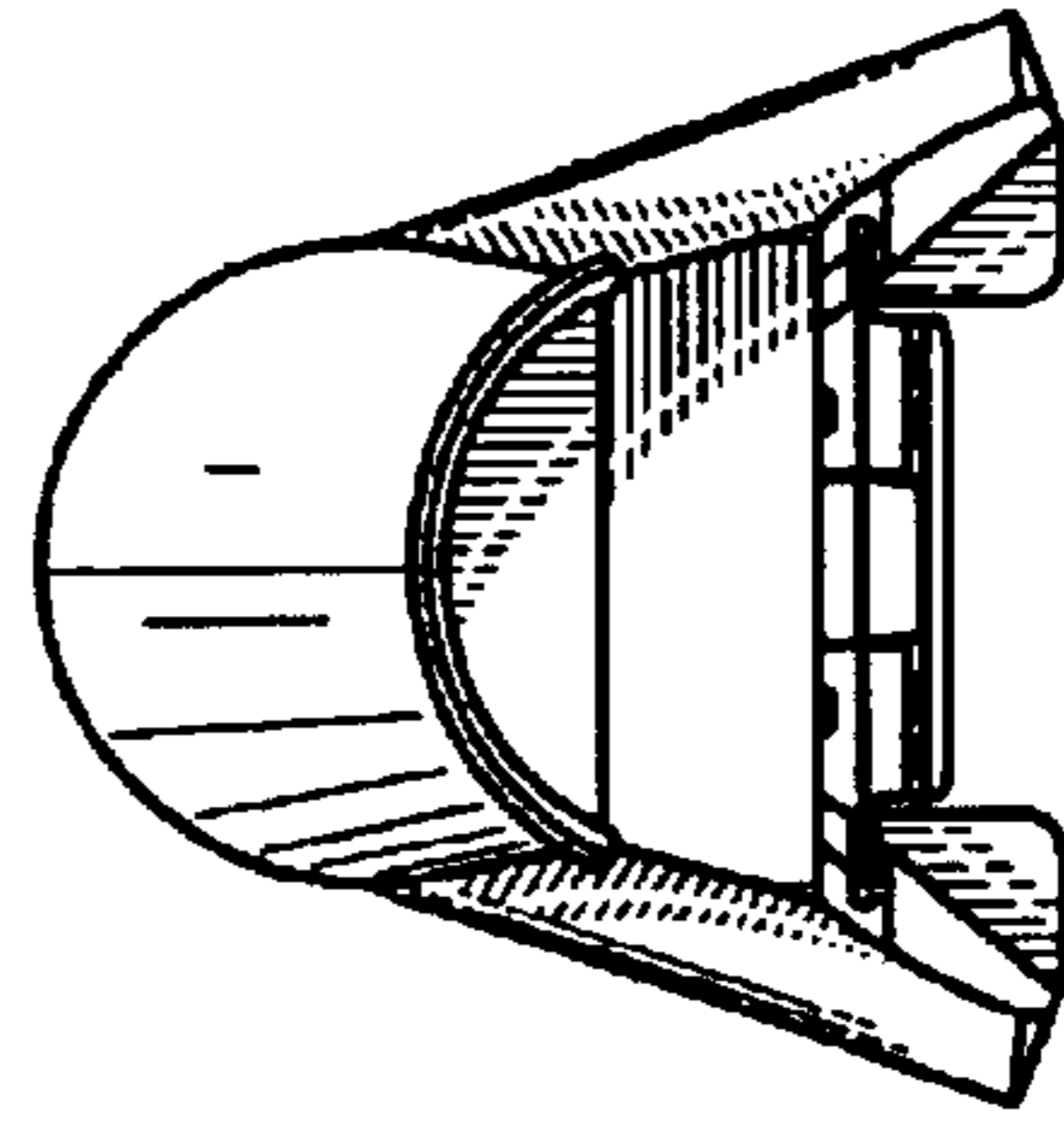
*Fig. 3*



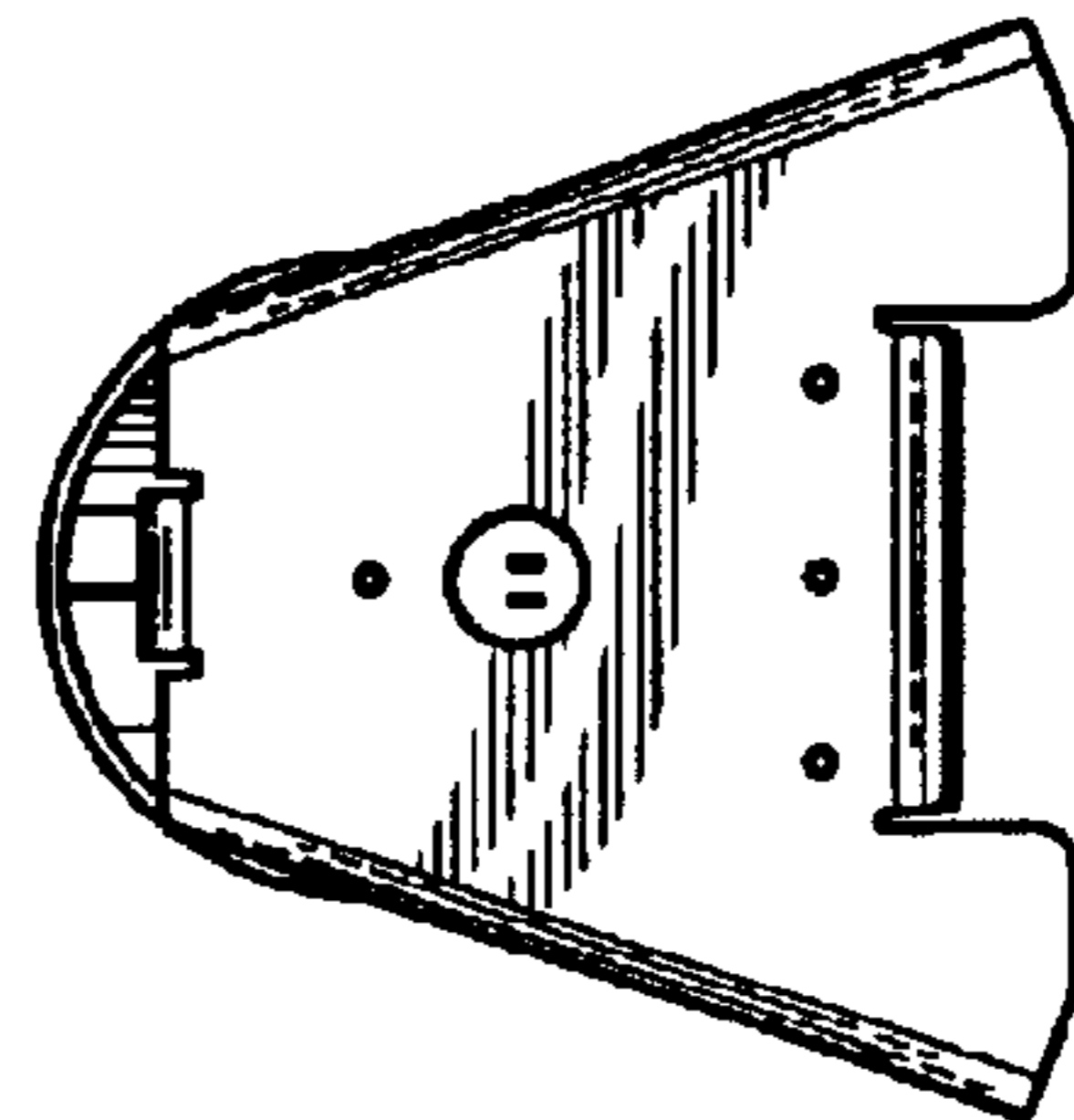
*Fig. 4*



*Fig. 5*



*Fig. 6*



*Fig. 7*