



US00D487903S

(12) **United States Design Patent**  
**Panasewicz et al.**

(10) **Patent No.:** **US D487,903 S**  
(45) **Date of Patent:** **\*\* Mar. 30, 2004**

(54) **IMAGE PROJECTION APPARATUS**

(75) Inventors: **Dale A. Panasewicz**, Strongsville, OH (US); **Dennis Futo**, Strongsville, OH (US); **Marc Louis Vitantonio, Sr.**, South Russell, OH (US); **John R. Nottingham**, Hunting Valley, OH (US); **John W. Spirk**, Gates Mills, OH (US)

(73) Assignee: **Emerald Innovations, L.L.C.**, Butler, PA (US)

(\*\*) Term: **14 Years**

(21) Appl. No.: **29/151,463**

(22) Filed: **Oct. 22, 2001**

**Related U.S. Application Data**

(60) Provisional application No. 60/243,309, filed on Oct. 27, 2000.

(51) **LOC (7) Cl.** ..... **16-02**

(52) **U.S. Cl.** ..... **D16/225; D16/221; D16/227**

(58) **Field of Search** ..... **D16/203, 204, D16/206, 208, 221, 225, 227, 230; 40/361-367; 353/115, 119, 122; 359/448**

(56) **References Cited**

**U.S. PATENT DOCUMENTS**

2,630,642 A \* 3/1953 Mast et al. .... 40/363

D201,528 S \* 6/1965 Nemeth ..... D16/227  
D204,837 S \* 5/1966 Olson ..... D16/206  
D211,803 S \* 7/1968 Genin ..... D21/514  
D231,489 S \* 4/1974 Uitz et al. .... D16/230  
2002/0101571 A1 \* 8/2002 Panasewicz et al. .... 353/119

\* cited by examiner

*Primary Examiner*—Adir Aronovich

(74) *Attorney, Agent, or Firm*—Calfee, Halter & Griswold, LLC

(57) **CLAIM**

The ornamental design for an image projection apparatus, as shown and described.

**DESCRIPTION**

FIG. 1 is a front perspective view of an image projection apparatus showing our new design;

FIG. 2 is a front elevation view thereof;

FIG. 3 is a right side elevation view thereof;

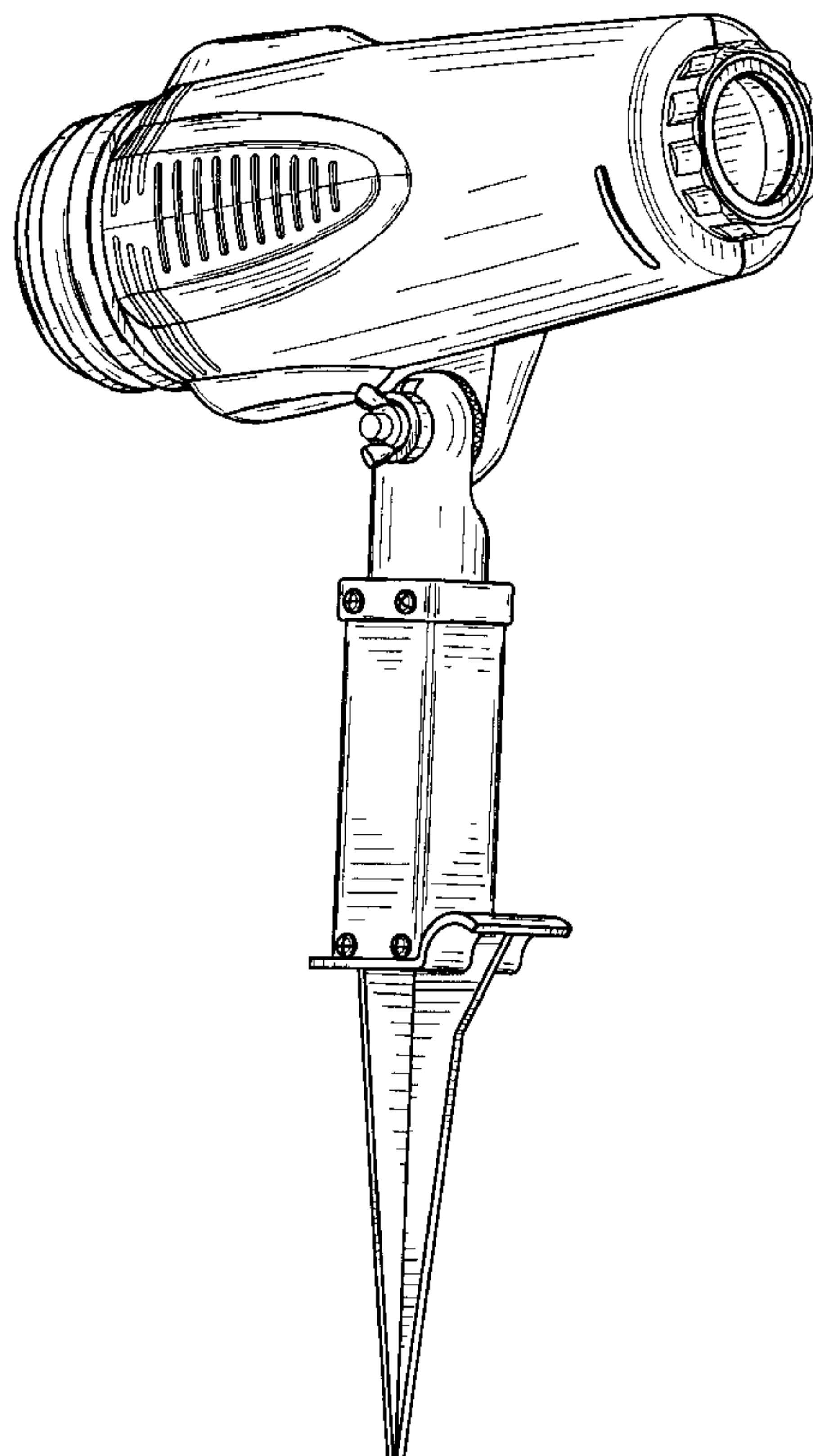
FIG. 4 is a rear elevation view thereof;

FIG. 5 is a left side elevation view thereof;

FIG. 6 is a top plan view thereof; and,

FIG. 7 is a bottom plan view thereof.

**1 Claim, 4 Drawing Sheets**



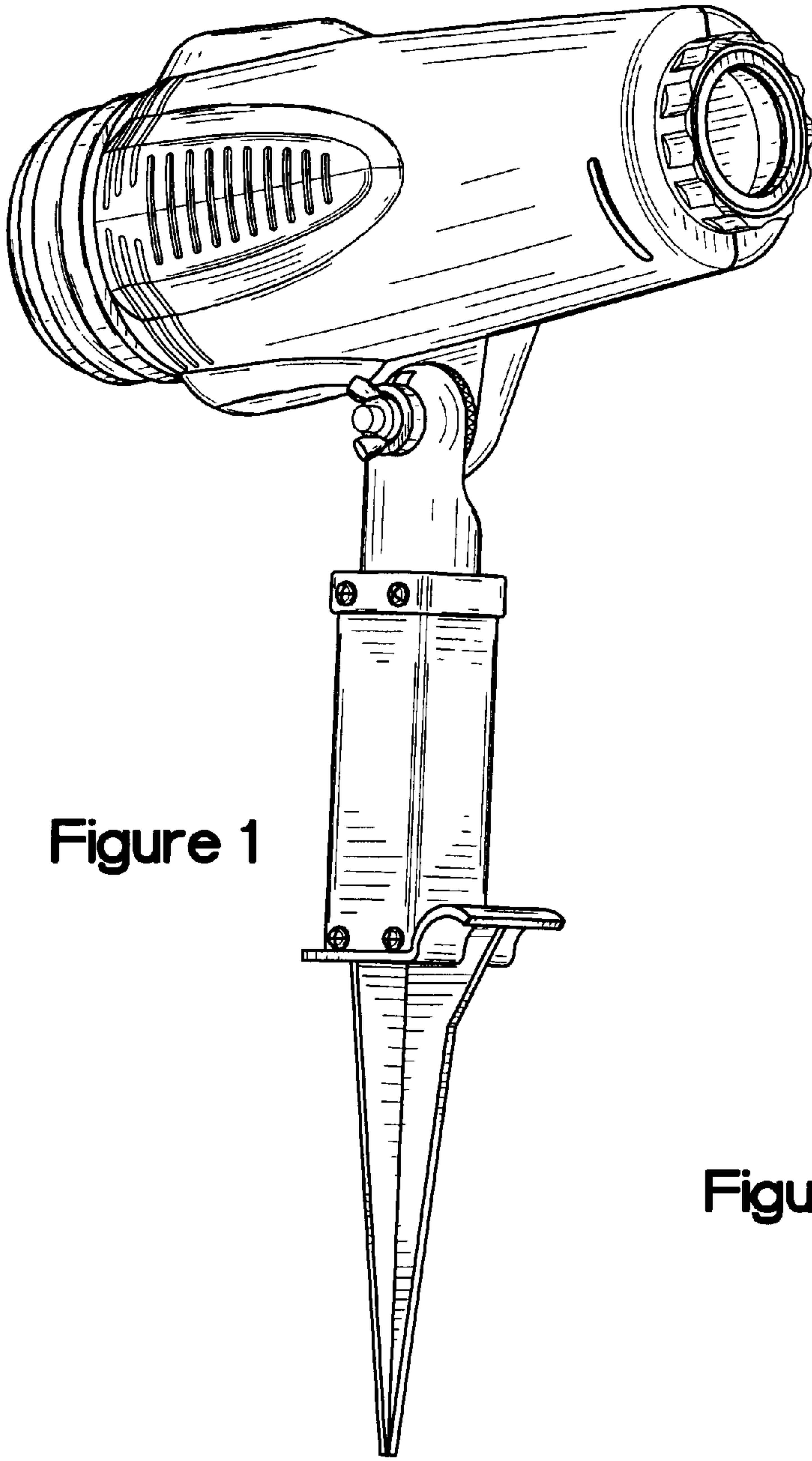


Figure 1

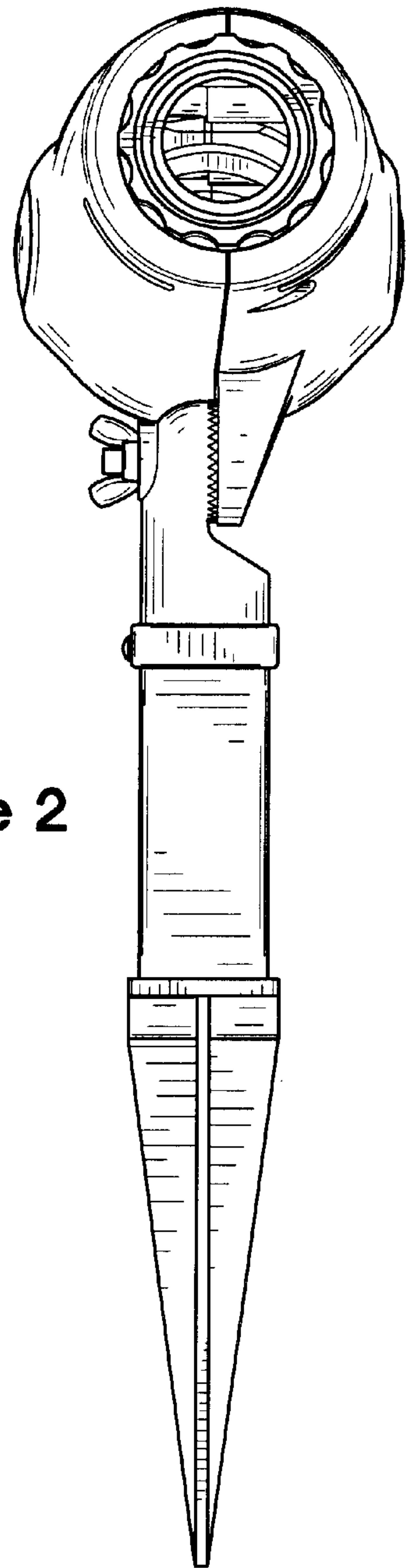


Figure 2

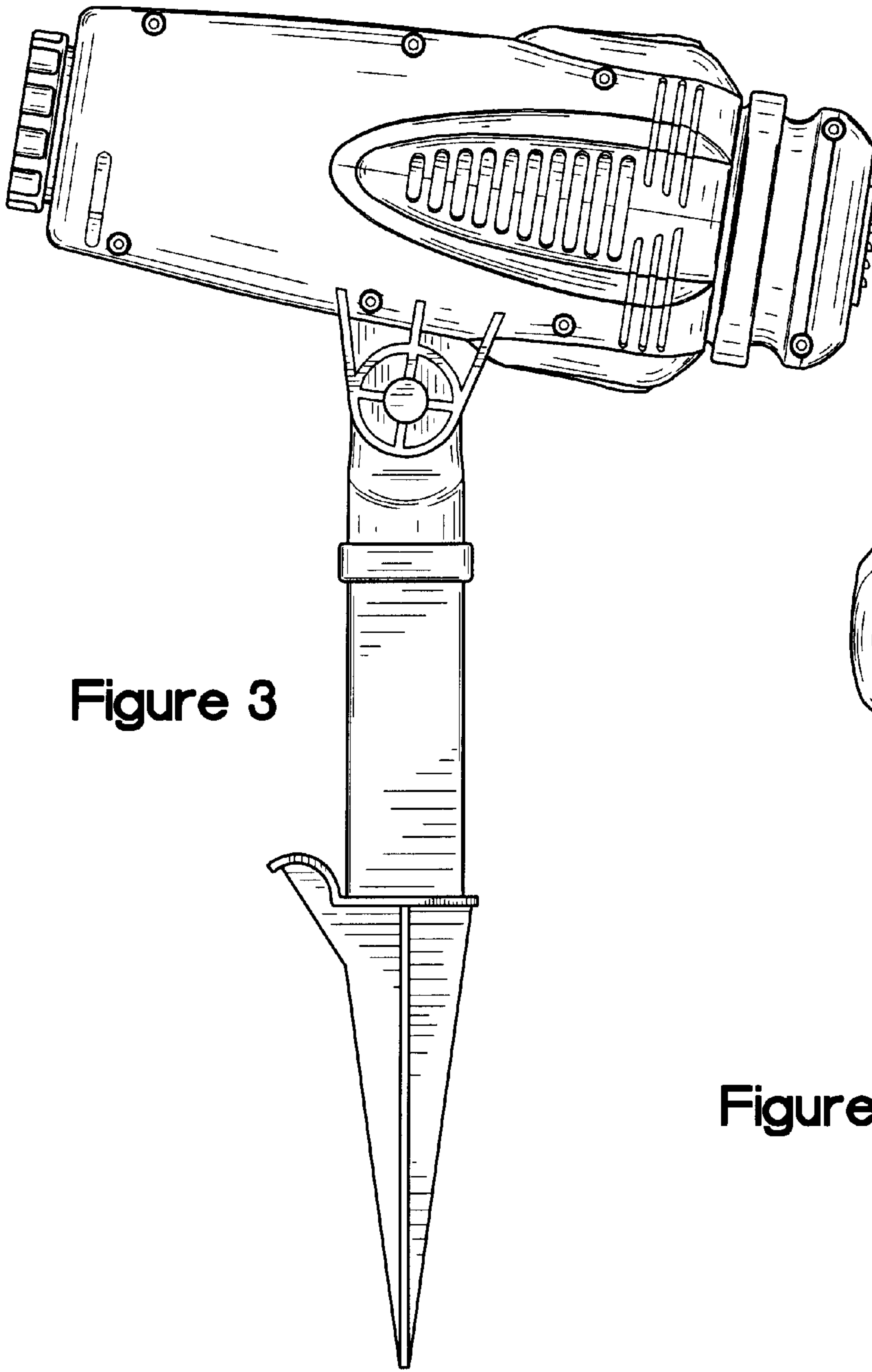


Figure 3

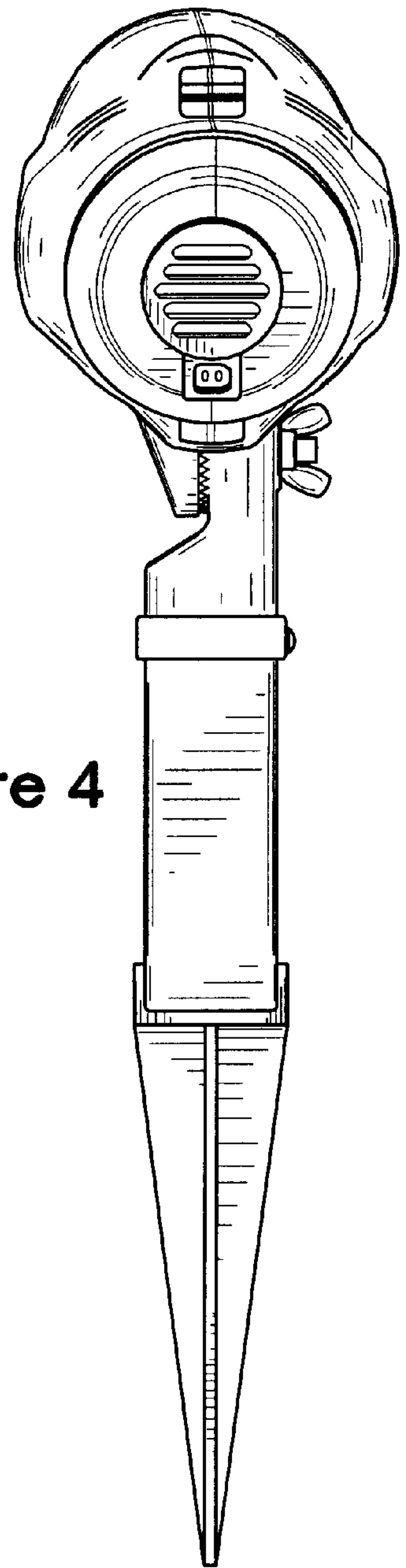


Figure 4

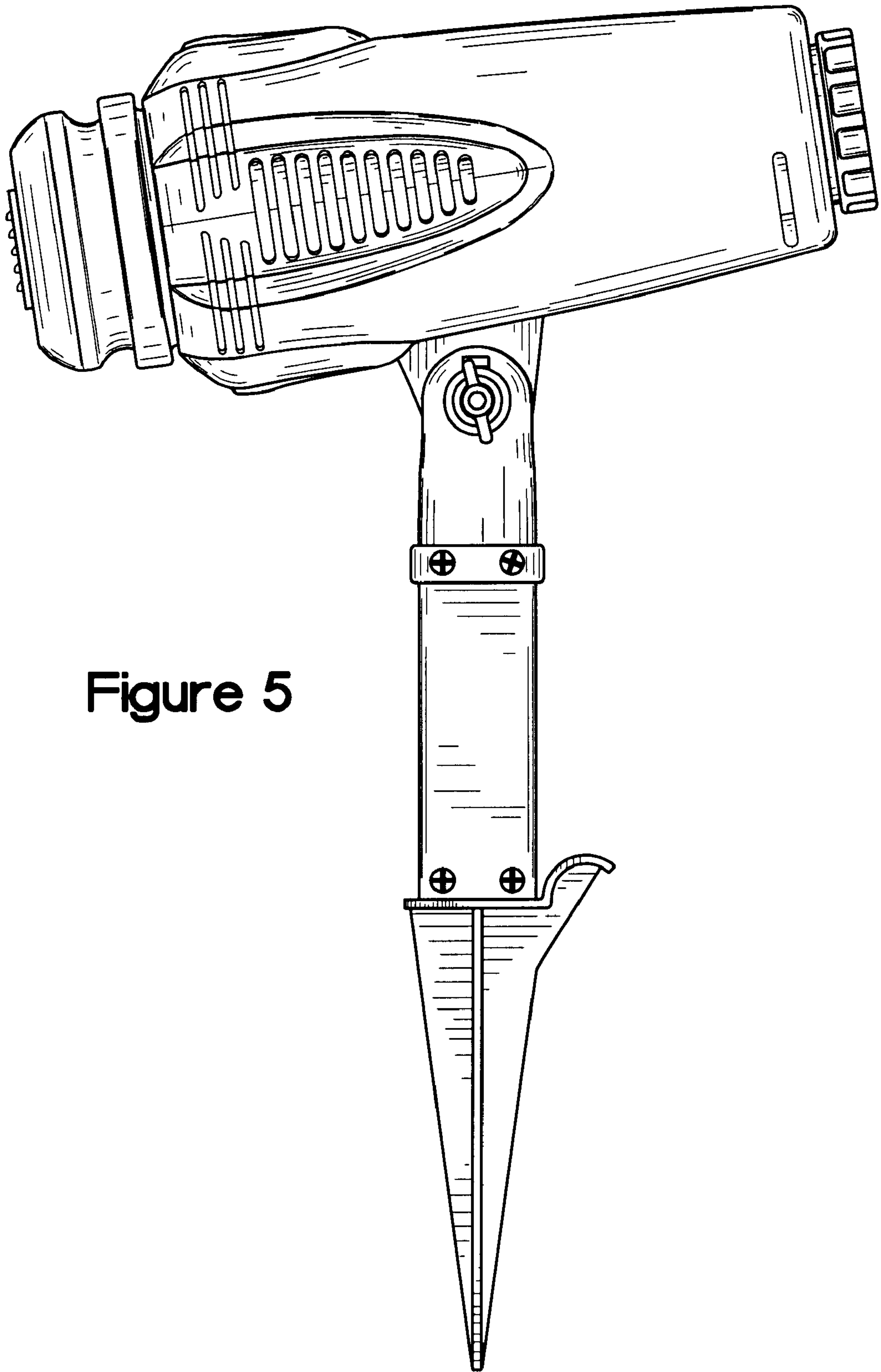


Figure 5

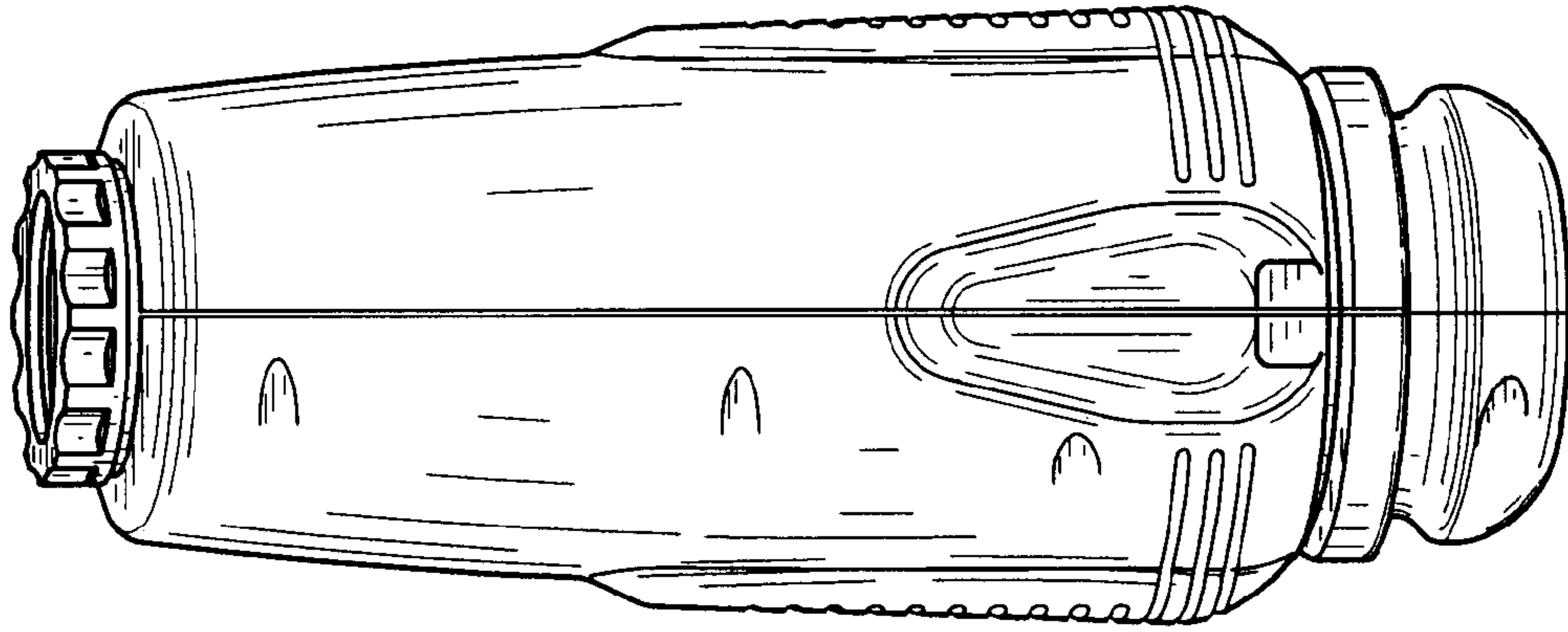


Figure 6

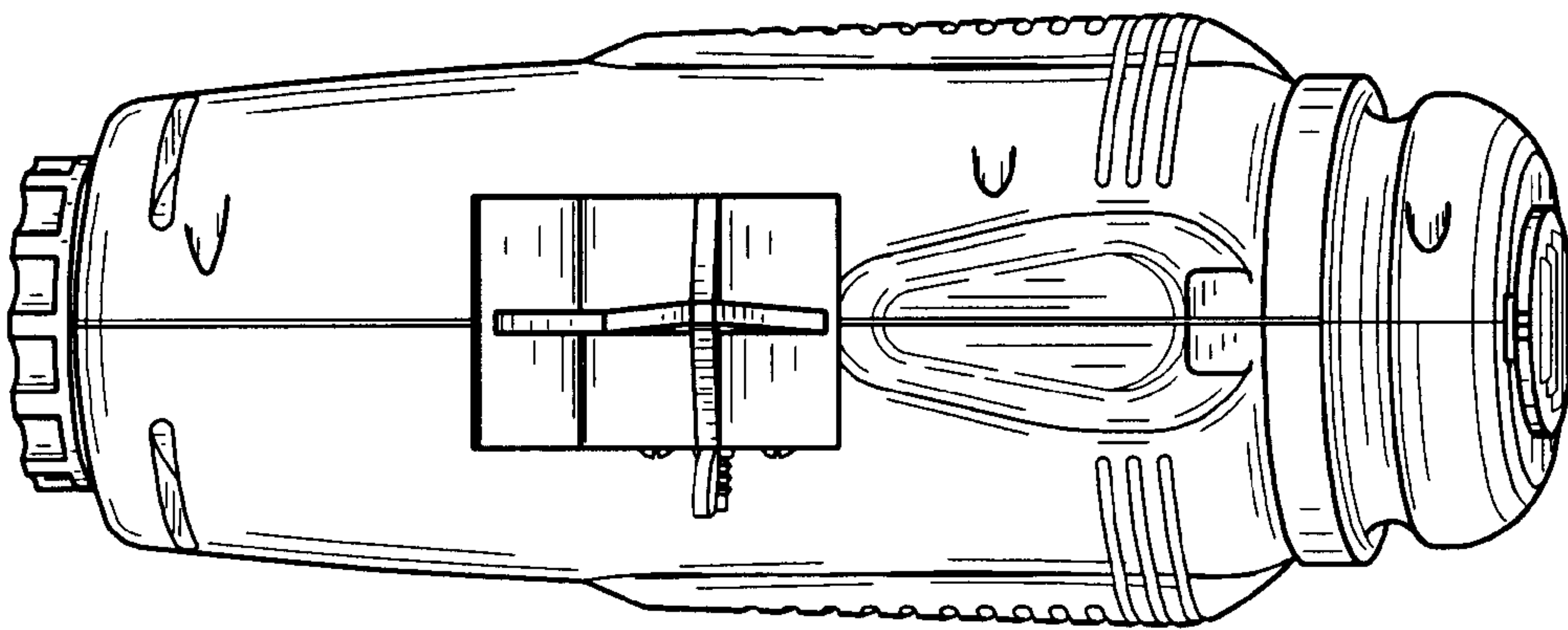


Figure 7