



US00D487902S

(12) **United States Design Patent**
Nielsen et al.

(10) **Patent No.:** **US D487,902 S**
(45) **Date of Patent:** **** Mar. 30, 2004**

(54) **LINEAR ACTUATOR**

(75) Inventors: **Jens Jørgen Nielsen**, Broager (DK);
Finn Jacobsen, Nordborg (DK);
Martin Riis, Nordborg (DK)

(73) Assignee: **Linak A/S**, Nordborg (DK)

(**) Term: **14 Years**

(21) Appl. No.: **29/164,477**

(22) Filed: **Jul. 26, 2002**

(30) **Foreign Application Priority Data**

Jan. 30, 2002 (DK) DA 2002 00080
Jan. 30, 2002 (DK) DA 2002 00079

(51) **LOC (7) Cl.** **15-09**

(52) **U.S. Cl.** **D15/143; D15/5**

(58) **Field of Search** D15/5, 148, 199,
D15/143; 92/88, 137; 410/30; 414/401,
584; 188/32; 254/98; 384/53, 43, 49

(56) **References Cited**

U.S. PATENT DOCUMENTS

5,531,557 A * 7/1996 Springer 414/401
D407,409 S * 3/1999 Masuda et al. D15/199 X

* cited by examiner

Primary Examiner—Antoine Duval Davis

(74) *Attorney, Agent, or Firm*—Dykema Gossett PLLC

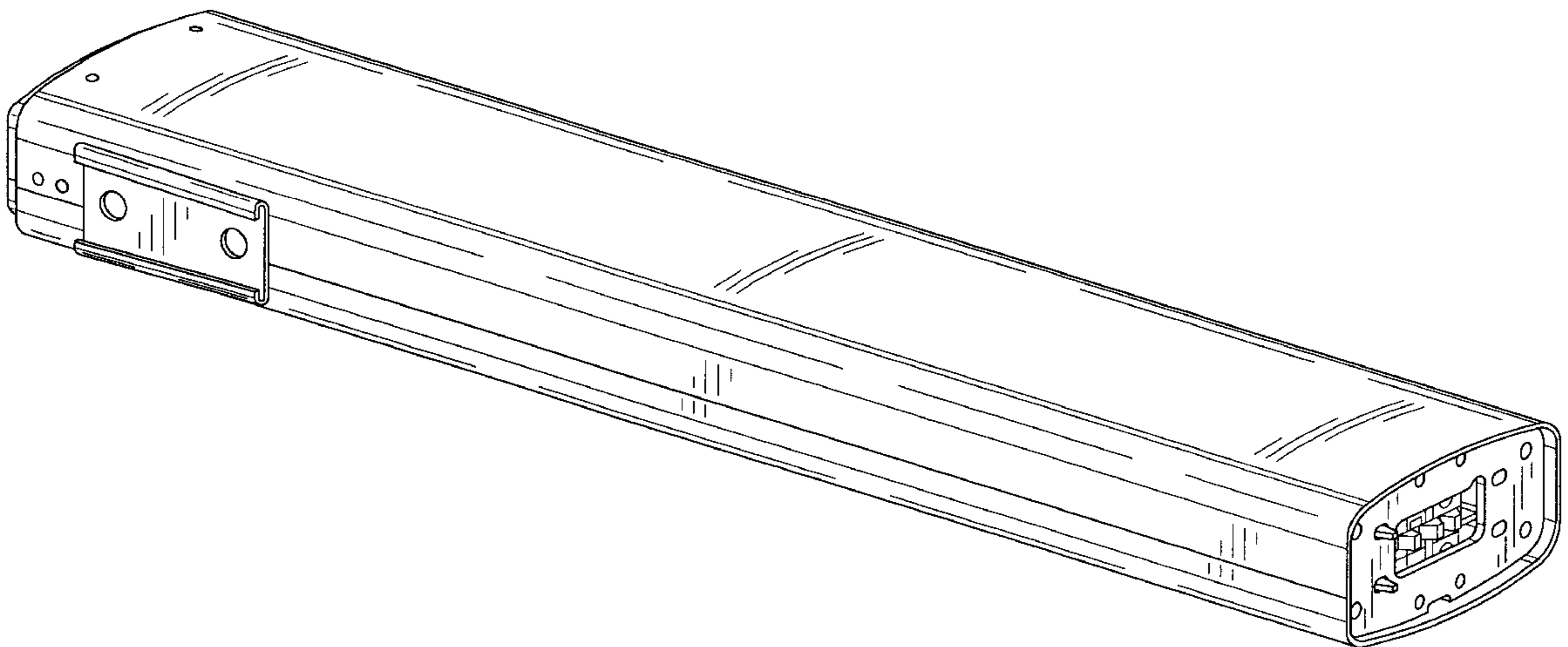
(57) **CLAIM**

The ornamental design for a linear actuator, as shown and described.

DESCRIPTION

FIG. 1 is a perspective top view of the linear actuator according to our design,
FIG. 1a is a view similar to FIG. 1 but from the opposite side and wherein the linear actuator is in an extended state,
FIG. 2 is a perspective top view thereof,
FIG. 2a is a view similar to FIG. 2 but from the opposite side and when in an extended state,
FIG. 3 is an elevational front view thereof,
FIG. 3a is a view similar to FIG. 3 but in an extended state,
FIG. 4 is an elevational right side view thereof,
FIG. 4a is a view similar to FIG. 4 but in an extended state,
FIG. 5 is a top plan view thereof,
FIG. 5a is a view similar to FIG. 5 but in an extended state,
FIG. 6 is an elevational rear view thereof,
FIG. 6a is a view similar to FIG. 6 but in an extended state,
FIG. 7 is an elevational left side view thereof,
FIG. 7a is a view similar to FIG. 7 but in an extended state,
FIG. 8 is a bottom plan view thereof; and,
FIG. 8a is a view similar to FIG. 8 but in an extended state.

1 Claim, 4 Drawing Sheets



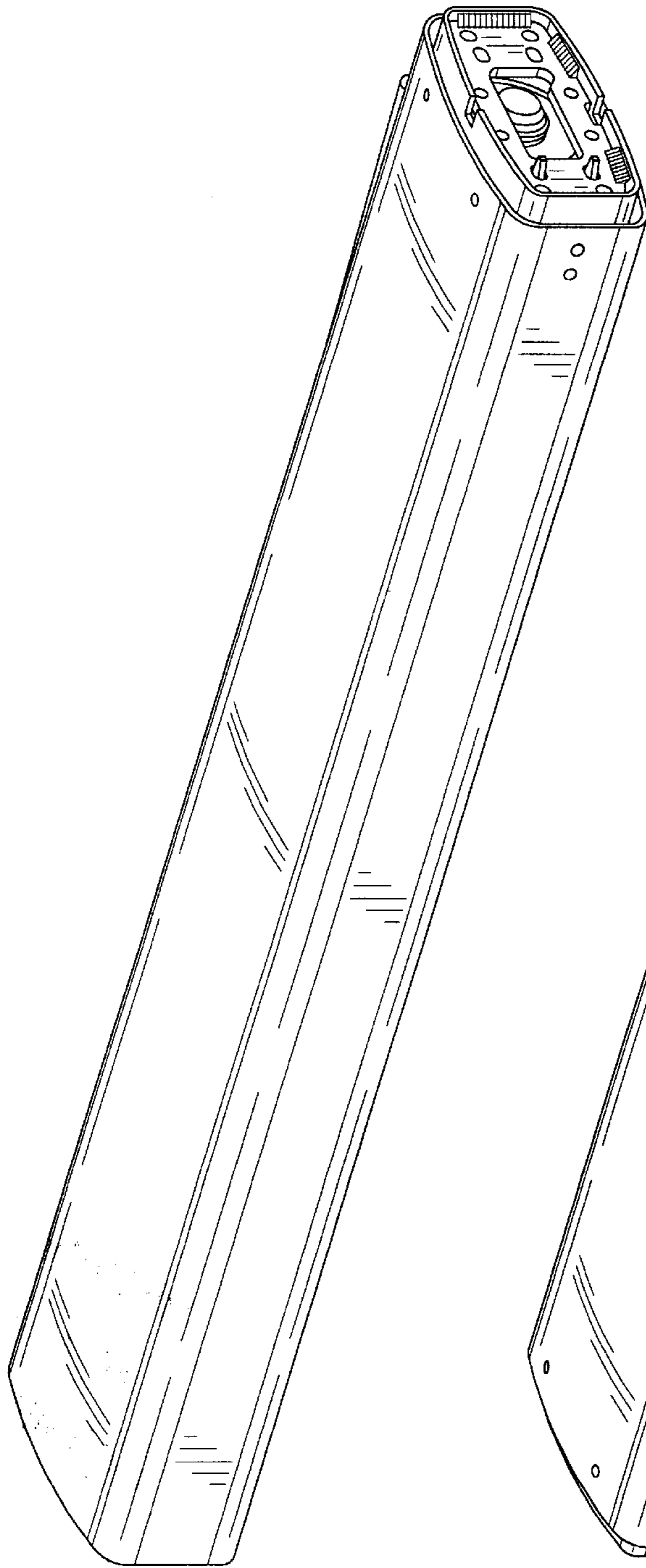


FIG. 2

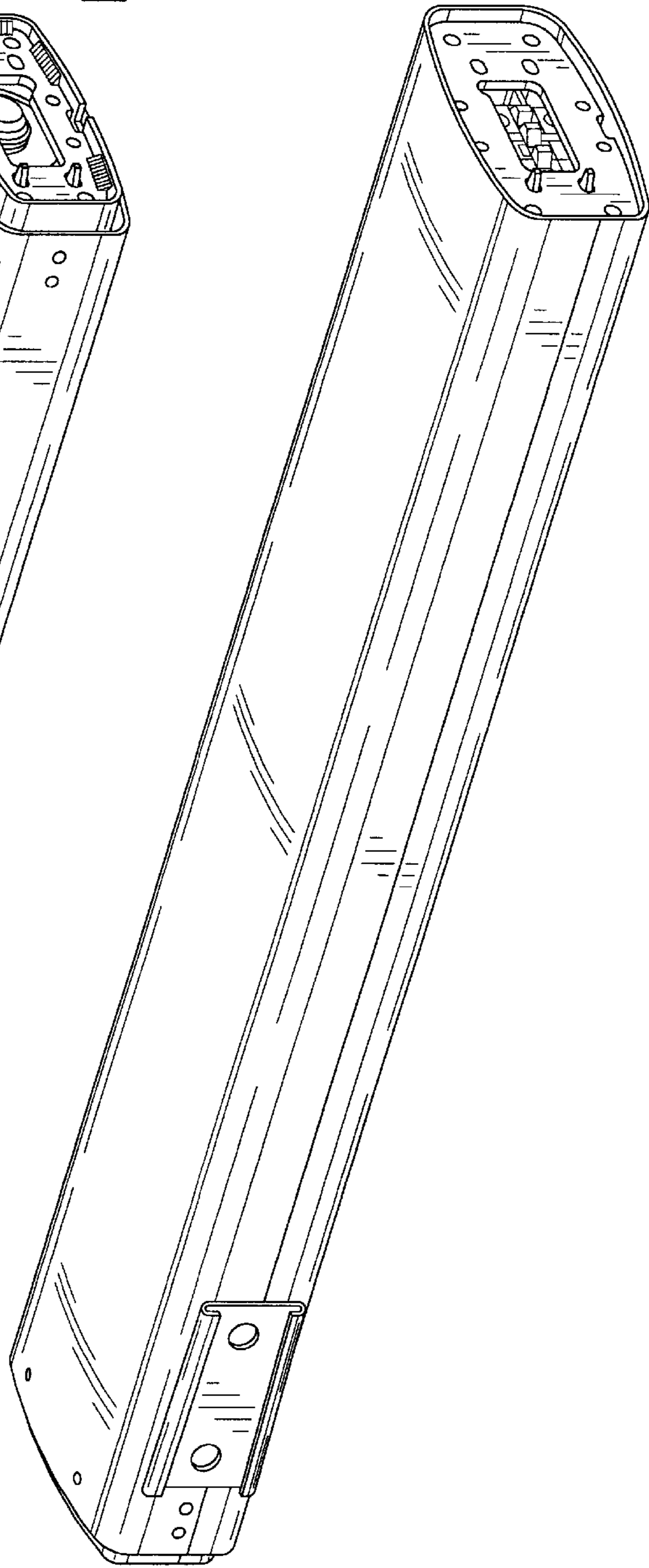


FIG. 1

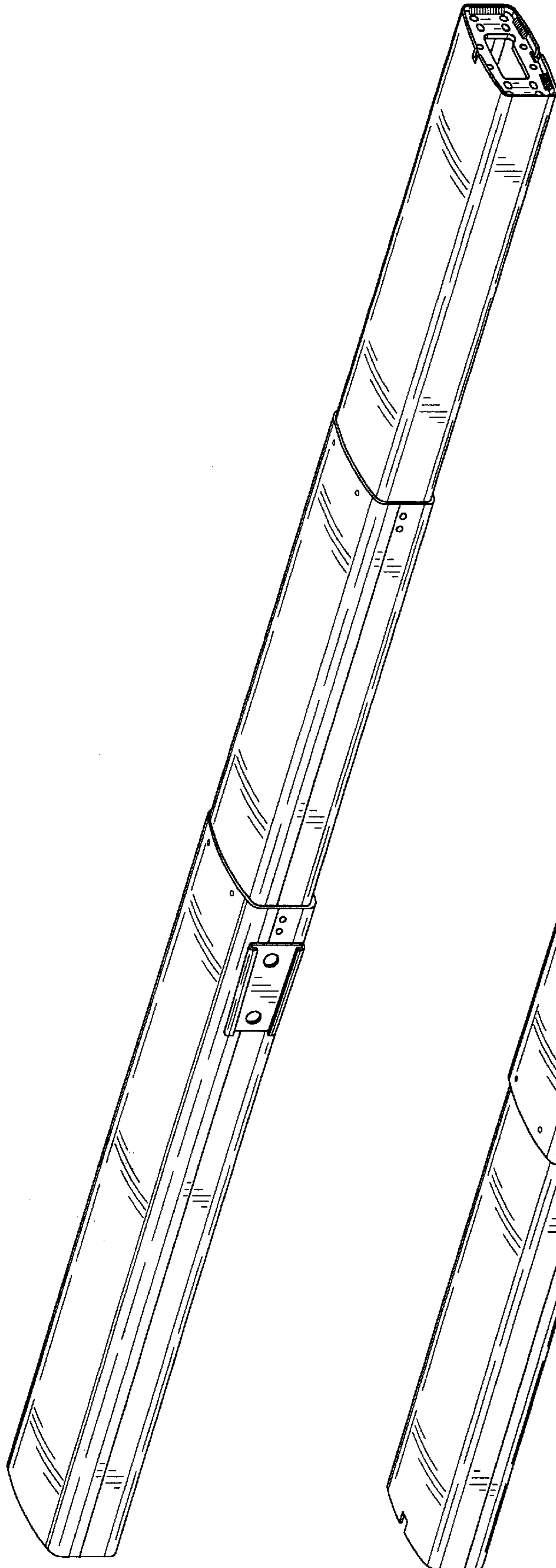


FIG. 2a

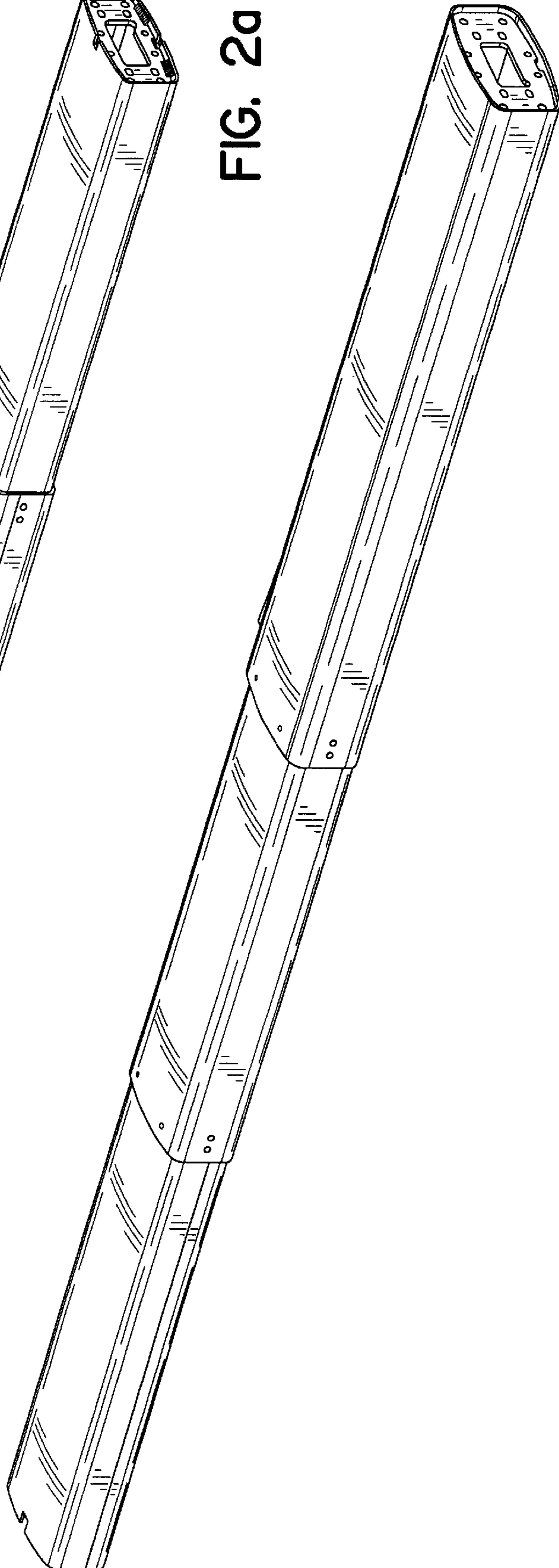


FIG. 1a

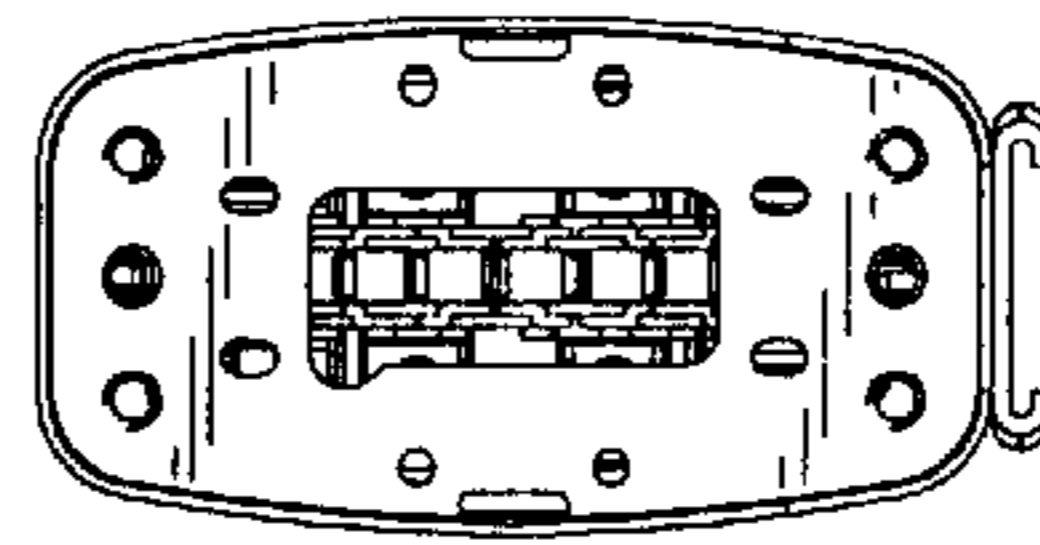


FIG. 8

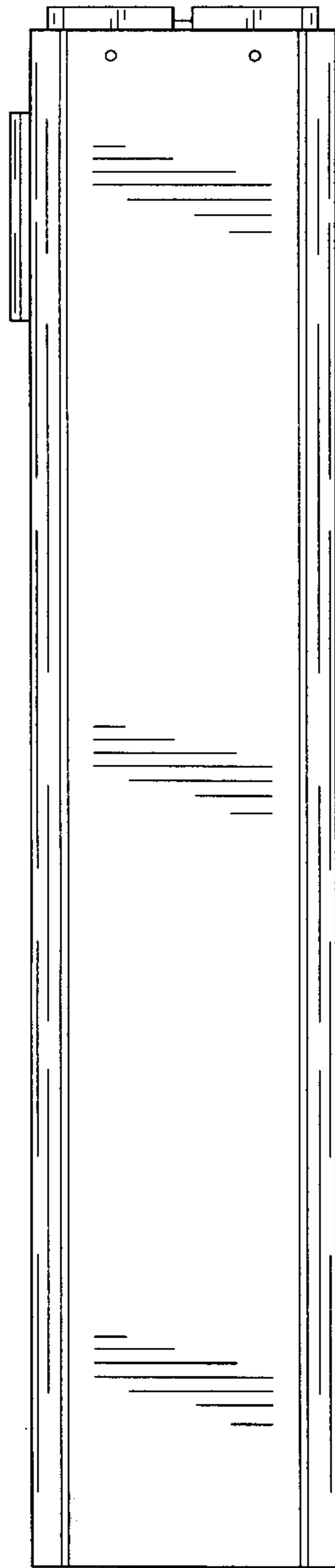


FIG. 7

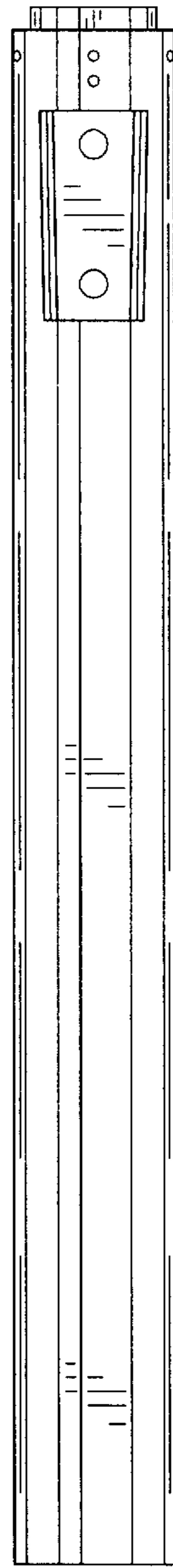


FIG. 6

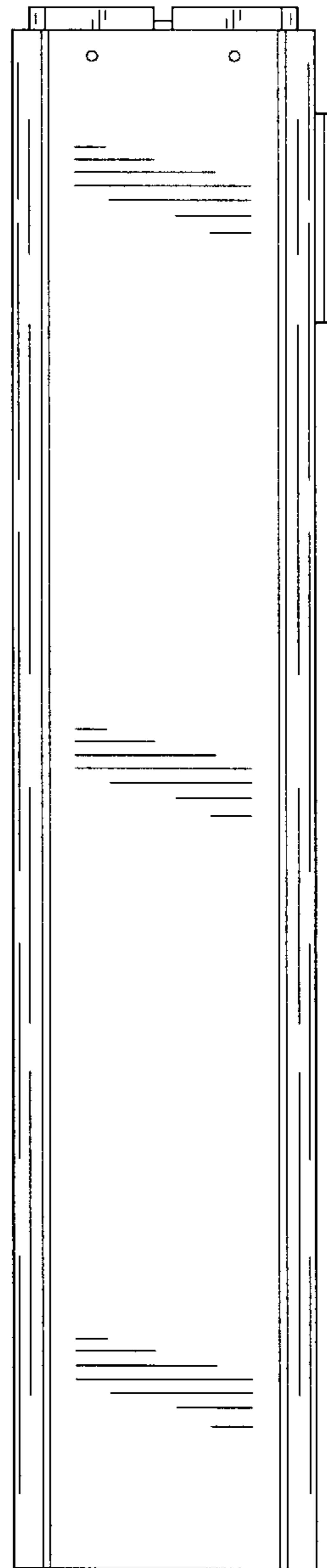


FIG. 4

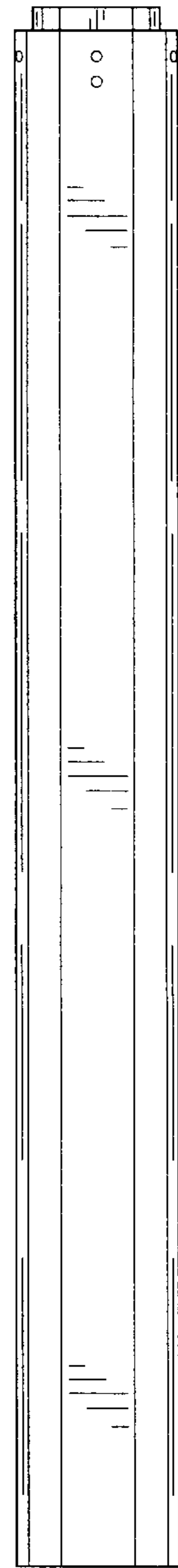


FIG. 3

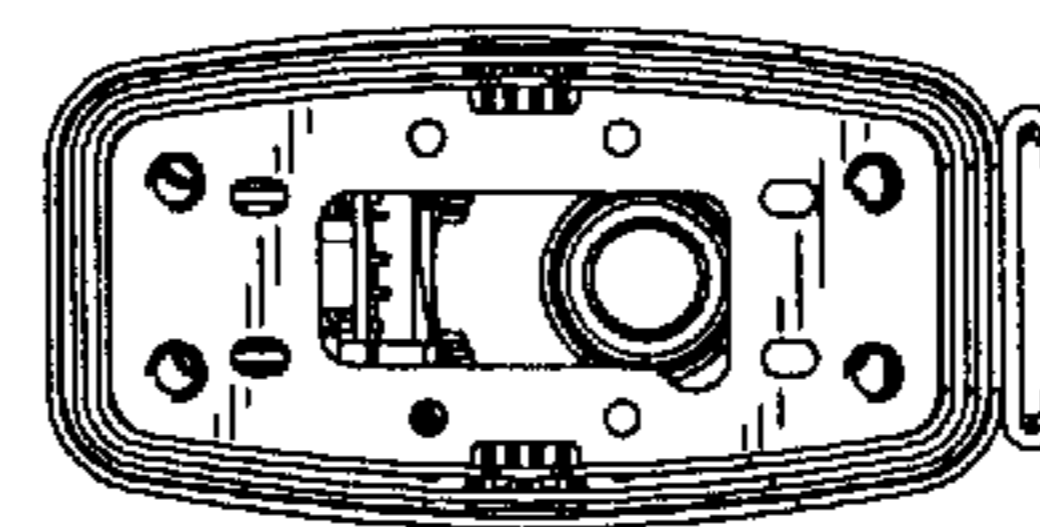


FIG. 5

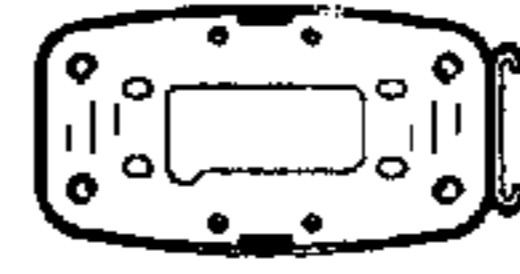


FIG. 8a

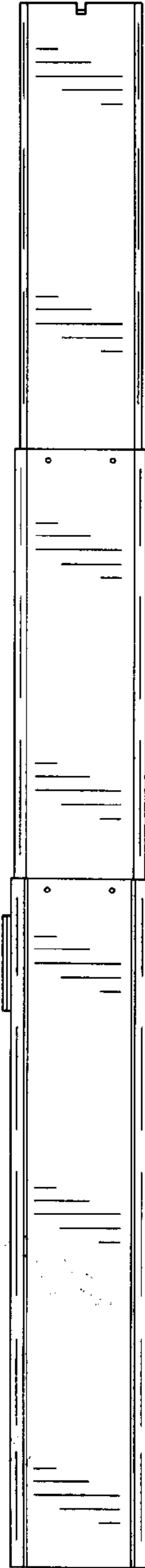


FIG. 7a

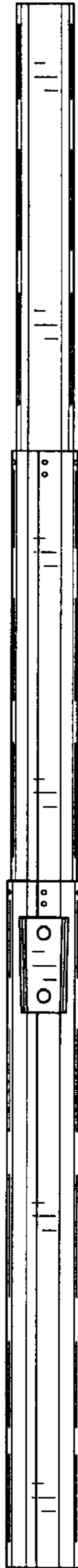


FIG. 6a

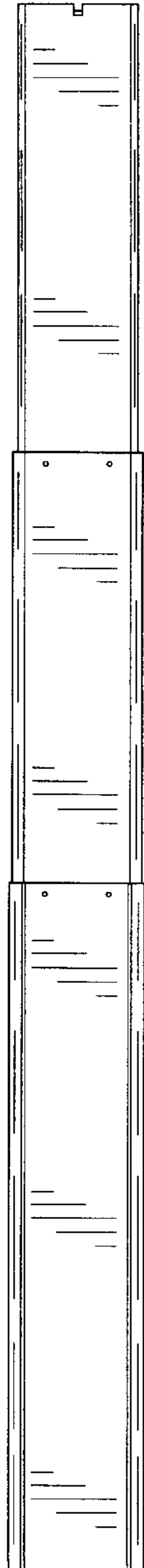


FIG. 4a



FIG. 3a

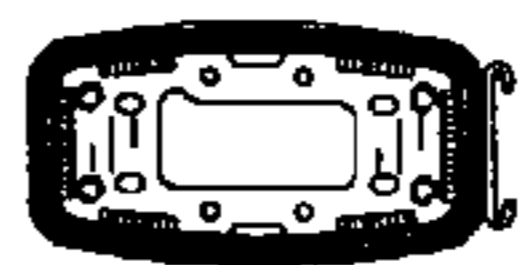


FIG. 5a

UNITED STATES PATENT AND TRADEMARK OFFICE
CERTIFICATE OF CORRECTION

PATENT NO. : Des. 487,902 S
DATED : March 20, 2004
INVENTOR(S) : Jens J. Nielsen et al.

Page 1 of 1

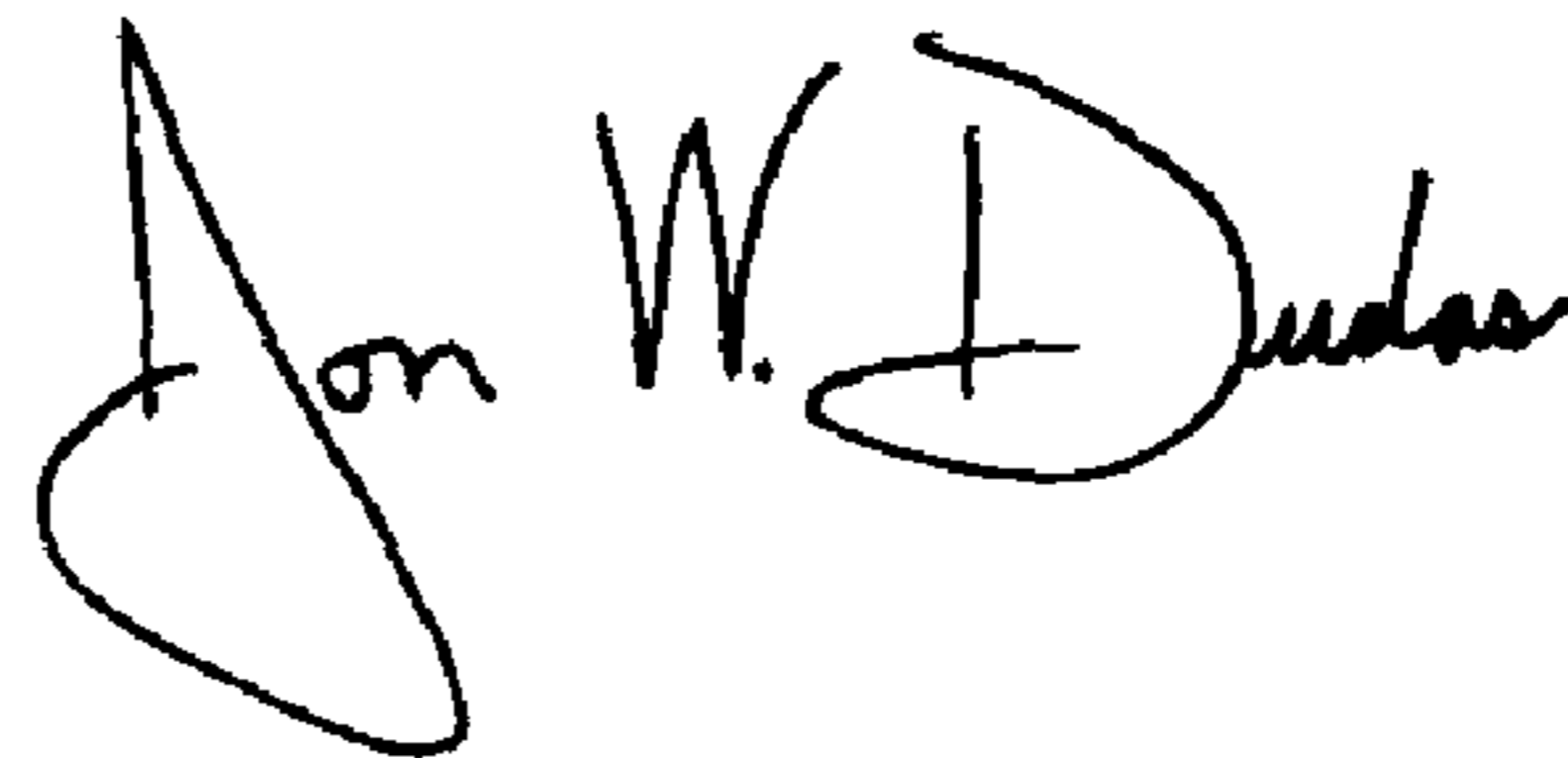
It is certified that error appears in the above-identified patent and that said Letters Patent is hereby corrected as shown below:

Title page,
Item [30], **Foreign Application Priority Data,**

-- January 30, 2002 (DK).....DA 2002 00079
January 30, 2002 (DK).....DA 2002 00080
May 1, 2002 (DK).....DA 2002 00357 --

Signed and Sealed this

Twenty-first Day of September, 2004



JON W. DUDAS
Director of the United States Patent and Trademark Office