



US00D487899S

(12) **United States Design Patent**
Poon

(10) **Patent No.:** **US D487,899 S**

(45) **Date of Patent:** **** Mar. 30, 2004**

(54) **AIR PUMP**

(75) **Inventor:** **Tit Wing Poon, Shatin (CN)**

(73) **Assignee:** **Flying Dragon Development Ltd.,
Shatin (CN)**

(**) **Term:** **14 Years**

(21) **Appl. No.:** **29/172,737**

(22) **Filed:** **Dec. 17, 2002**

(51) **LOC (7) Cl.** **15-02**

(52) **U.S. Cl.** **D15/7**

(58) **Field of Search** D11/7-9; 417/234,
417/410.4, 237; D28/54.1, 12, 13; 392/385

(56) **References Cited**

U.S. PATENT DOCUMENTS

| | | | | | |
|------------|---|---------|----------|-------|-------|
| D248,396 S | * | 7/1978 | Sendak | | D15/7 |
| D400,892 S | * | 11/1998 | Williams | | D15/9 |
| D415,500 S | * | 10/1999 | Poon | | D15/7 |
| D425,912 S | * | 5/2000 | Poon | | D15/7 |
| D451,521 S | * | 12/2001 | Poon | | D15/7 |

| | | | | | |
|------------|---|---------|----------------|-------|-------|
| D464,976 S | * | 10/2002 | Krieger et al. | | D15/7 |
| D467,941 S | * | 12/2002 | Duncan | | D15/7 |
| D467,942 S | * | 12/2002 | Duncan | | D15/7 |
| D470,863 S | * | 2/2003 | Williams | | D15/7 |

* cited by examiner

Primary Examiner—Ralf Seifert

(74) *Attorney, Agent, or Firm*—Alix, Yale & Ristas, LLP

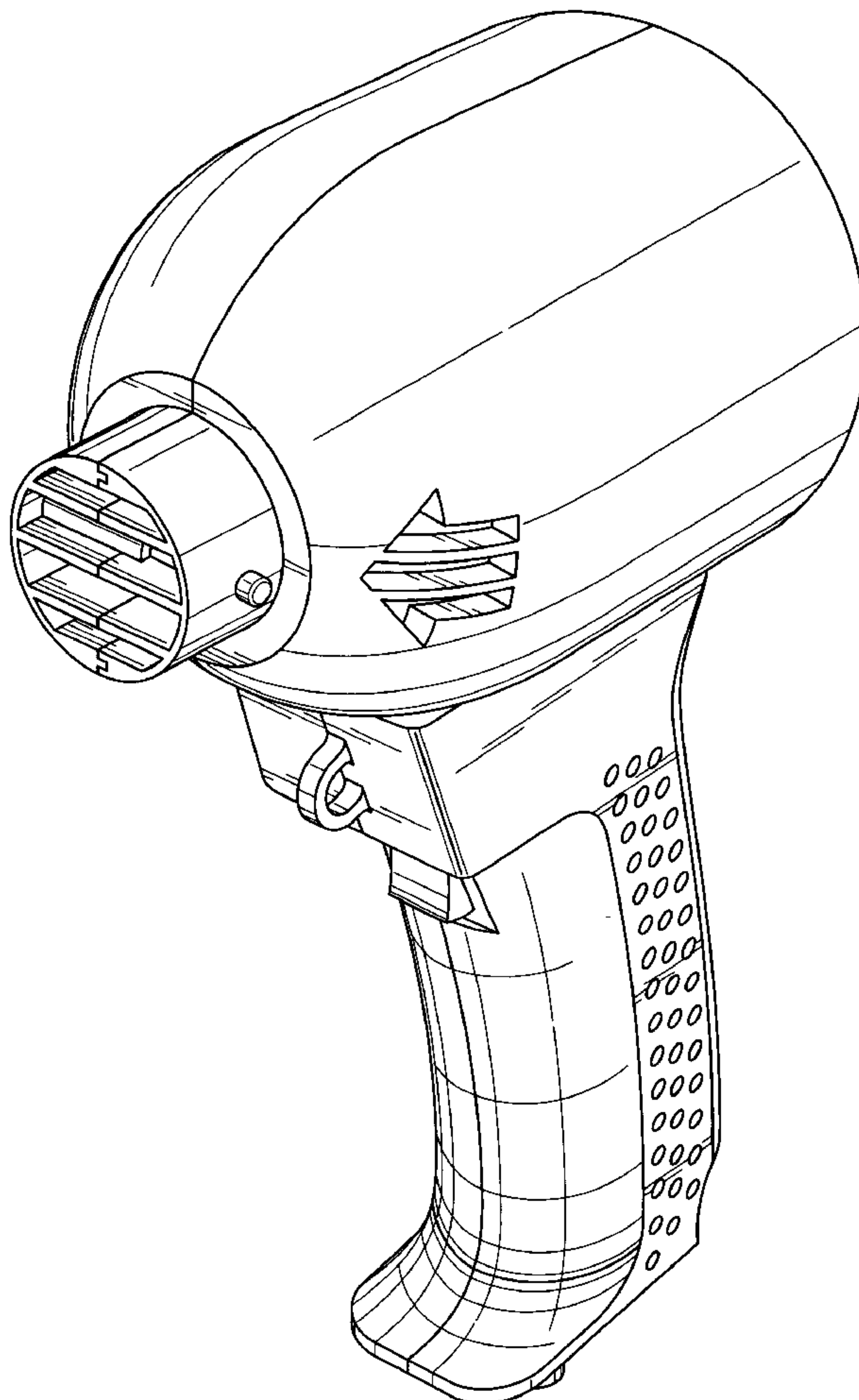
(57) **CLAIM**

The ornamental design for an air pump, as shown and described.

DESCRIPTION

FIG. 1 is a front perspective view of the air pump showing my new design;
FIG. 2 is a front view of the air pump of FIG. 1;
FIG. 3 is a rear view of the air pump of FIG. 1;
FIG. 4 is a right side view of the air pump of FIG. 1;
FIG. 5 is a left side view of the air pump of FIG. 1;
FIG. 6 is a top plan view of the air pump of FIG. 1; and,
FIG. 7 is a bottom plan view of the air pump of FIG. 1.

1 Claim, 5 Drawing Sheets



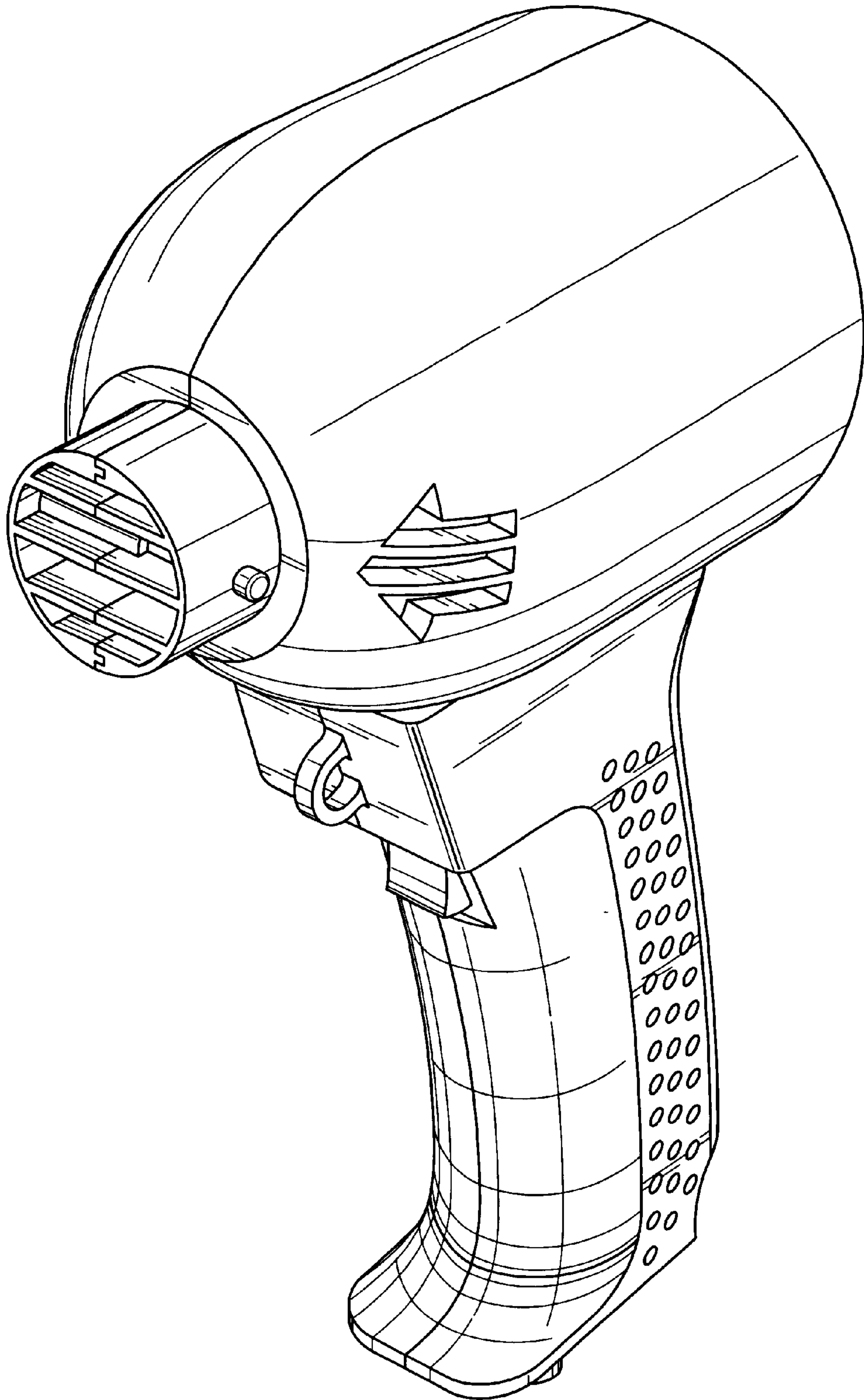


FIG. 1

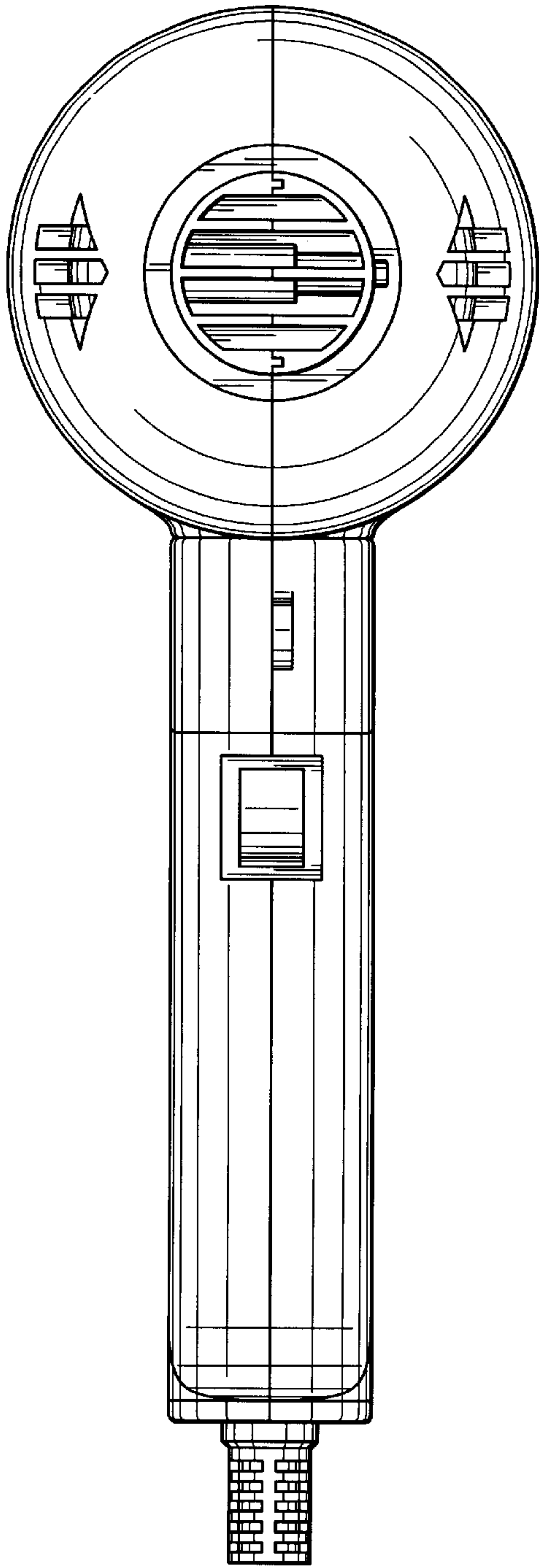


FIG. 2

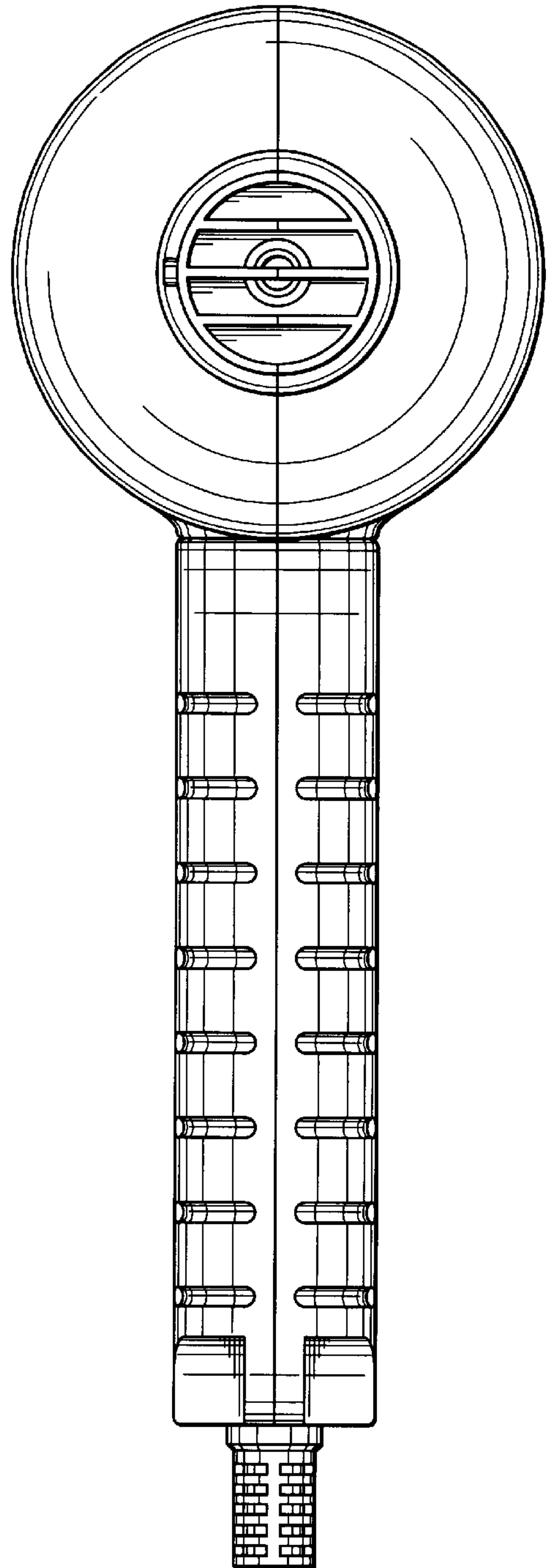


FIG. 3

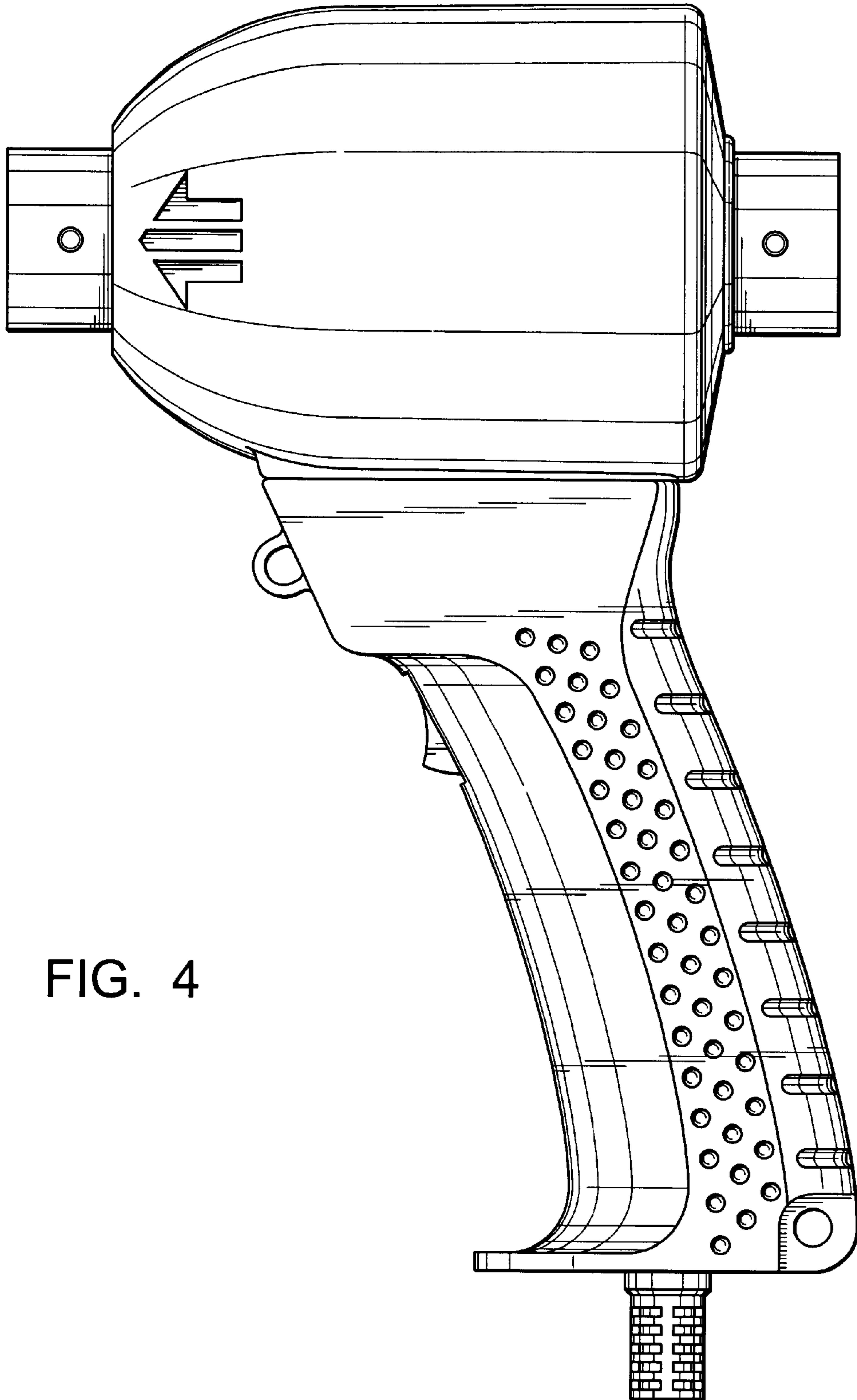


FIG. 4

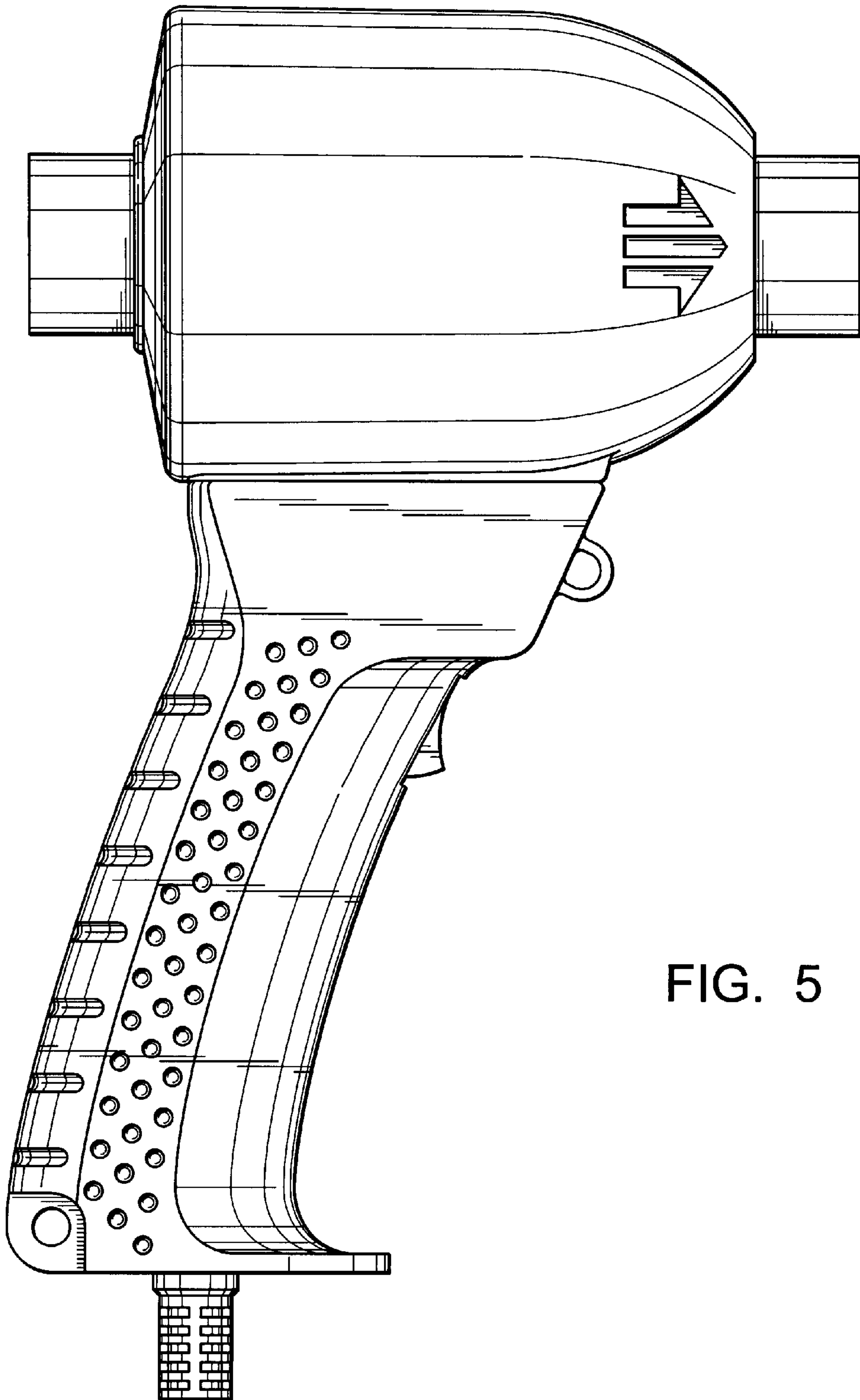


FIG. 5

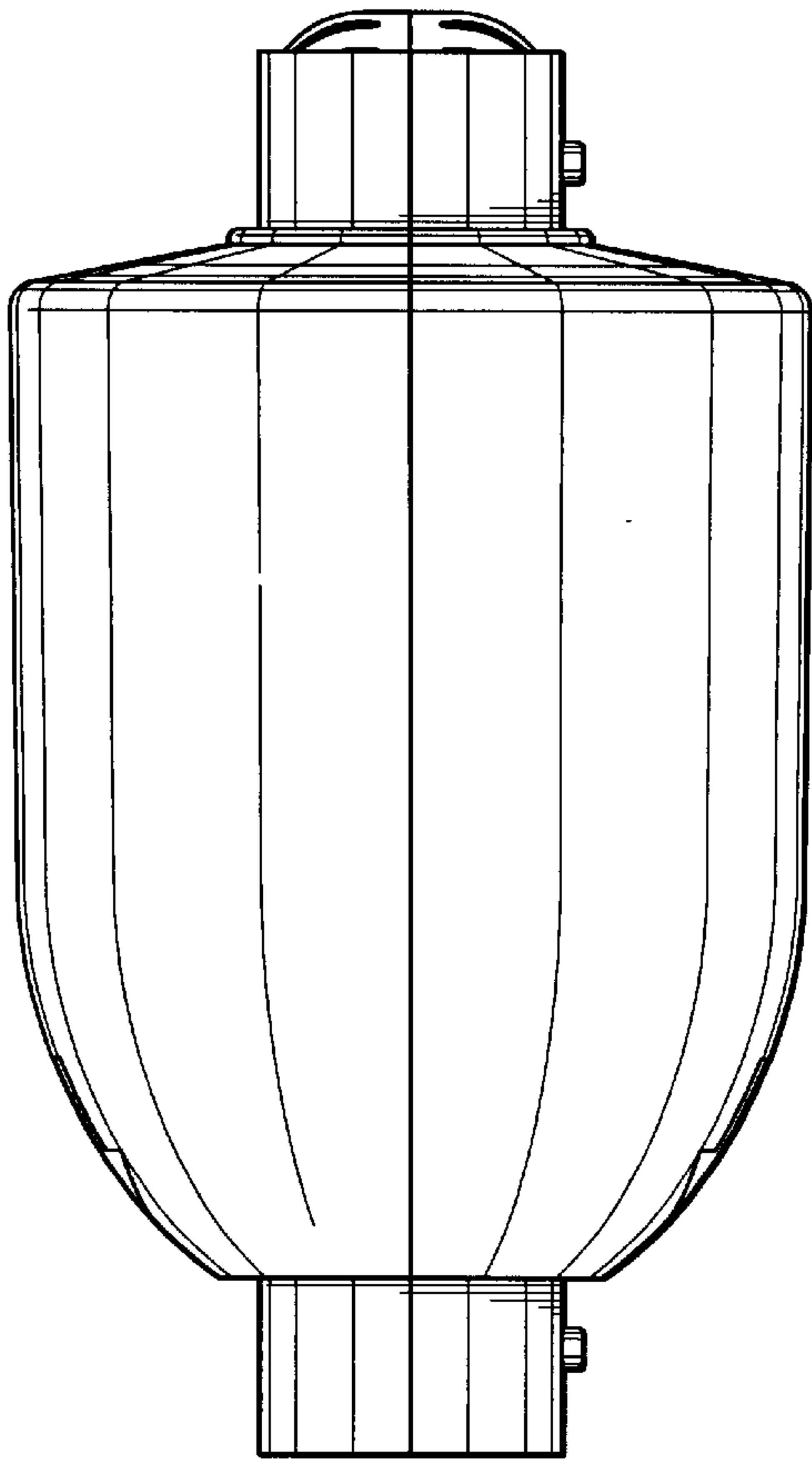


FIG. 6

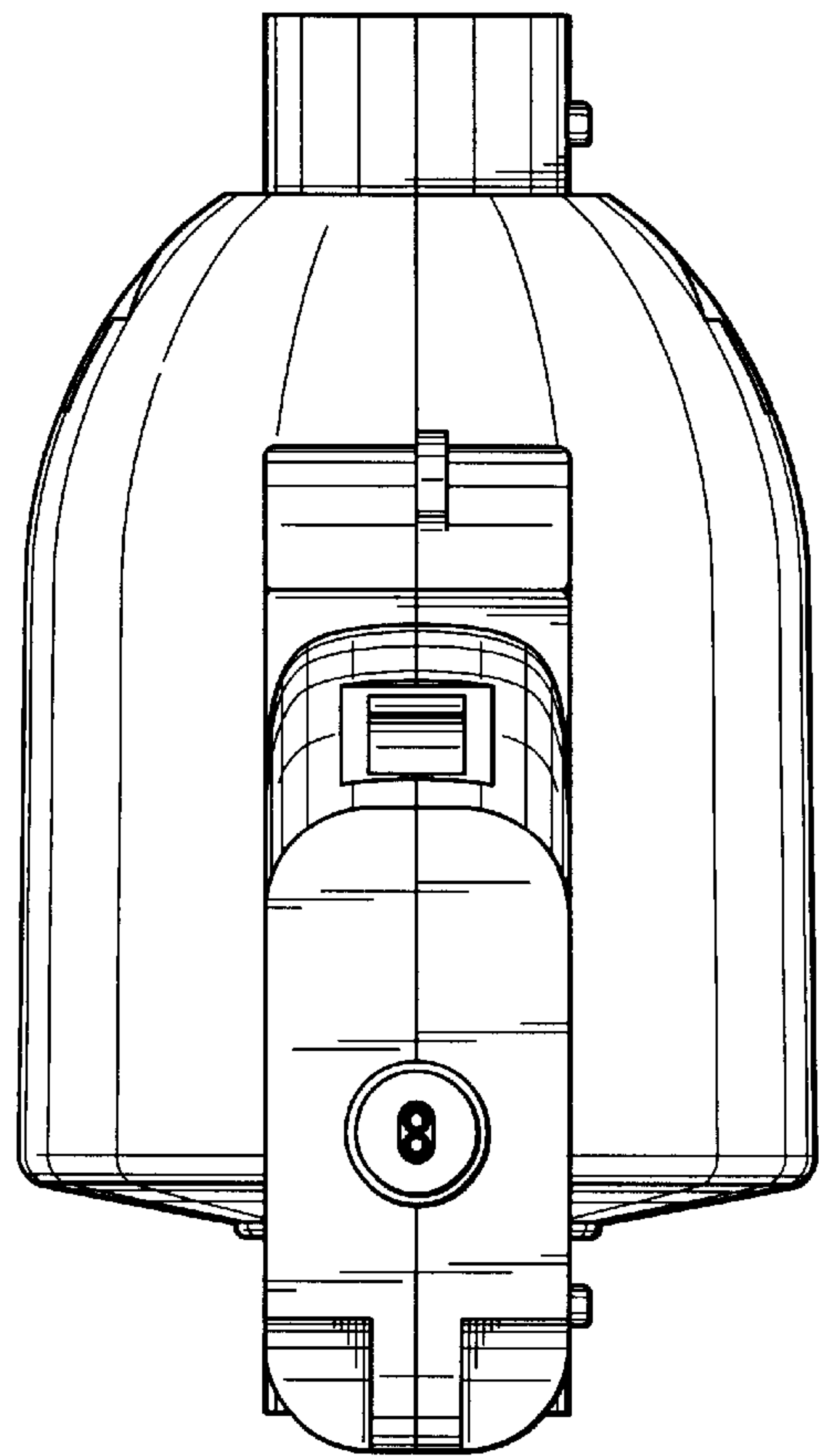


FIG. 7