



US00D487894S

(12) **United States Design Patent**  
**Allen et al.**

(10) **Patent No.:** **US D487,894 S**  
(45) **Date of Patent:** **\*\* Mar. 30, 2004**

(54) **READER FOR A PAYMENT DEVICE**

(56)

**References Cited**

(76) Inventors: **Chris Allen**, 92 Atlantic Ave., #4D, Brooklyn, NY (US) 11201; **David Bonalle**, 77 Rose Hill Ave., New Rochelle, NY (US) 10804; **Jennifer Elwood**, 245 E. 84th St. Apt. #3E, New York, NY (US) 10028; **Ronald Guillard**, 5214 Livingston Ave., Dallas, TX (US) 75209; **Jeff Kohnle**, 4704 Morning Glory Way, McKinney, TX (US) 75070; **VC Kumar**, 901 Sagebrush Tr., Garland, TX (US) 75044; **Douglas N. Laube**, 13162 County Rd. 550, Farmersville, TX (US) 75442; **Stephen R. Myers**, 1420 Cool Springs, Allen, TX (US) 75013; **Lisa Skilling-Belmond**, 309 W. 57th St., New York, NY (US) 10019; **Judy Vigiletti**, 30 Applebee Farm Rd., Croton on Hudson, NY (US) 10520

**U.S. PATENT DOCUMENTS**

D340,036 S \* 10/1993 Connors et al. .... D14/385  
5,345,090 A \* 9/1994 Hludzinski ..... 250/566  
D422,578 S \* 4/2000 Bertrand et al. .... D14/385  
D430,565 S \* 9/2000 Crane, Jr. et al. .... D14/308  
D444,784 S \* 7/2001 Hsin ..... D14/385

\* cited by examiner

*Primary Examiner*—Freda Nunn  
(74) *Attorney, Agent, or Firm*—Snell & Wilmer LLP; Patrick L. Mixon

(\*\*) Term: **14 Years**

(21) Appl. No.: **29/169,502**

(22) Filed: **Oct. 18, 2002**

(51) **LOC (7) Cl.** ..... **14-02**

(52) **U.S. Cl.** ..... **D14/385**

(58) **Field of Search** ..... D14/383–387,  
D14/308; D18/36, 37, 39; D16/208; 250/556,  
566; 235/380, 382, 382.5

(57)

**CLAIM**

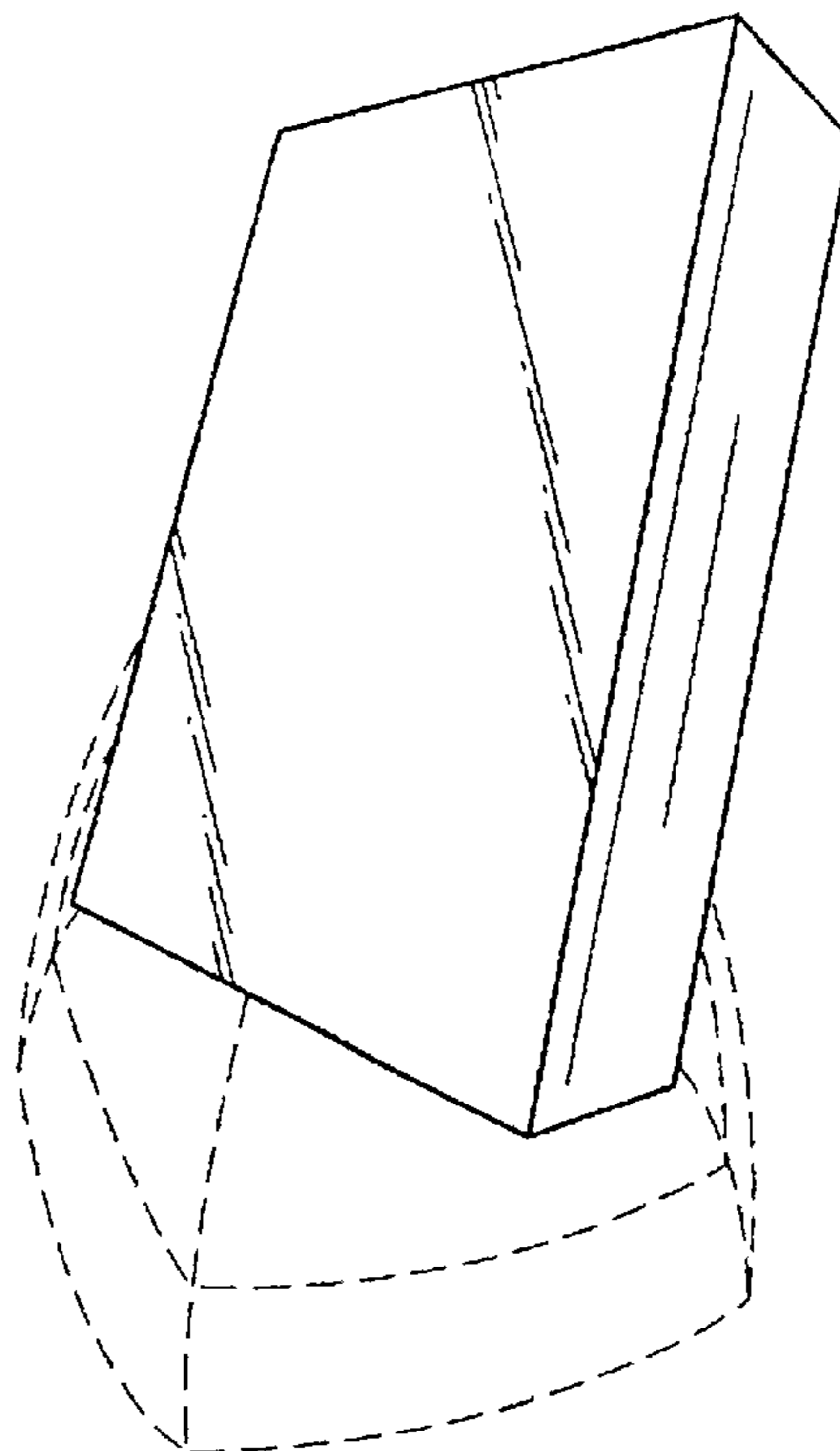
The ornamental design for a reader for a payment device, as shown and described.

**DESCRIPTION**

FIG. 1 is a front view of a reader for a payment device in accordance with our new design;  
FIG. 2 is a rear view thereof;  
FIG. 3 is a side view thereof;  
FIG. 4 is another side view thereof;  
FIG. 5 is a top view thereof;  
FIG. 6 is a bottom view thereof; and,  
FIG. 7 is a perspective view thereof.

The broken lines are shown in the views for illustrative purposes only and form no part of the claimed design.

**1 Claim, 4 Drawing Sheets**



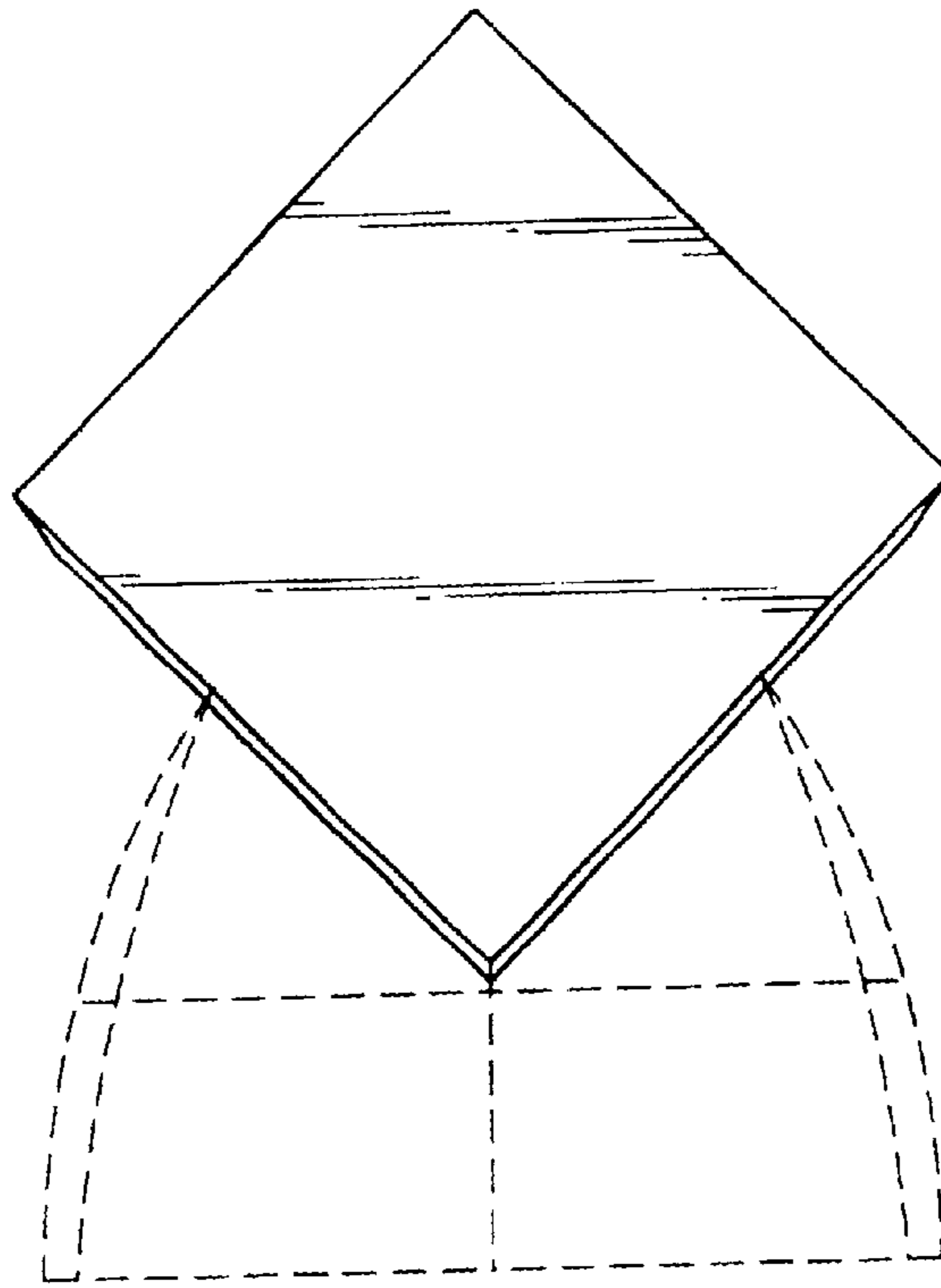


FIG. 1

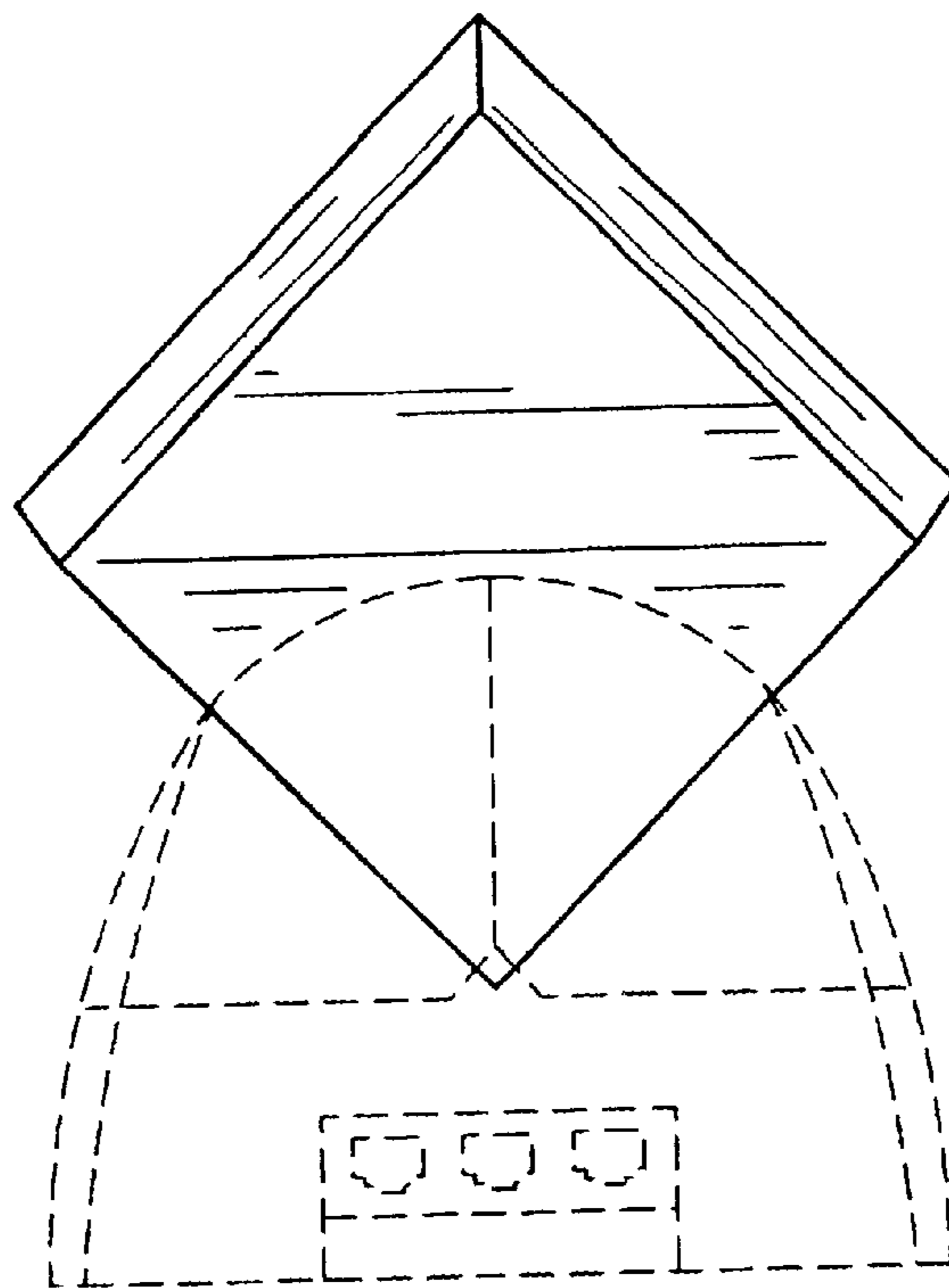


FIG. 2

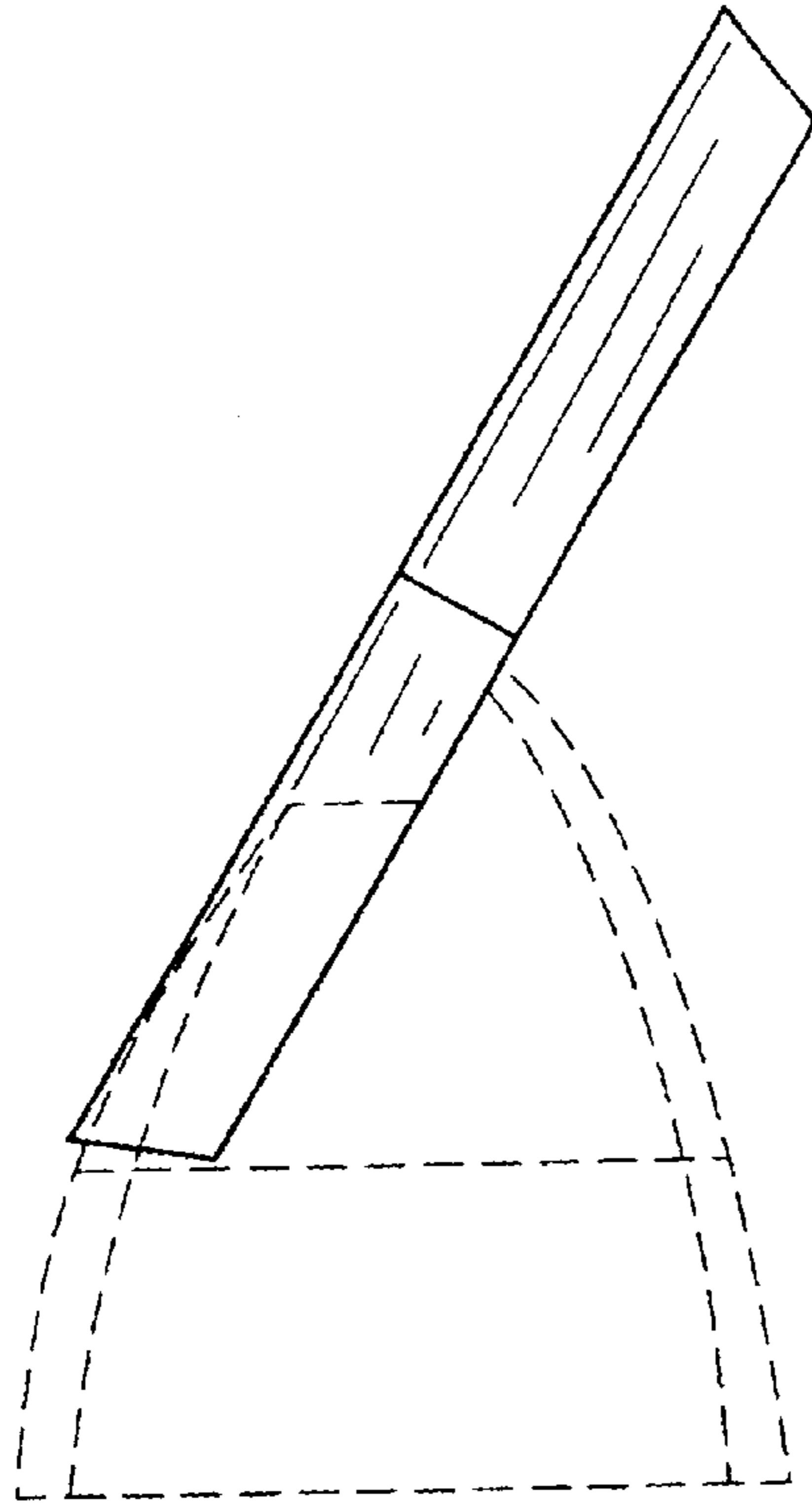


FIG.3

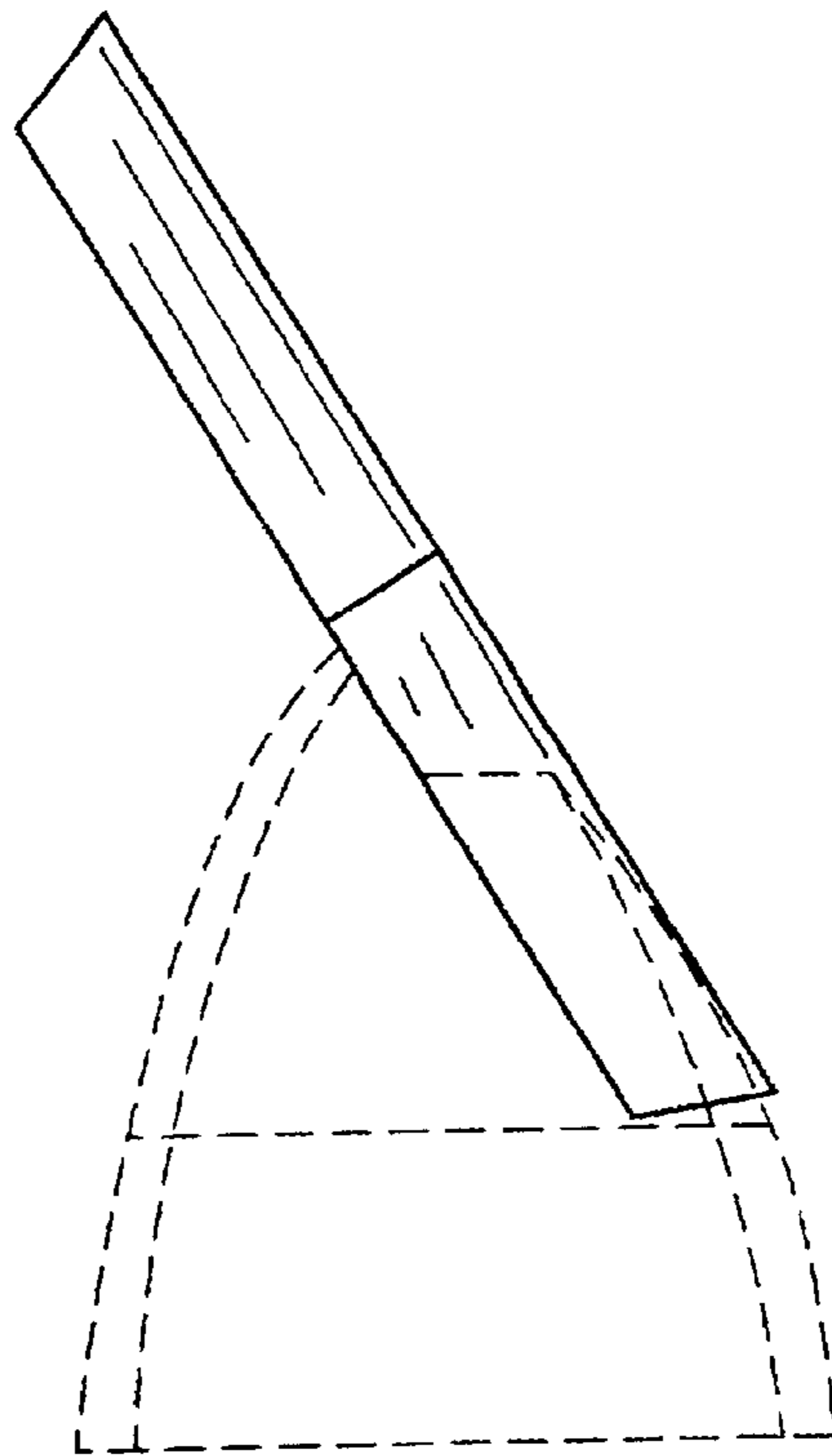


FIG.4

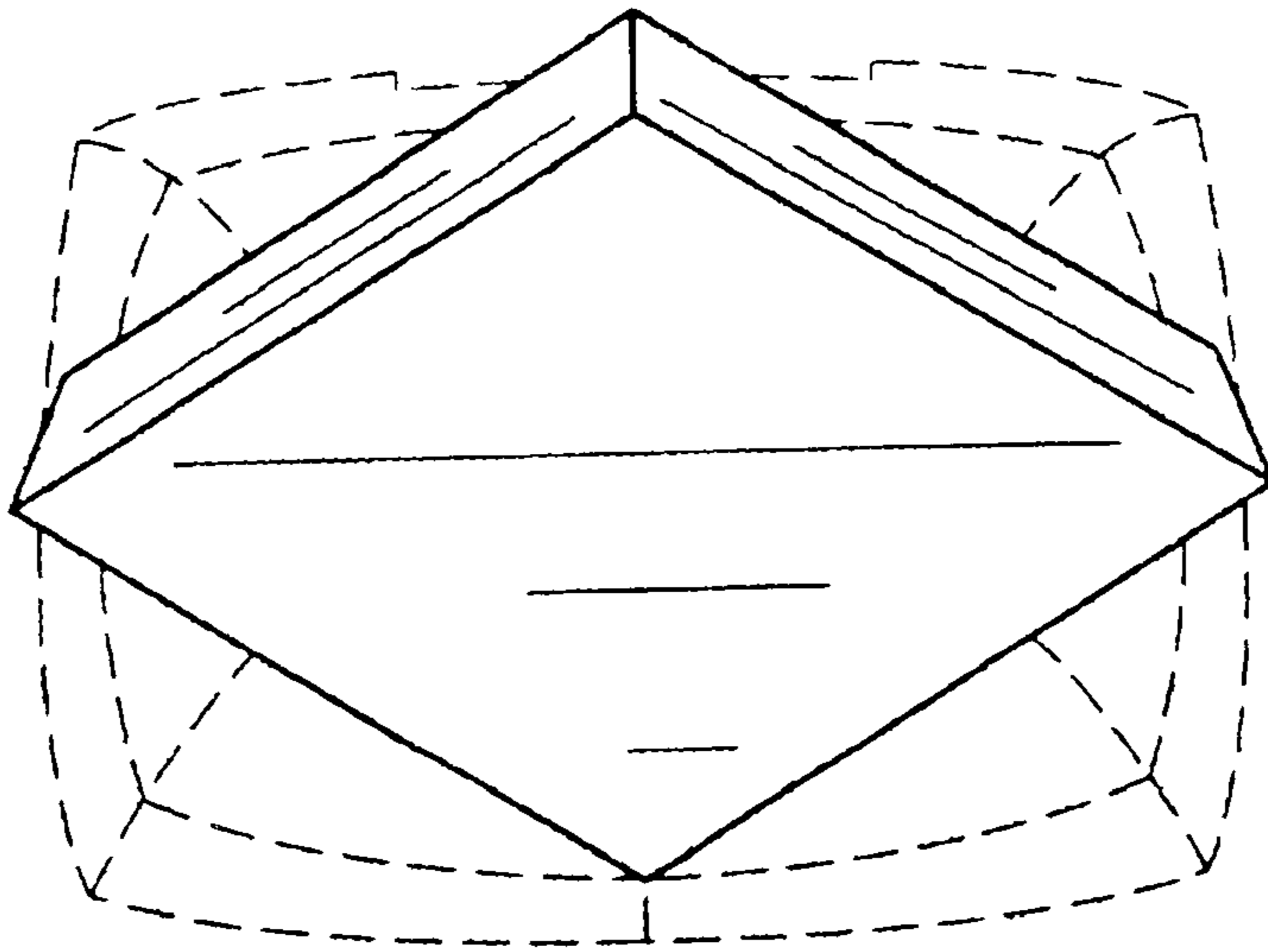


FIG. 5

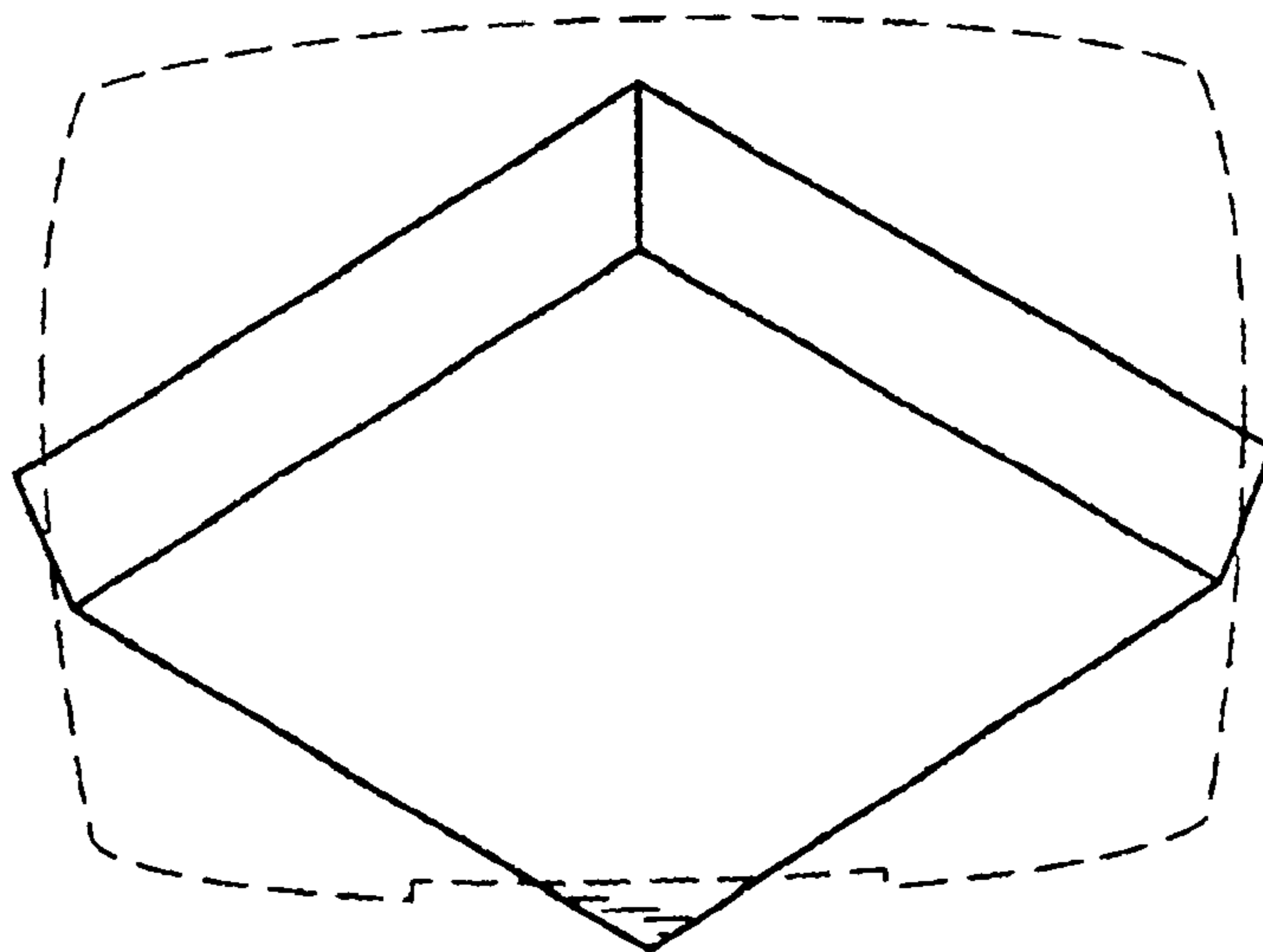


FIG. 6

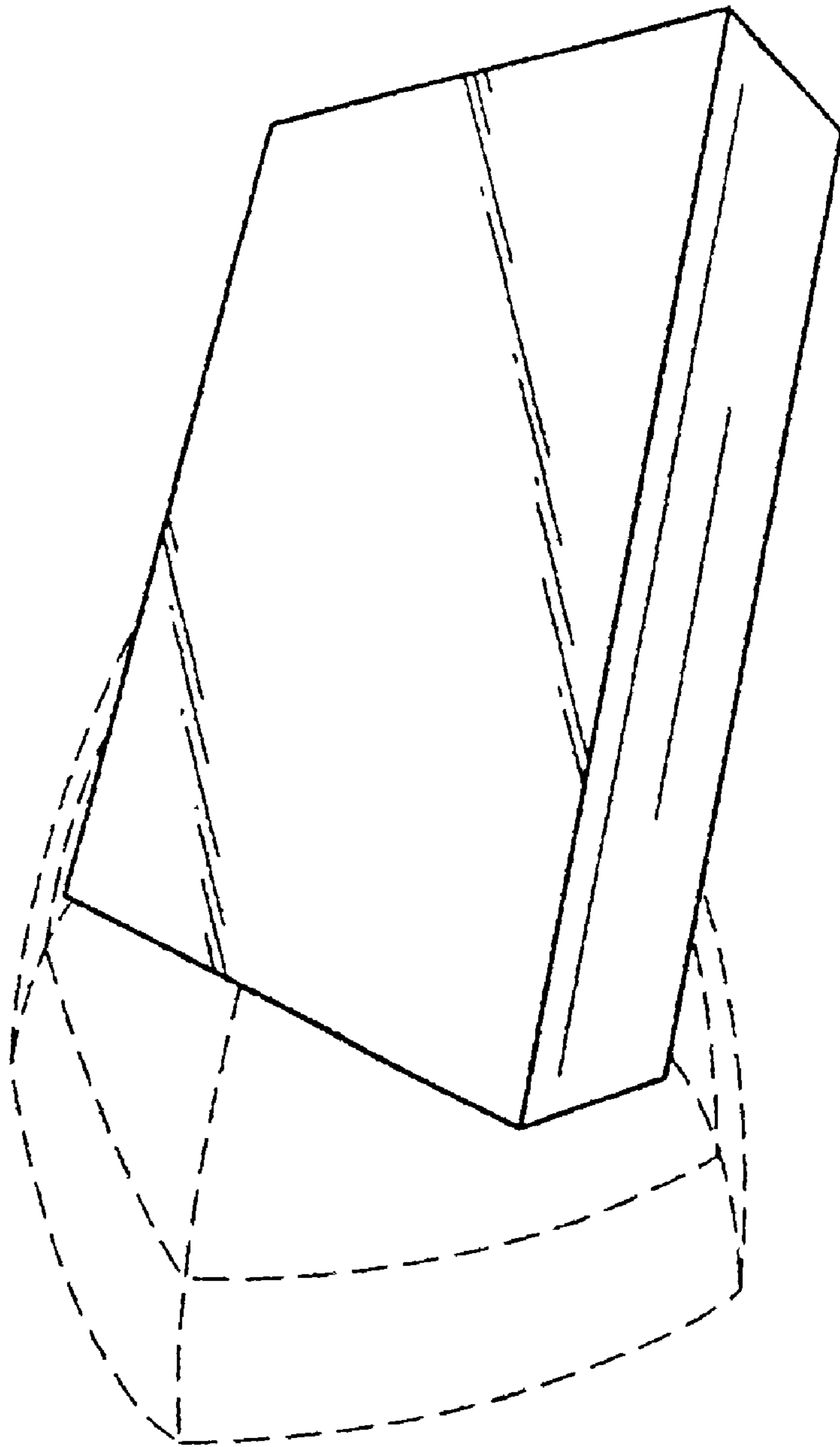


FIG.7