



US00D487891S

(12) **United States Design Patent**
Yang et al.

(10) **Patent No.:** **US D487,891 S**

(45) **Date of Patent:** **** Mar. 30, 2004**

(54) **NOTEBOOK/TABLET VERSATILE COMPUTER**

D345,347 S * 3/1994 Yamazaki D14/322
D356,071 S * 3/1995 Gotoh D14/322

(75) Inventors: **Kuo-Chang Yang**, Hsinchu (TW);
Shih-Hwa Lan, Yunlin Shien (TW);
Wen-Hsiang Chen, Taipei Shien (TW);
Chang-Yu Shieh, Taipei (TW)

* cited by examiner

Primary Examiner—Freda S. Nunn

(73) Assignee: **Quanta Computer Inc.**, Taoyuan Shien (TW)

(57) **CLAIM**

The ornamental design for a notebook/tablet versatile computer, as shown and described.

(**) Term: **14 Years**

DESCRIPTION

(21) Appl. No.: **29/174,166**

(22) Filed: **Jan. 13, 2003**

(51) **LOC (7) Cl.** **14-02**

(52) **U.S. Cl.** **D14/316**

(58) **Field of Search** D14/315-327;
D18/1, 2, 7; 235/145 A, 145 R; 341/22,
23; 345/104, 156, 168, 169, 173; 361/680-686;
400/486, 489

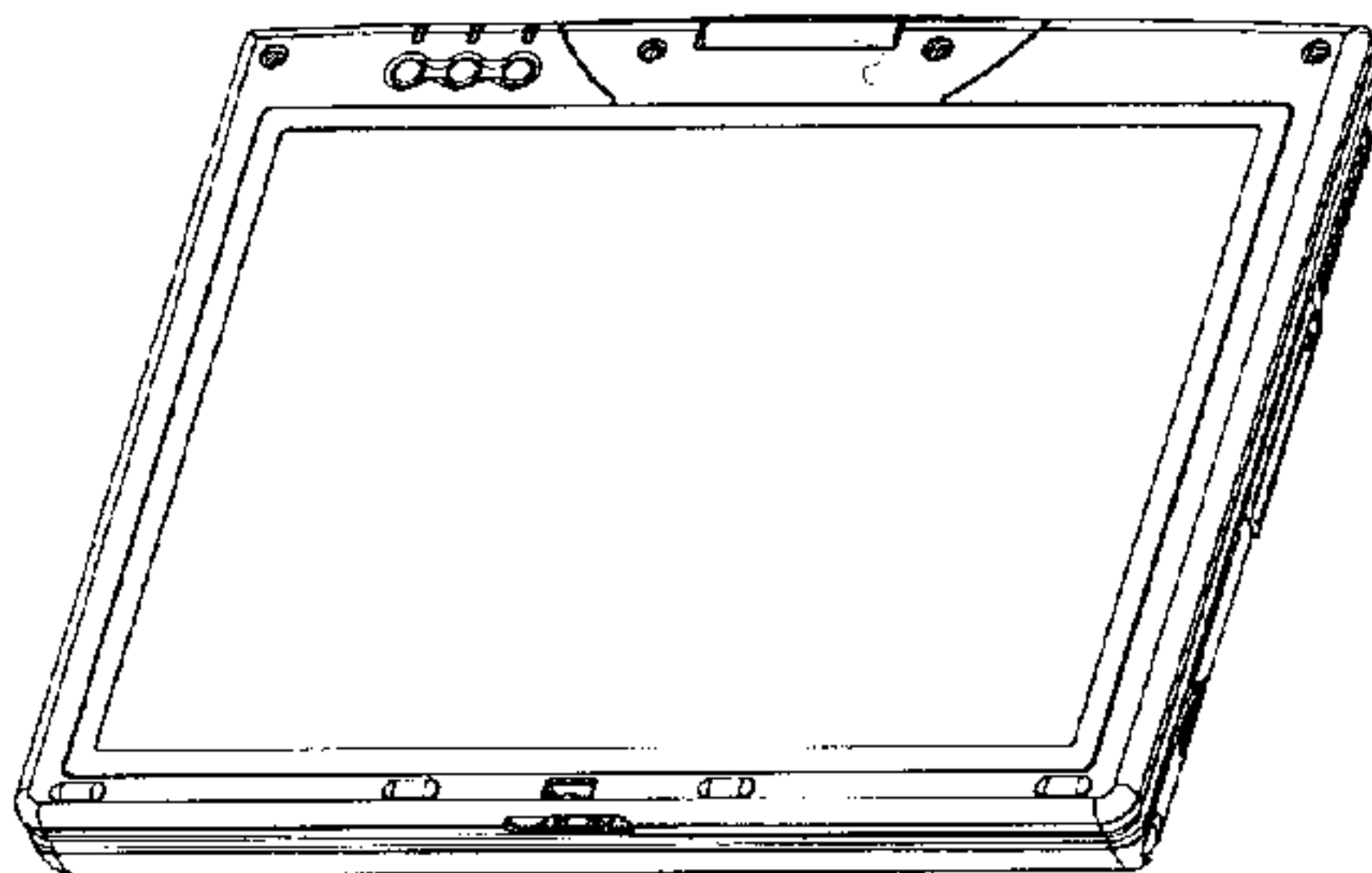
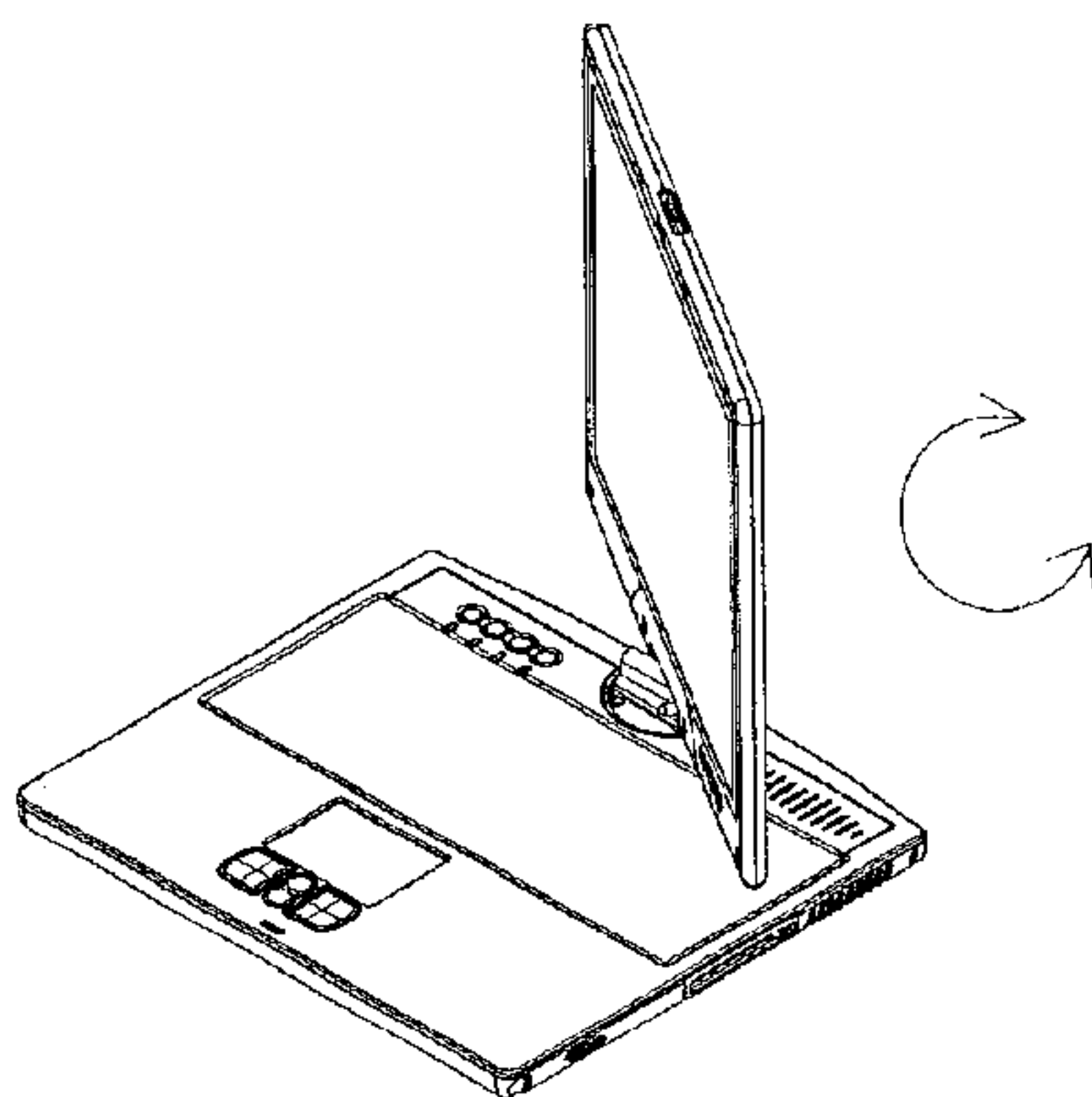
FIG. 1 is a front elevational view of the notebook/tablet versatile computer showing our new design;
FIG. 2 is a rear elevational view thereof;
FIG. 3 is a right side elevational view thereof;
FIG. 4 is a left side elevational view thereof;
FIG. 5 is a top plan view thereof;
FIG. 6 is a bottom plan view thereof;
FIG. 7 is a front, side perspective view of a notebook/tablet versatile computer showing our new design in the Notebook PC mode;
FIG. 8 is a front, side perspective view thereof showing our new design with the panel in an rotation position; and,
FIG. 9 is a front, side perspective view thereof showing our new design in the Tablet PC mode.

(56) **References Cited**

U.S. PATENT DOCUMENTS

5,103,376 A * 4/1992 Blonder 361/681
D338,879 S * 8/1993 Iino D14/316

1 Claim, 5 Drawing Sheets



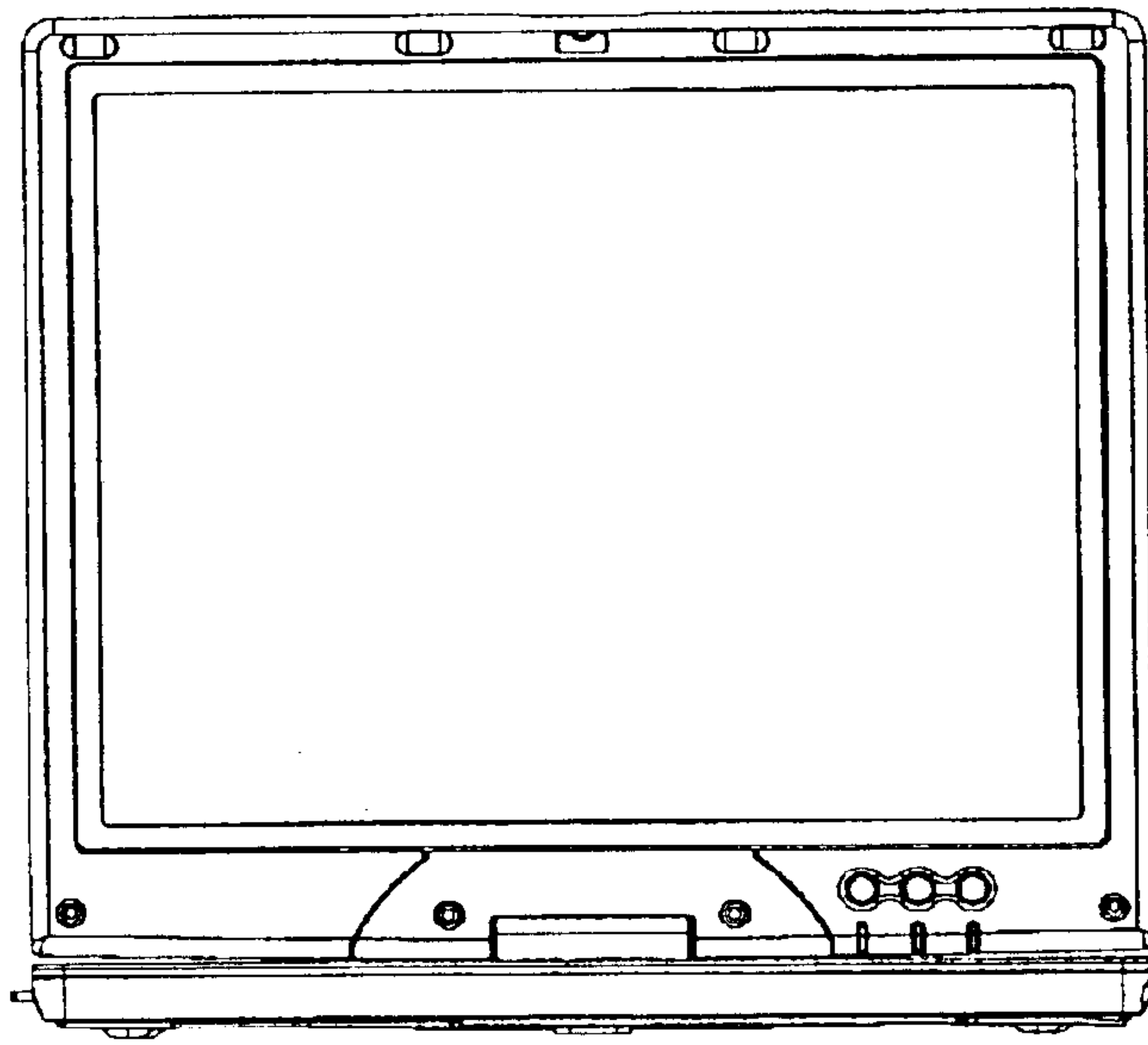


FIG. 1

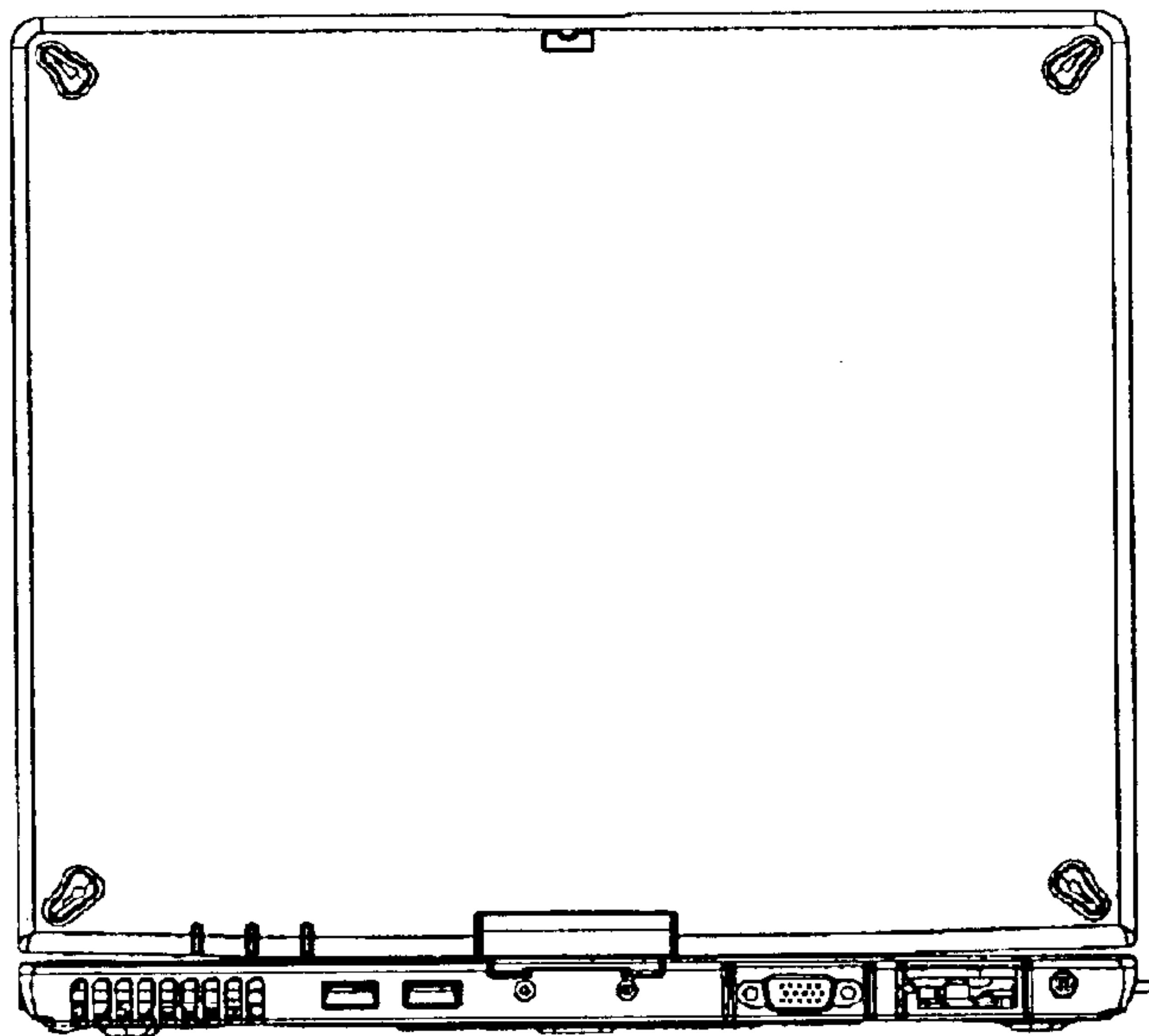


FIG. 2

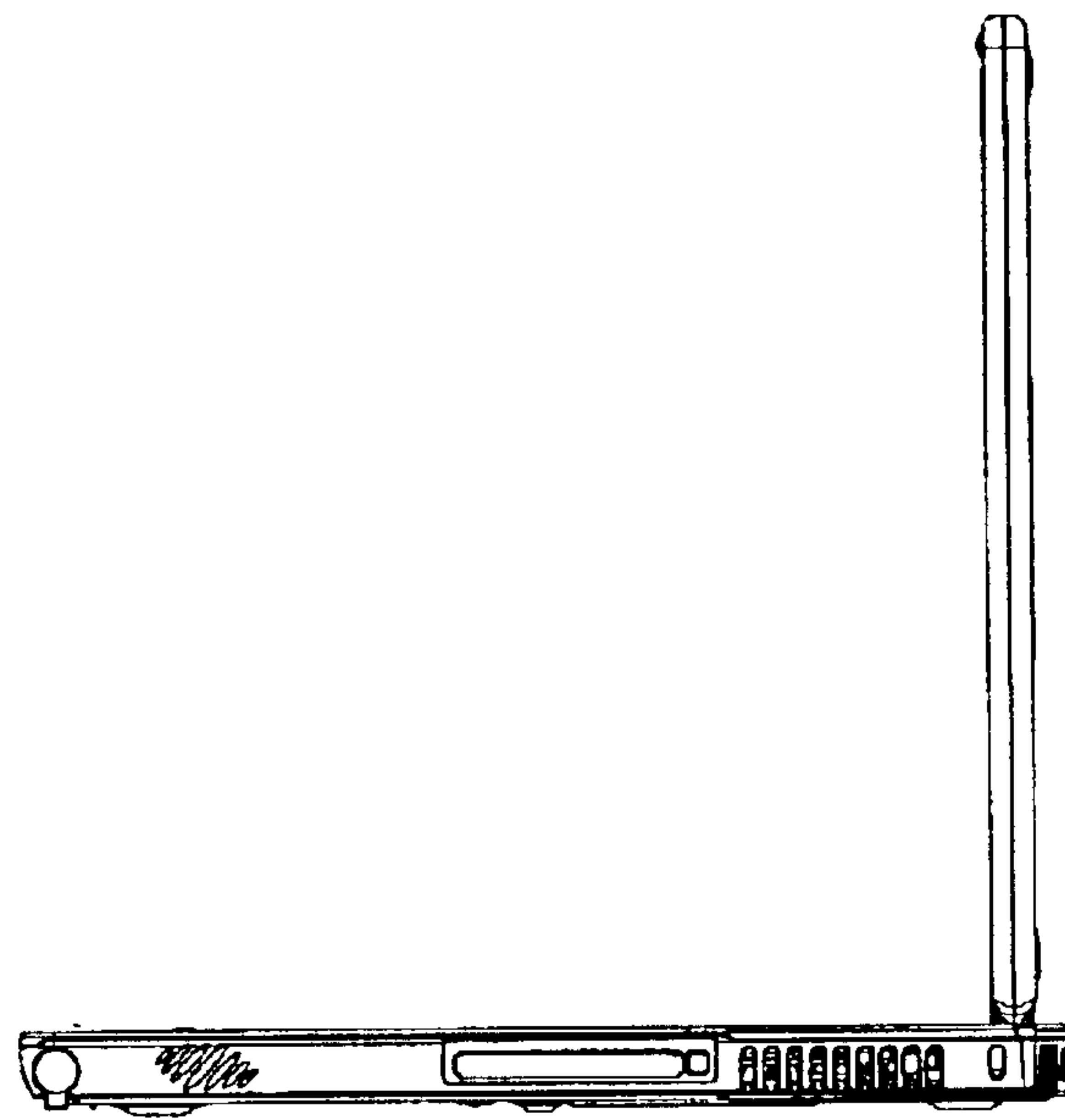


FIG. 3

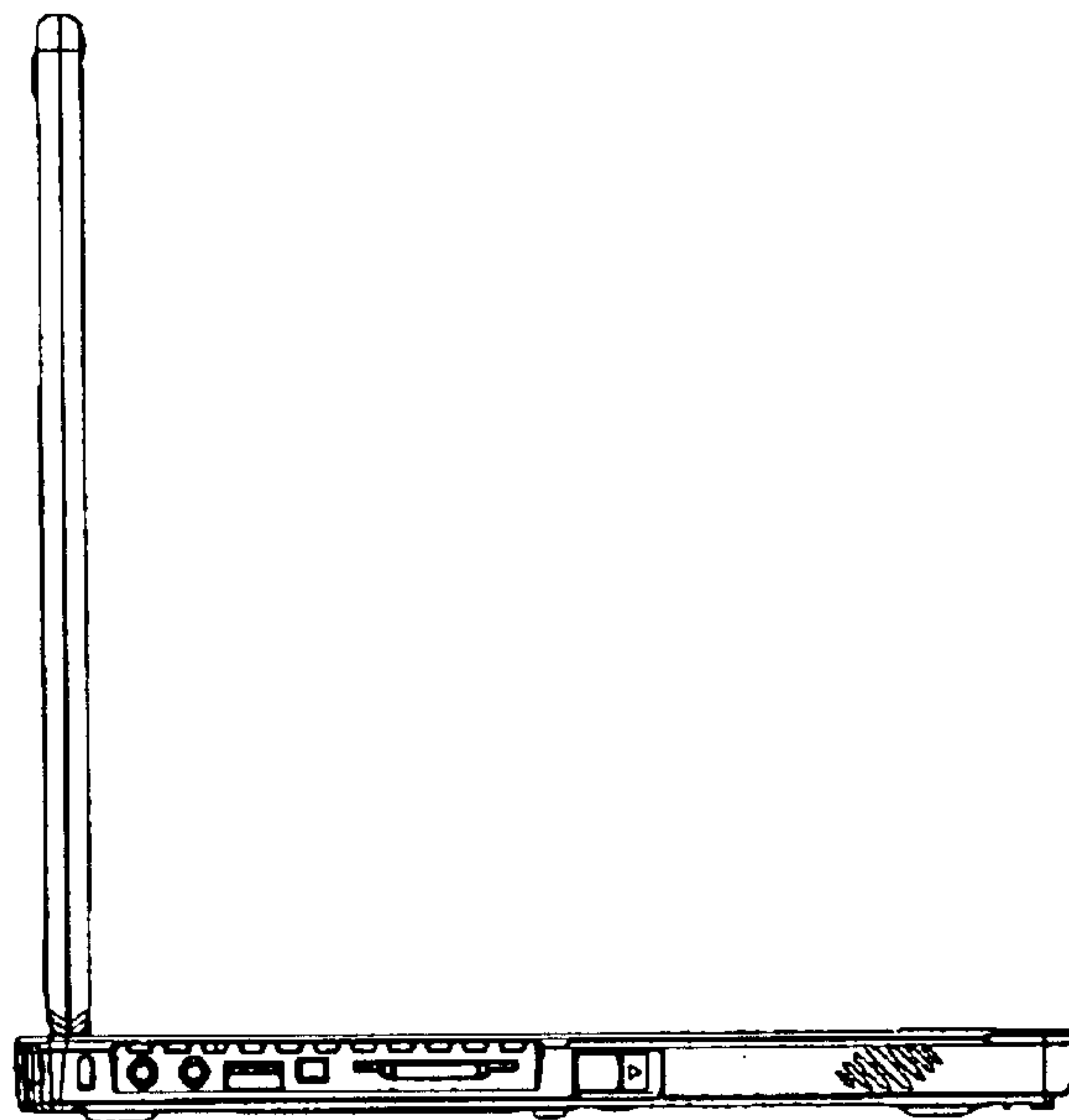


FIG. 4

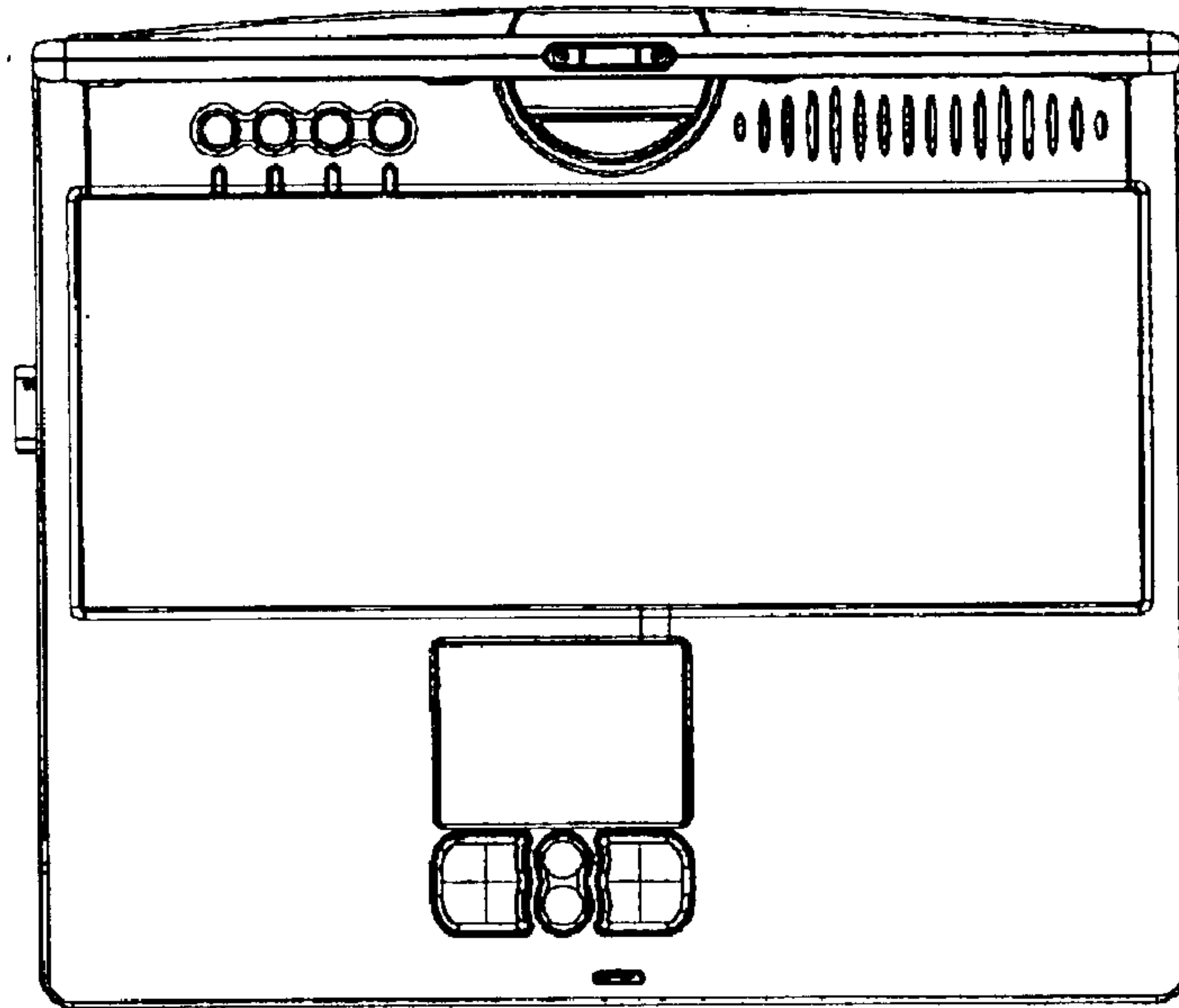


FIG. 5

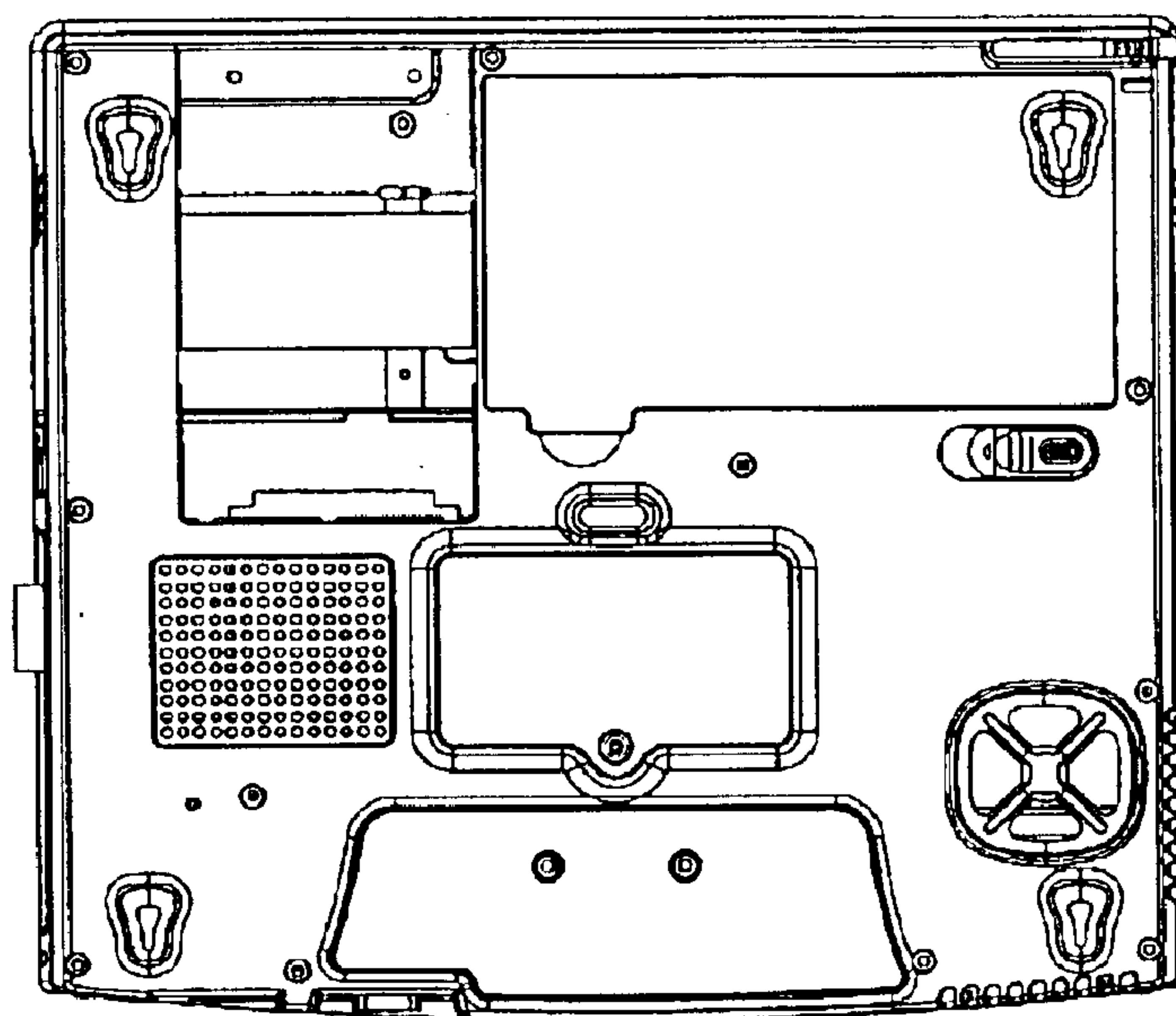


FIG. 6

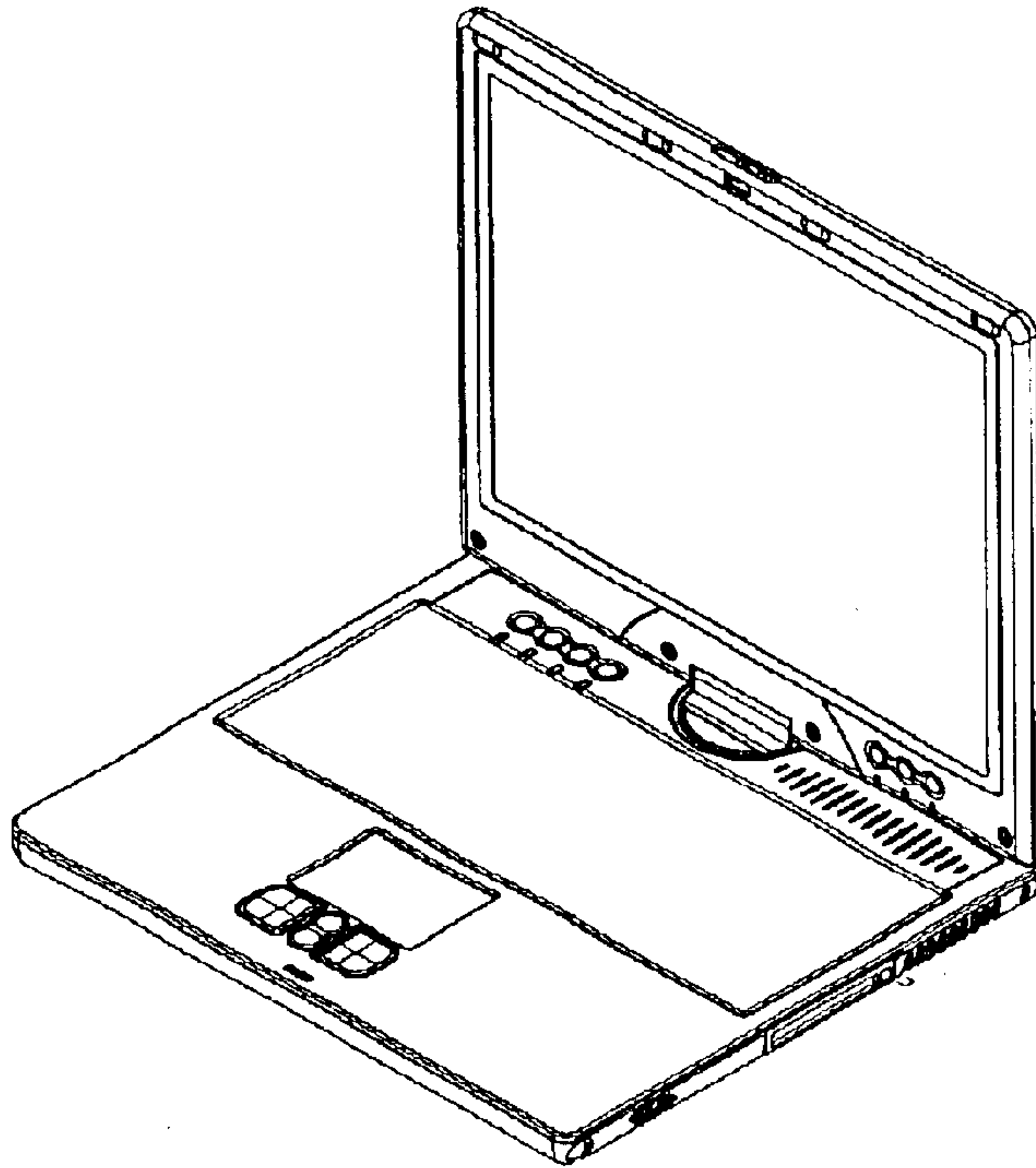


FIG. 7

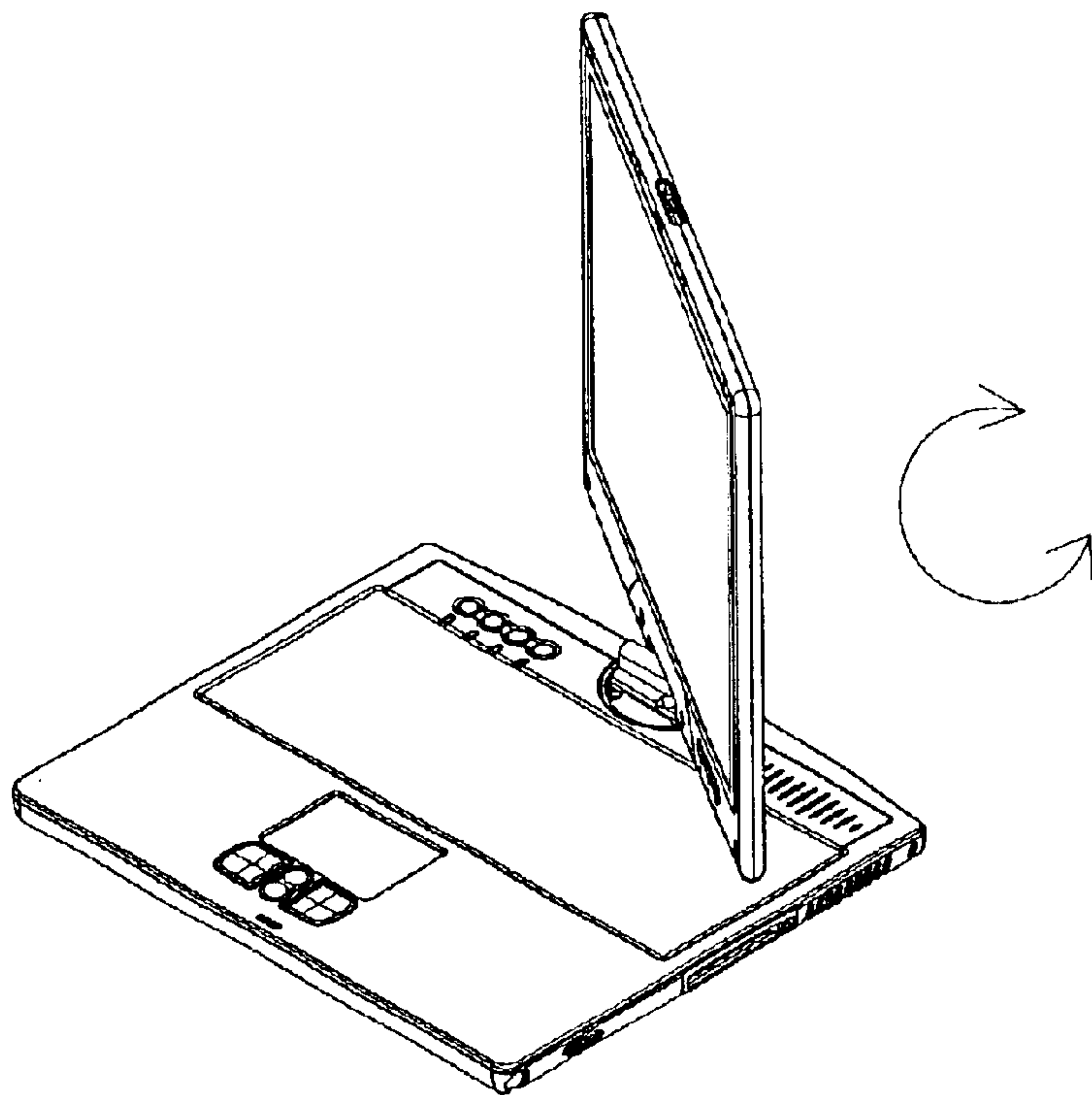


FIG. 8

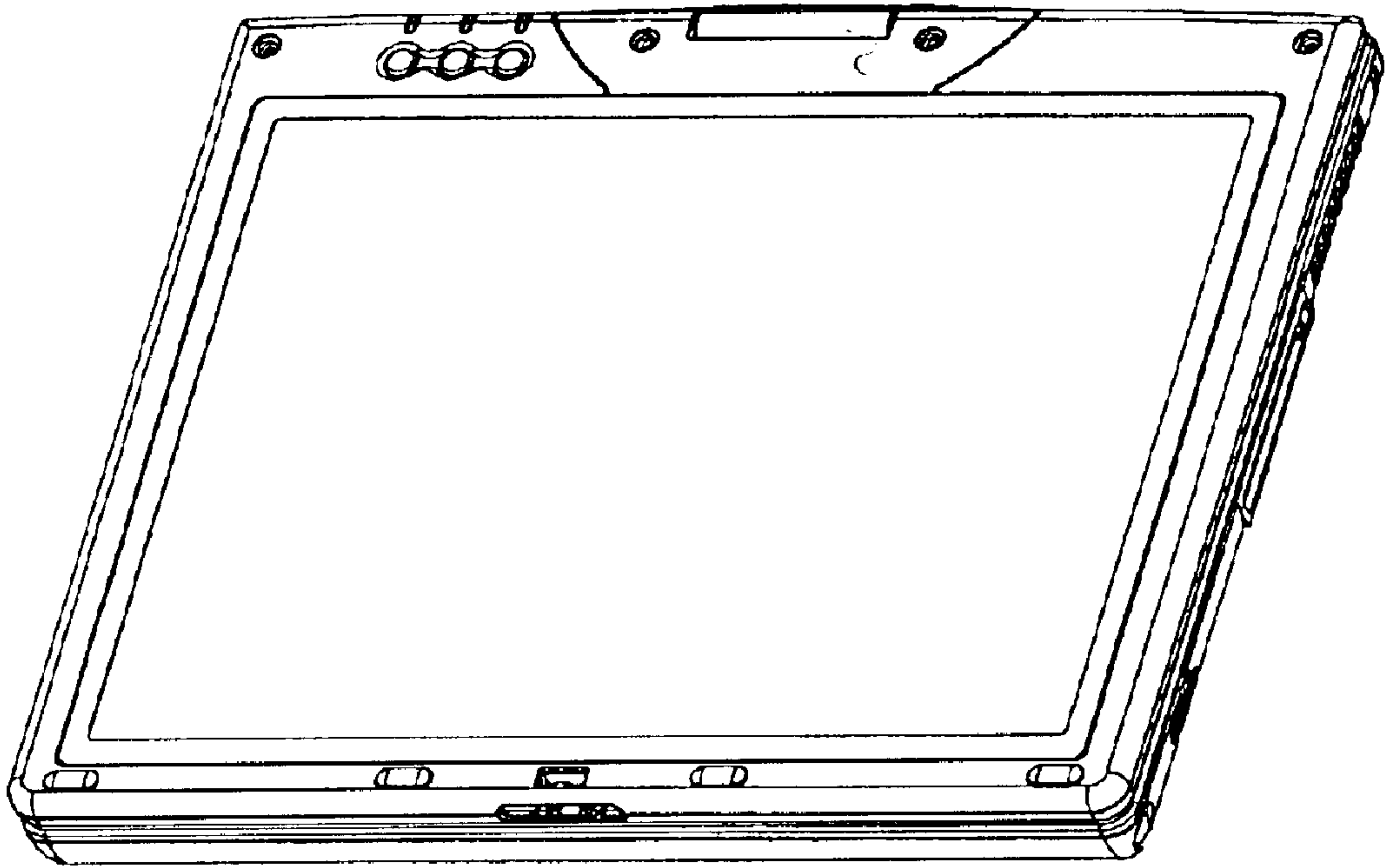


FIG. 9