



US00D487887S

(12) **United States Design Patent**  
**Hutchinson**

(10) **Patent No.:** **US D487,887 S**

(45) **Date of Patent:** **\*\* Mar. 30, 2004**

(54) **CD PLAYER**

D438,529 S \* 3/2001 Brennan ..... D14/189

(76) **Inventor:** **Colin J. Hutchinson**, 28780 Conway Rd., Loxley, AL (US) 36551

\* cited by examiner

*Primary Examiner*—Nanda Bondade

(\*\*) **Term:** **14 Years**

(57) **CLAIM**

(21) **Appl. No.:** **29/171,899**

The ornamental design for a CD player, as shown and described.

(22) **Filed:** **Dec. 2, 2002**

**DESCRIPTION**

(51) **LOC (7) Cl.** ..... **14-01**

(52) **U.S. Cl.** ..... **D14/156**

(58) **Field of Search** ..... D14/135–136, D14/156–157, 167–168, 188, 189, 207, 217, 193–198; D21/516, 548–550; 446/431, 447–448, 456, 465–466; 455/344, 347–351

FIG. 1 is a side elevational view of a CD player showing my new design.

FIG. 2 is a back elevational view of the CD player.

FIG. 3 is a front elevational view of the CD player.

FIG. 4 is a top plan view of the CD player.

FIG. 5 is a bottom plan of the CD player; and,

FIG. 6 is a top perspective view of the CD player with the lid open.

The broken line showing on FIGS. 1 and 6 is for illustrative purposes only and forms no part of the claimed design.

(56) **References Cited**

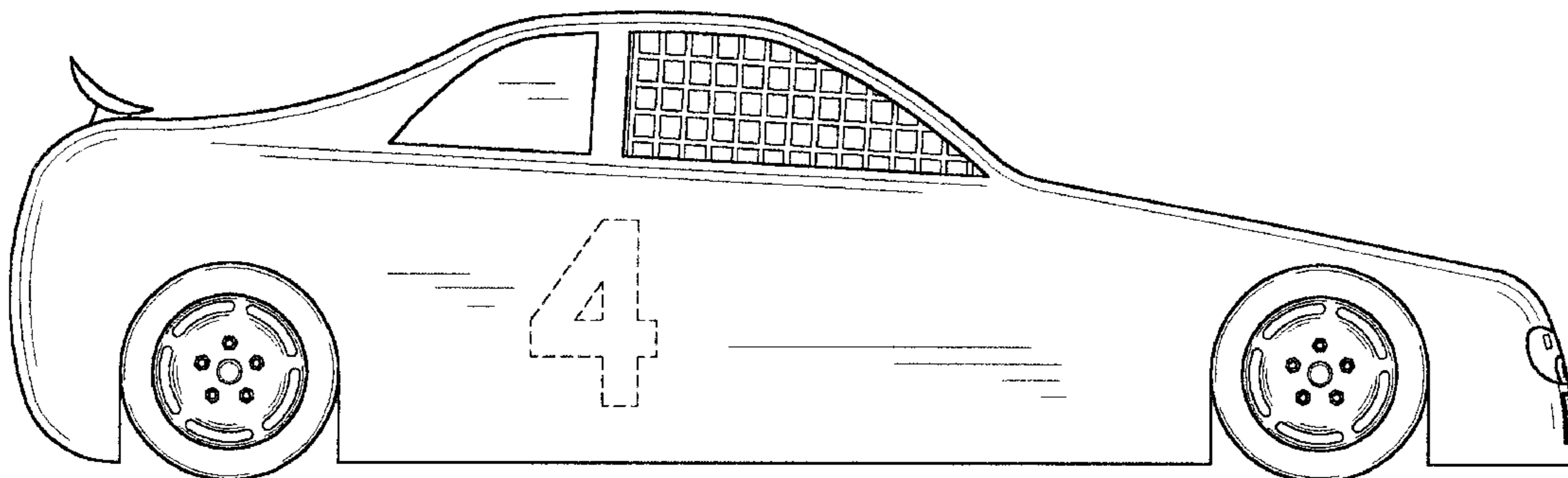
**U.S. PATENT DOCUMENTS**

D330,203 S \* 10/1992 Yeh ..... D14/217

D408,456 S \* 4/1999 Garner ..... D21/550

D428,874 S \* 8/2000 White ..... D14/207

**1 Claim, 5 Drawing Sheets**



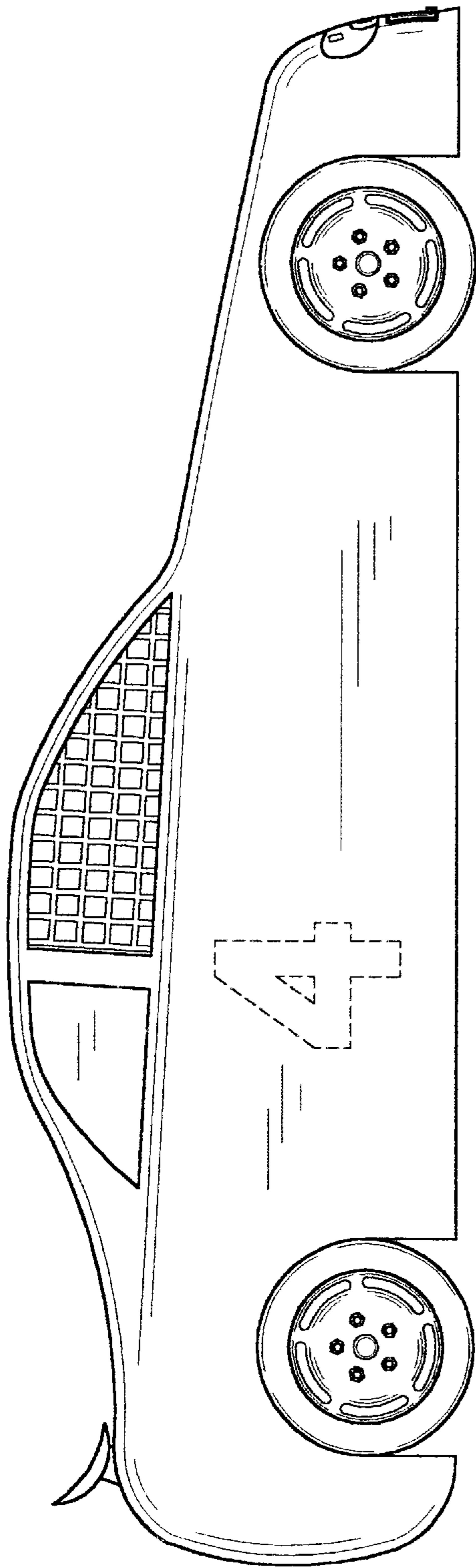


FIG. 1

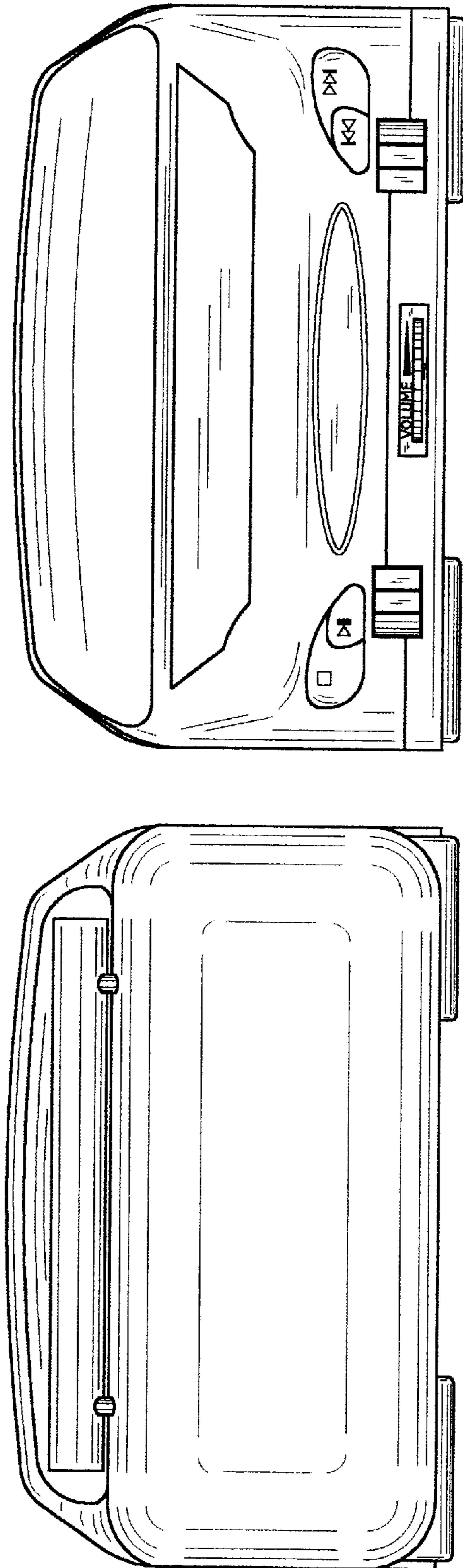


FIG. 2

FIG. 3

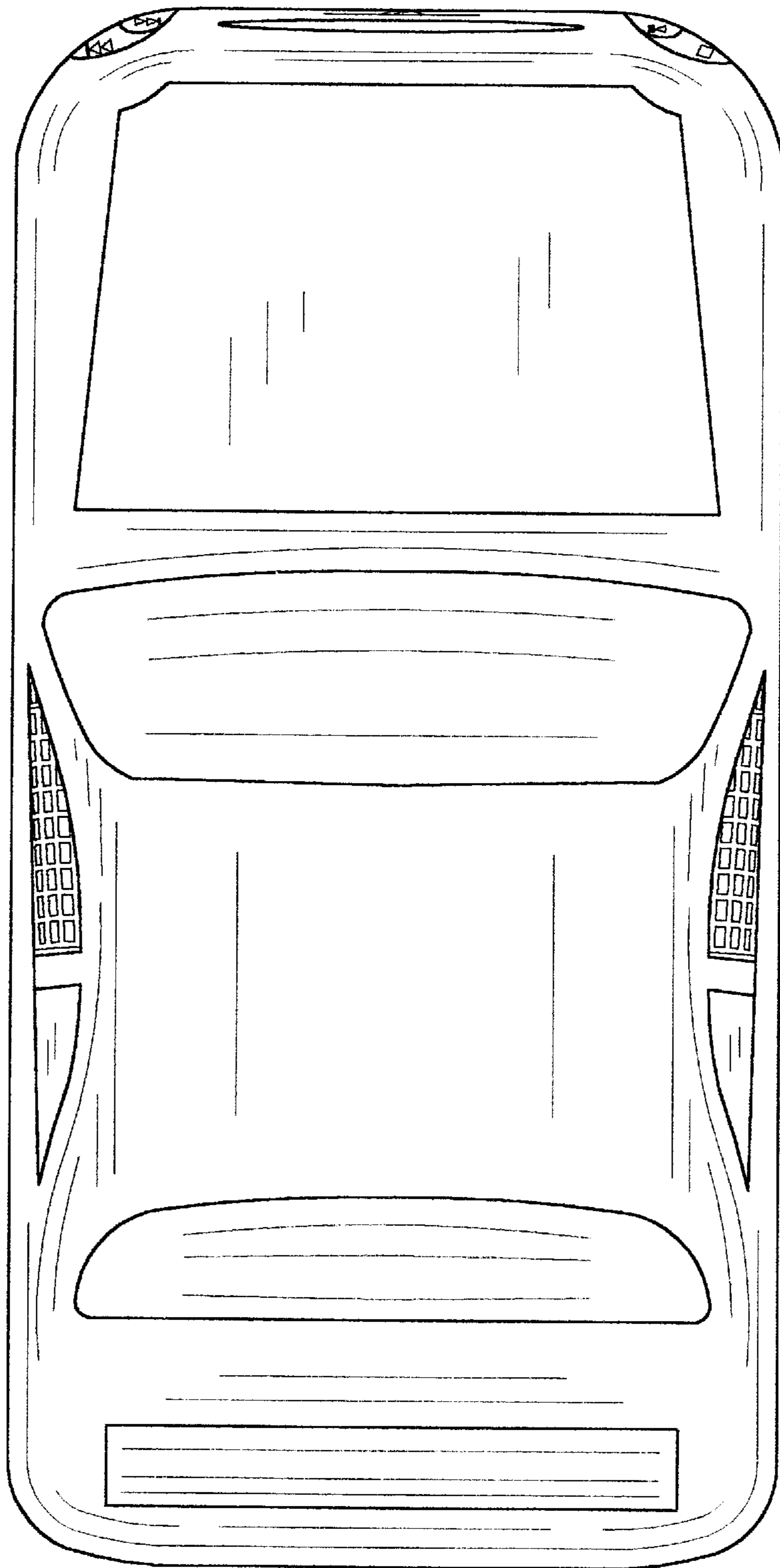


FIG. 4

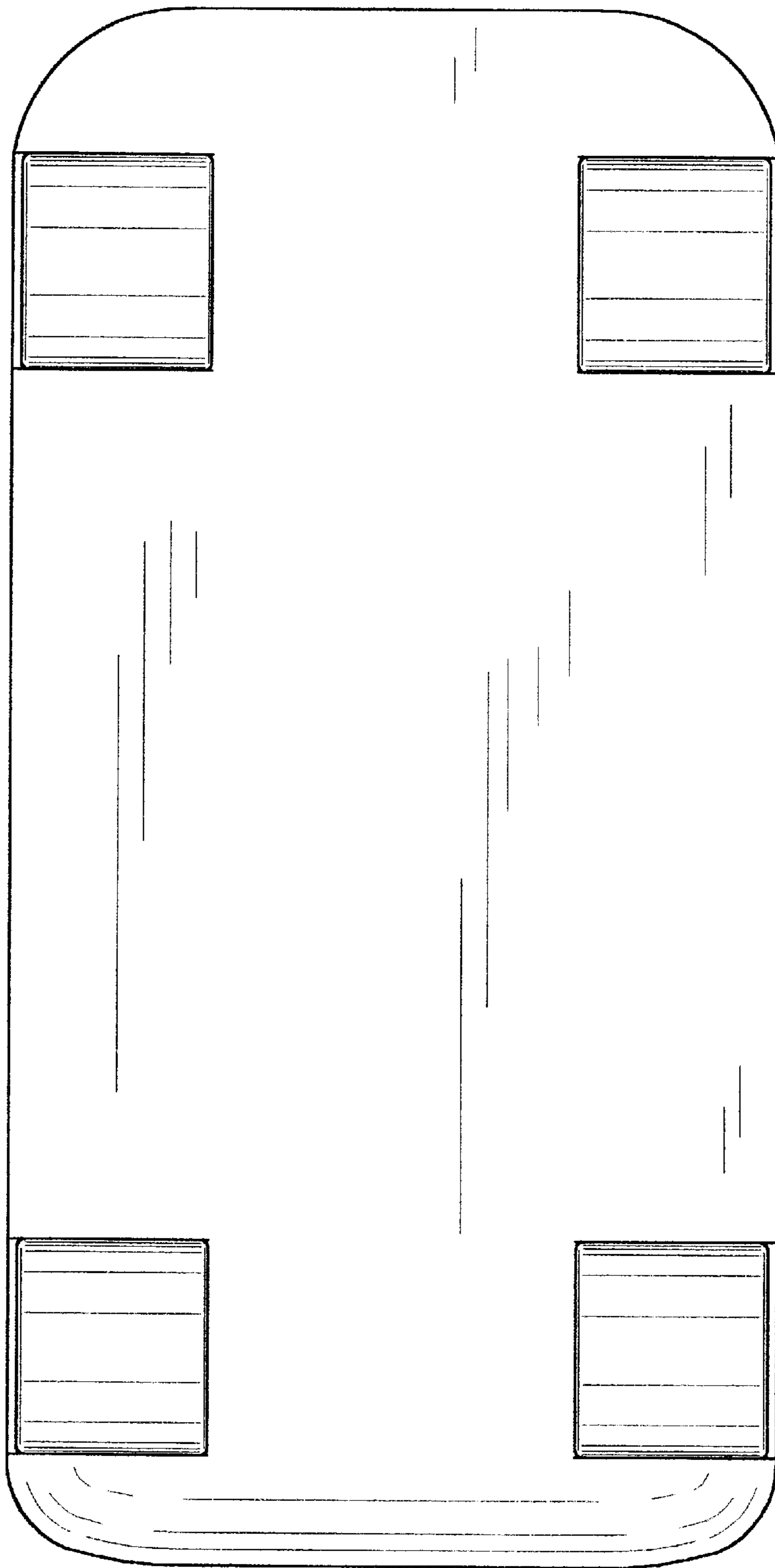


FIG. 5

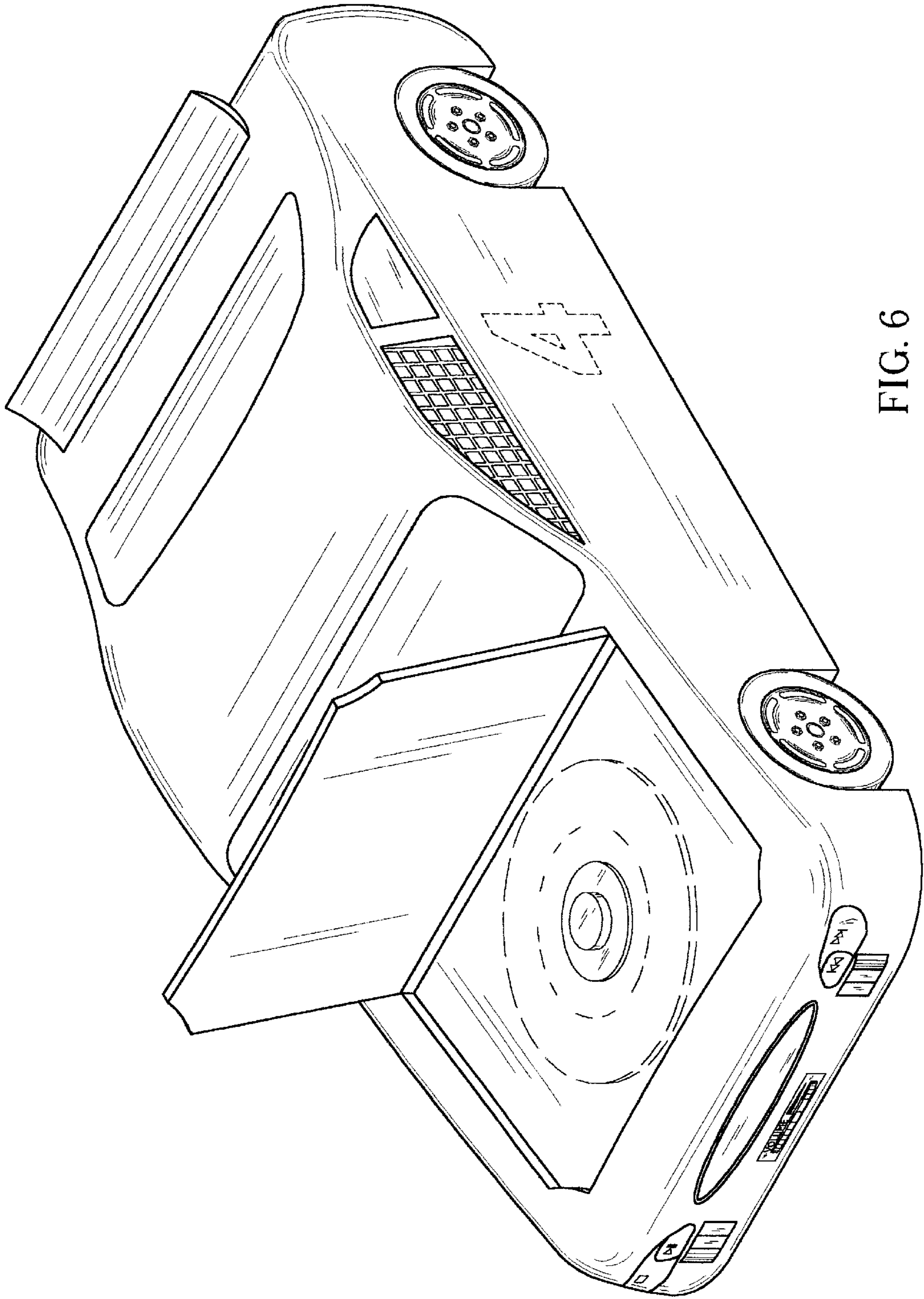


FIG. 6