



US00D487876S

(12) **United States Design Patent**  
**Atkinson**

(10) **Patent No.:** **US D487,876 S**

(45) **Date of Patent:** **\*\* Mar. 30, 2004**

(54) **COMBINATION TURKEY CALL**

(76) Inventor: **Aaron Atkinson**, 2606 Seneca  
Turnpike, Canastota, NY (US) 13032

(\*\*) Term: **14 Years**

(21) Appl. No.: **29/178,663**

(22) Filed: **Mar. 31, 2003**

(51) **LOC (7) Cl.** ..... **10-05**

(52) **U.S. Cl.** ..... **D10/116; D10/119**

(58) **Field of Search** ..... **D10/116, 119;**  
**446/397, 418, 421-422, 404**

(56) **References Cited**

**U.S. PATENT DOCUMENTS**

4,941,858	A	*	7/1990	Adams	.....	446/397
5,066,260	A	*	11/1991	Lindler	.....	446/397
5,244,430	A	*	9/1993	Legursky	.....	446/397
D347,399	S	*	5/1994	White, Jr.	.....	D10/116
D360,160	S	*	7/1995	Morningstar	.....	D10/119
D393,810	S	*	4/1998	Richardson	.....	D10/119
5,846,119	A	*	12/1998	Long	.....	446/397
5,921,842	A	*	7/1999	Allenby	.....	446/397
D415,054	S	*	10/1999	Foster et al.	.....	D10/119

D417,166	S	*	11/1999	DeGroot	.....	D10/119
6,168,493	B1	*	1/2001	Kirby	.....	446/418
D472,176	S	*	3/2003	Atkinson	.....	D10/116

\* cited by examiner

*Primary Examiner*—Nelson C. Holtje

(74) *Attorney, Agent, or Firm*—Bernhard P. Molldrem, Jr.

(57) **CLAIM**

The ornamental design for a combination turkey call, as shown and described.

**DESCRIPTION**

FIG. 1 is a perspective view of a combination turkey call showing my new design.

FIG. 2 is a right side elevational view thereof.

FIG. 3 is a front end view thereof.

FIG. 4 is a rear end view thereof.

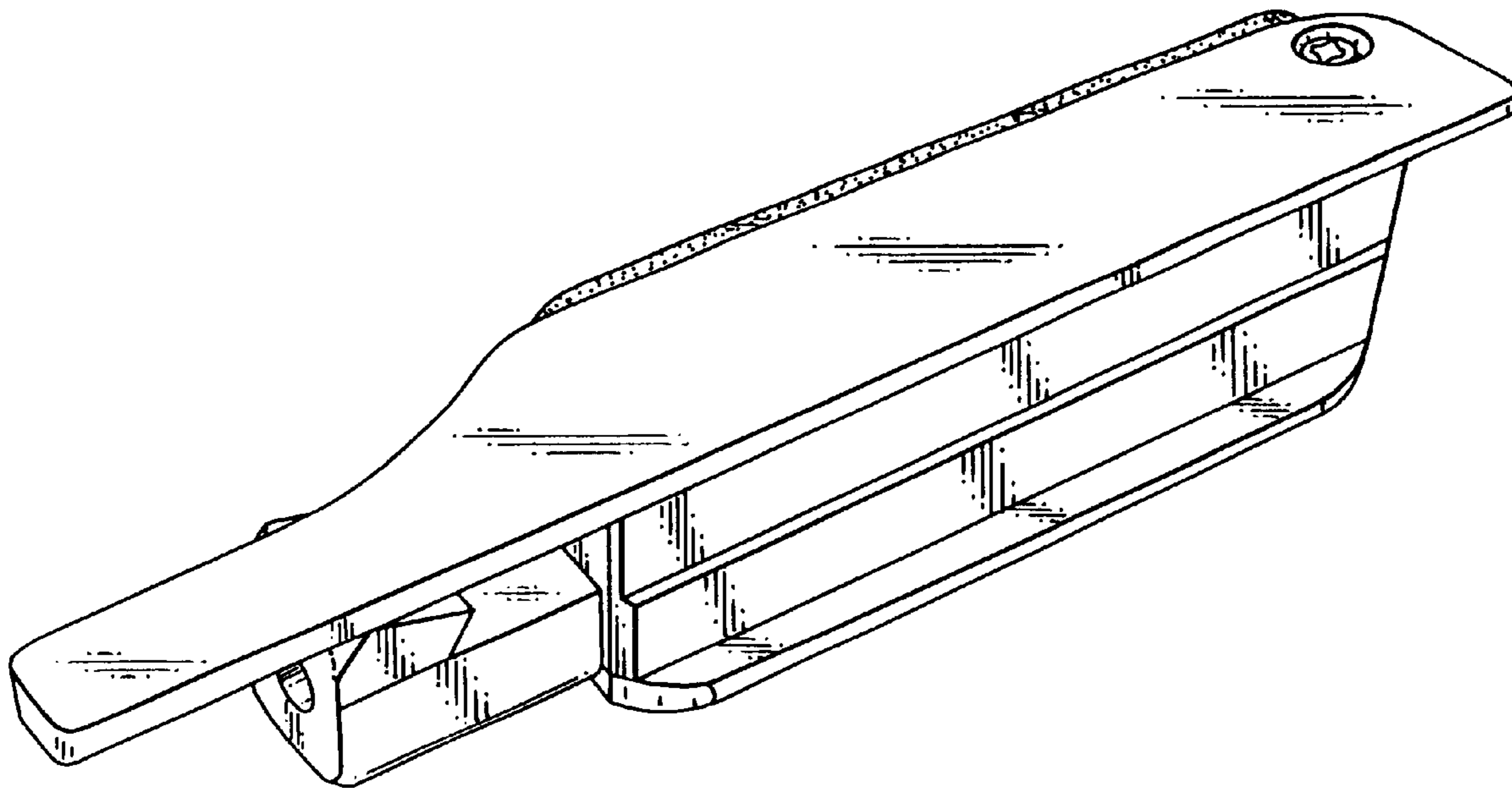
FIG. 5 is a top plan view thereof.

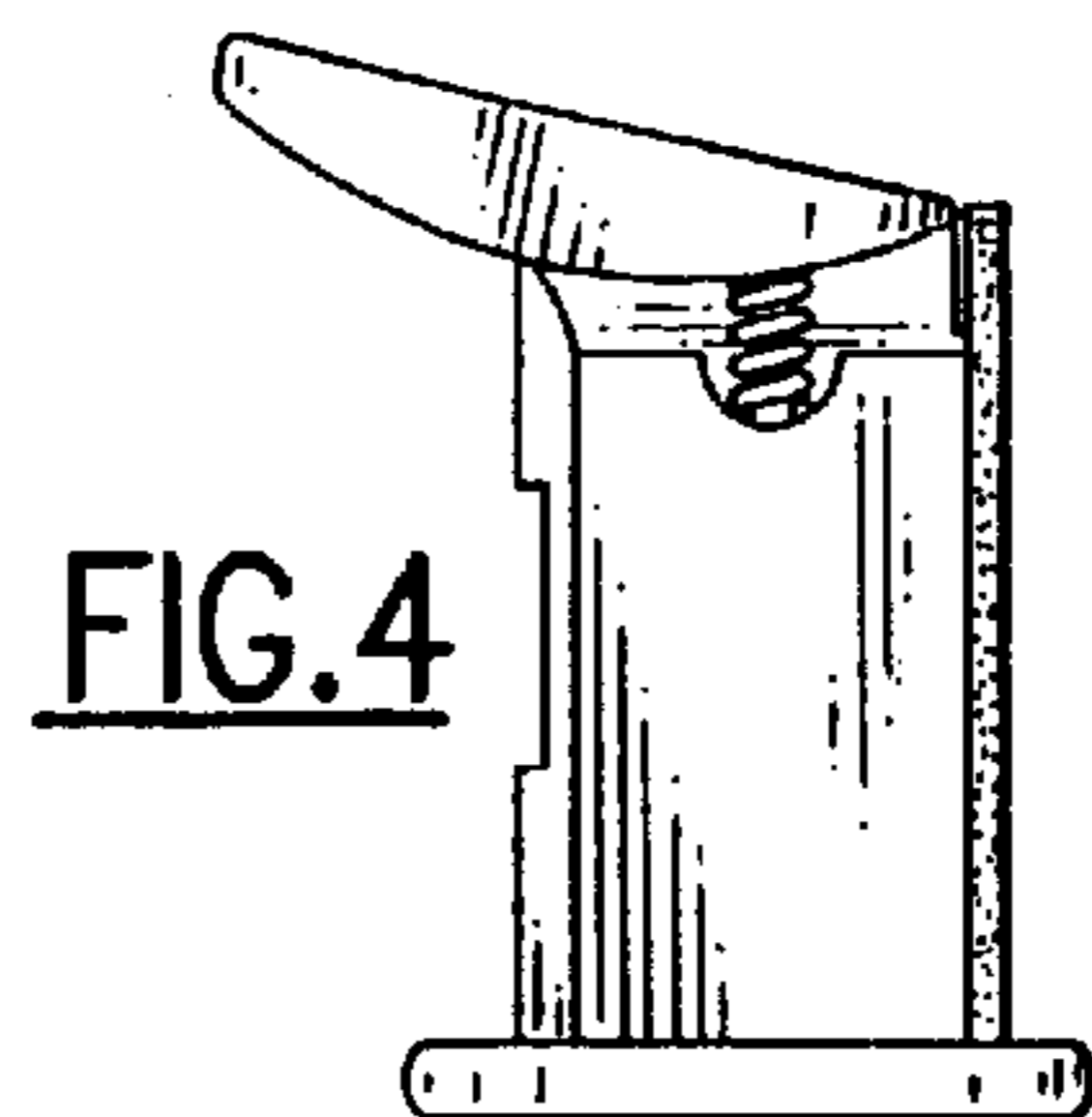
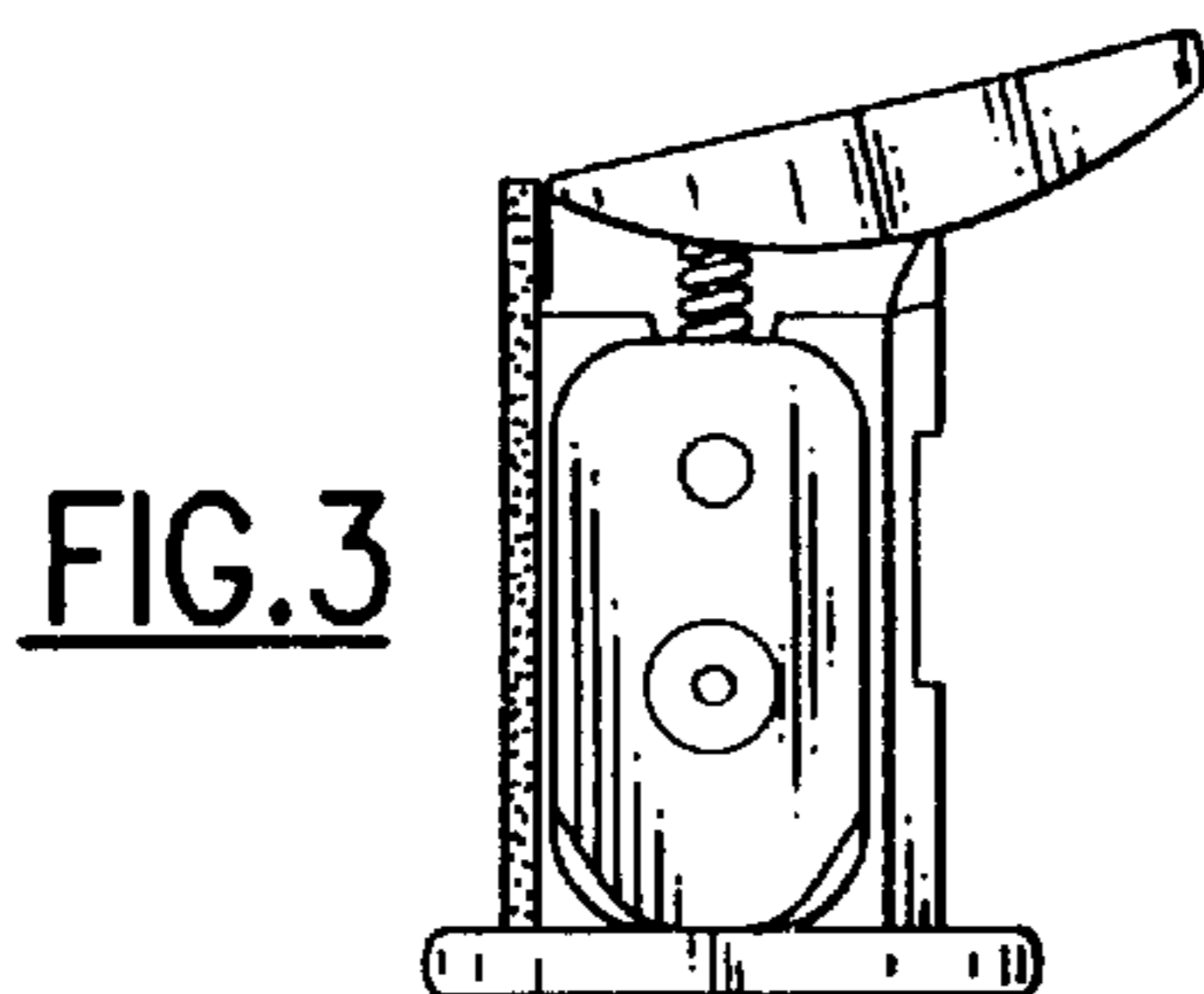
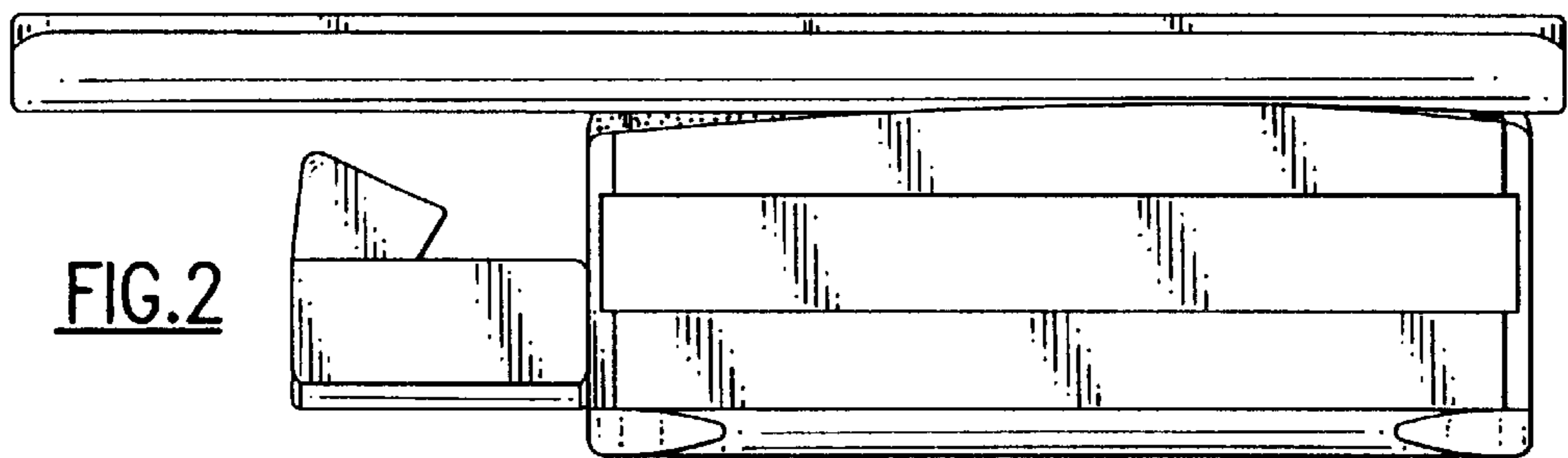
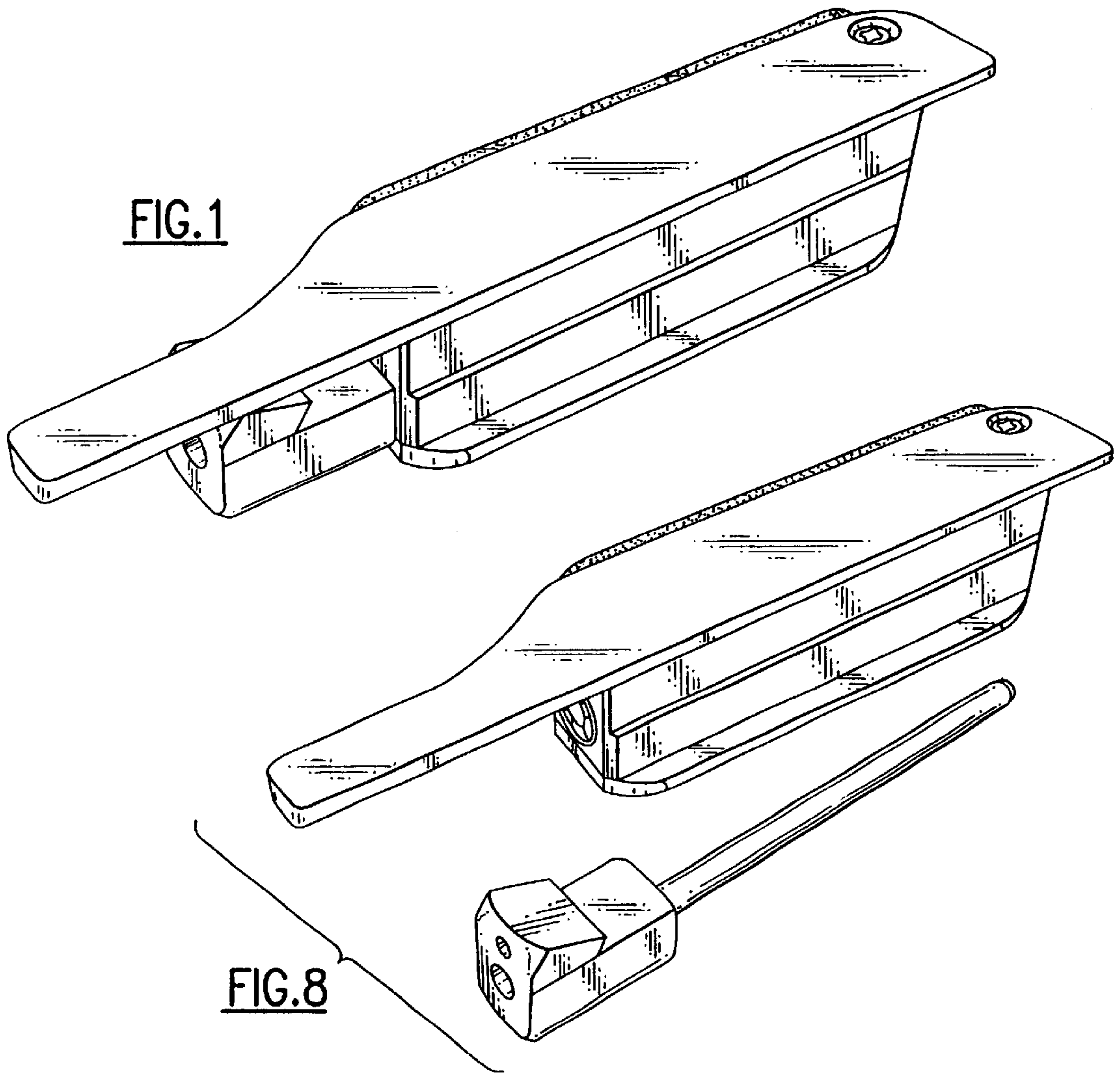
FIG. 6 is a bottom view thereof.

FIG. 7 is a left side elevational view thereof; and,

FIG. 8 is a perspective view thereof showing the whistle-striker thereof positioned alongside the box of the call.

**1 Claim, 2 Drawing Sheets**





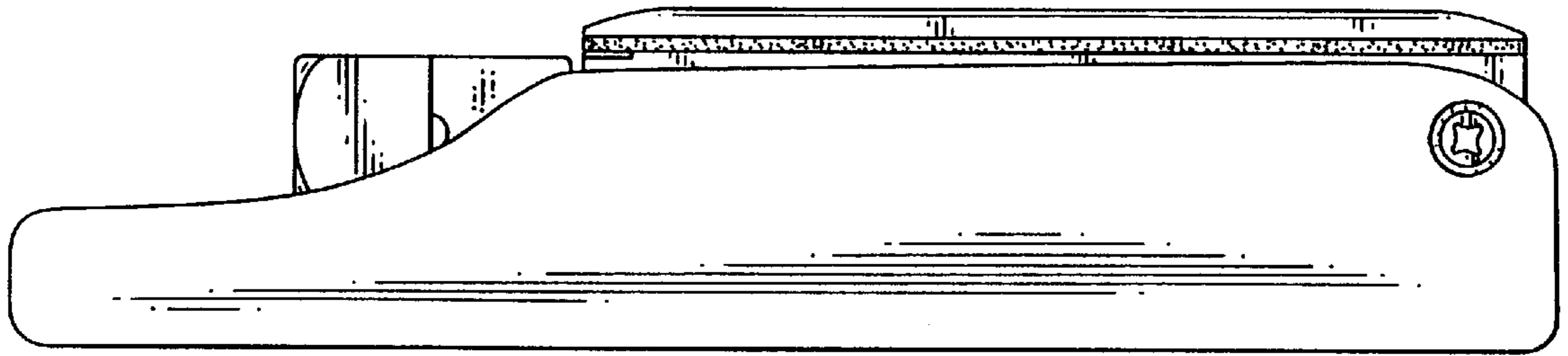


FIG. 5

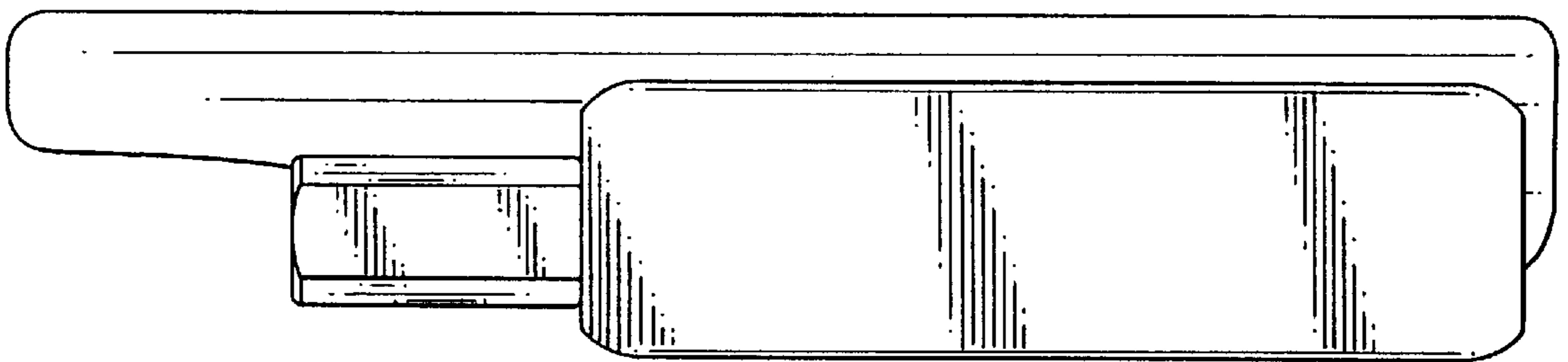


FIG. 6

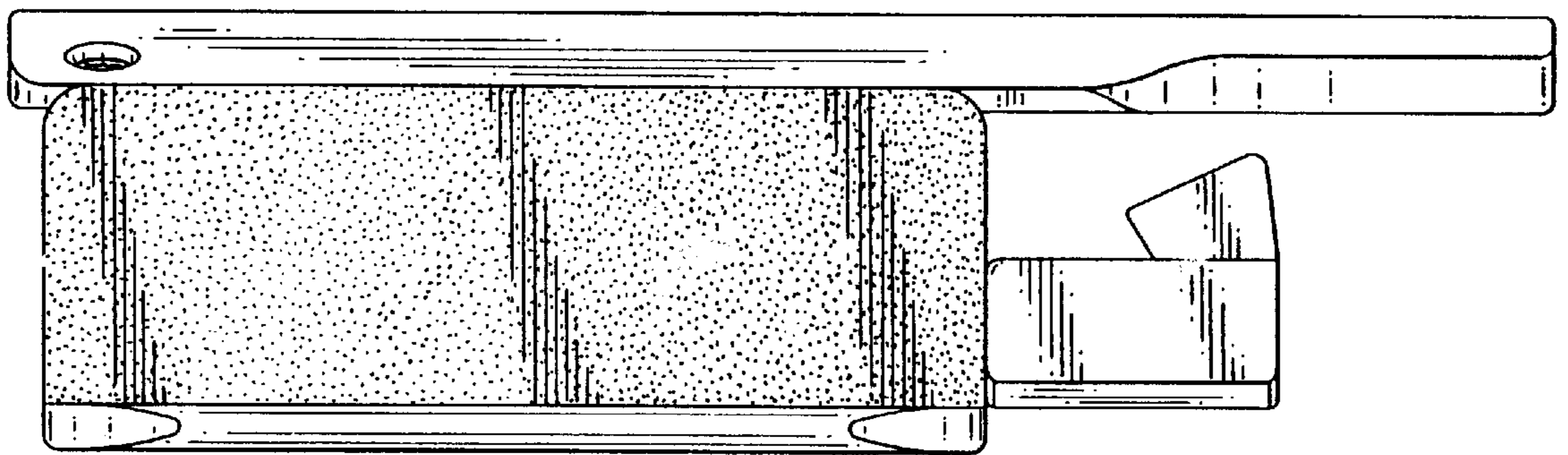


FIG. 7