



US00D487871S

(12) **United States Design Patent**  
**Kokubo**

(10) **Patent No.:** **US D487,871 S**

(45) **Date of Patent:** **\*\* Mar. 30, 2004**

(54) **CONTAINER**

(75) Inventor: **Shigehiko Kokubo**, Osaka (JP)

(73) Assignee: **Rohto Pharmaceutical Co., Ltd.**,  
Osaka (JP)

(\*\*) Term: **14 Years**

(21) Appl. No.: **29/161,606**

(22) Filed: **May 30, 2002**

(30) **Foreign Application Priority Data**

Dec. 4, 2001 (JP) ..... 2001-035732  
Dec. 4, 2001 (JP) ..... 2001-035733

(51) **LOC (7) Cl.** ..... **09-03**

(52) **U.S. Cl.** ..... **D9/432**

(58) **Field of Search** ..... D9/414, 424, 420,  
D9/423, 432, 499; 206/438, 440, 477, 527;  
220/200, 890

(56) **References Cited**

**U.S. PATENT DOCUMENTS**

794,292 A \* 7/1905 Frey  
D140,415 S \* 2/1945 Wise et al. .... D3/321  
D307,718 S \* 5/1990 Tabler ..... D9/432  
D338,402 S \* 8/1993 Gregerson et al. .... D9/418

D369,548 S \* 5/1996 Adams ..... D9/418  
D385,787 S \* 11/1997 Takano et al. .... D9/432  
D386,967 S \* 12/1997 Alarcon ..... D9/432  
D412,786 S \* 8/1999 Killinger ..... D3/273  
D420,583 S \* 2/2000 Cooper, Jr. .... D9/422  
D430,025 S \* 8/2000 Kelsey ..... D9/432

\* cited by examiner

*Primary Examiner*—Ted Shooman

*Assistant Examiner*—Daniel Bui

(74) *Attorney, Agent, or Firm*—Jordan and Hamburg LLP

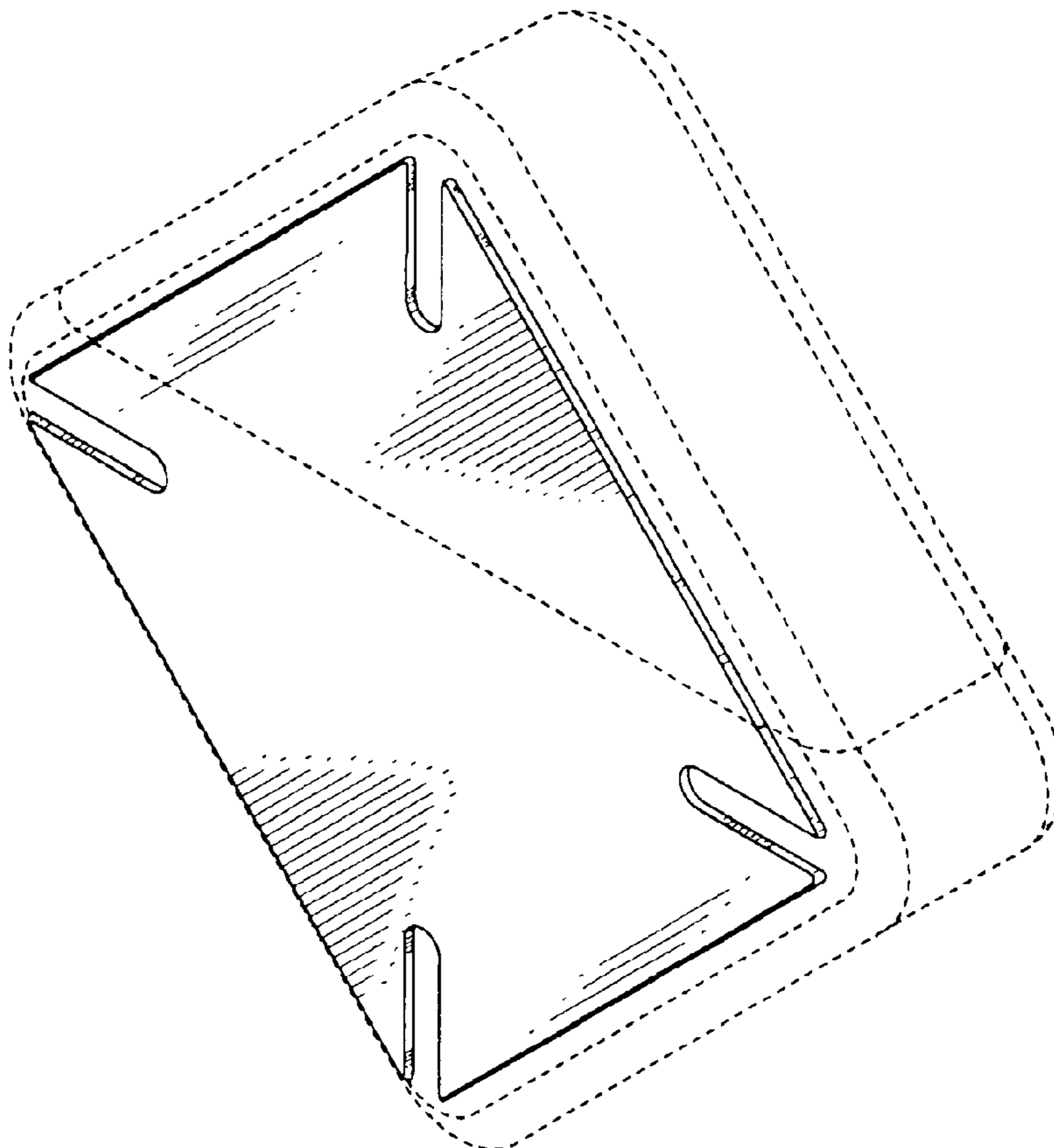
(57) **CLAIM**

The ornamental design for a container, as shown and described.

**DESCRIPTION**

FIG. 1 is a perspective view of a container showing my new design;  
FIG. 2 is a front view thereof;  
FIG. 3 is a rear view thereof;  
FIG. 4 is a left side view thereof;  
FIG. 5 is a top view thereof; and,  
FIG. 6 is a bottom view thereof.  
Portion in broken lines is shown for illustrative purposes only and forms no part of the claimed design.

**1 Claim, 4 Drawing Sheets**



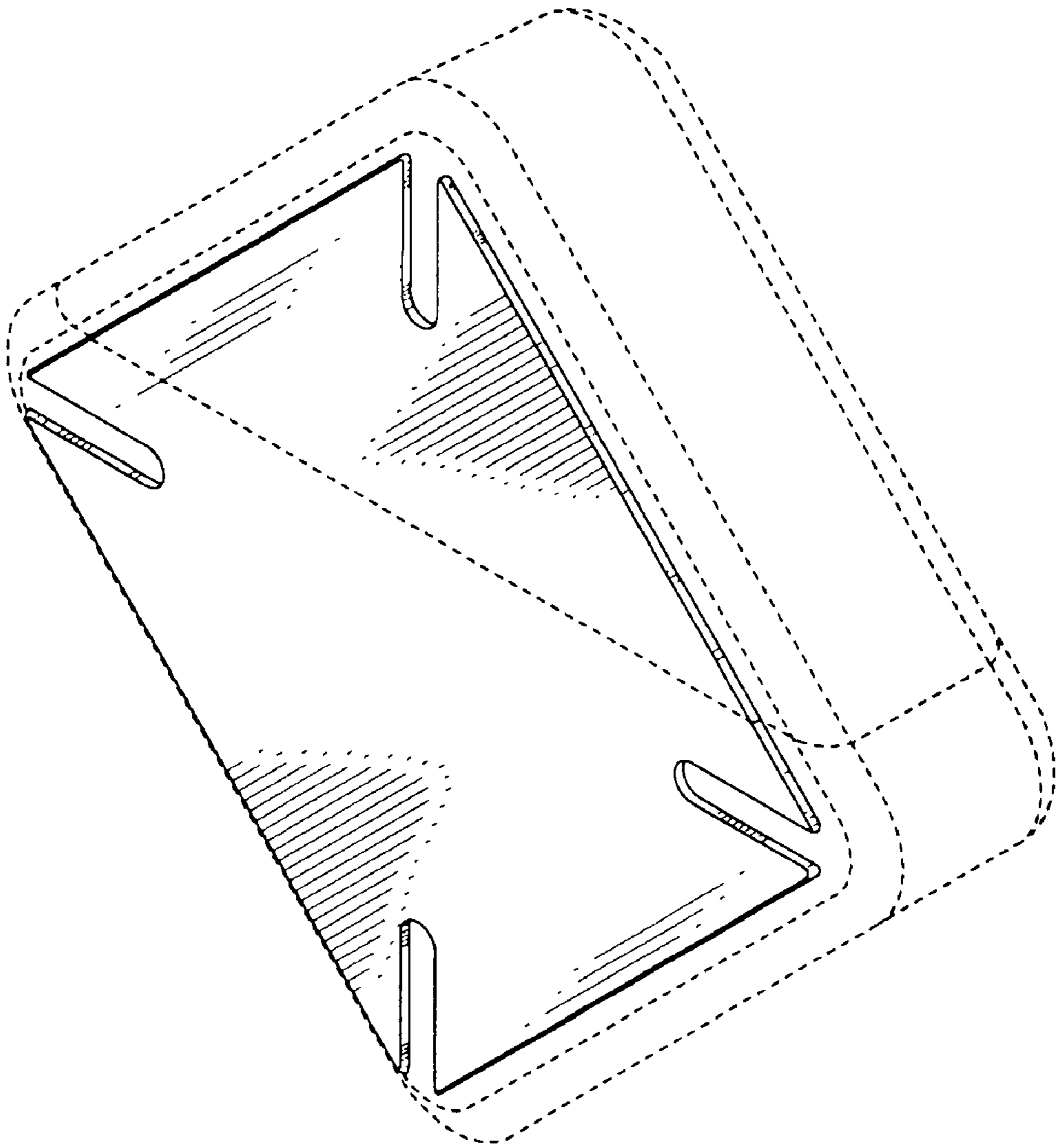


FIG. 1

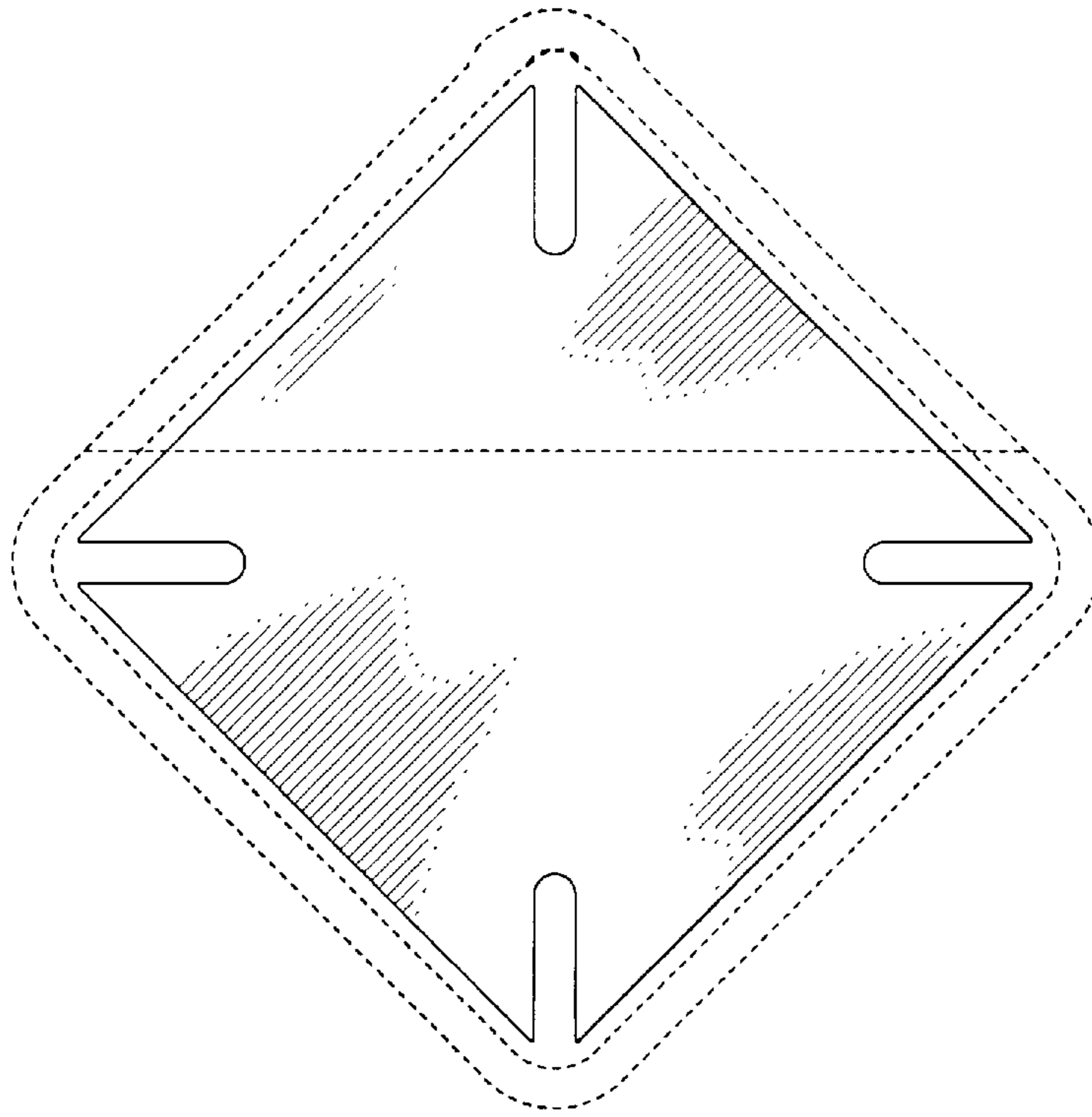


FIG. 2

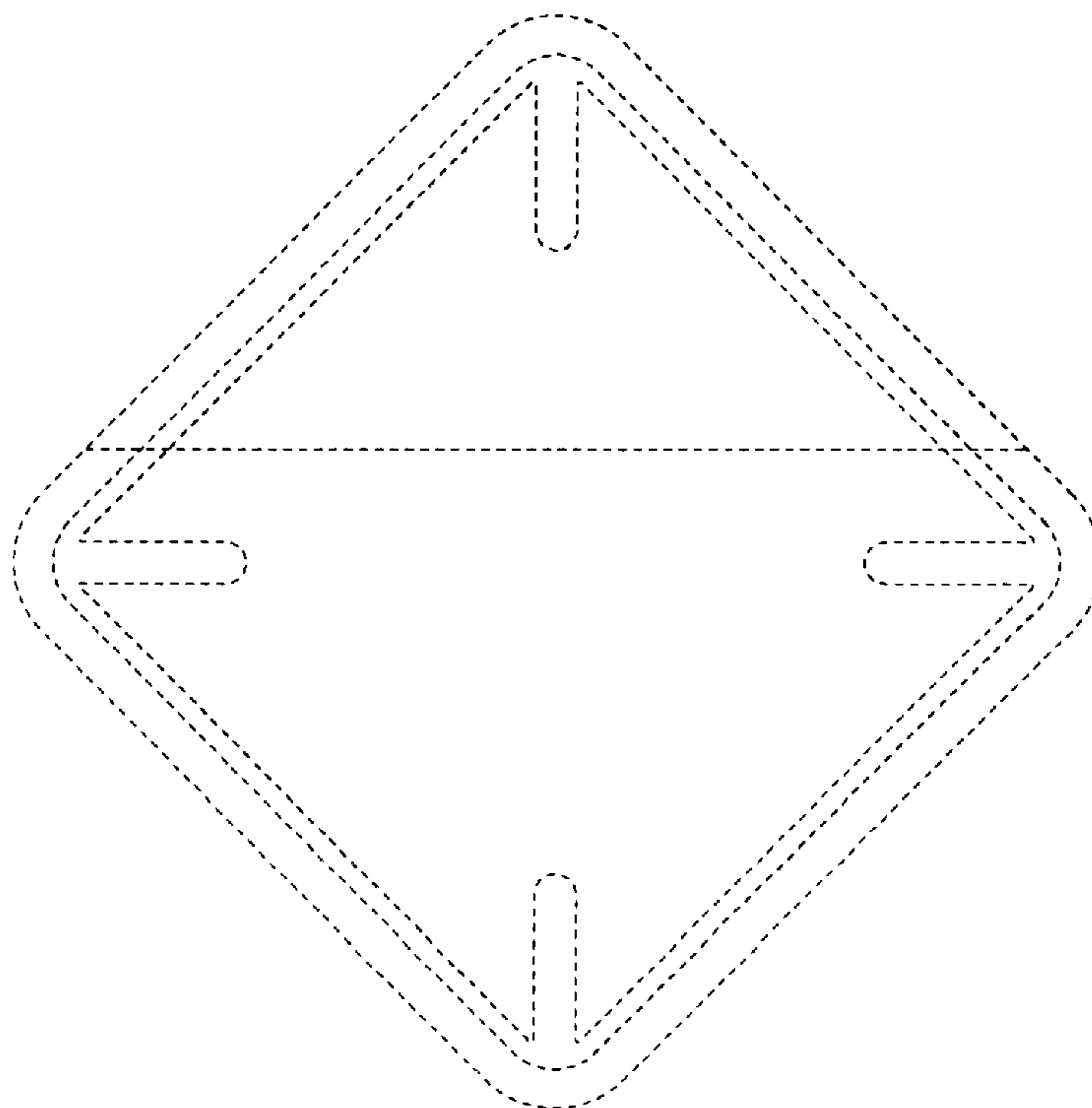


FIG. 3

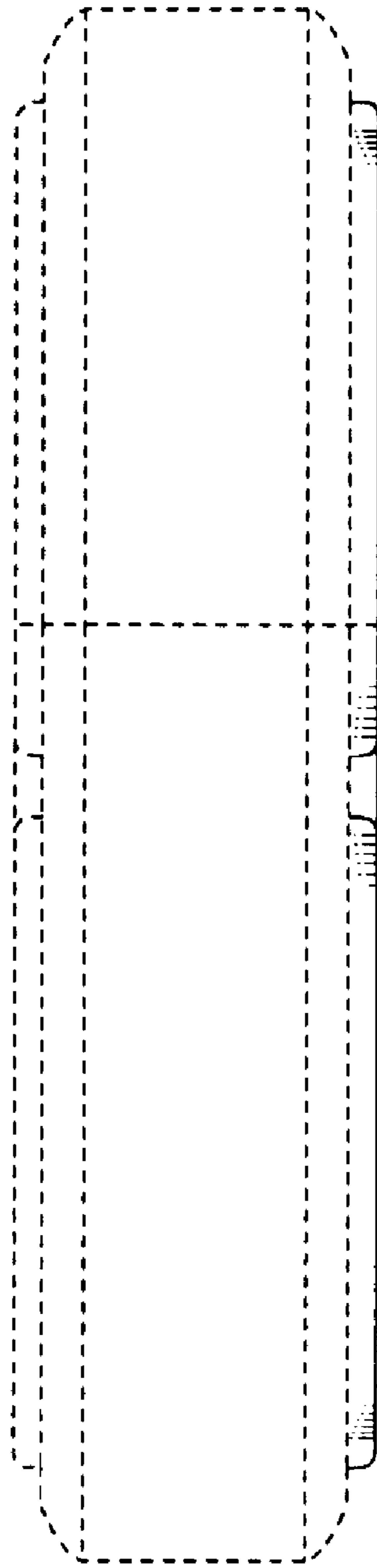


FIG. 4

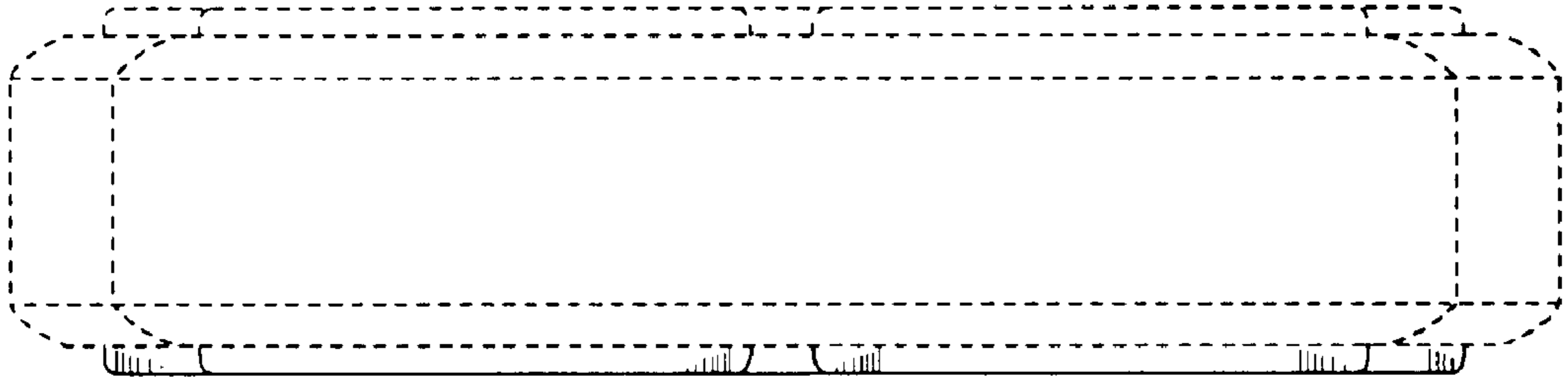


FIG. 5

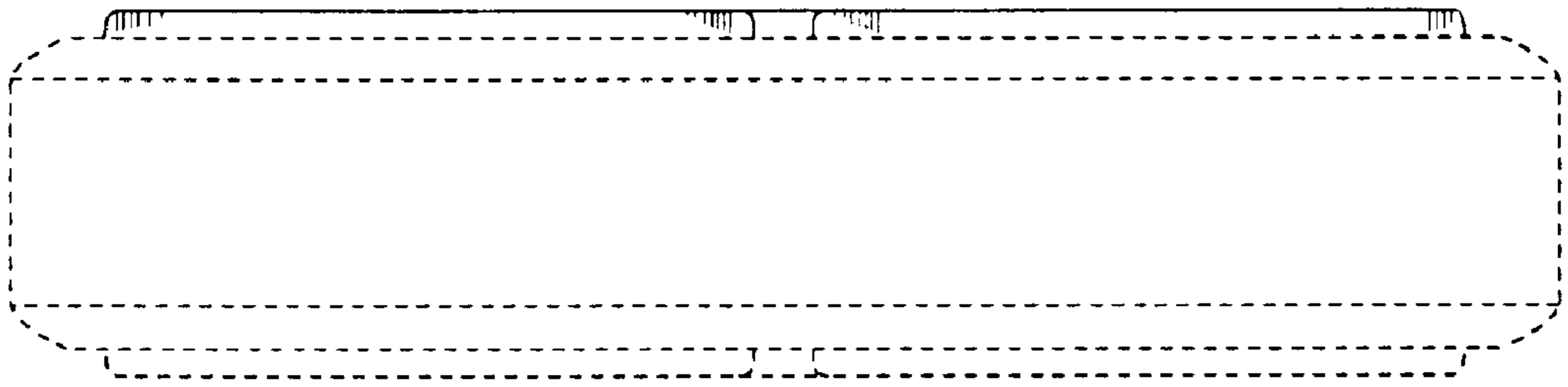


FIG. 6