



US00D487870S

(12) **United States Design Patent**
Stewart et al.

(10) **Patent No.:** **US D487,870 S**
(45) **Date of Patent:** **** Mar. 30, 2004**

(54) **CONTAINER WITH TOP OPENING**

(75) Inventors: **Noel Stewart**, Conyers, GA (US); **L. David Fielder**, Oxford, GA (US)

(73) Assignee: **Stone Container Corporation**, Chicago, IL (US)

(**) Term: **14 Years**

(21) Appl. No.: **29/159,610**

(22) Filed: **Apr. 24, 2002**

(51) **LOC (7) Cl.** **09-03**

(52) **U.S. Cl.** **D9/416; D9/432**

(58) **Field of Search** D9/414, 418, 416, D9/417, 432, 339, 506, 516; 206/233, 769-778, 823, 457, 423, 497; 229/162.1, 162.5, 182.1, 164.2, 106, 107; 220/669, 620, 634, 604, 613, 659; 222/33, 45, 56, 282, 303

(56) **References Cited**

U.S. PATENT DOCUMENTS

294,167	A	*	2/1884	Walsh	220/620
1,759,407	A	*	5/1930	Kingsbury	229/162
3,487,990	A	*	1/1970	Overton, III et al.	229/162
4,158,376	A	*	6/1979	Erb	220/669
4,513,862	A	*	4/1985	Mallow	206/233
4,976,355	A	*	12/1990	Crutchfield	206/457
D336,017	S	*	6/1993	Smith et al.	D9/432
5,439,104	A	*	8/1995	Wolska-Klis	206/233
D362,180	S	*	9/1995	Haines	D9/432
D446,717	S	*	8/2001	Lancaster et al.	D9/418
6,371,296	B1	*	4/2002	Rumbough	206/233
D459,221	S	*	6/2002	Springer et al.	D9/416

* cited by examiner

Primary Examiner—Prabhakar Deshmukh

(74) *Attorney, Agent, or Firm*—Greenberg Traurig

(57) **CLAIM**

The ornamental design for container with top opening, as shown and described.

DESCRIPTION

FIG. 1 is a front, perspective view of a container with top opening in accordance with the present invention;

FIG. 2 is a side elevation, in section of the container with top opening, taken along line 2—2, of FIG. 1;

FIG. 3 is a top plan view of the container with top opening of FIG. 1;

FIG. 4 is a bottom plan view of the container with top opening of FIG. 1;

FIG. 5 is a rear side view of the container with top opening of FIG. 1;

FIG. 6 is a front view of the container with top opening of FIG. 1;

FIG. 7 is a side view of the container with top opening of FIG. 1;

FIG. 8 is another side view of the container with top opening;

FIG. 9 is a perspective view of the container with top opening, according to another embodiment of the invention;

FIG. 10 is a top plan view thereof;

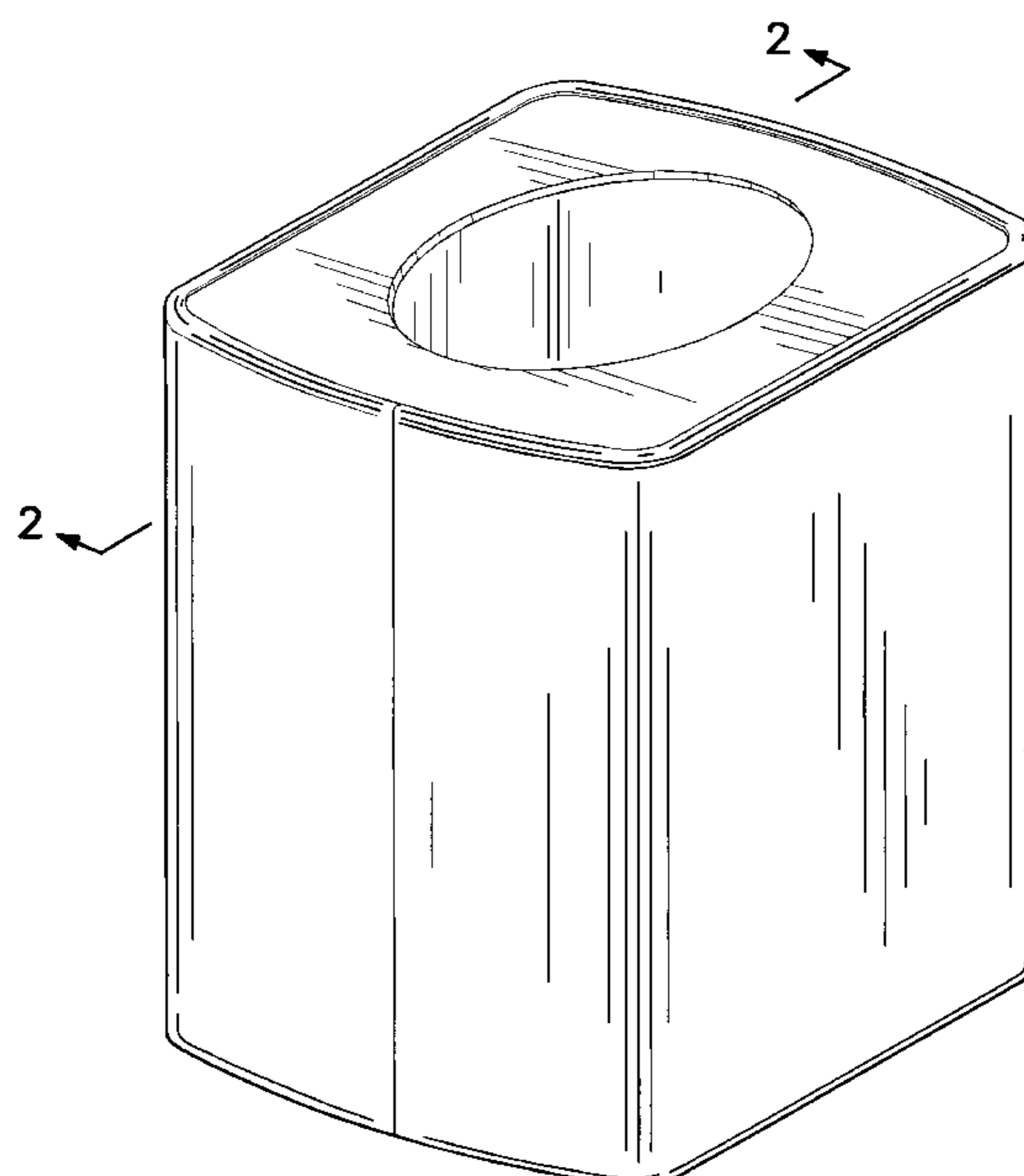
FIG. 11 is a bottom plan view thereof;

FIG. 12 is a perspective view of the container with top opening according to still another embodiment of the invention

FIG. 13 is a top plan view thereof; and,

FIG. 14 is a bottom plan view thereof.

1 Claim, 14 Drawing Sheets



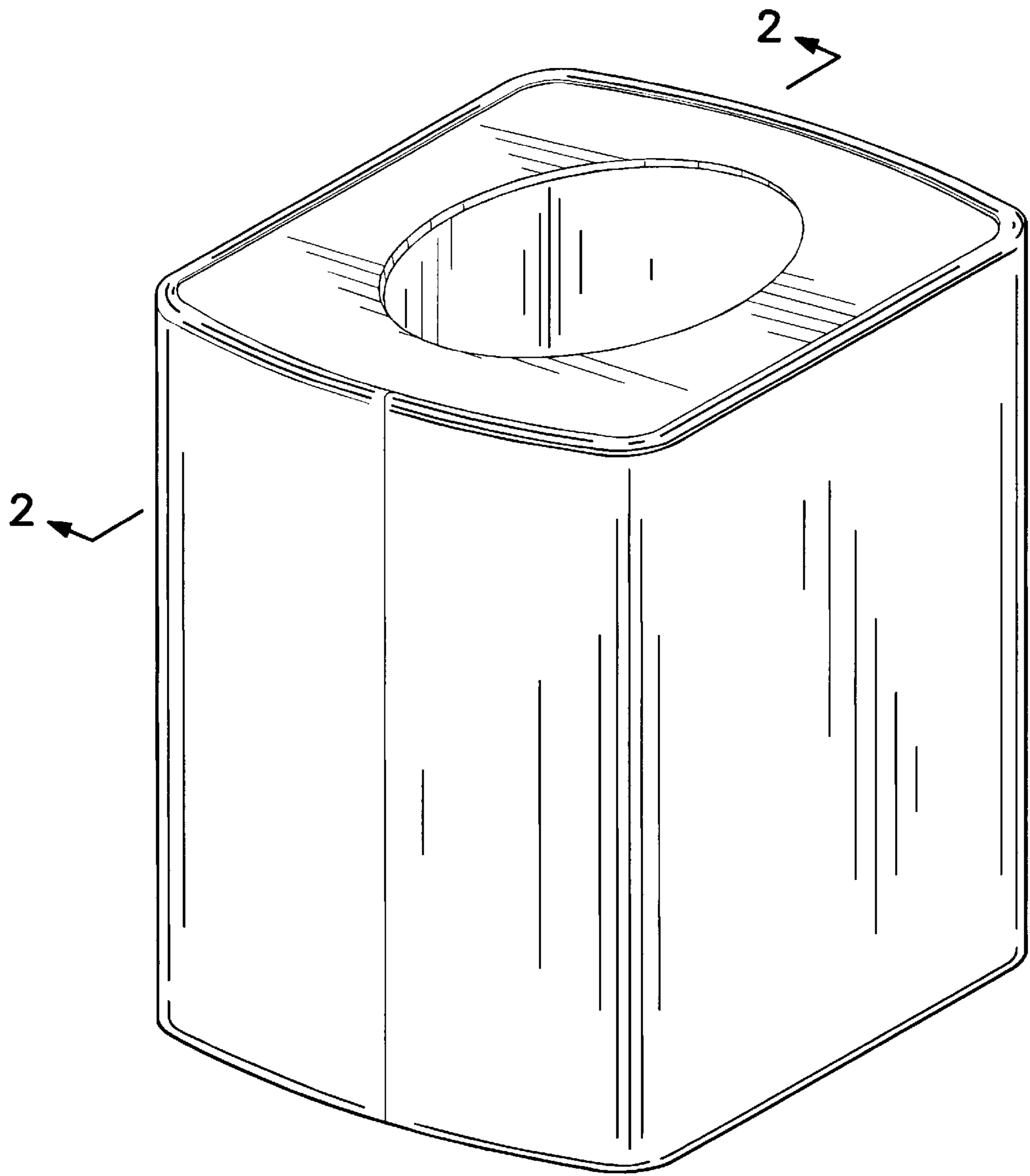


FIG. 1

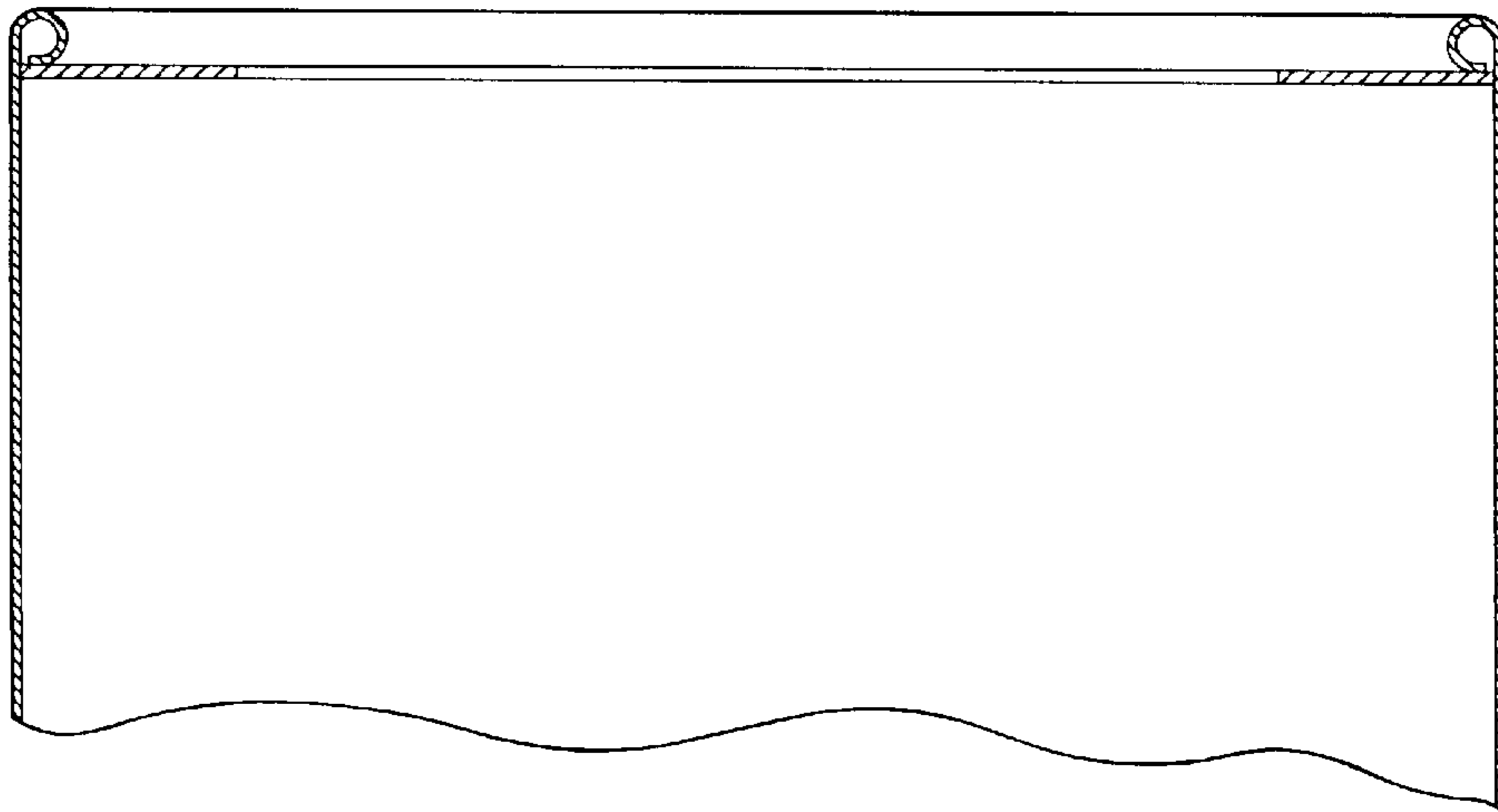


FIG. 2

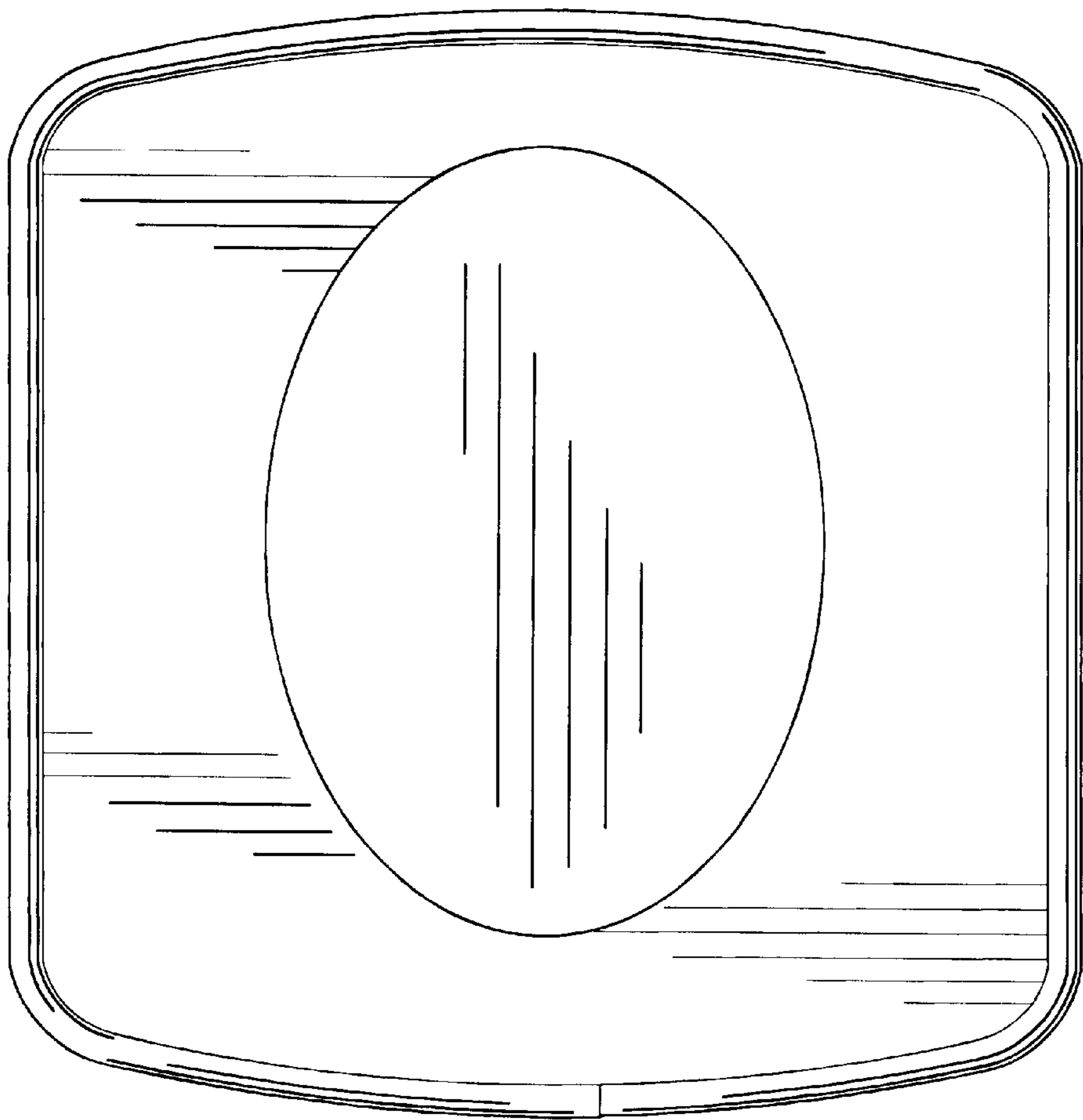


FIG. 3

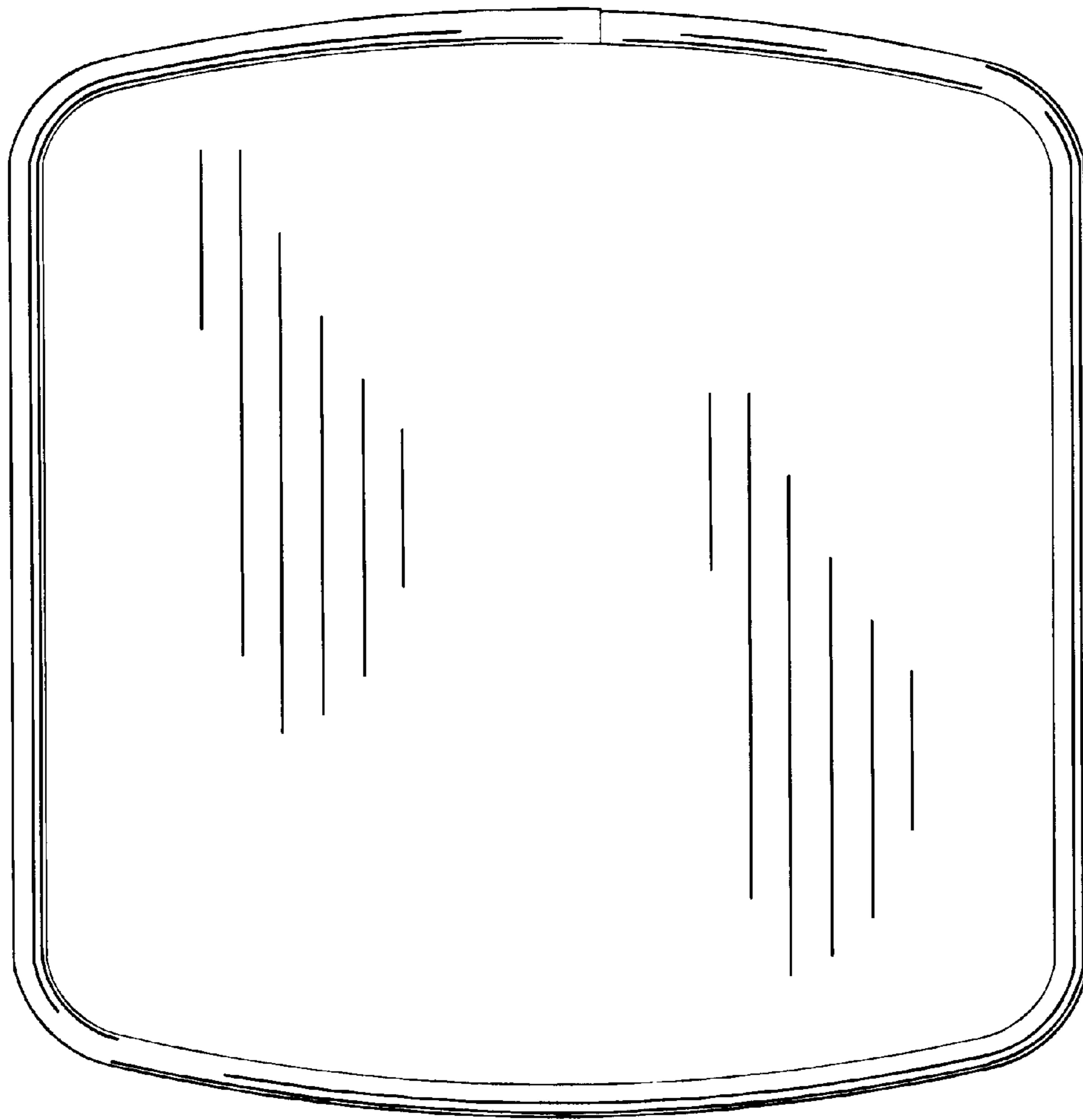


FIG. 4

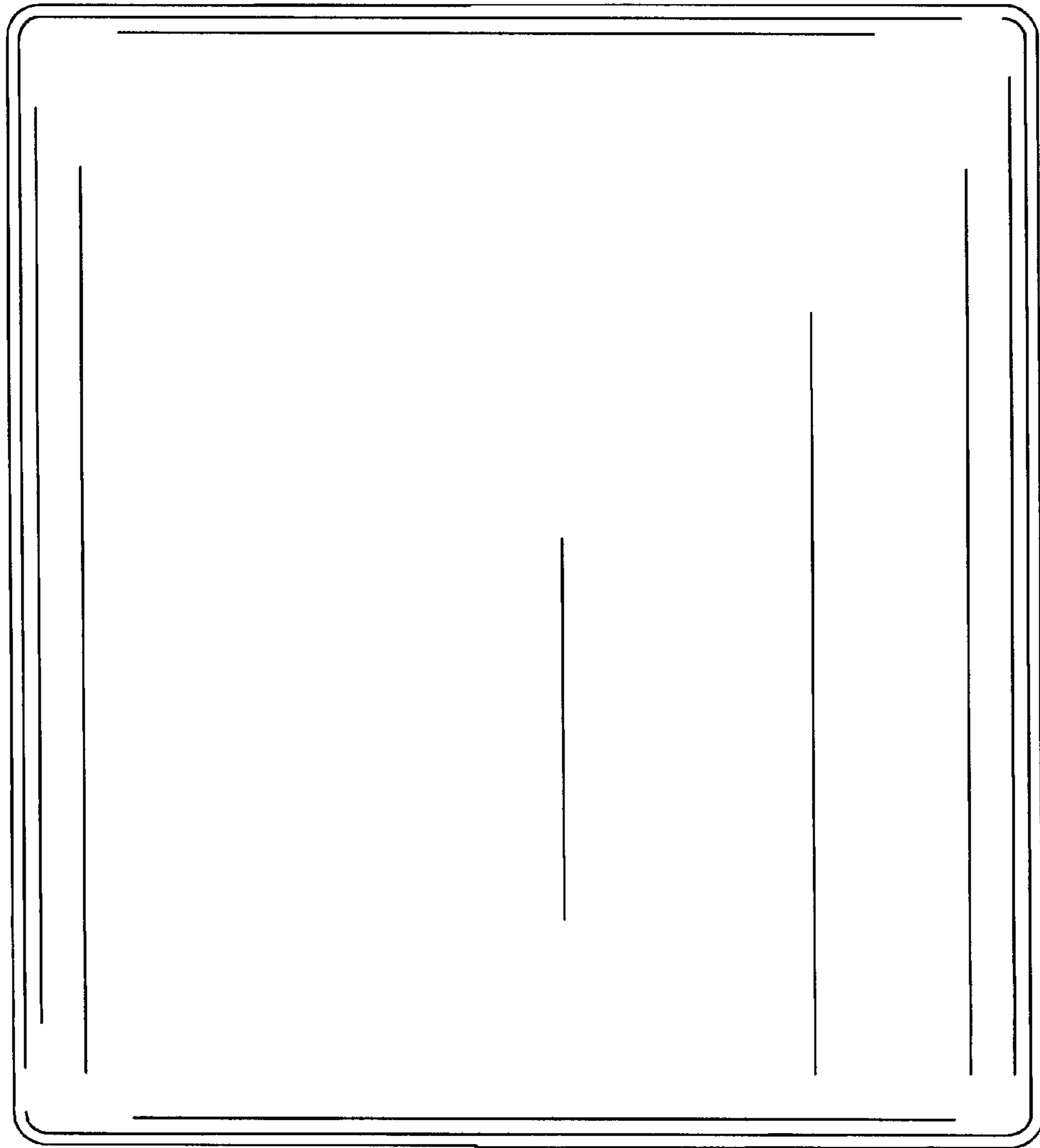


FIG. 5

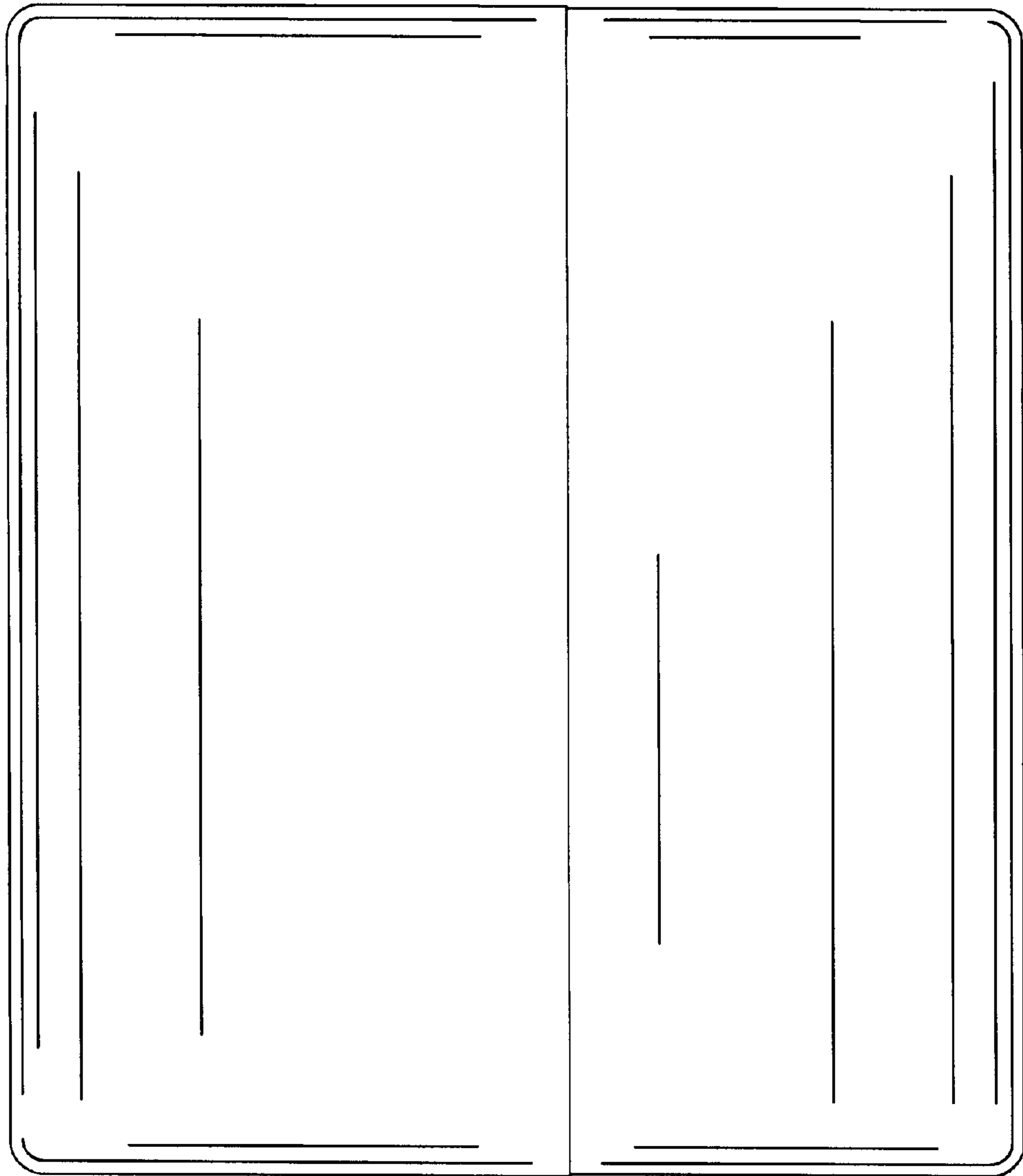


FIG. 6

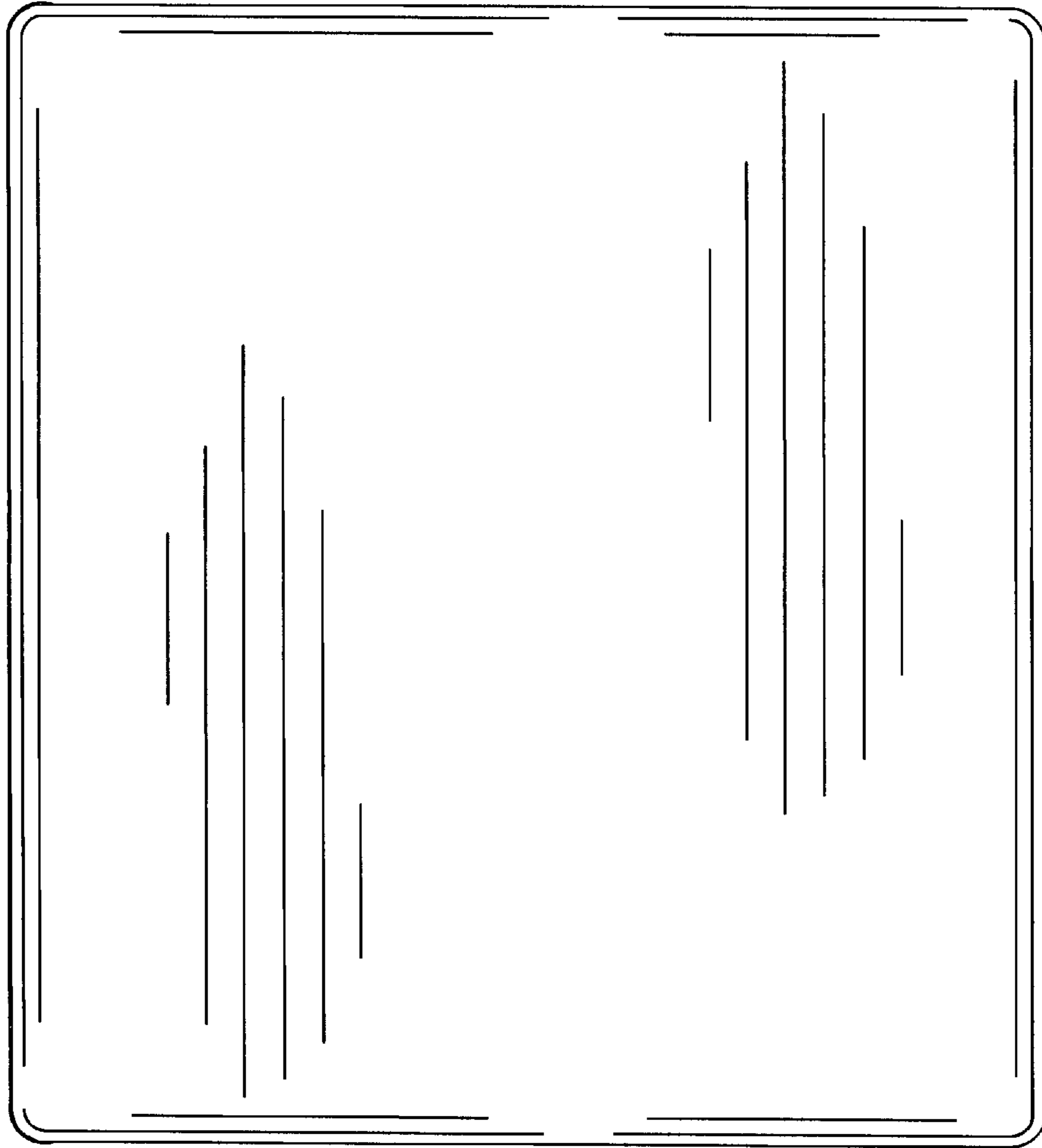


FIG. 7

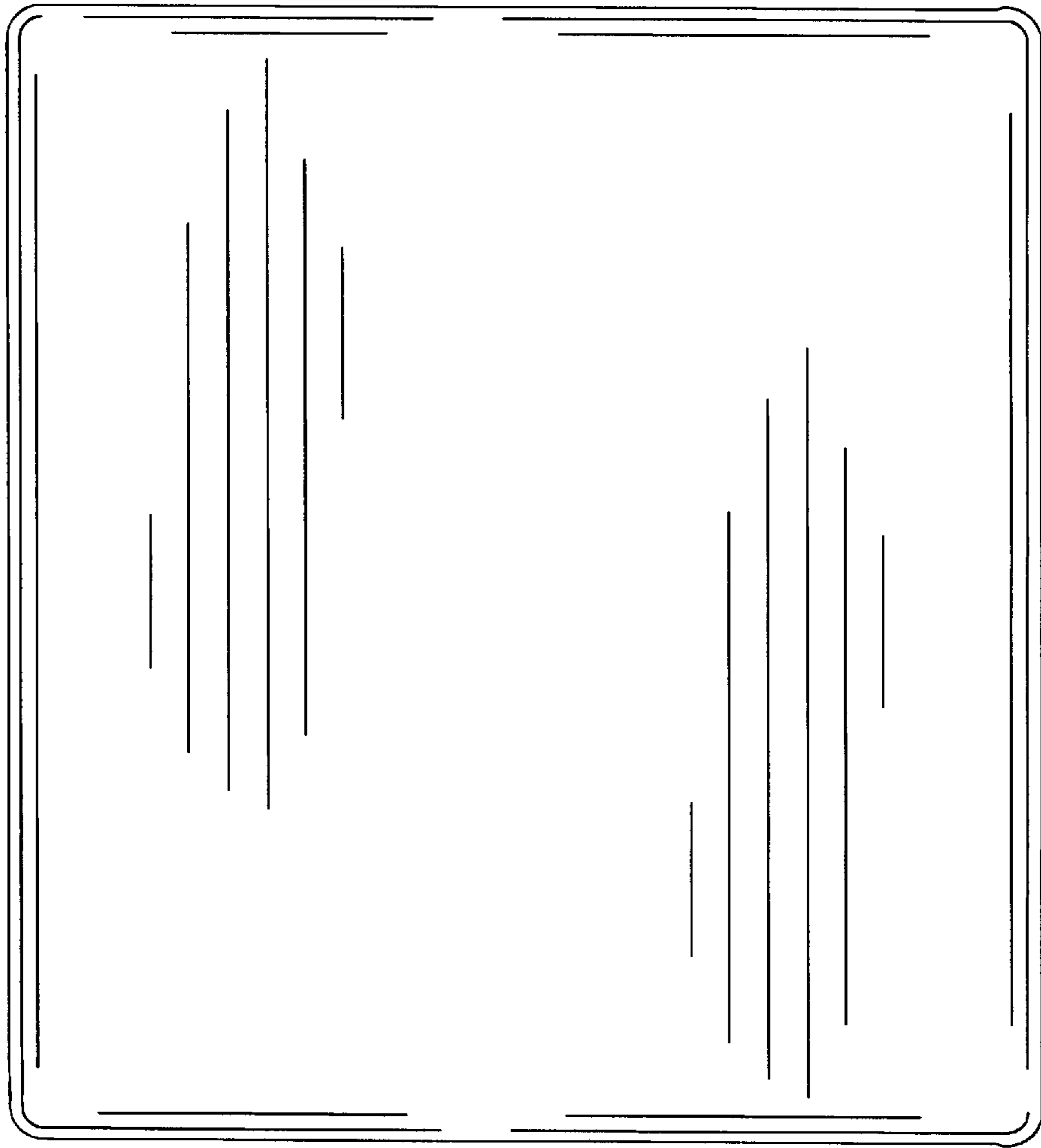


FIG. 8

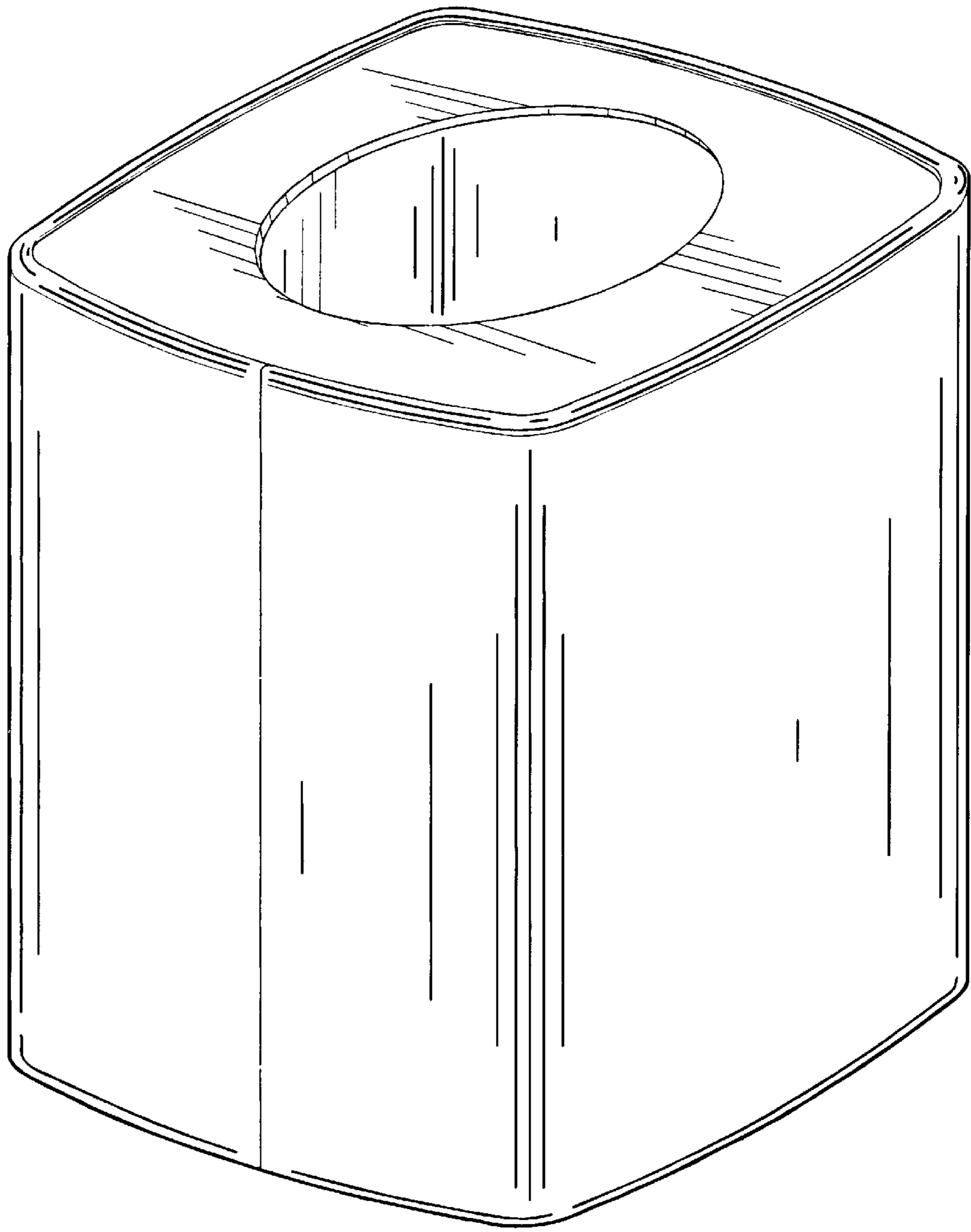


FIG. 9

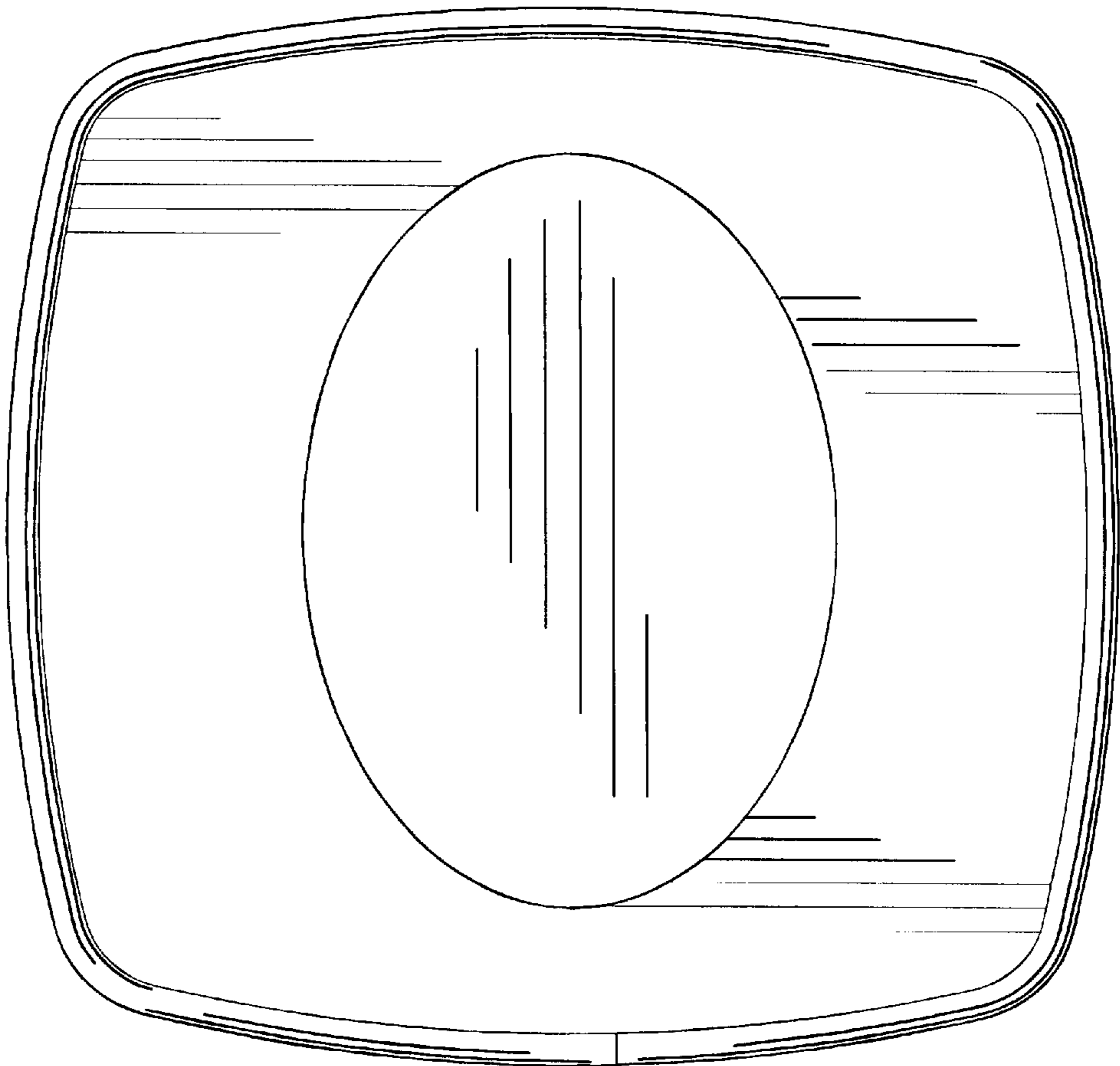


FIG. 10

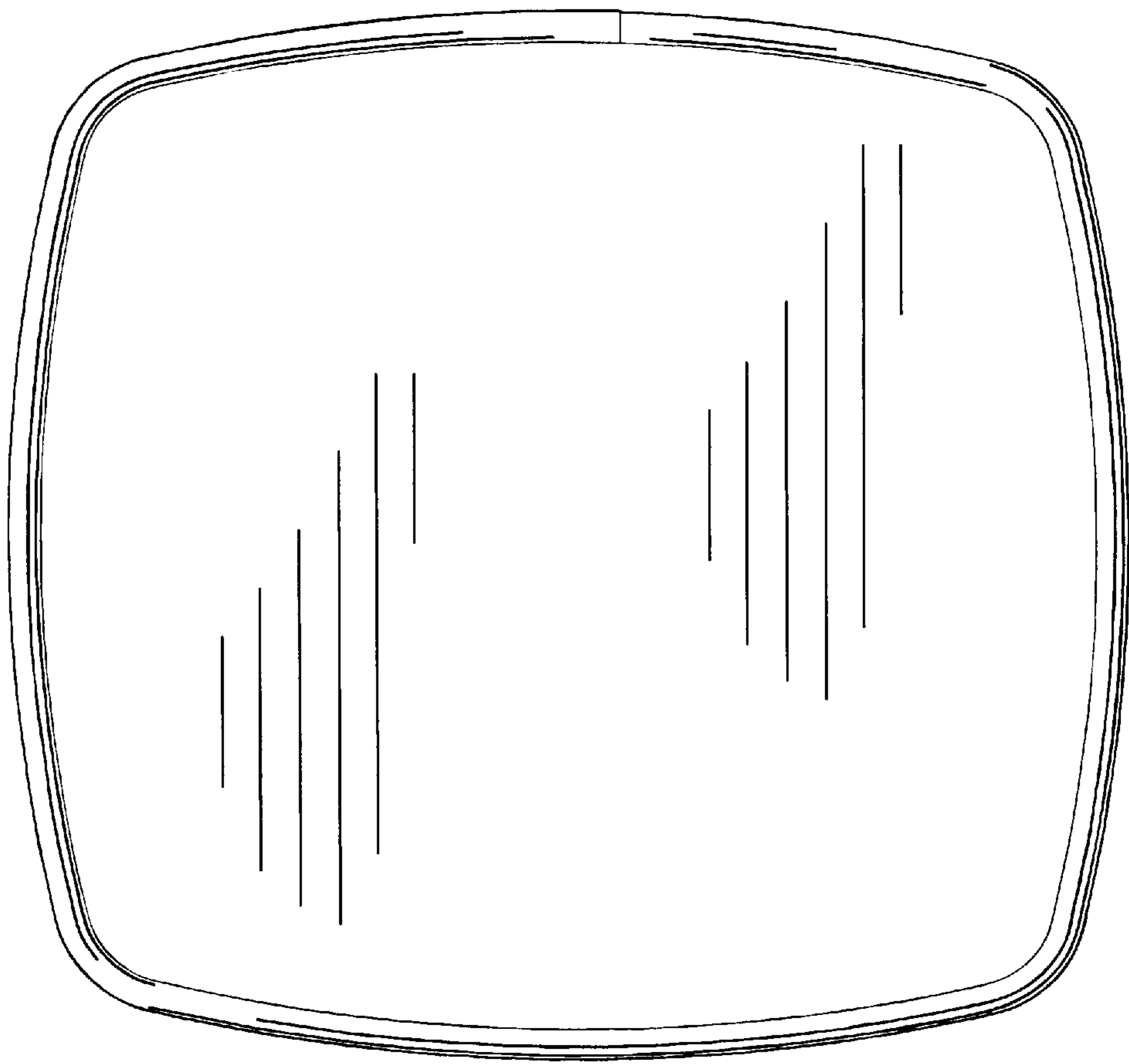


FIG. 11

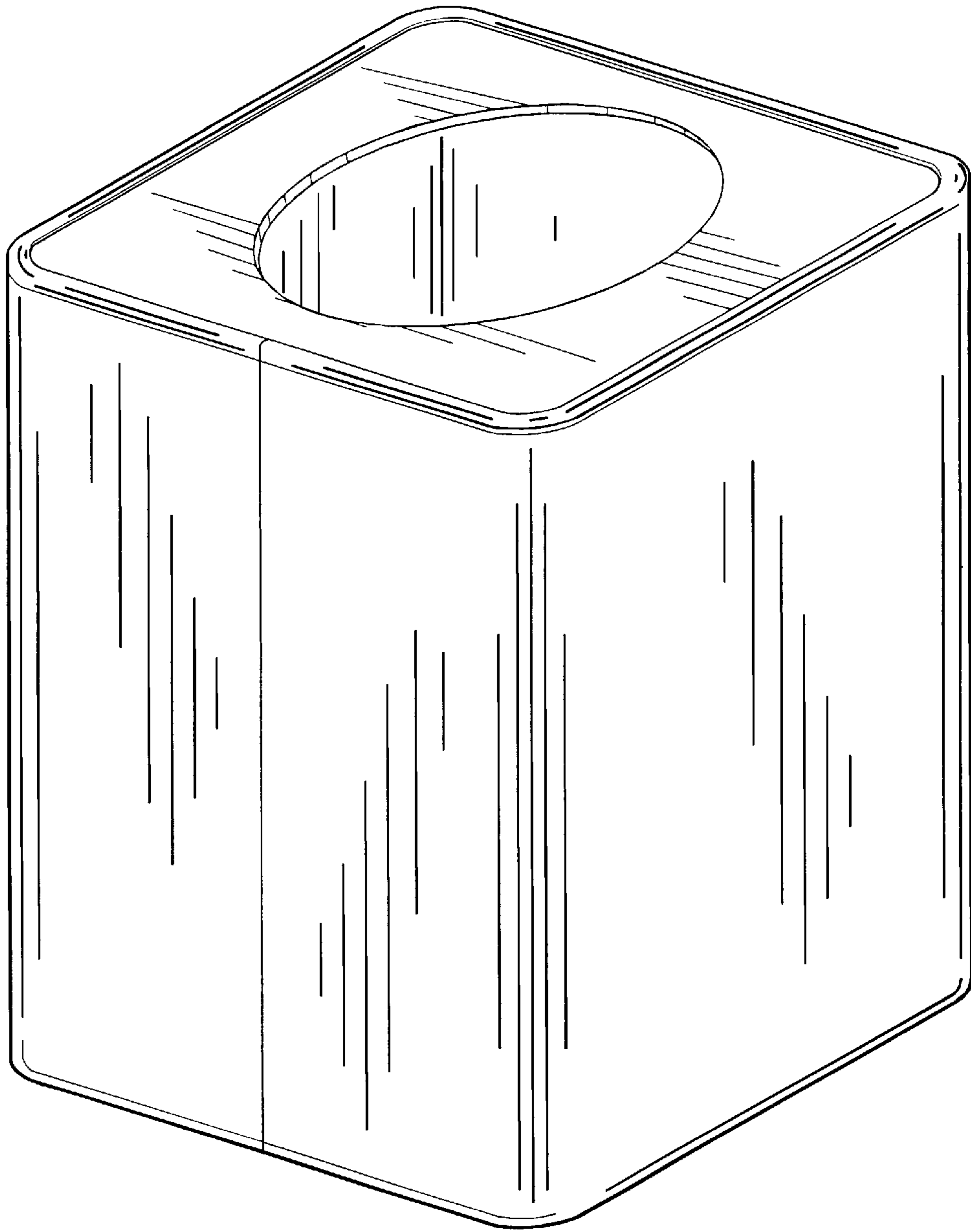


FIG. 12

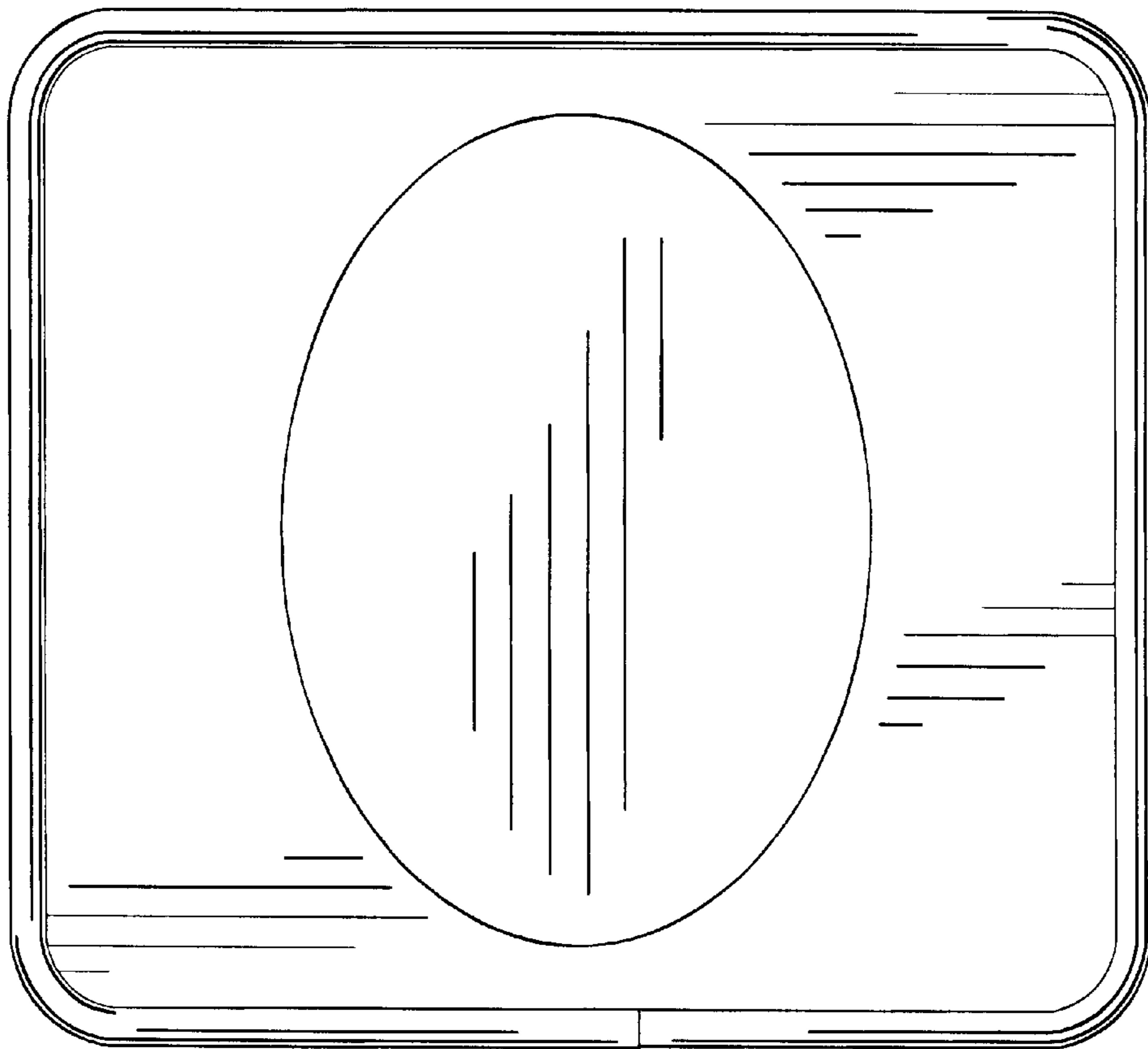


FIG. 13

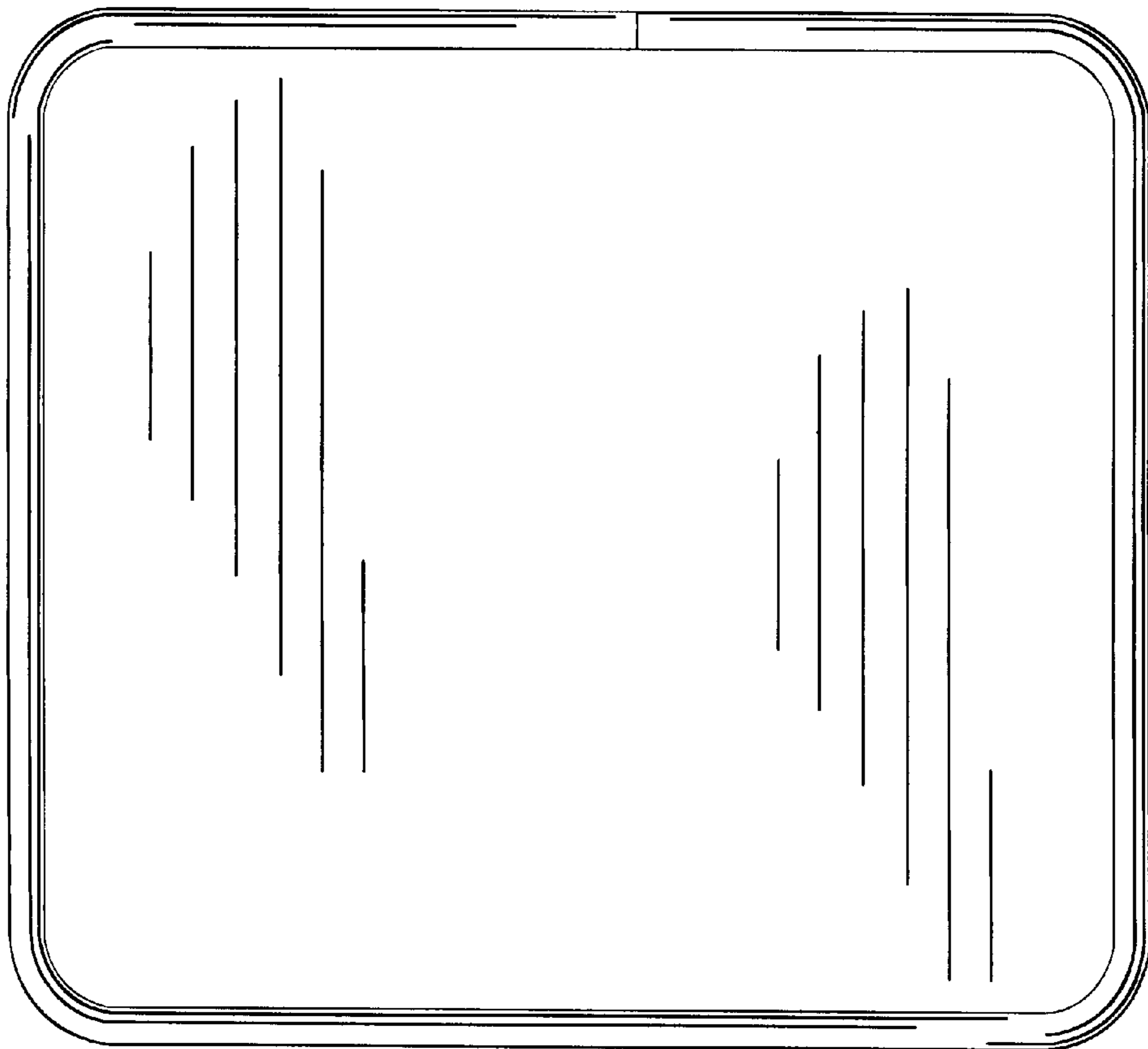


FIG. 14