



US00D487869S

(12) **United States Design Patent**
Mandel et al.

(10) **Patent No.:** **US D487,869 S**
(45) **Date of Patent:** **** Mar. 30, 2004**

(54) **COMBINATION MEMO PAD HOLDER WITH HIGHLIGHTER**

(74) *Attorney, Agent, or Firm*—Christie, Parker & Hale, LLP

(75) Inventors: **Logan Flash Mandel**, Los Angeles, CA (US); **Won Jung**, Los Angeles, CA (US)

(57) **CLAIM**

The ornamental design for a combination memo pad holder with highlighter, as shown and described.

(73) Assignee: **GMPC**, Santa Monica, CA (US)

DESCRIPTION

(**) Term: **14 Years**

(21) Appl. No.: **29/177,358**

(22) Filed: **Mar. 7, 2003**

(51) **LOC (7) Cl.** **09-03**

(52) **U.S. Cl.** **D9/337; D19/78**

(58) **Field of Search** D9/337, 338, 341, D9/347, 414, 415, 516, 424, 425, 432, 499; D19/1, 35, 36, 41, 51, 52, 78, 75, 76, 84, 90; 206/214, 216, 232, 349, 424, 425, 447, 557

FIG. 1 is a top right perspective view of the combination memo pad holder with highlighter of the invention.

FIG. 2 is a top right perspective view of the invention of FIG. 1, with its highlighter shown withdrawn from the memo pad holder.

FIG. 3 is a top plan view of the invention of FIG. 1.

FIG. 4 is a rear view of the invention of FIG. 1.

FIG. 5 is a left side view of the invention of FIG. 1.

FIG. 6 is a right side view of the invention of FIG. 1.

FIG. 7 is a front view of the invention of FIG. 1.

FIG. 8 is a bottom plan view of the invention of FIG. 1.

FIG. 9 is an enlarged top plan view of the highlighter of the invention in FIG. 2.

FIG. 10 is an enlarged front view of the highlighter of the invention shown in FIG. 9.

FIG. 11 is an enlarged left side view of the highlighter of the invention shown in FIG. 9.

FIG. 12 is an enlarged bottom view of the highlighter of the invention shown in FIG. 9; and,

FIG. 13 is a rear view of the highlighter of the invention shown in FIG. 9.

The right side view of a highlighter shown in FIG. 10 is a mirror image of the left side view of a highlighter of the invention shown in FIG. 11.

The highlighter is shown separately in FIGS. 9–13 for clarity of illustration.

(56) **References Cited**

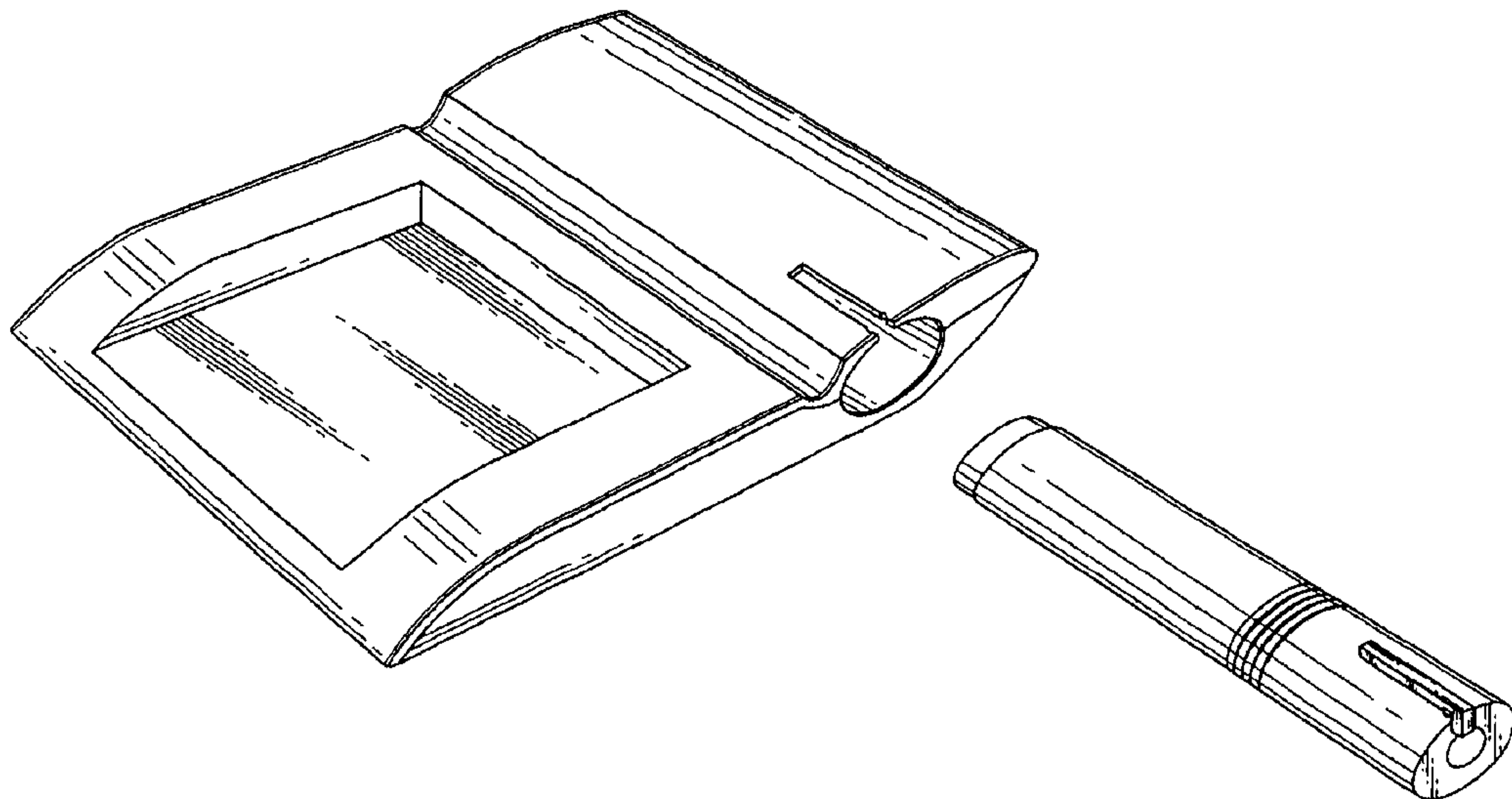
U.S. PATENT DOCUMENTS

D318,881 S	*	8/1991	Chase	D19/88
D334,946 S	*	4/1993	Tarozzi	D19/77
D337,788 S	*	7/1993	Lian-Mey	D19/78
D338,494 S	*	8/1993	Hofman	D19/78
D338,495 S	*	8/1993	Carella	D19/78
D349,240 S	*	8/1994	Booten	D9/422
D365,850 S	*	1/1996	Romans	D19/36
D410,951 S	*	6/1999	Schwarzwaelder	D19/36
D423,343 S	*	4/2000	Smith et al.	D9/337
D450,348 S	*	11/2001	Beno	D19/52

* cited by examiner

Primary Examiner—Philip S. Hyder
Assistant Examiner—Daniel Bui

1 Claim, 5 Drawing Sheets



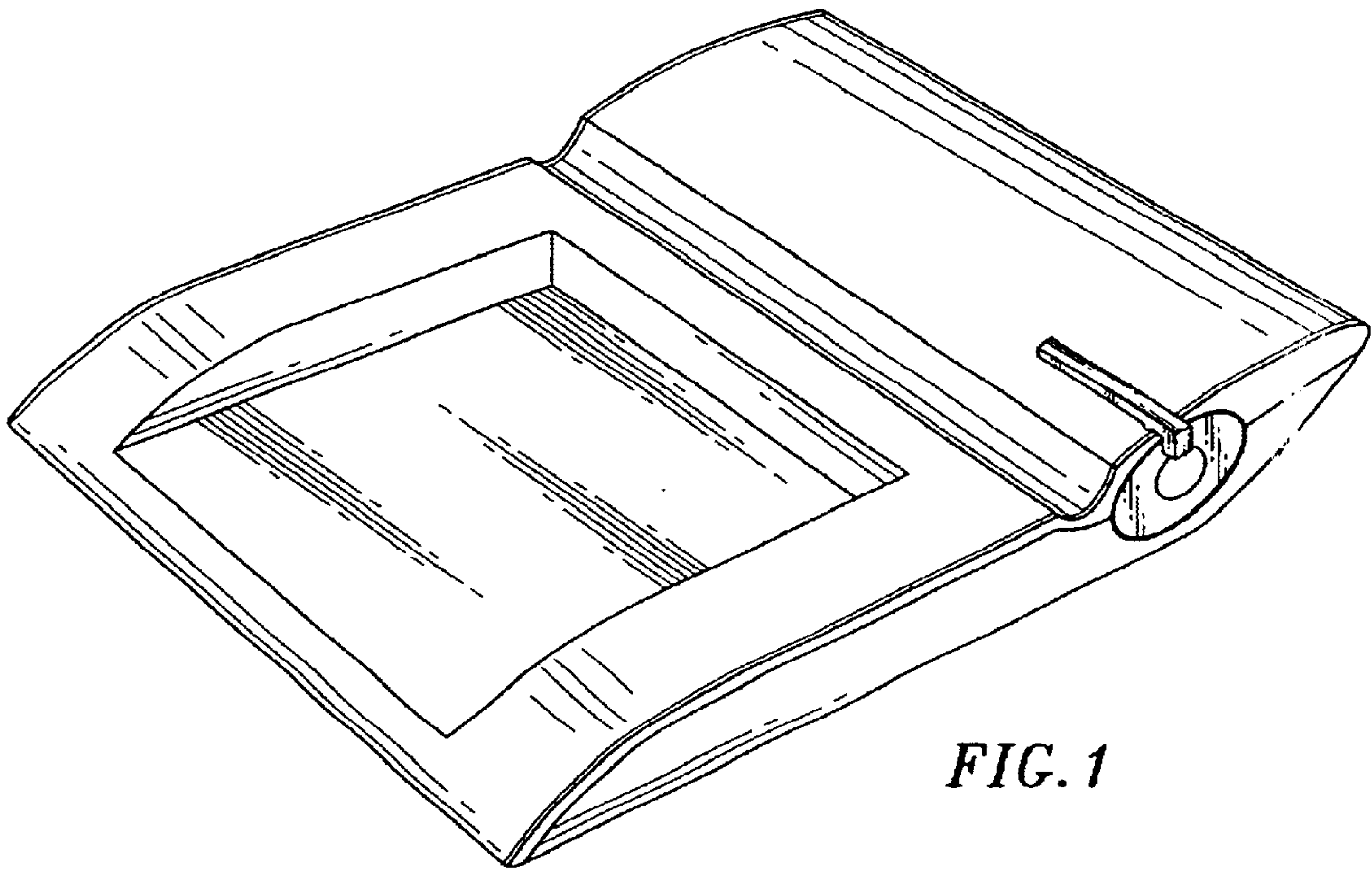
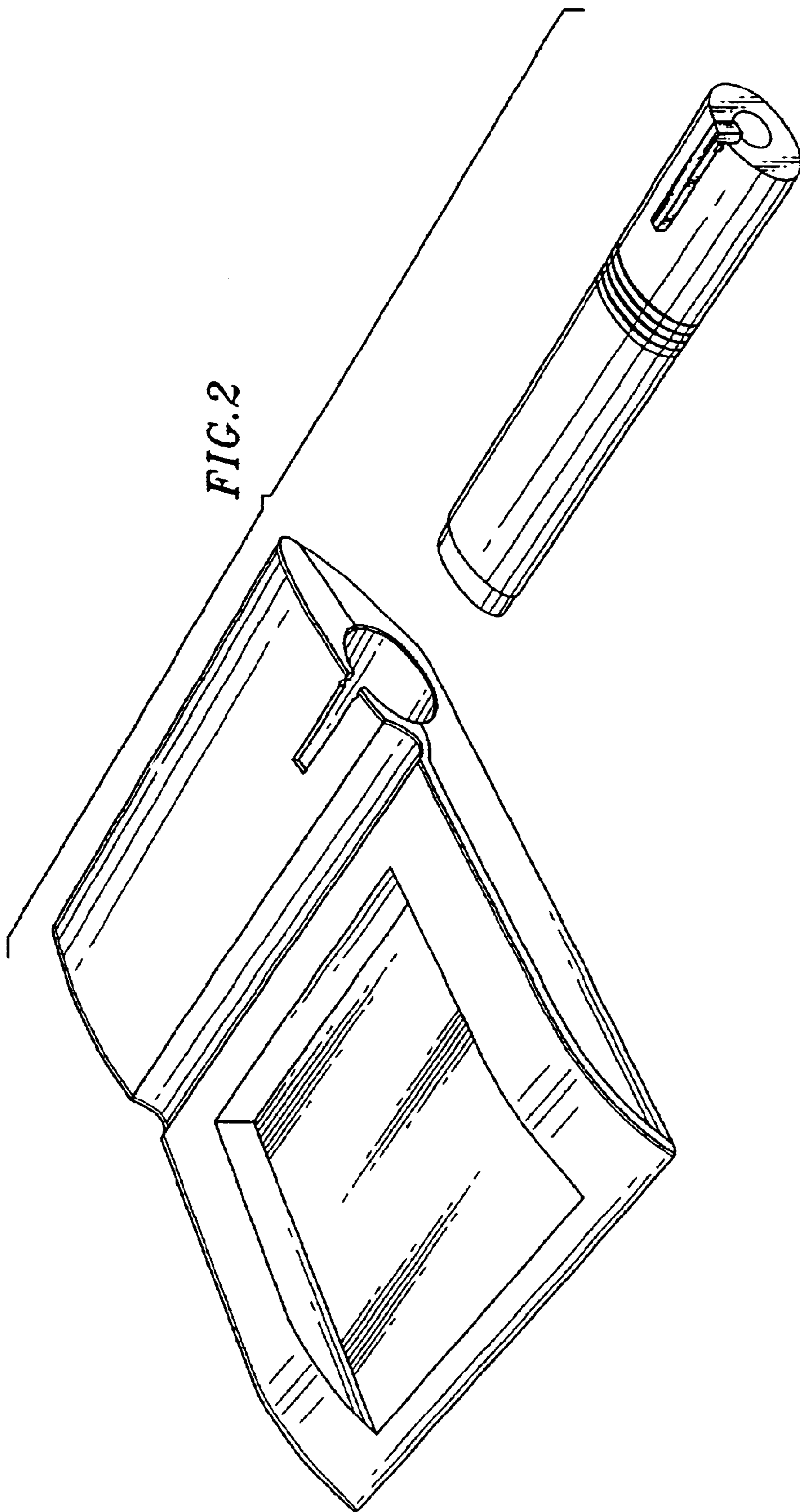


FIG. 1



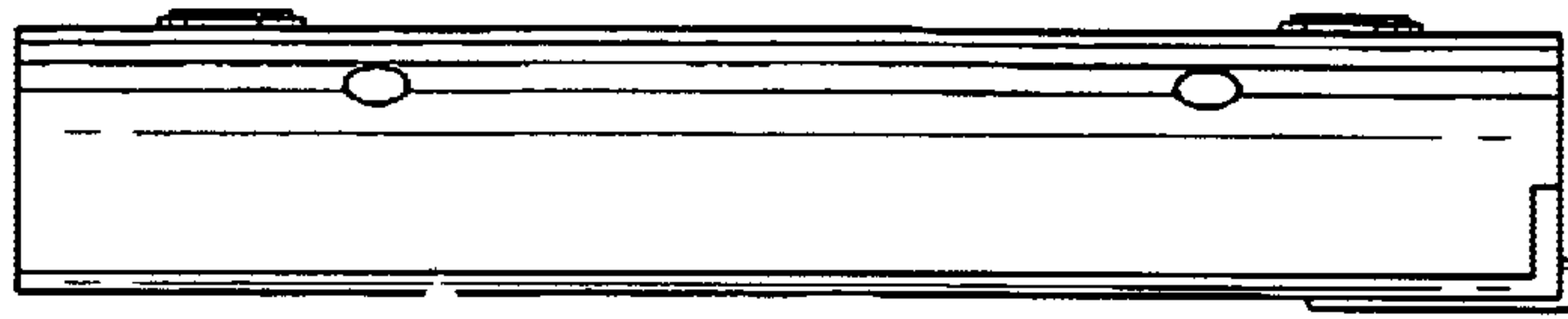


FIG. 4

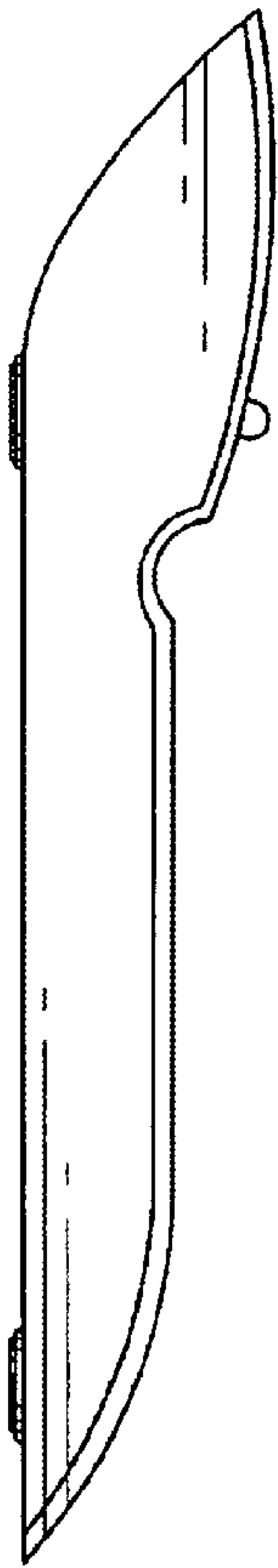


FIG. 5

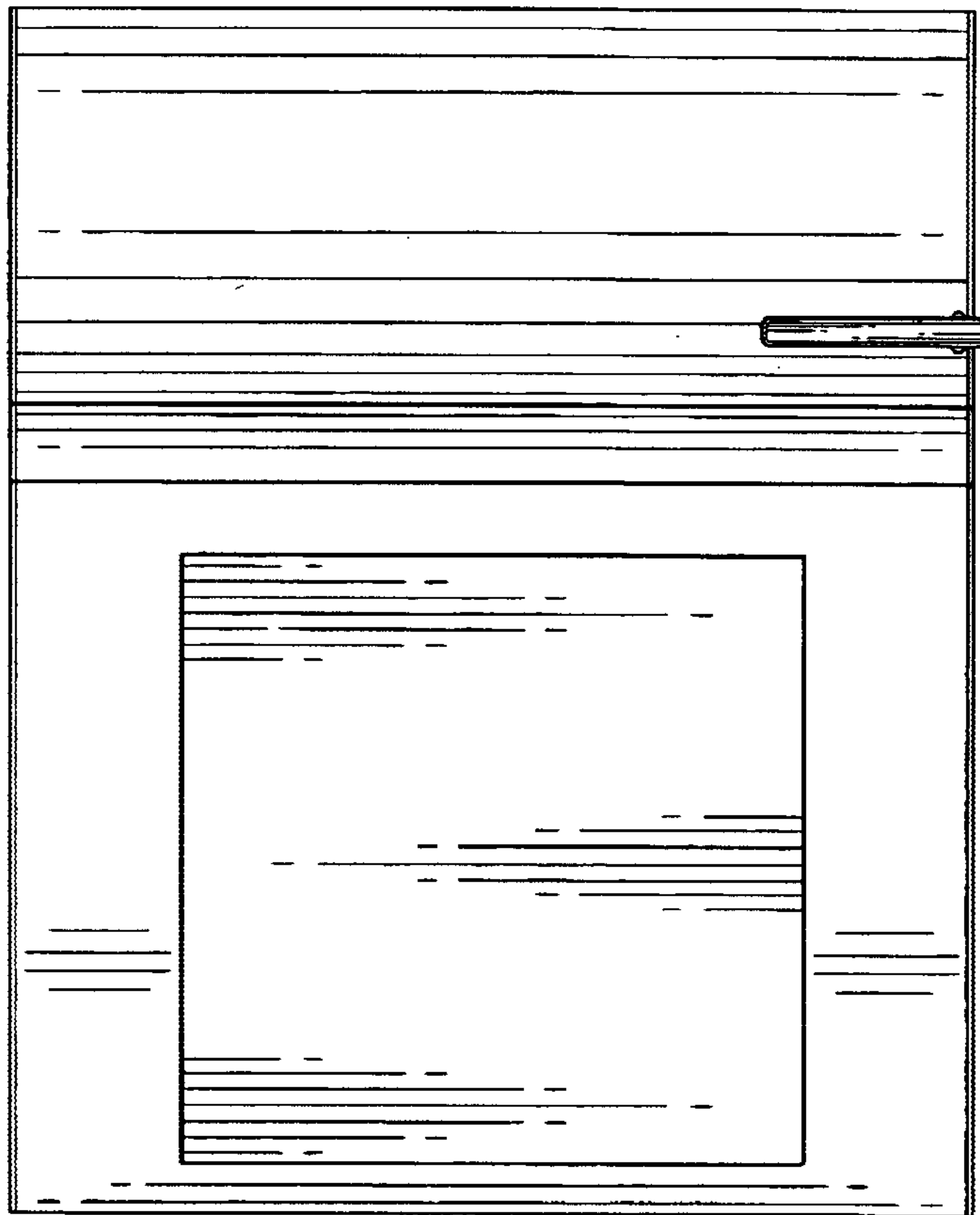


FIG. 3

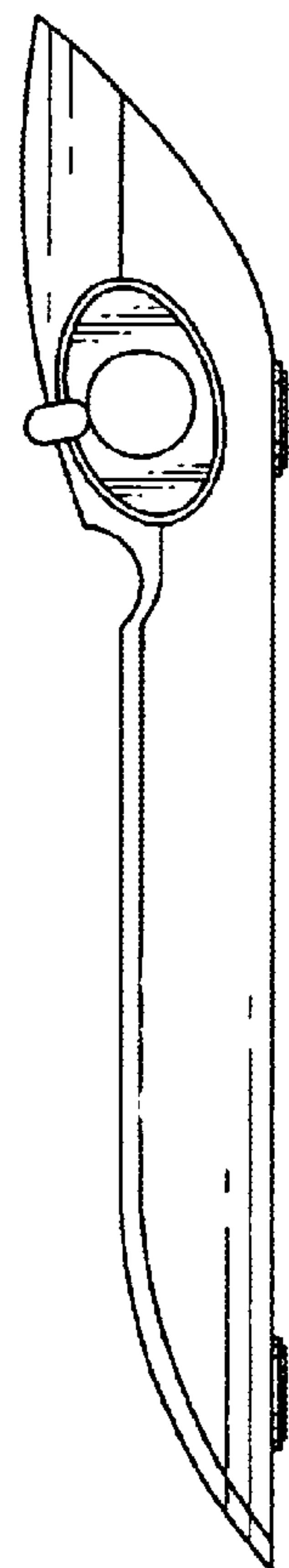


FIG. 6

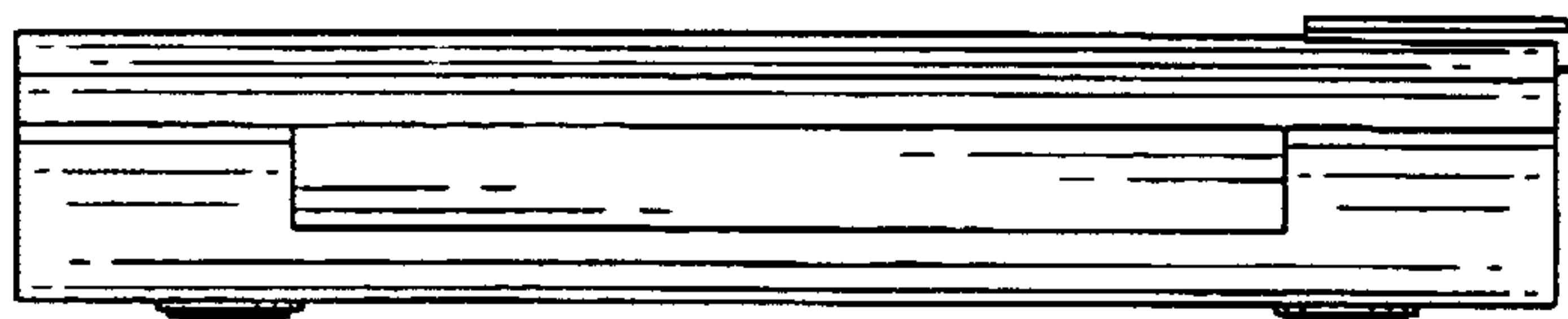


FIG. 7

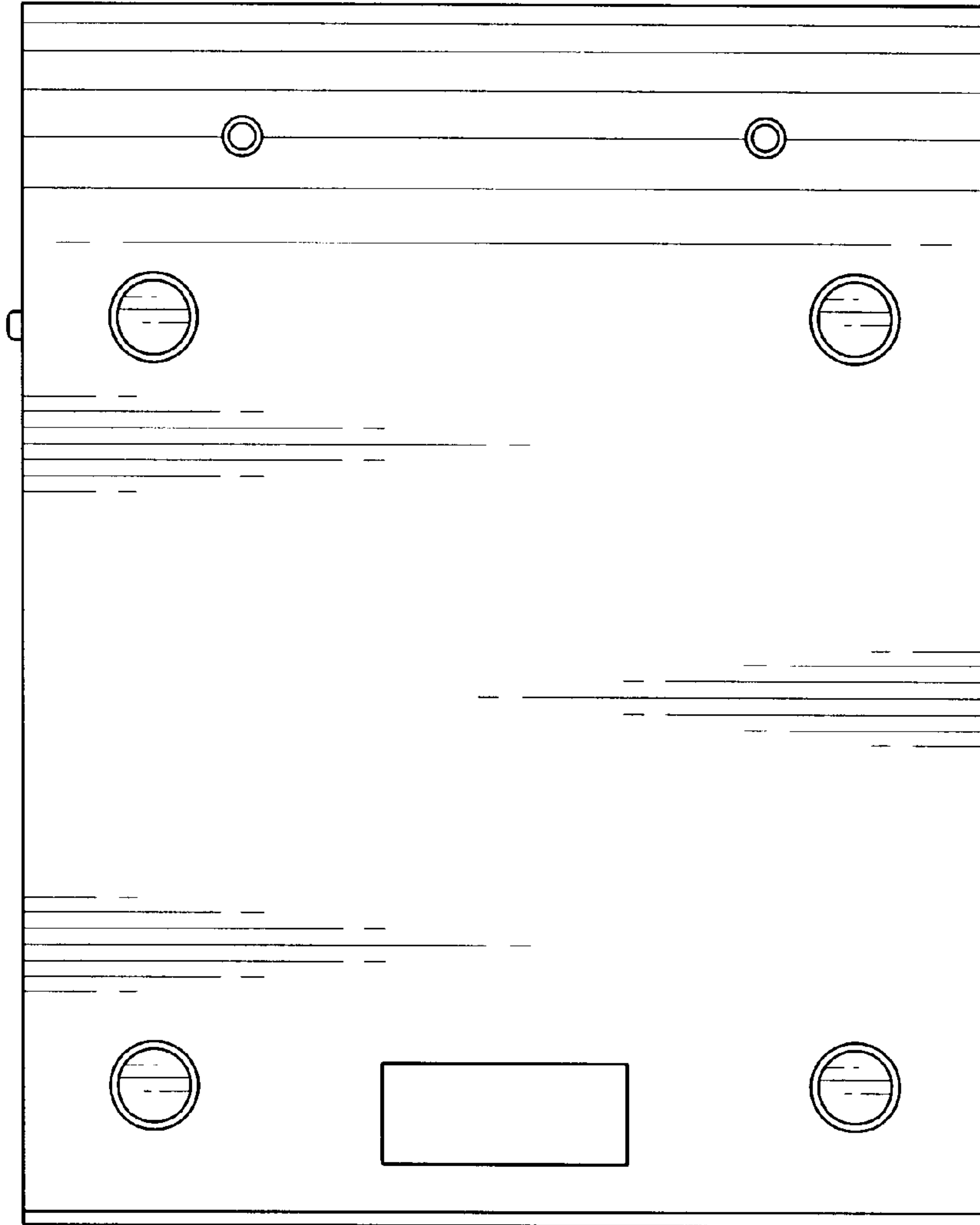


FIG. 8

FIG. 9

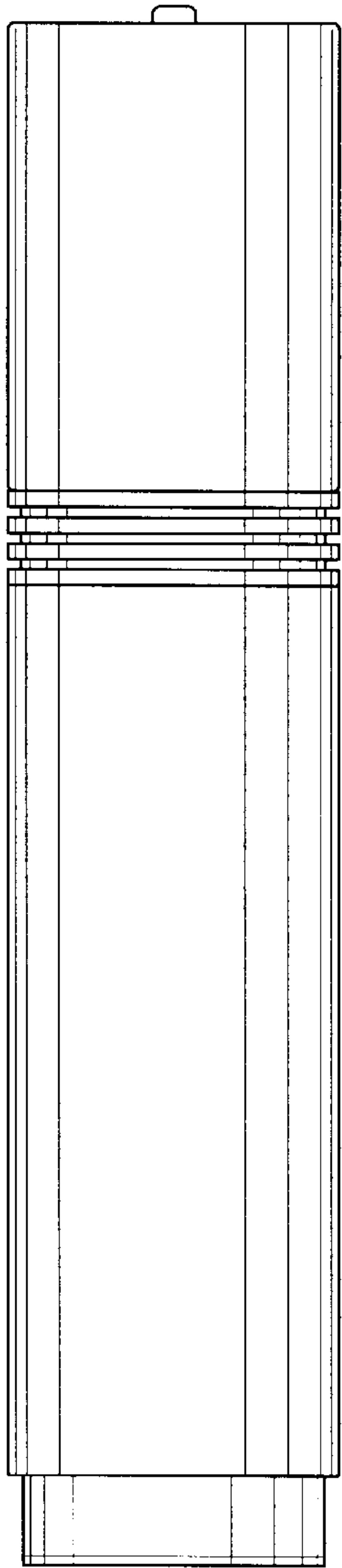
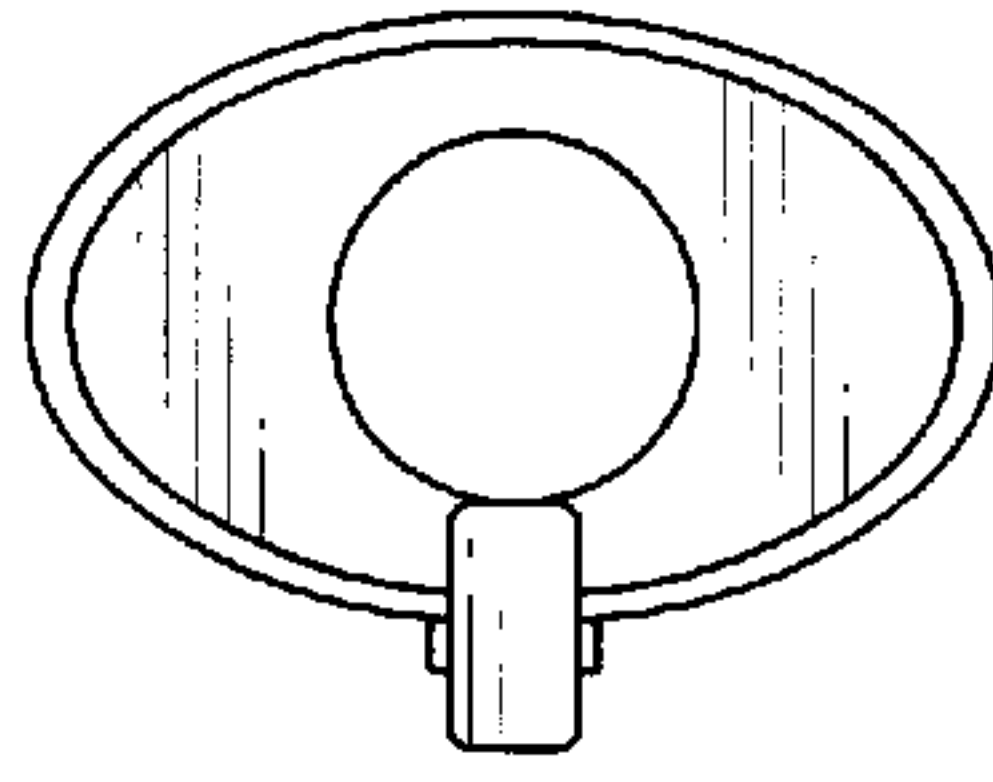


FIG. 13

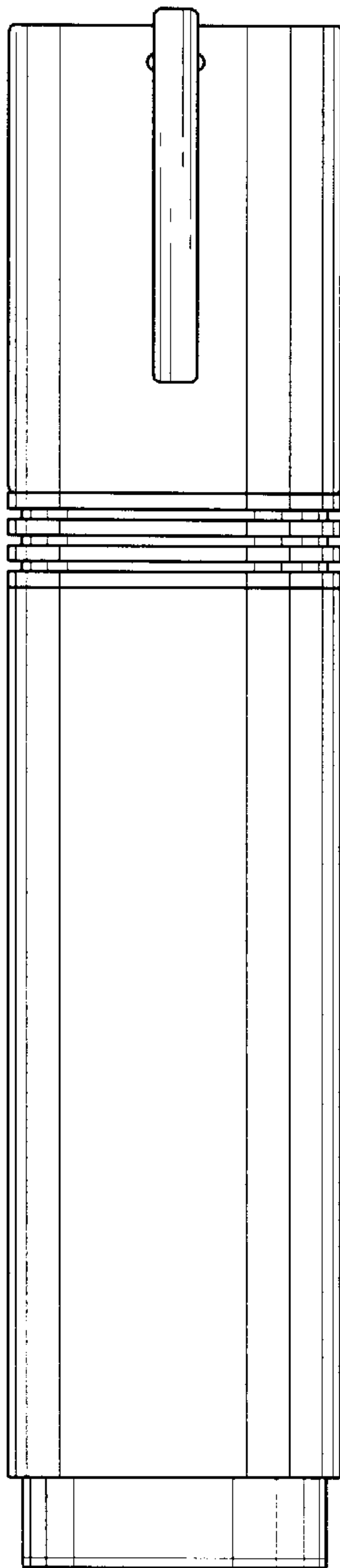


FIG. 10

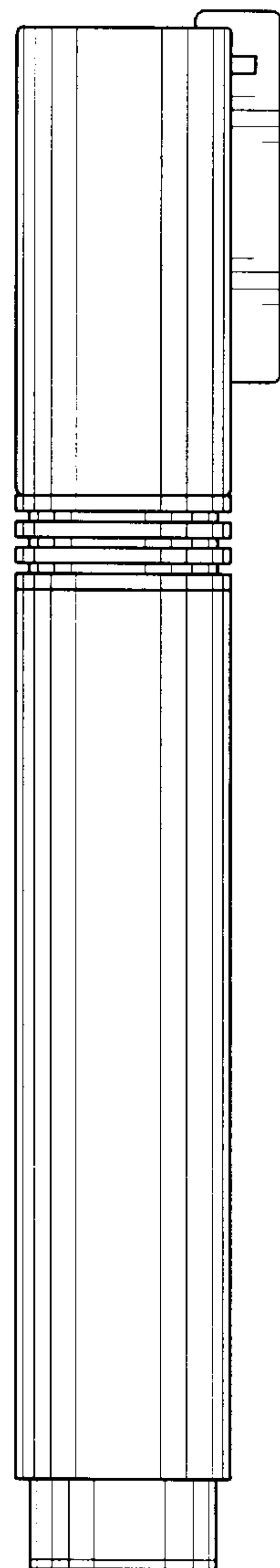


FIG. 11

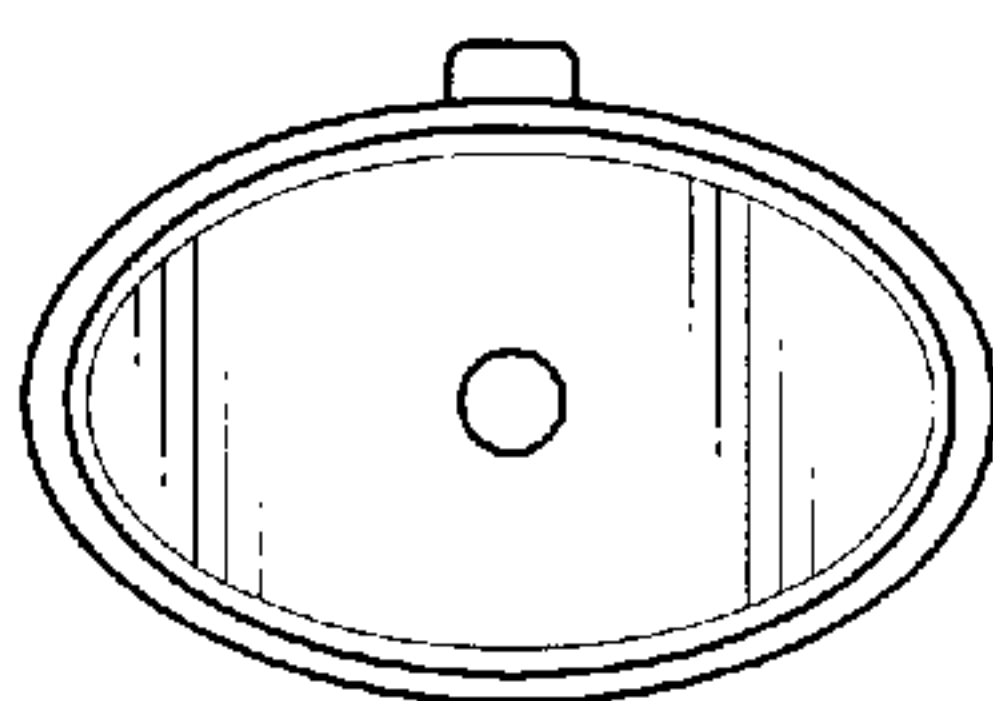


FIG. 12