



US00D487868S

(12) **United States Design Patent**
Richard

(10) **Patent No.:** **US D487,868 S**

(45) **Date of Patent:** **** Mar. 30, 2004**

(54) **TRUSS SHAPED BRACKET FOR GUTTER COVERS**

(75) **Inventor:** **Thomas Roy Richard**, Hickory, NC (US)

(73) **Assignee:** **Gutter Pro USA, LLC**, Hickory, NC (US)

(**) **Term:** **14 Years**

(21) **Appl. No.:** **29/184,015**

(22) **Filed:** **Aug. 15, 2003**

3,550,381 A	12/1970	South	
4,616,450 A	10/1986	Shouse	
4,745,657 A	* 5/1988	Faye	16/226
4,776,544 A	* 10/1988	Williams	52/11
D316,031 S	* 4/1991	Goodman et al.	D8/363
5,271,191 A	12/1993	Vahamaki	
5,398,464 A	3/1995	Jacobs	
5,570,860 A	* 11/1996	Schoenherr	248/48.2
5,640,810 A	6/1997	Pietersen	
D400,781 S	* 11/1998	Wilkening et al.	D8/381
5,845,435 A	* 12/1998	Knudson	52/11
6,151,837 A	11/2000	Ealer, Sr.	
D437,546 S	* 2/2001	McElroy, Jr.	D8/380
6,357,183 B1	* 3/2002	Smith	52/15
6,493,994 B1	* 12/2002	Lucas	52/12

Related U.S. Application Data

(62) Division of application No. 10/253,195, filed on Sep. 24, 2002.

(60) Provisional application No. 60/324,382, filed on Sep. 24, 2001.

(51) **LOC (7) Cl.** **08-05**

(52) **U.S. Cl.** **D8/354**

(58) **Field of Search** D8/349, 354, 355, D8/363, 366, 371, 373, 380, 381, 394; D25/127, 134; 52/11, 12, 13, 14, 15; 210/474; 248/27.1, 48.1, 48.2, 200, 201, 220.21, 228.3, 300, 674; 405/419

References Cited

U.S. PATENT DOCUMENTS

124,382 A	*	3/1872	Perkins	248/48.2
706,333 A	*	8/1902	Meuser	52/12
2,209,741 A		7/1940	Sullivan et al.	
2,271,081 A		1/1942	Layton	

* cited by examiner

Primary Examiner—Robert M. Spear

Assistant Examiner—Elizabeth A. Albert

(74) *Attorney, Agent, or Firm*—Dougherty, Clements & Hofer

(57) **CLAIM**

An ornamental design for a truss shaped bracket for gutter covers, as shown and described.

DESCRIPTION

FIG. 1 is a perspective view of a truss shaped bracket for gutter covers;
FIG. 2 is a top view thereof;
FIG. 3 is a rear view thereof;
FIG. 4 is a profile view thereof;
FIG. 5 is a front view thereof; and,
FIG. 6 is a bottom view thereof.

1 Claim, 1 Drawing Sheet

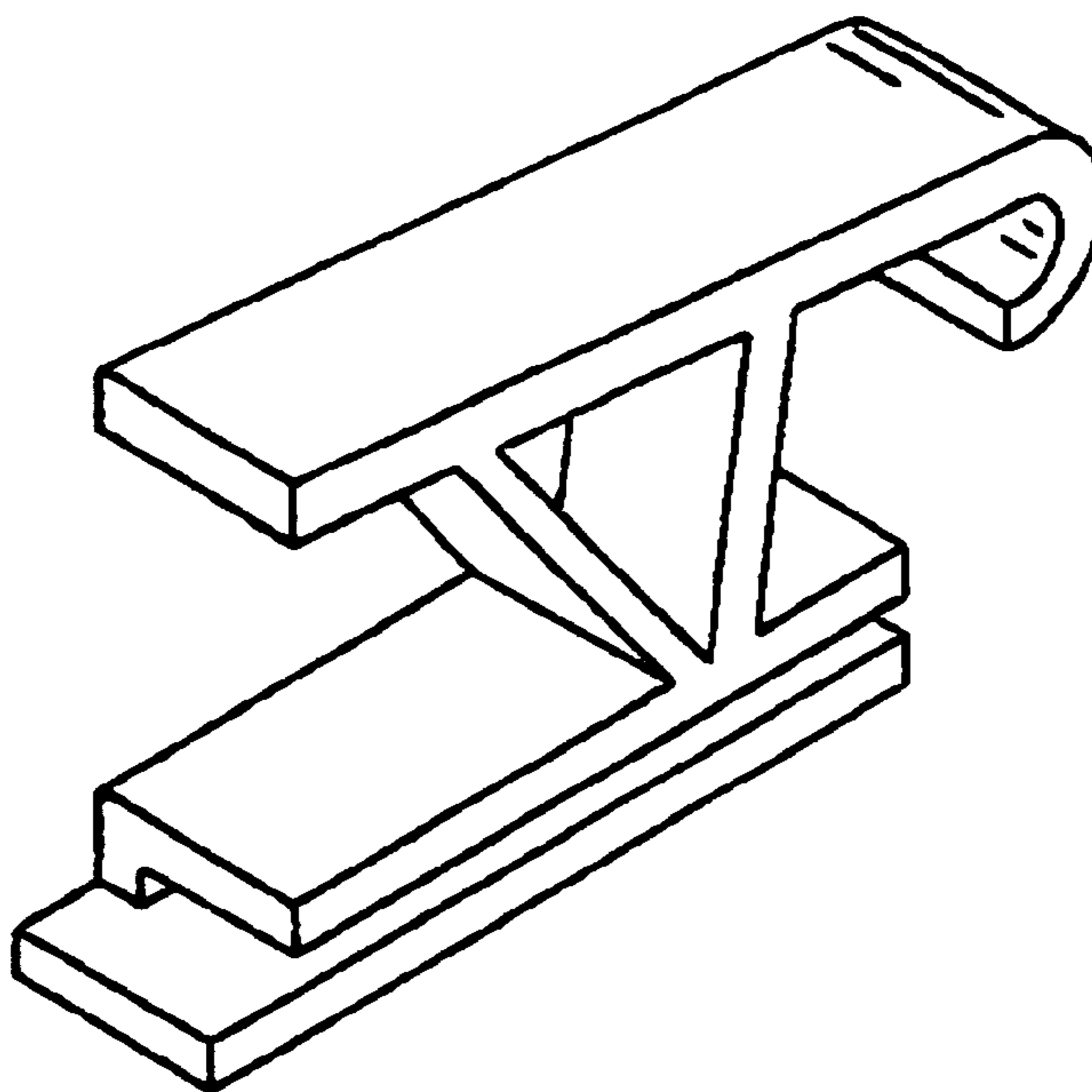


Fig.1

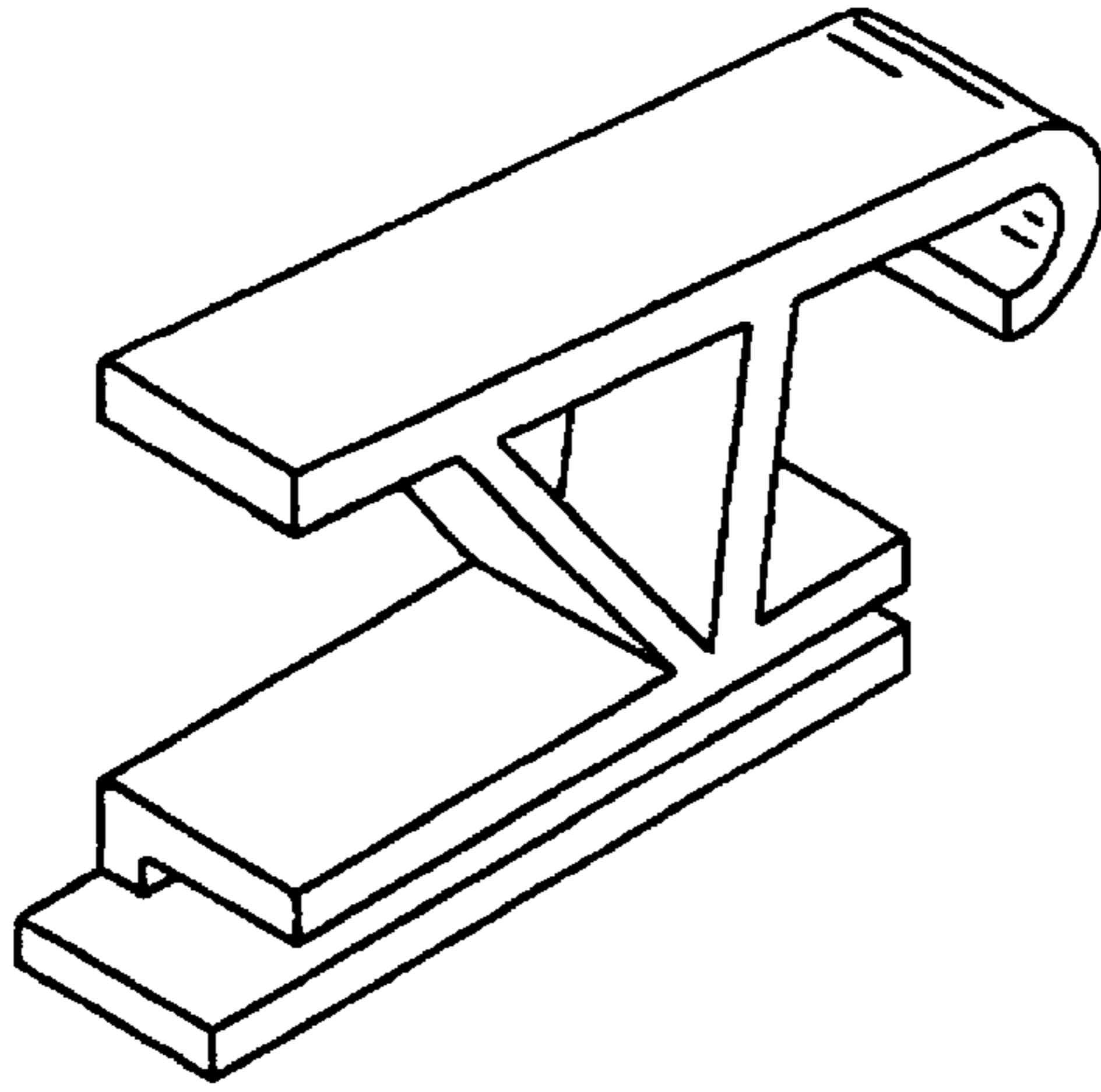


Fig.2



Fig.3



Fig.4

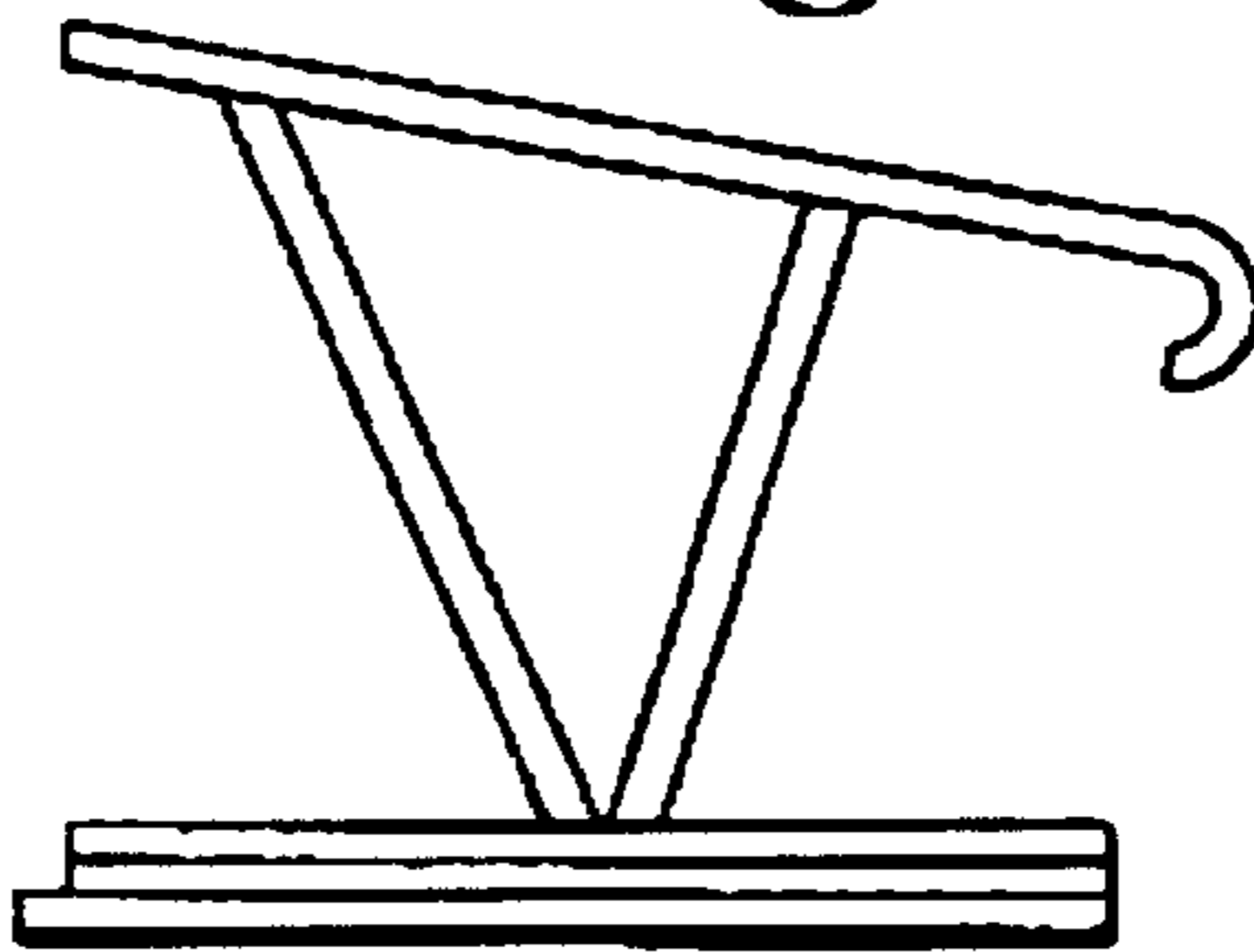


Fig.5



Fig.6

