



US00D487866S

(12) **United States Design Patent**
Vito

(10) **Patent No.:** **US D487,866 S**

(45) **Date of Patent:** **** Mar. 30, 2004**

(54) **LOCK RECEIVING ELEMENT FOR A HASP TYPE CLOSURE**

(76) **Inventor:** **Robert A. Vito**, 1434 Sugartown Rd., Berwyn, PA (US) 19312

(**) **Term:** **14 Years**

(21) **Appl. No.:** **29/165,741**

(22) **Filed:** **Aug. 15, 2002**

(51) **LOC (7) Cl.** **08-07**

(52) **U.S. Cl.** **D8/343**

(58) **Field of Search** D8/343, 344, 345, D8/330, 331; 70/2, 3, 4, 7, 14, 34, 51, 52, 57, 292, 281-287, 221, 92, 340, 341.11, 341.12, 341.13, DIG. 37, DIG. 38

(56) **References Cited**

U.S. PATENT DOCUMENTS

1,764,367	A	6/1930	Szymanski	
2,660,872	A	12/1953	Beach	
2,996,909	A	* 8/1961	Raye	70/57
3,157,040	A	11/1964	Raye	
3,610,668	A	* 10/1971	Tixier	292/341.12
3,834,195	A	9/1974	Winkhaus	
3,901,058	A	8/1975	Best	
3,995,459	A	12/1976	Weeks et al.	
4,026,132	A	5/1977	Best	
4,269,048	A	5/1981	McDorman	
D263,675	S	* 4/1982	Vorves	D8/344
4,331,356	A	* 5/1982	Noel	292/281
4,535,612	A	8/1985	Seremet	
4,566,296	A	1/1986	Kochakis	
4,843,845	A	7/1989	Poe	
4,852,920	A	8/1989	DeForrest, Sr.	
4,879,889	A	* 11/1989	DeForrest, Sr.	292/281
D309,417	S	* 7/1990	Yamada	D8/345
5,172,574	A	12/1992	Perfetto	
5,174,135	A	12/1992	Loughlin	
5,456,506	A	* 10/1995	Bartlett	292/281

D411,731	S	* 6/1999	Finkelstein et al.	D8/345
5,934,111	A	* 8/1999	Hernandez	292/281
6,192,718	B1	* 2/2001	Bollinger, Jr. et al.	70/2
D439,826	S	4/2001	Oddy	
6,338,261	B1	* 1/2002	Liu	70/2

* cited by examiner

Primary Examiner—Prabhakar Deshmukh

(74) *Attorney, Agent, or Firm*—Volpe and Koenig, P.C.

(57) **CLAIM**

I claim the ornamental design for a lock receiving element for a hasp type closure, as shown and described.

DESCRIPTION

FIG. 1 is a perspective view of a lock receiving element for a hasp type closure of my new design;
 FIG. 2 is a second perspective view of the lock receiving element for a hasp type closure of FIG. 1;
 FIG. 3 is a front elevational view of the lock receiving element for a hasp type closure of FIG. 1;
 FIG. 4 is a top plan view of the lock receiving element for a hasp type closure of FIG. 1;
 FIG. 5 is a bottom plan view of the lock receiving element for a hasp type closure of FIG. 1;
 FIG. 6 is a left side elevational view of the lock receiving element for a hasp type closure of FIG. 1;
 FIG. 7 is a right side elevational view of the lock receiving element for a hasp type closure of FIG. 1; and,
 FIG. 8 is a rear elevational view of the lock receiving element for a hasp type closure of FIG. 1, the rear elevational view does not form any part of the claimed invention. The dashed lines in FIGS. 1-8 represent environment and are for illustrative purposes only and do not constitute part of the claimed design. The phantom lines in FIGS. 1-8 define the border between claimed and unclaimed matter. The rear view shown in FIG. 8 are not claimed.

1 Claim, 3 Drawing Sheets

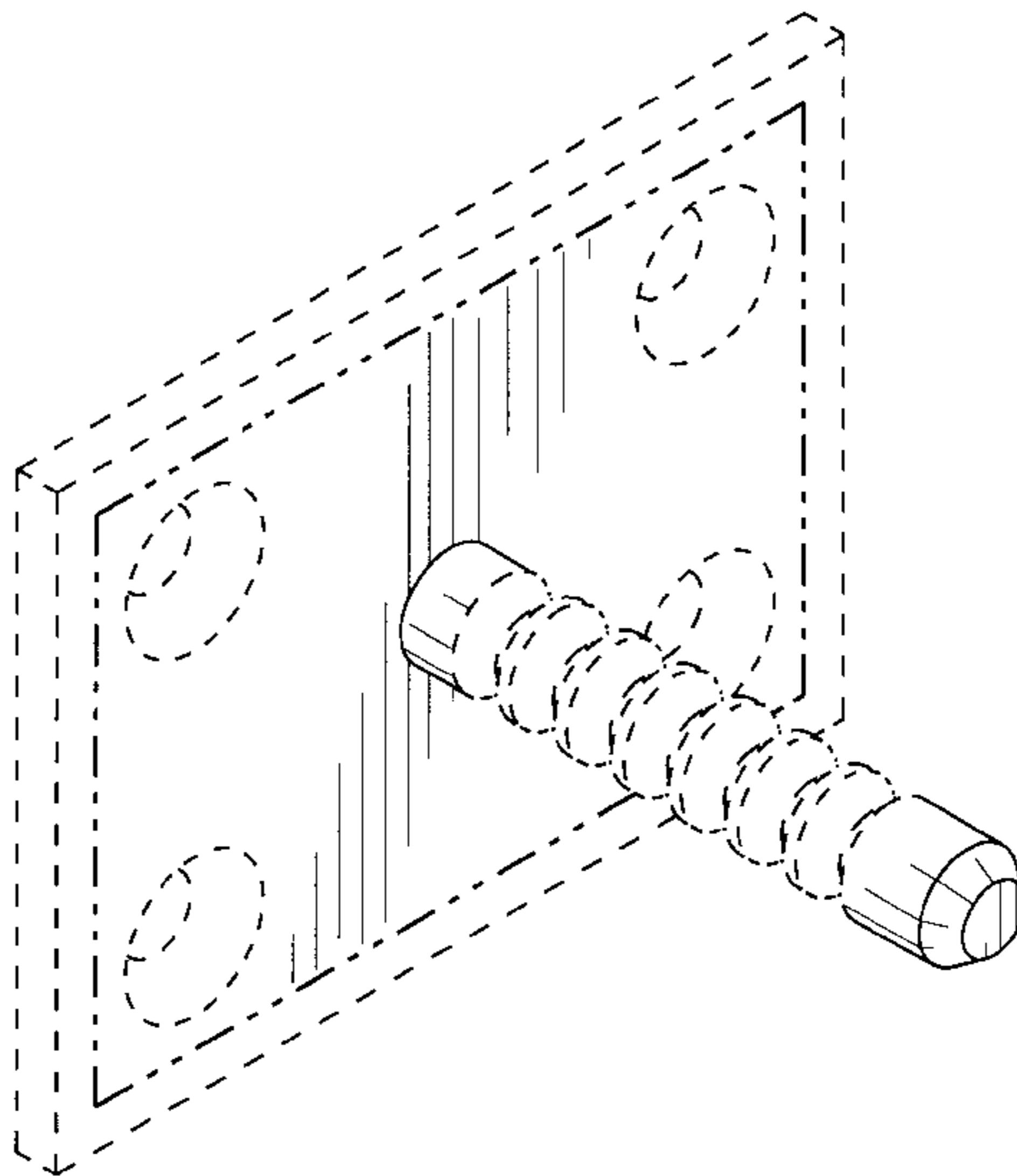


FIG. 1

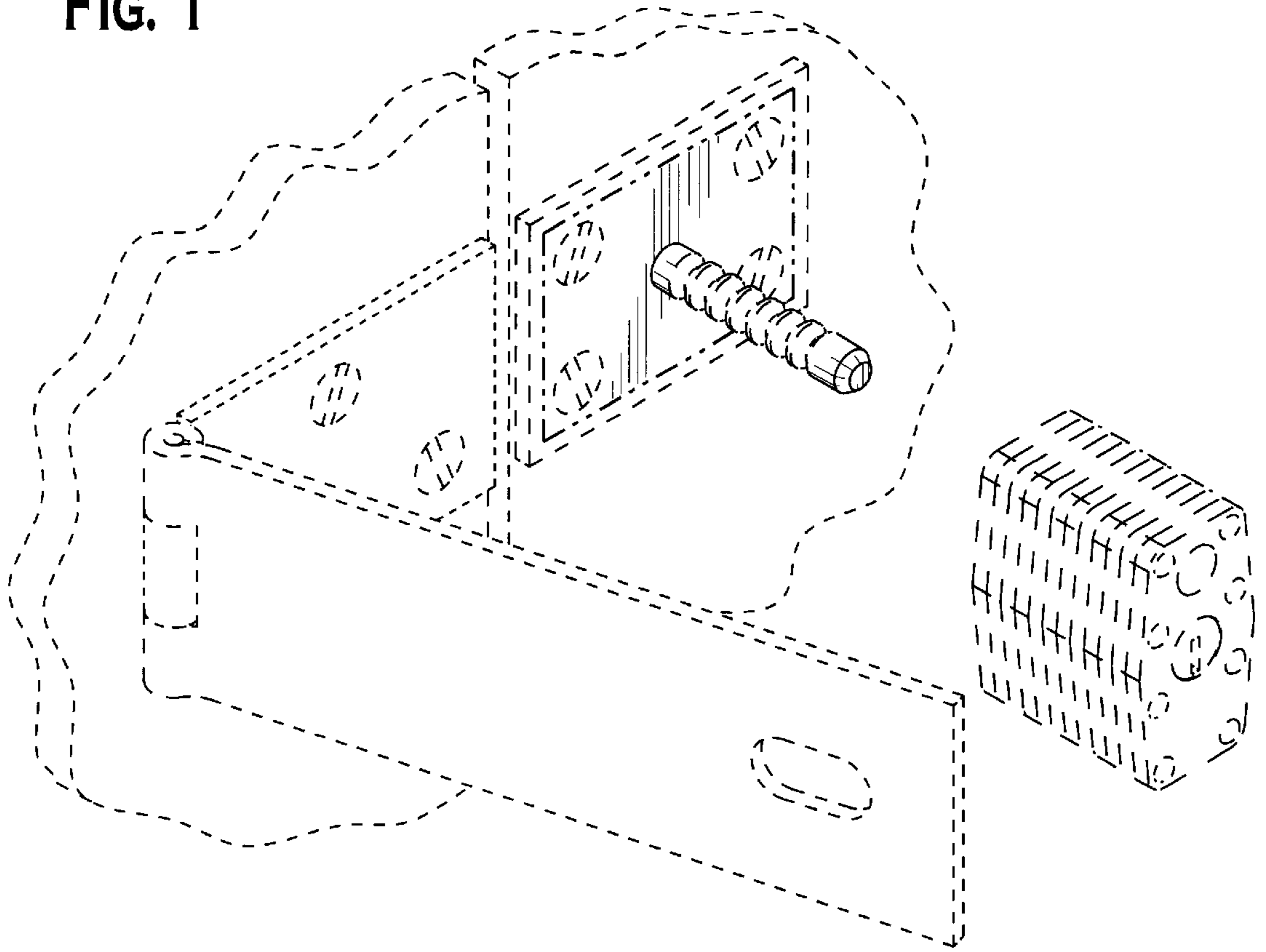


FIG. 2

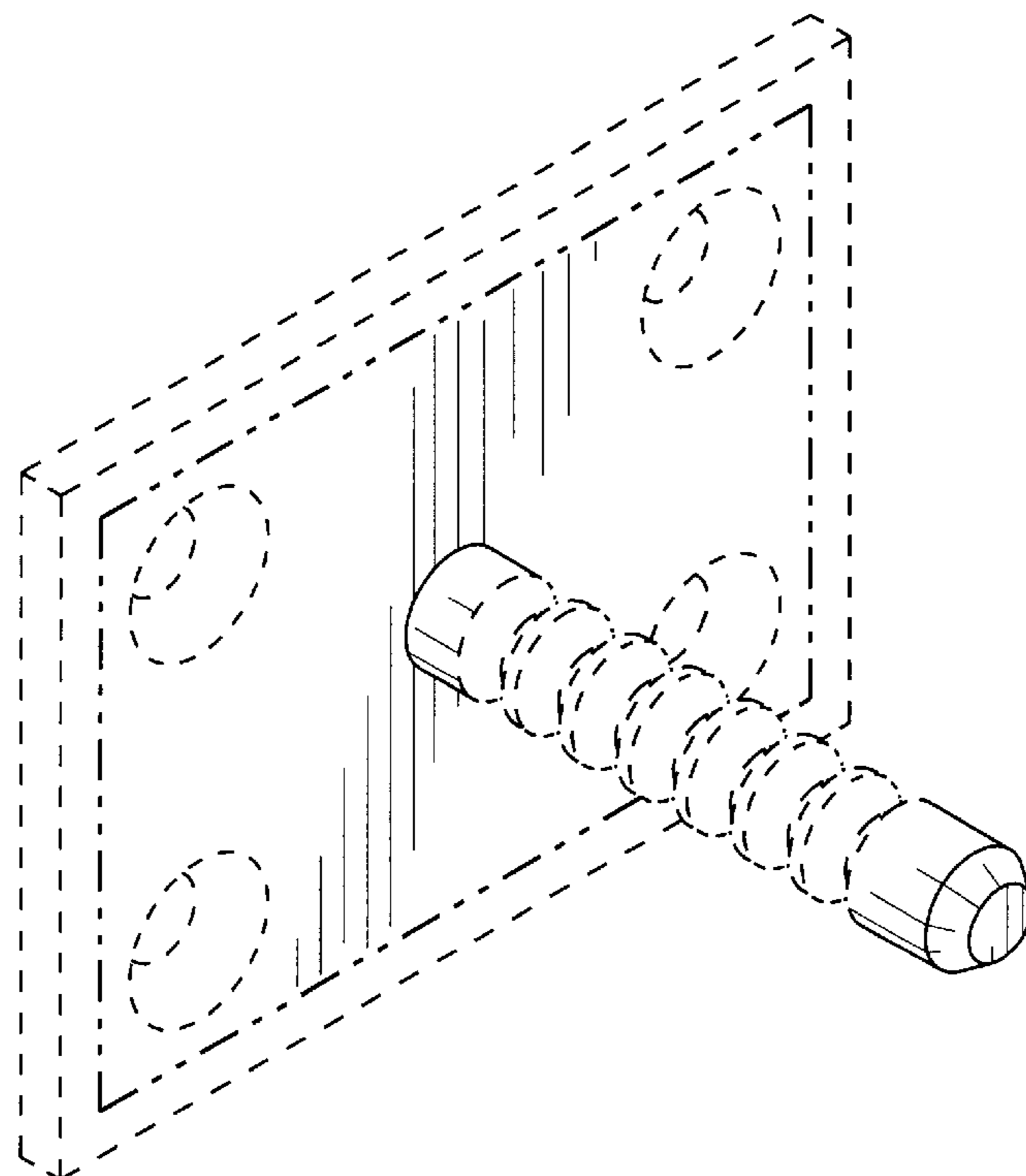


FIG. 3

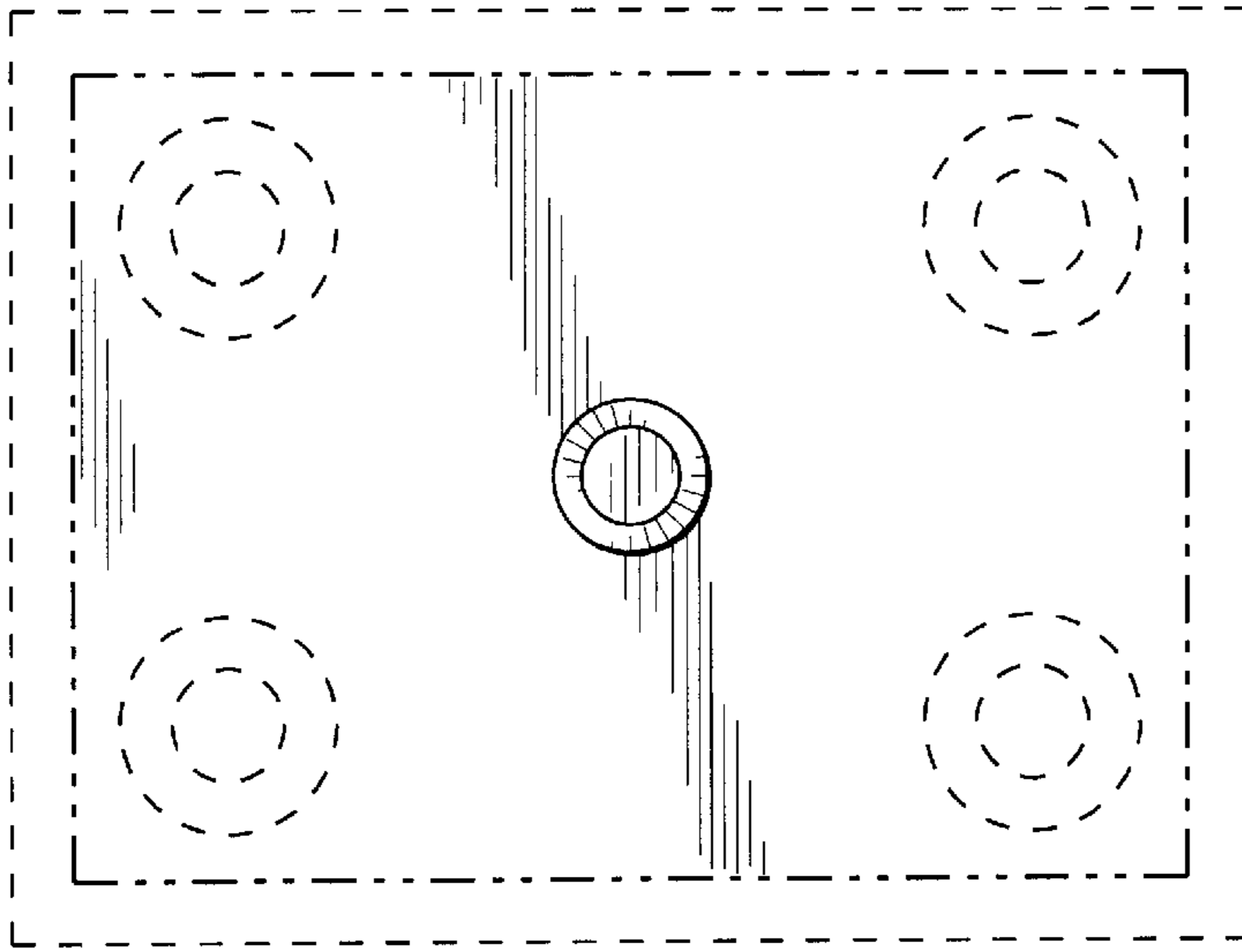


FIG. 4

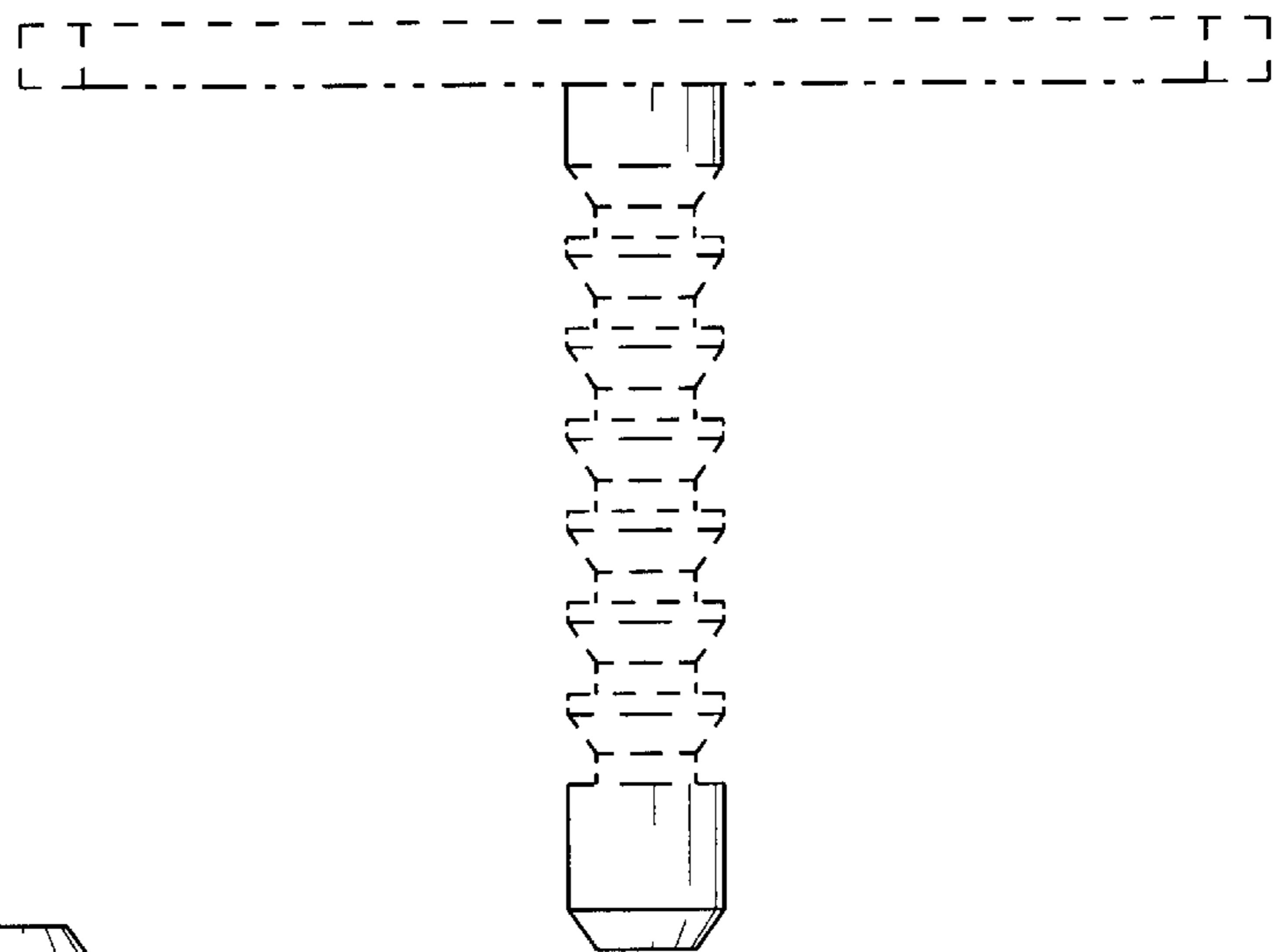


FIG. 5

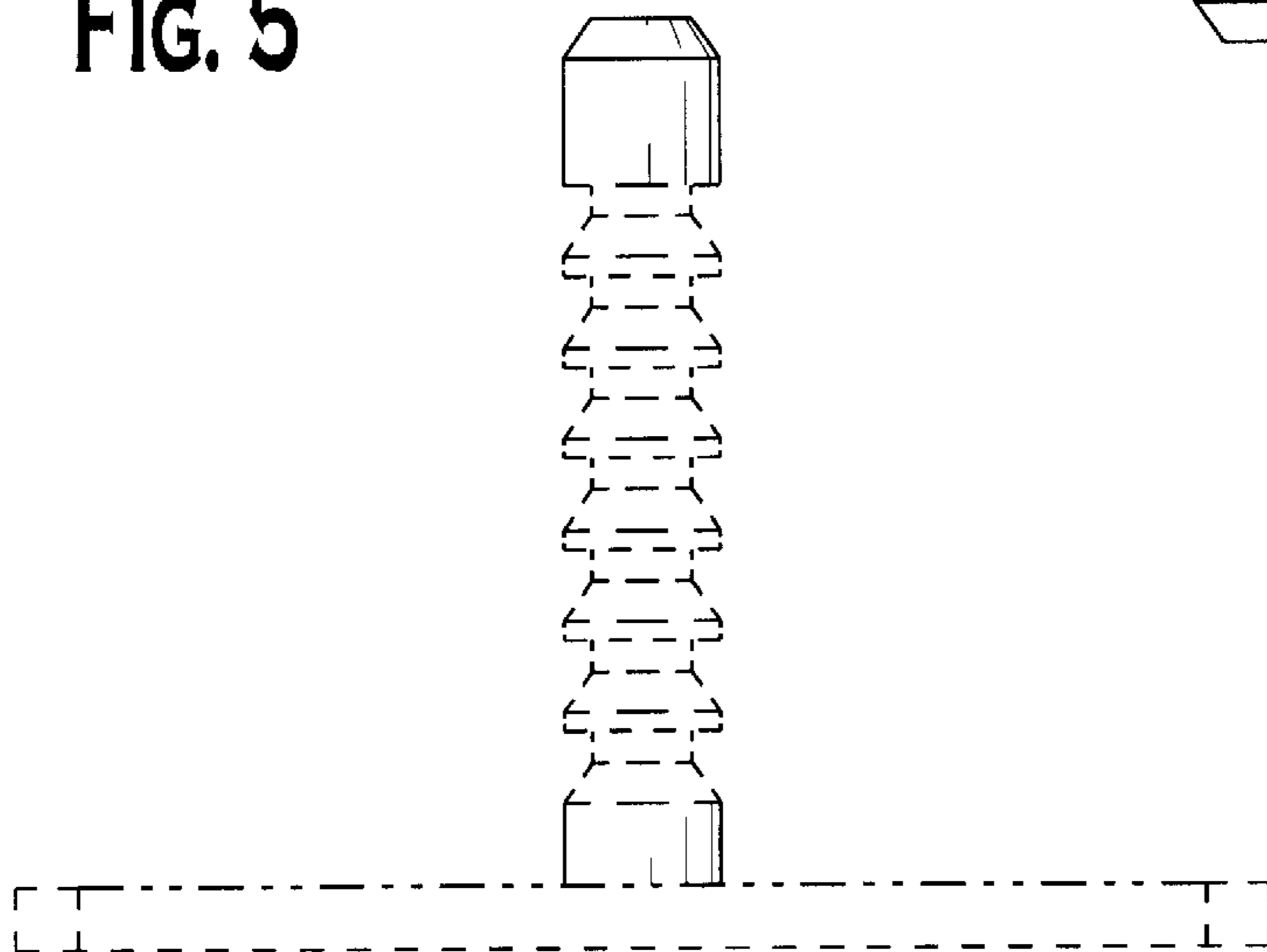


FIG. 6

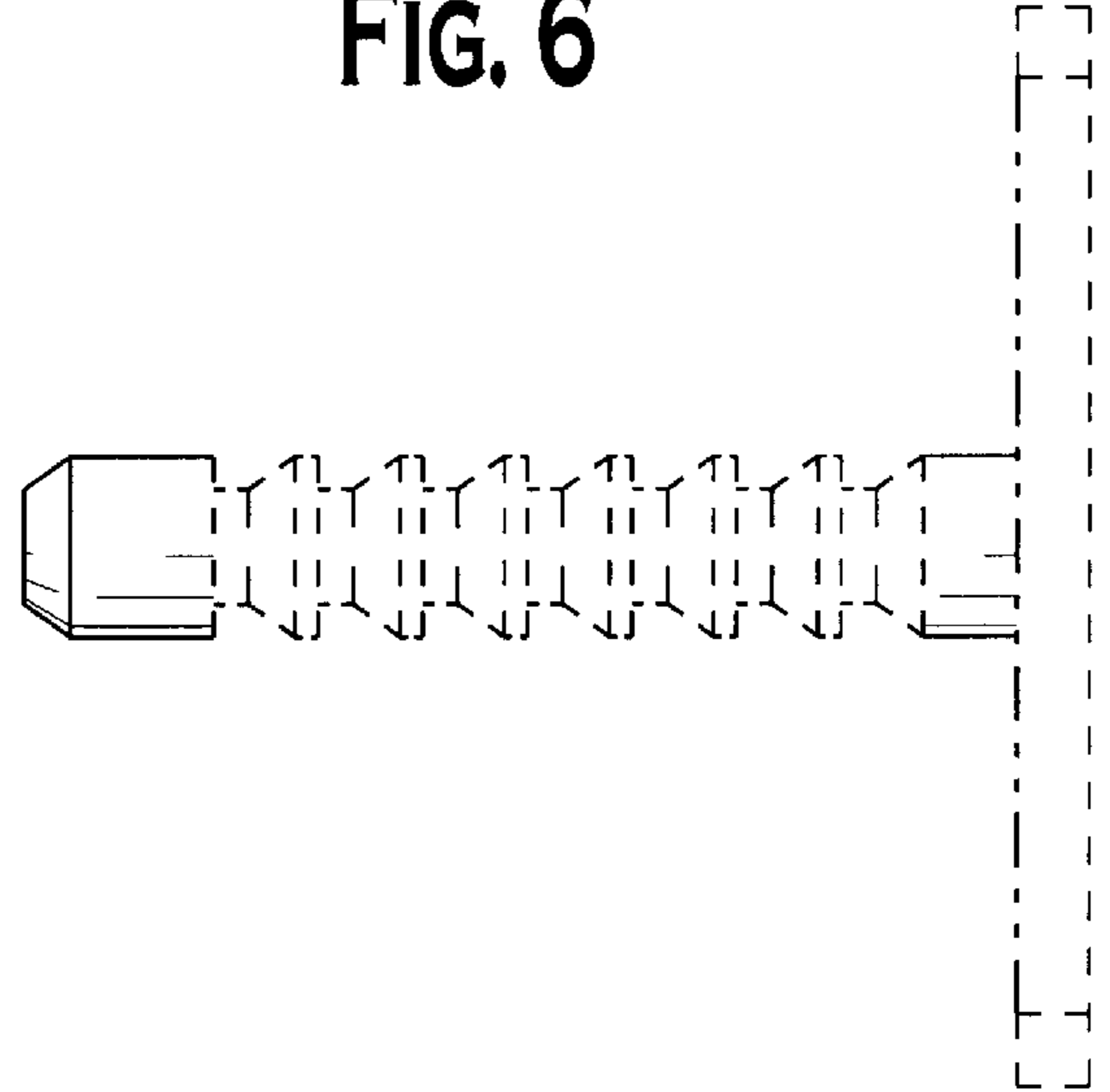


FIG. 7

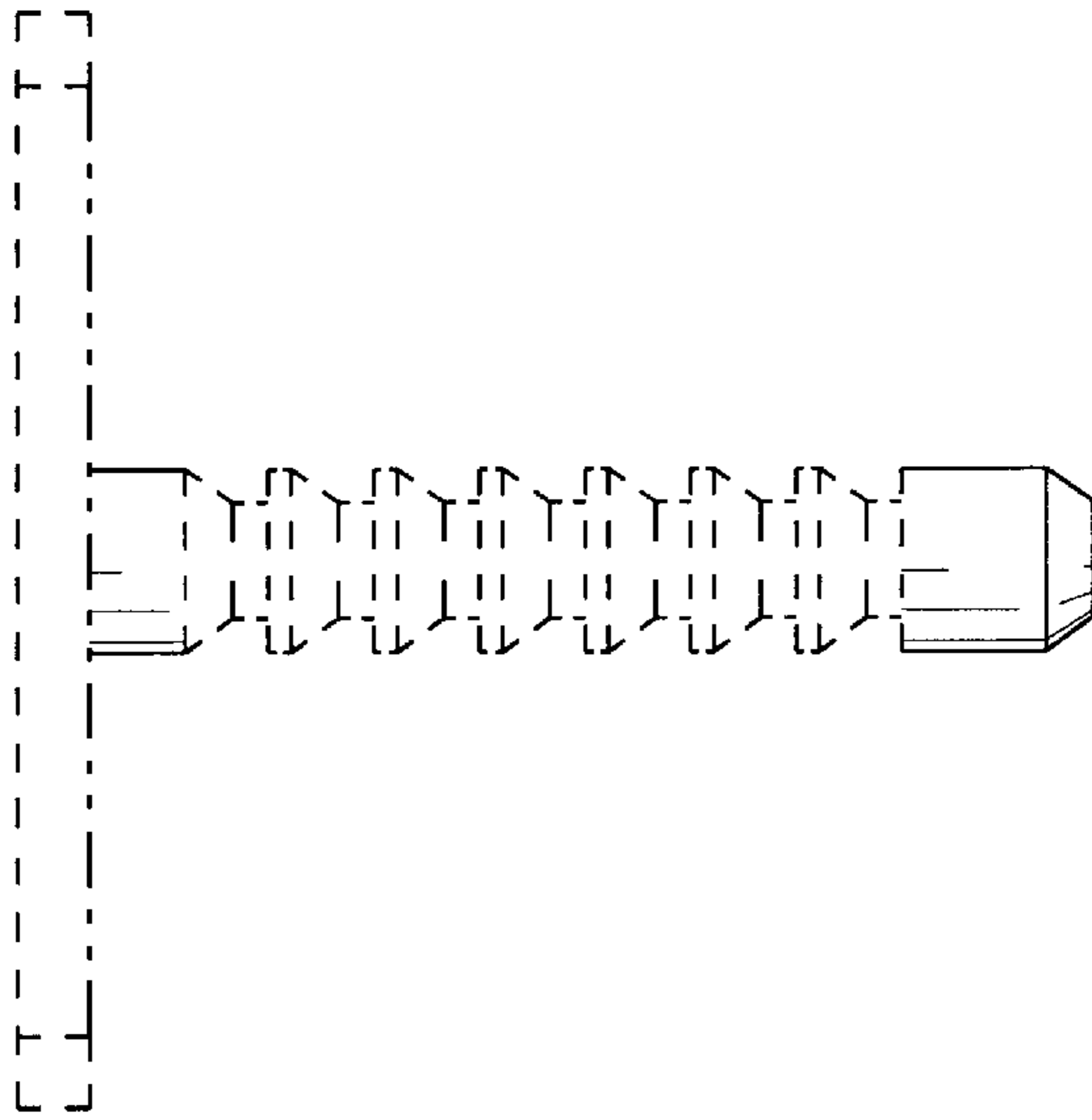


FIG. 8

