



US00D487863S

(12) **United States Design Patent**
Bitonto et al.

(10) **Patent No.:** **US D487,863 S**

(45) **Date of Patent:** **** Mar. 30, 2004**

(54) **ICE CREAM SCOOP**

D391,811 S * 3/1998 Molo D7/681
6,313,451 B1 * 11/2001 Vidmar et al. 219/757

(75) Inventors: **Anthony Di Bitonto**, Brooklyn, NY (US); **Willy Loor**, Brooklyn, NY (US); **Kevin Lozeau**, Ridge, NY (US); **Mark Muenchigger**, Brooklyn, NY (US); **Jeff Brunner**, Brooklyn, NY (US)

* cited by examiner

Primary Examiner—Terry A. Wallace
(74) *Attorney, Agent, or Firm*—Seyfarth Shaw LLP

(73) Assignee: **World Kitchen (GHC), LLC**, Reston, VA (US)

(57) **CLAIM**

(**) Term: **14 Years**

The ornamental design for the ice cream scoop, as shown and described.

(21) Appl. No.: **29/180,974**

DESCRIPTION

(22) Filed: **May 2, 2003**

FIG. 1 is a perspective view of the ice cream scoop showing our new design;

(51) **LOC (7) Cl.** **07-99**

FIG. 2 is a top plan view;

(52) **U.S. Cl.** **D7/681**

FIG. 3 is a bottom plan view;

(58) **Field of Search** D7/681-696, 646;
30/324-328; 425/276-279, 299, 283, 286;
294/55

FIG. 4 is a side view of one side, the other side being substantially identical;

FIG. 5 is a rear end view thereof; and,

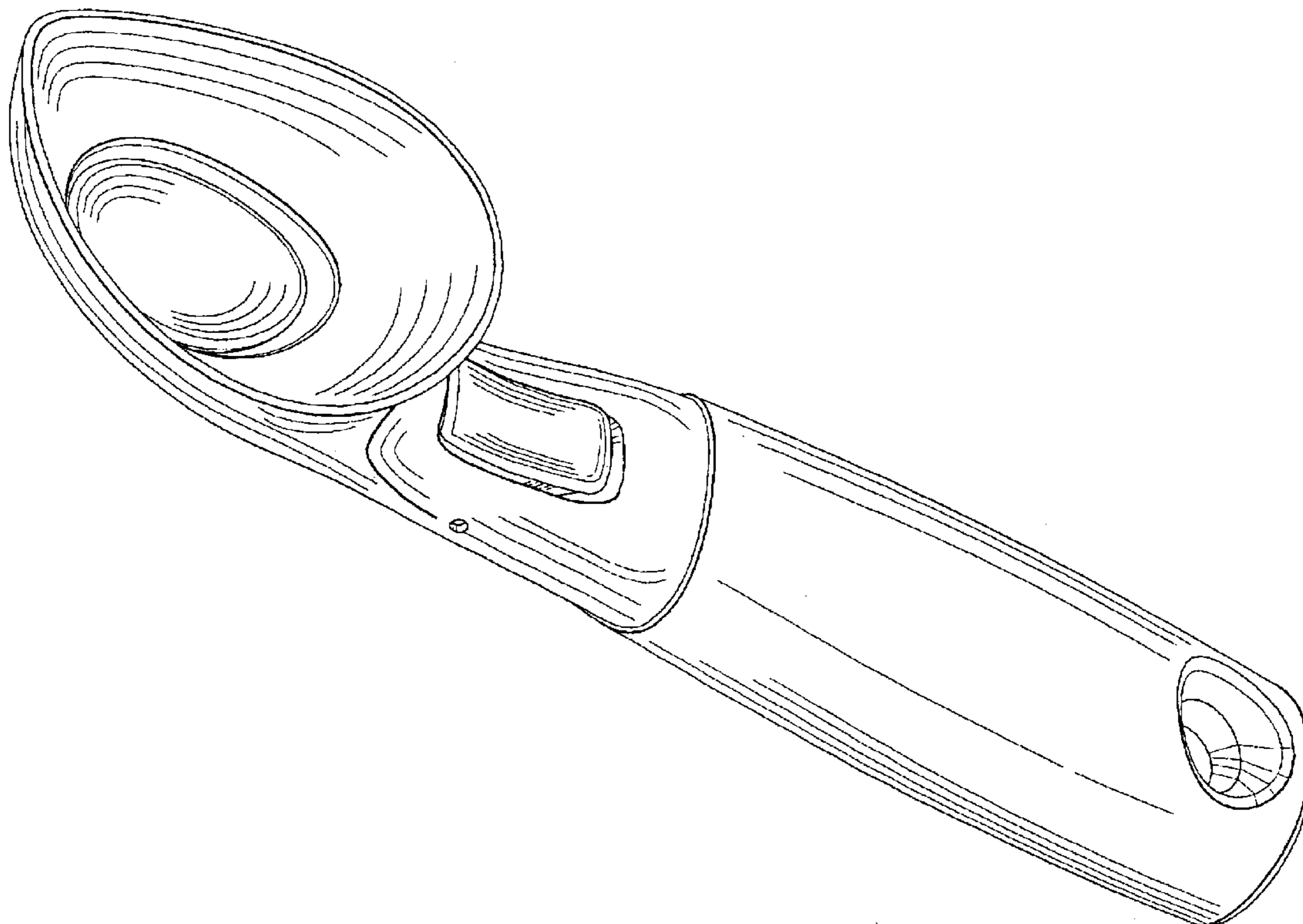
FIG. 6 is a front elevational view thereof.

(56) **References Cited**

U.S. PATENT DOCUMENTS

D329,784 S * 9/1992 Wong D7/681

1 Claim, 3 Drawing Sheets



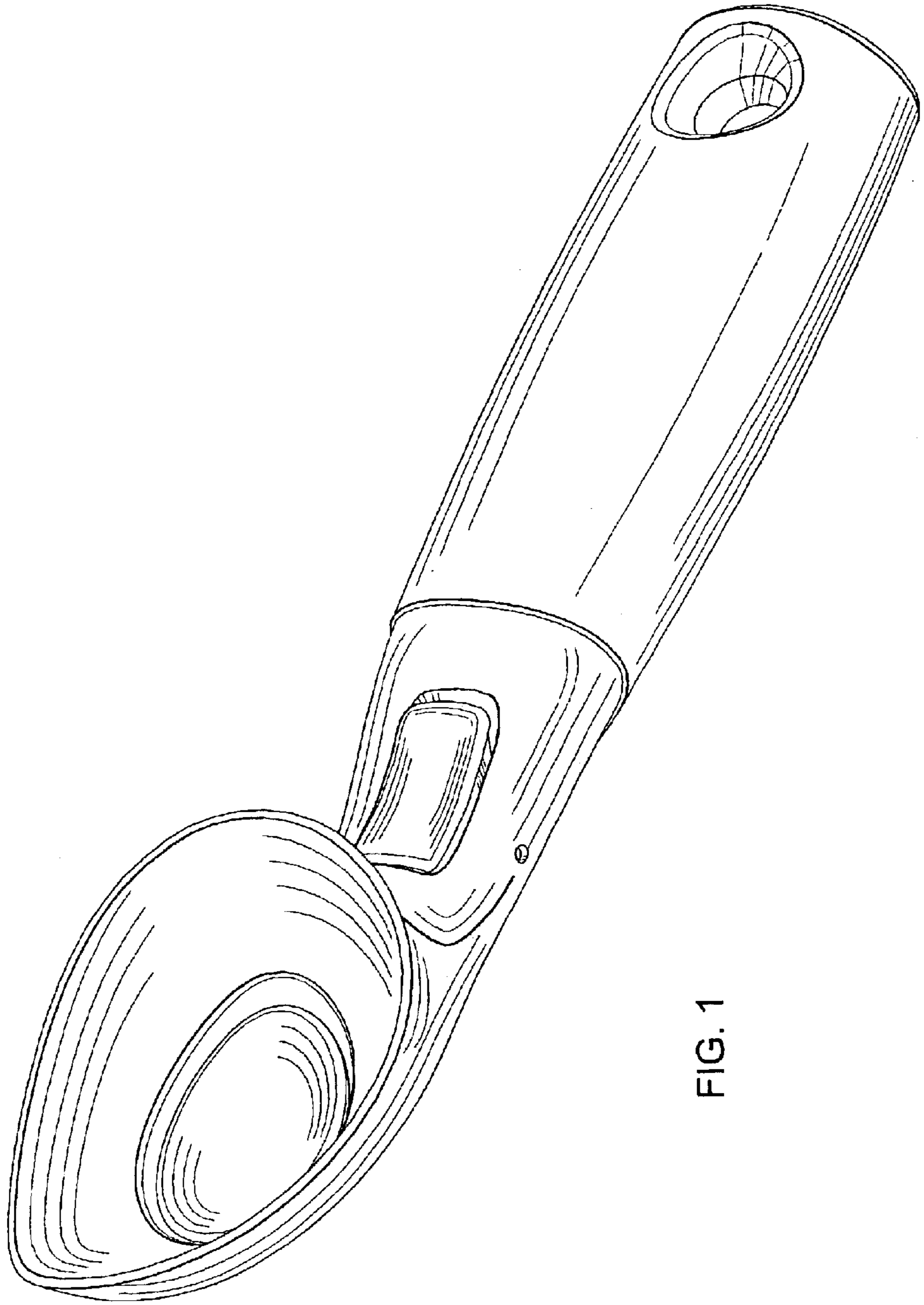


FIG. 1

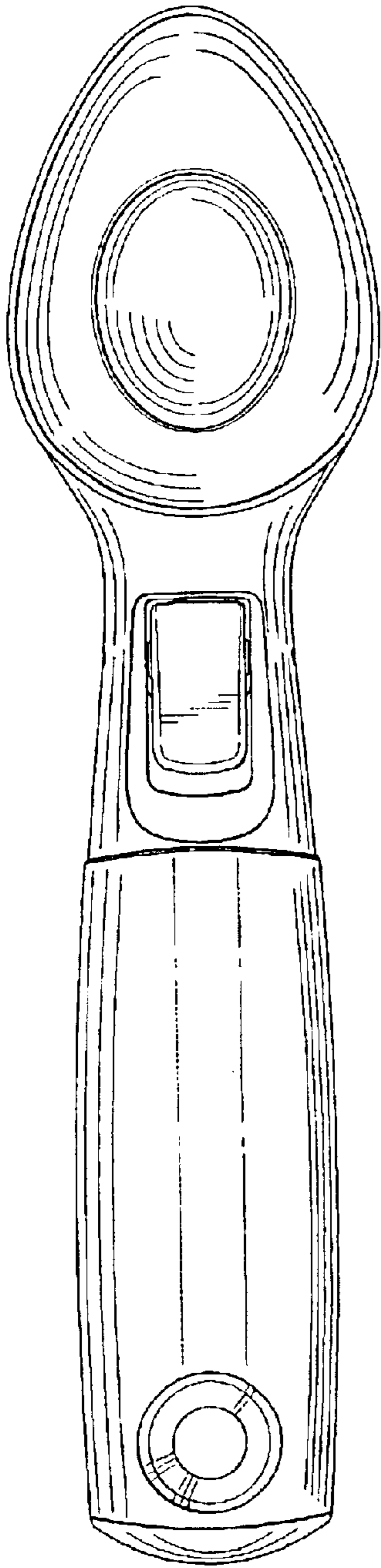


FIG. 2

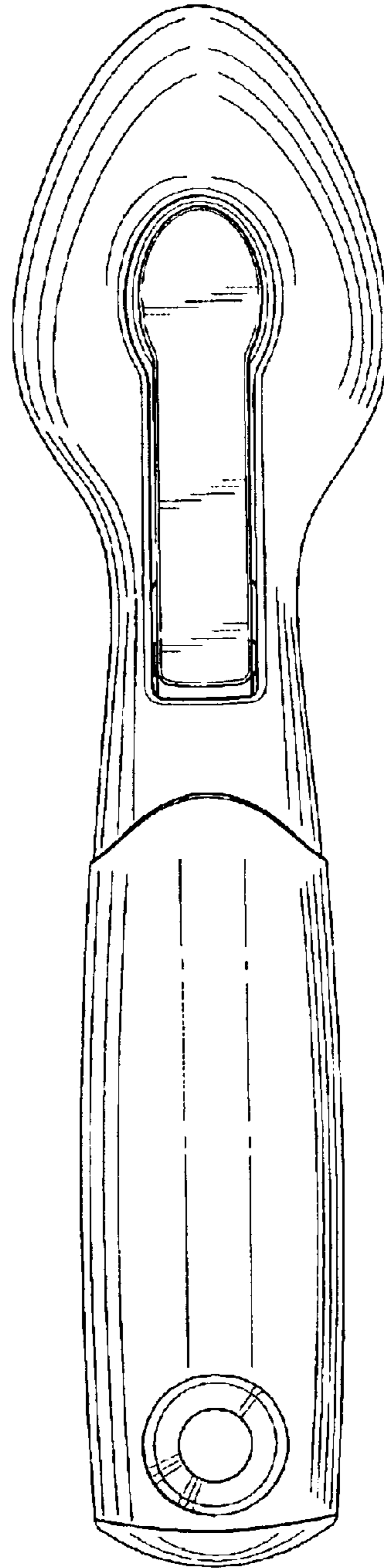


FIG. 3

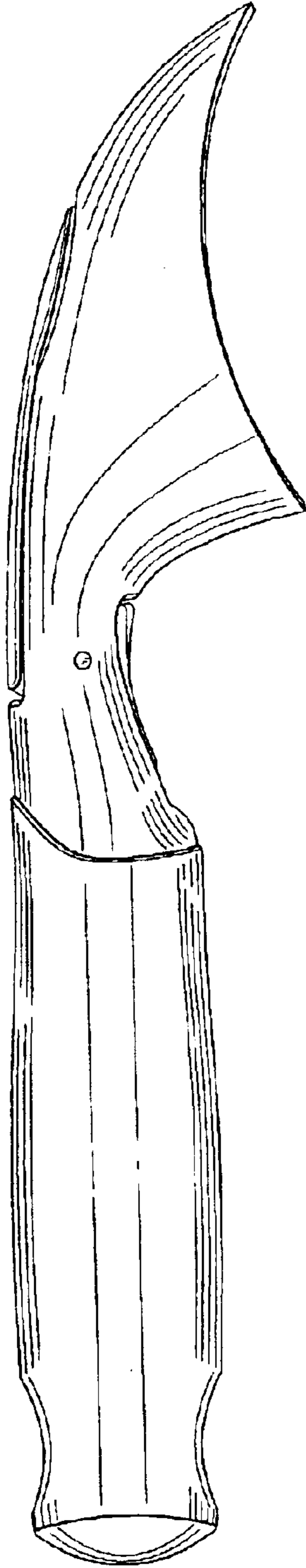


FIG. 4

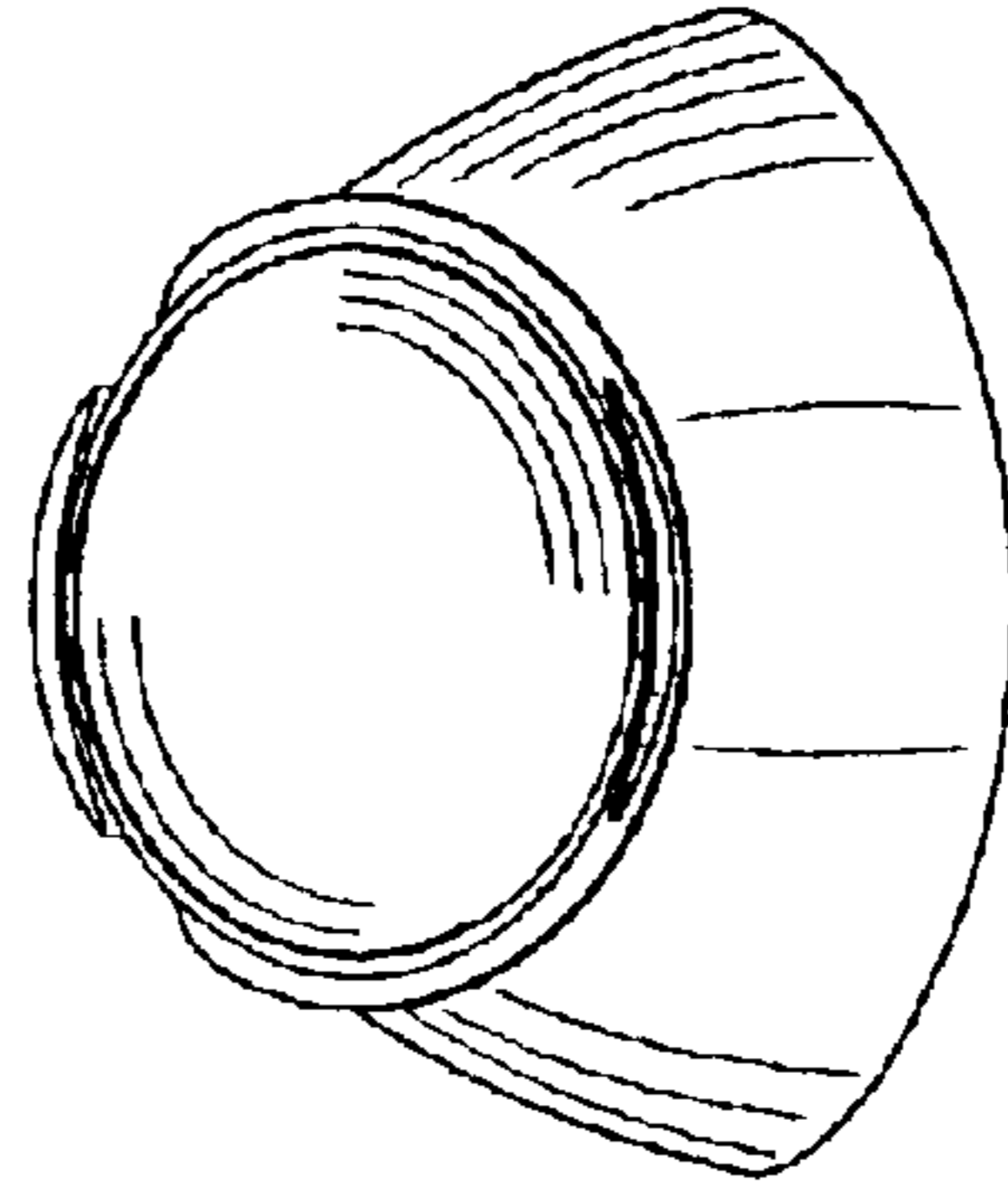


FIG. 6

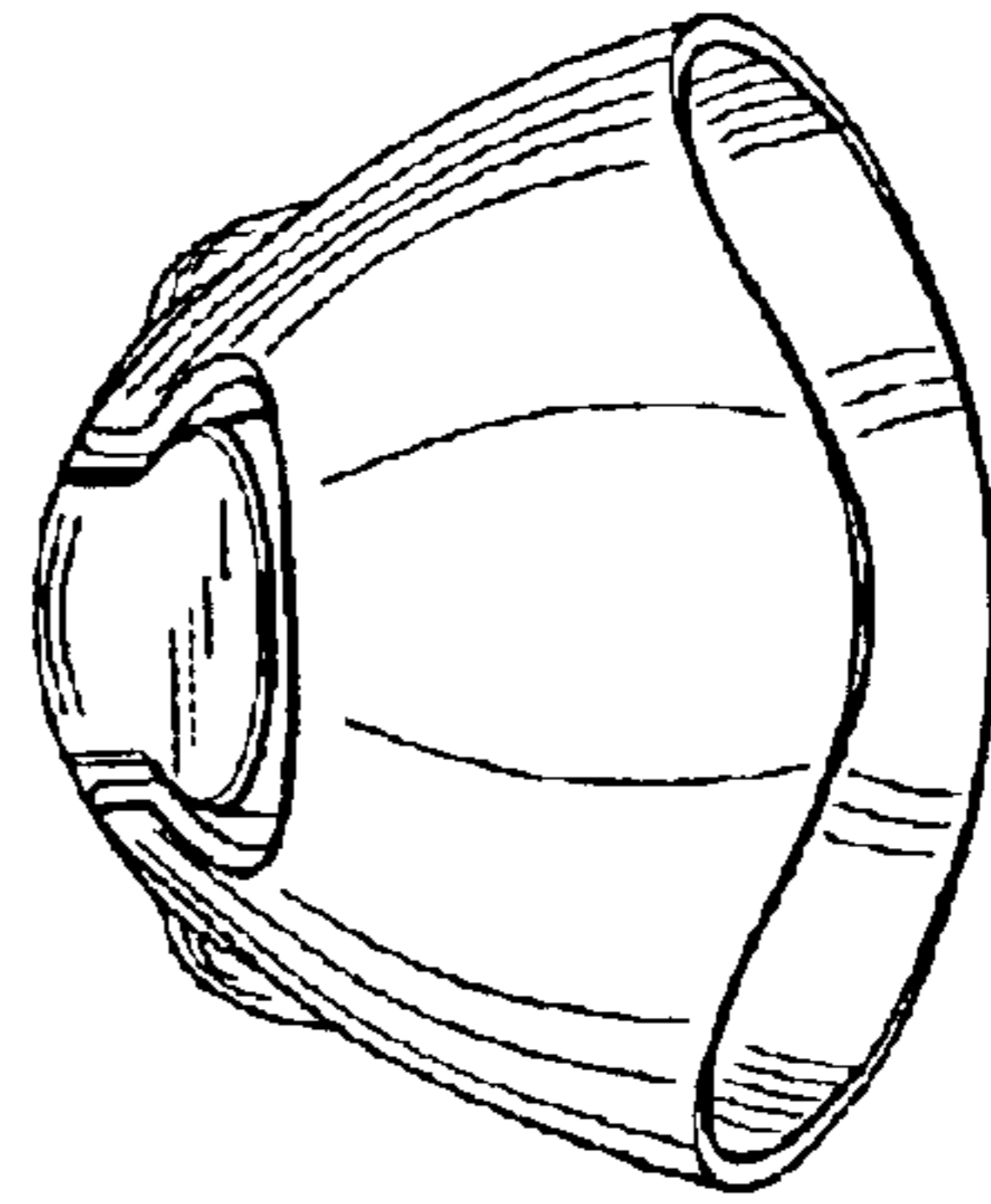


FIG. 5