



US00D487858S

(12) **United States Design Patent**
Richardson

(10) **Patent No.:** **US D487,858 S**

(45) **Date of Patent:** **** Mar. 30, 2004**

(54) **TOILET PAPER COVER**

(76) **Inventor:** **Jon Michelle Richardson**, 100 Forest Pl., Unit P5, Oak Park, IL (US) 60301

(**) **Term:** **14 Years**

(21) **Appl. No.:** **29/152,623**

(22) **Filed:** **Dec. 28, 2001**

(51) **LOC (7) Cl.** **23-02**

(52) **U.S. Cl.** **D6/523**

(58) **Field of Search** D6/518-523; 206/389, 206/398; 242/550, 598.6, 598.5, 609.5; 312/34.8; 211/85.5

(56) **References Cited**

U.S. PATENT DOCUMENTS

- 2,422,749 A * 6/1947 Rougas 242/598.6 X
- 3,760,976 A * 9/1973 Andracchio 242/560 X
- D249,604 S * 9/1978 Woo D6/523
- 4,285,474 A * 8/1981 Perez 242/598.5 X
- D267,760 S * 2/1983 Vrignaud D6/523

- 4,427,159 A * 1/1984 Miller et al. 242/560
- D292,859 S * 11/1987 Neumann D6/523 X
- 5,170,958 A * 12/1992 Brown 242/598.6 X
- D393,770 S * 4/1998 Daly D6/523

* cited by examiner

Primary Examiner—Brian N. Vinson

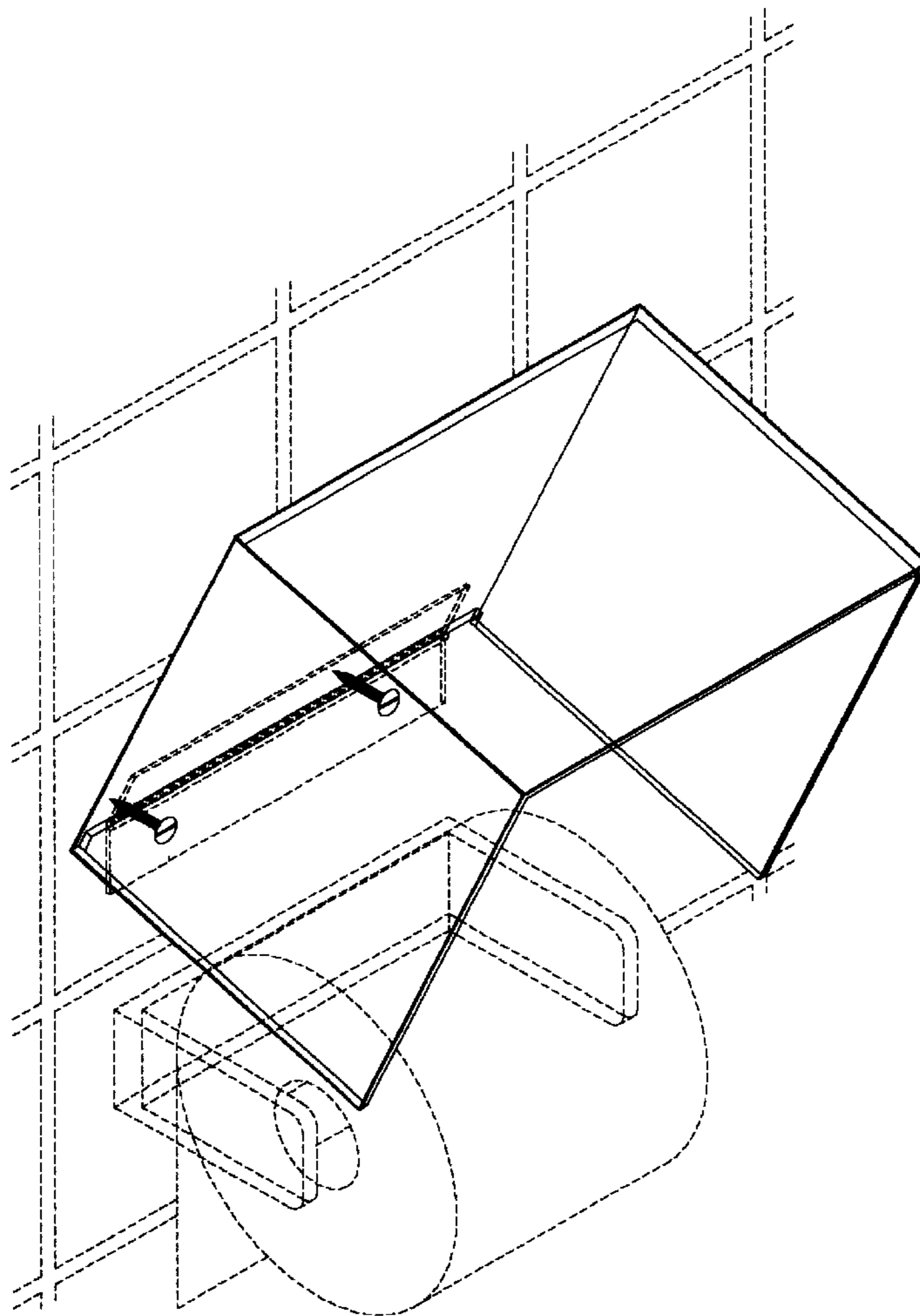
(57) **CLAIM**

The ornamental design for a toilet paper cover, as shown and described.

DESCRIPTION

FIG. 1 is a top, front, and left side perspective view of a toilet paper cover showing my new design;
 FIG. 2 is a top plan view thereof;
 FIG. 3 is a front elevational view thereof; and,
 FIG. 4 is a left side elevational view thereof, the right side being a mirror image of that shown.
 The broken-line disclosure of portions of a wall and toilet paper holder in the views is for illustrative purposes only and forms no part of the claimed design.

1 Claim, 1 Drawing Sheet



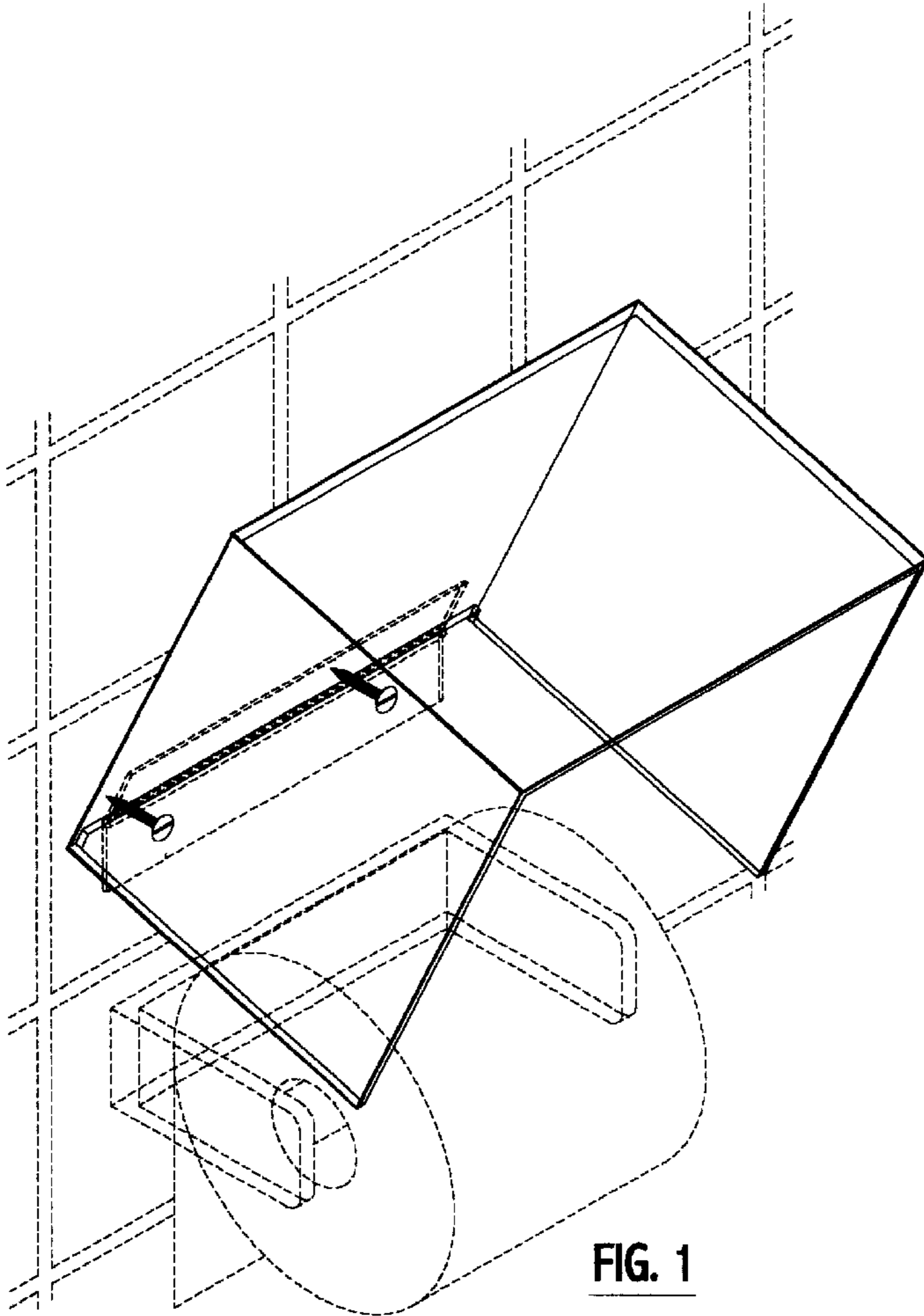


FIG. 1

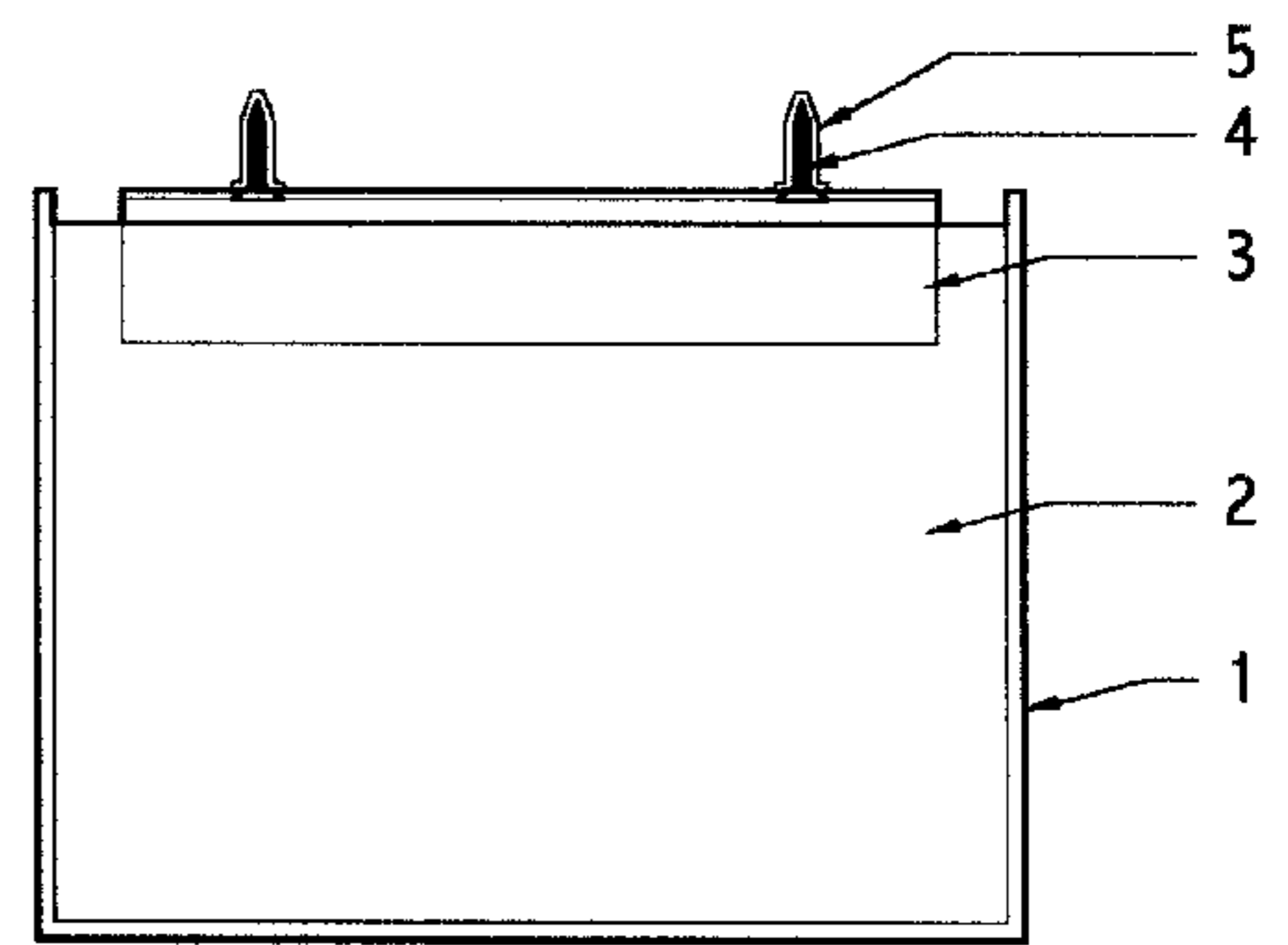


FIG. 2

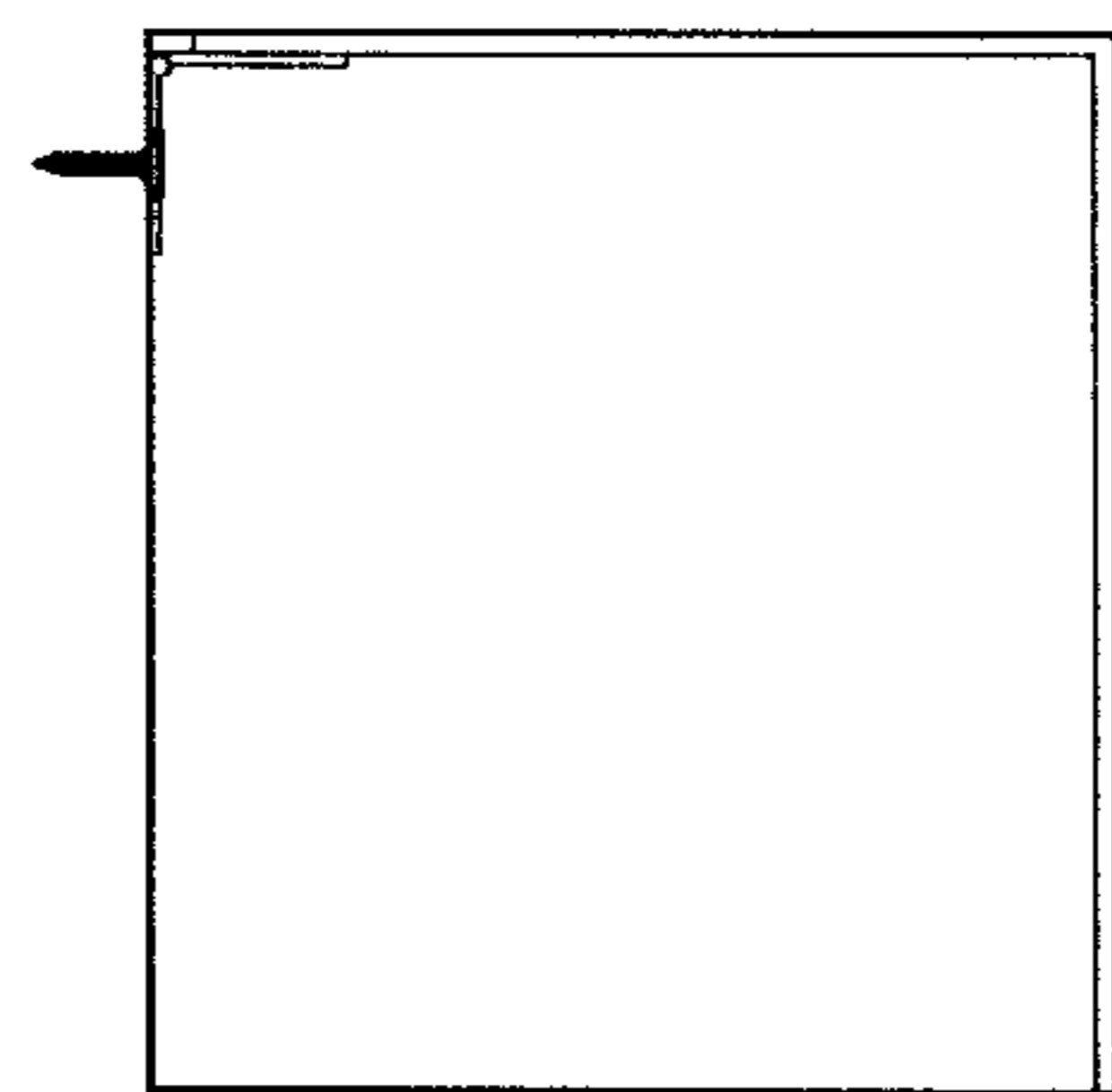


FIG. 4

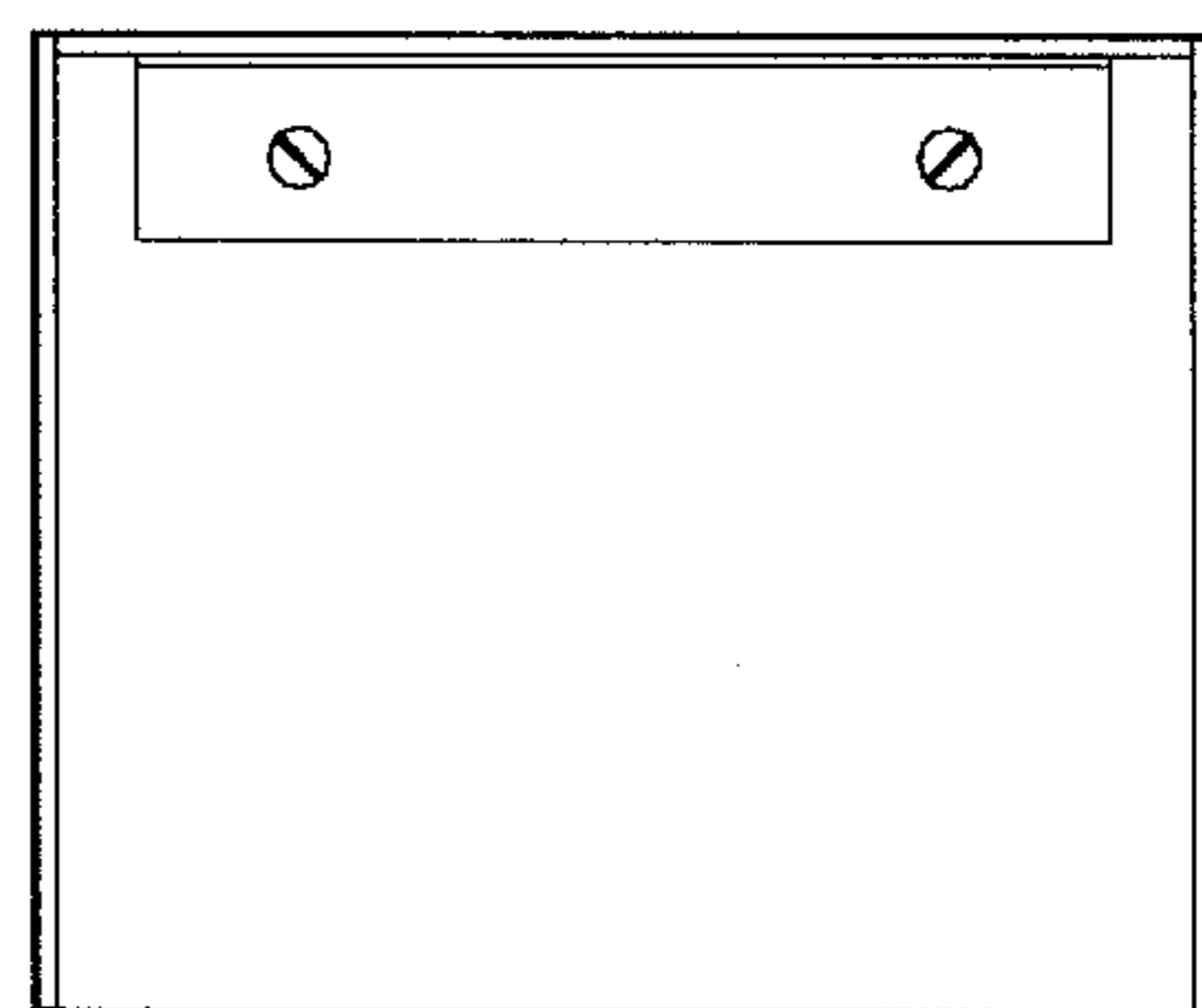


FIG. 3