



US00D487856S

(12) **United States Design Patent**
Kalinowski et al.

(10) **Patent No.:** **US D487,856 S**

(45) **Date of Patent:** **** Mar. 30, 2004**

(54) **SEAT BACK MEAL TRAY**

(75) Inventors: **Michael W. Kalinowski**, Clemmons, NC (US); **John H. Pratt**, Bethlehem, CT (US)

(73) Assignee: **B E Aerospace, Inc.**, Wellington, FL (US)

(**) Term: **14 Years**

(21) Appl. No.: **29/182,140**

(22) Filed: **May 20, 2003**

(51) **LOC (7) Cl.** **06-06**

(52) **U.S. Cl.** **D6/500; D6/356**

(58) **Field of Search** D6/334, 335, 336, D6/356, 500-502; 297/188.01, 188.04, 188.07, 146, 147, 163; 108/25, 44; 224/775, 926; 248/311.2; D12/400, 419, 425

(56) **References Cited**

U.S. PATENT DOCUMENTS

3,773,381 A	*	11/1973	Brennan	297/163
D272,402 S		1/1984	Marrujo		
D273,642 S		5/1984	Marrujo		
4,511,178 A	*	4/1985	Brennan	297/163
4,726,621 A	*	2/1988	Muller	297/146
5,169,091 A		12/1992	Berth		
5,169,209 A		12/1992	Berth		
5,690,036 A	*	11/1997	Hasegawa	108/25
5,695,240 A	*	12/1997	Luria	297/163

5,720,515 A	*	2/1998	Haffner	297/188.04
5,876,092 A	*	3/1999	An	297/163
5,947,033 A	*	9/1999	Lombardo	108/44

* cited by examiner

Primary Examiner—Doris V. Coles

Assistant Examiner—Mimosa De

(74) *Attorney, Agent, or Firm*—Adams Evans P.A.

(57) **CLAIM**

We claim the ornamental design for a seat back meal tray, as shown and described.

DESCRIPTION

FIG. 1 is a perspective view of the seat back meal tray in a closed position, showing our new design;

FIG. 2 is a perspective view of the seat back meal tray shown in FIG. 1, in an open position showing the upper surfaces thereof;

FIG. 3 is a side elevational view of the seat back meal tray in a closed position;

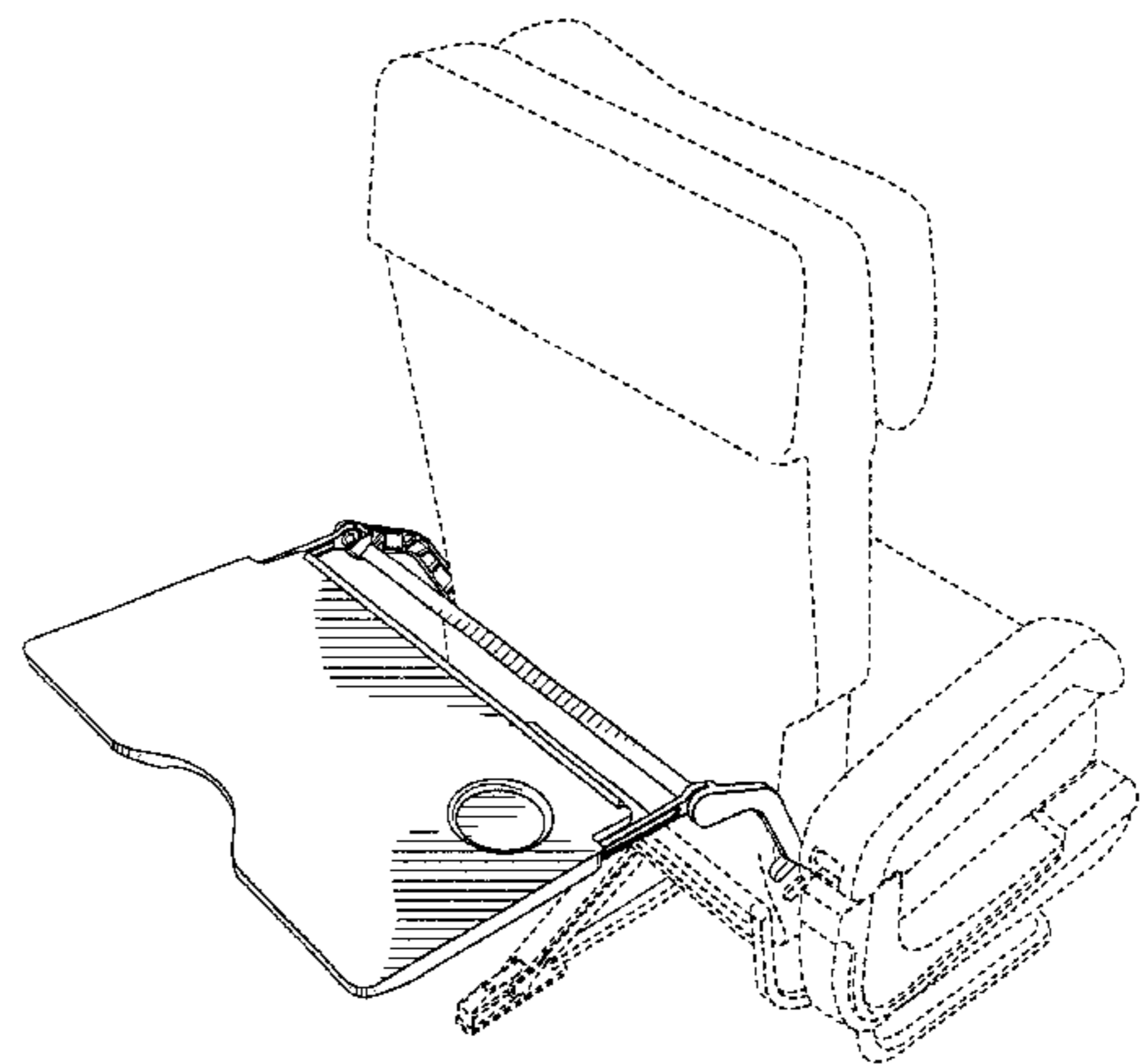
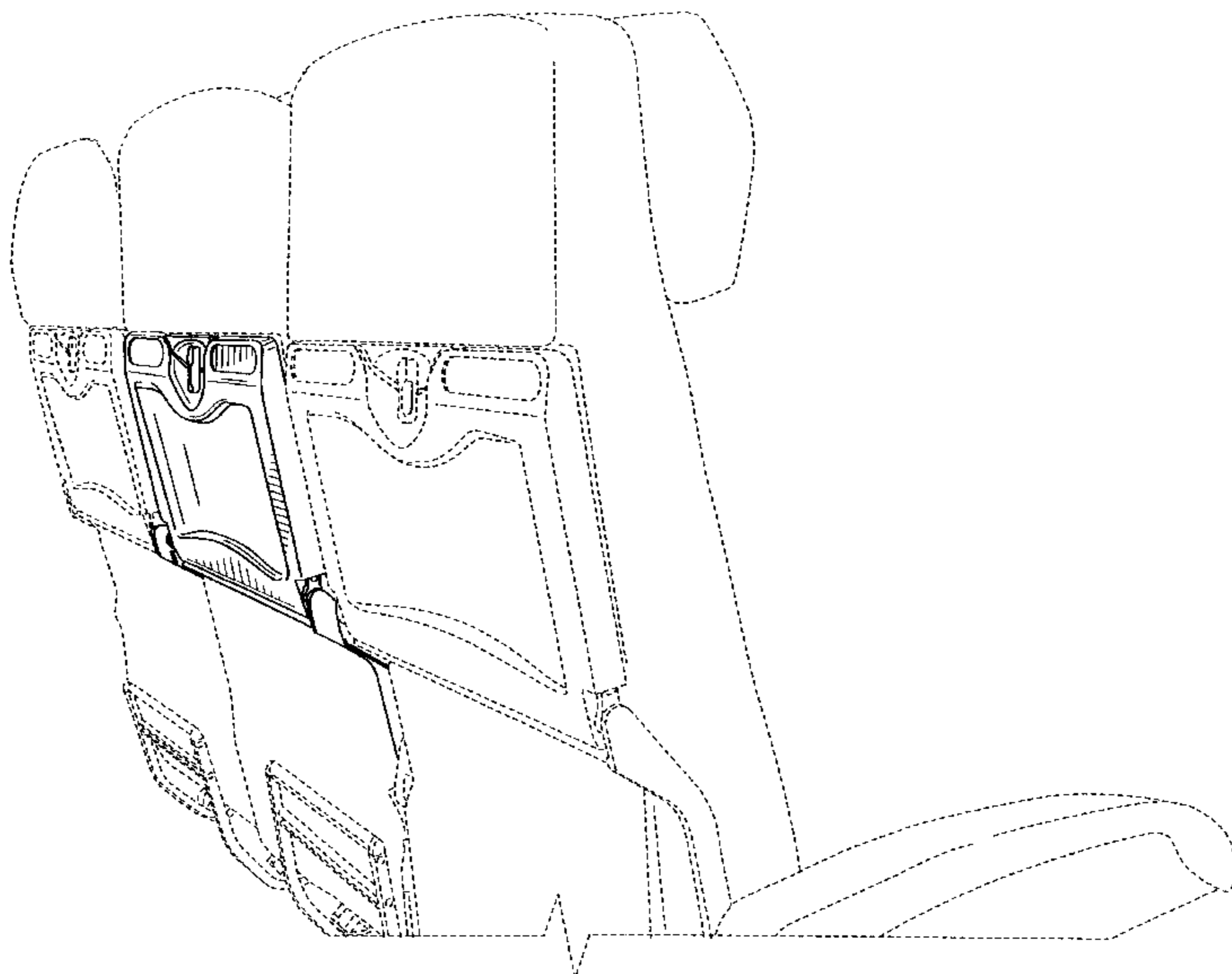
FIG. 4 is a side elevational view of the seat back meal tray in an open position;

FIG. 5 is a rear view of the seat back meal tray in a closed position; and,

FIG. 6 is a rear view of the seat back meal tray in an open position.

The broken line showing the seat unit to which the seat back meal tray is attached in FIGS. 1-6 is for illustrative purposes only and forms no part of the claimed design.

1 Claim, 6 Drawing Sheets



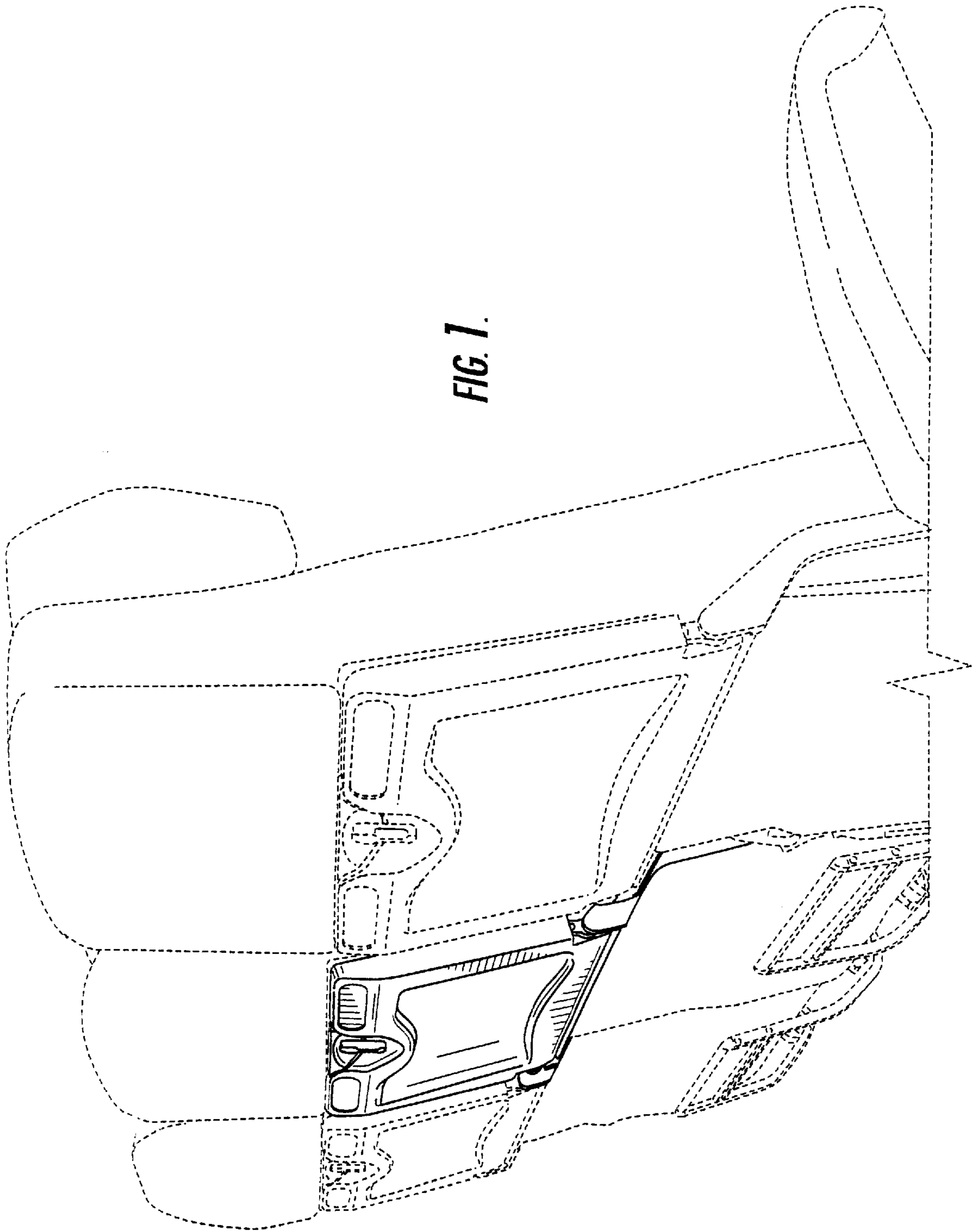


FIG. 1.

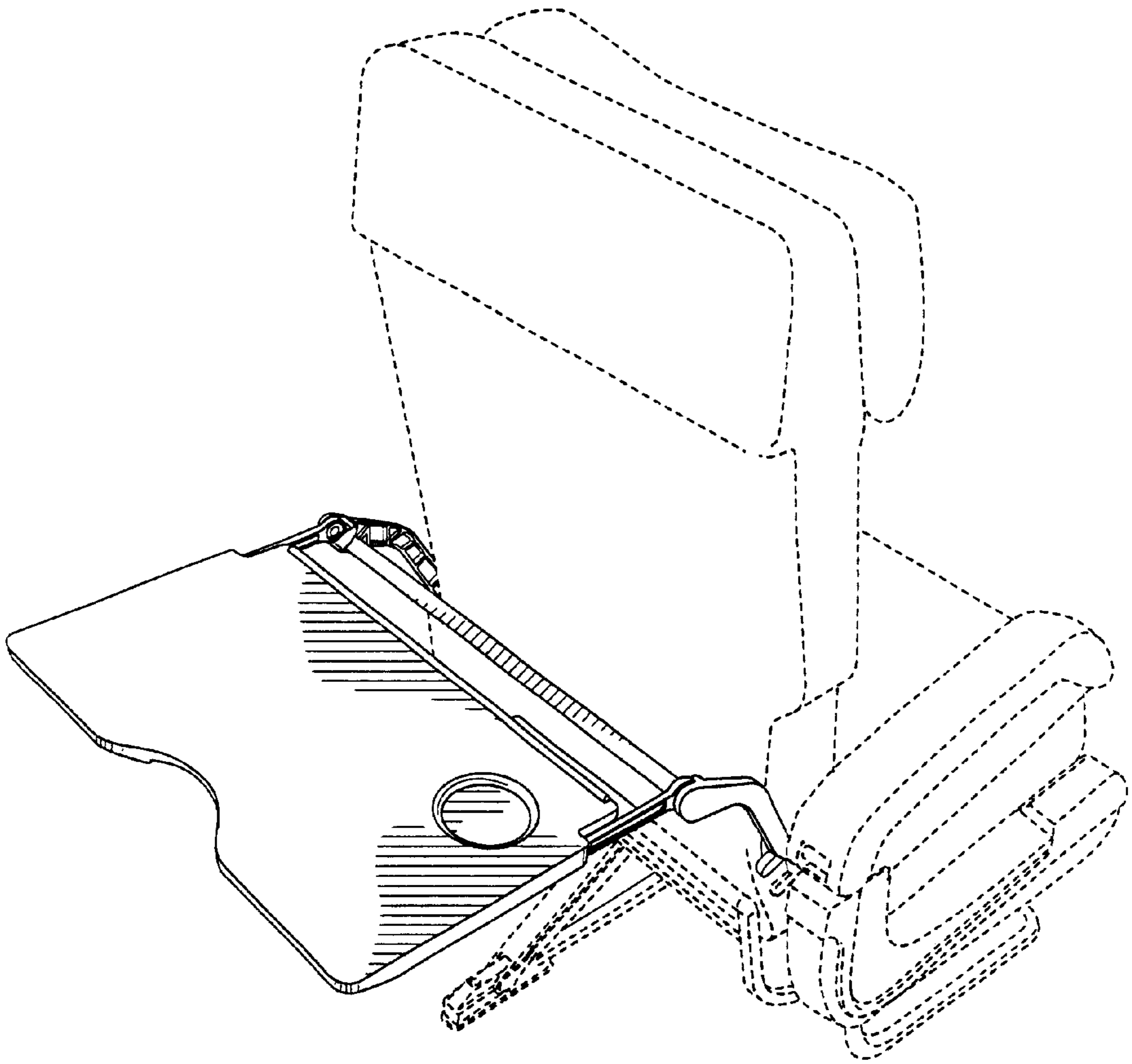


FIG. 2.

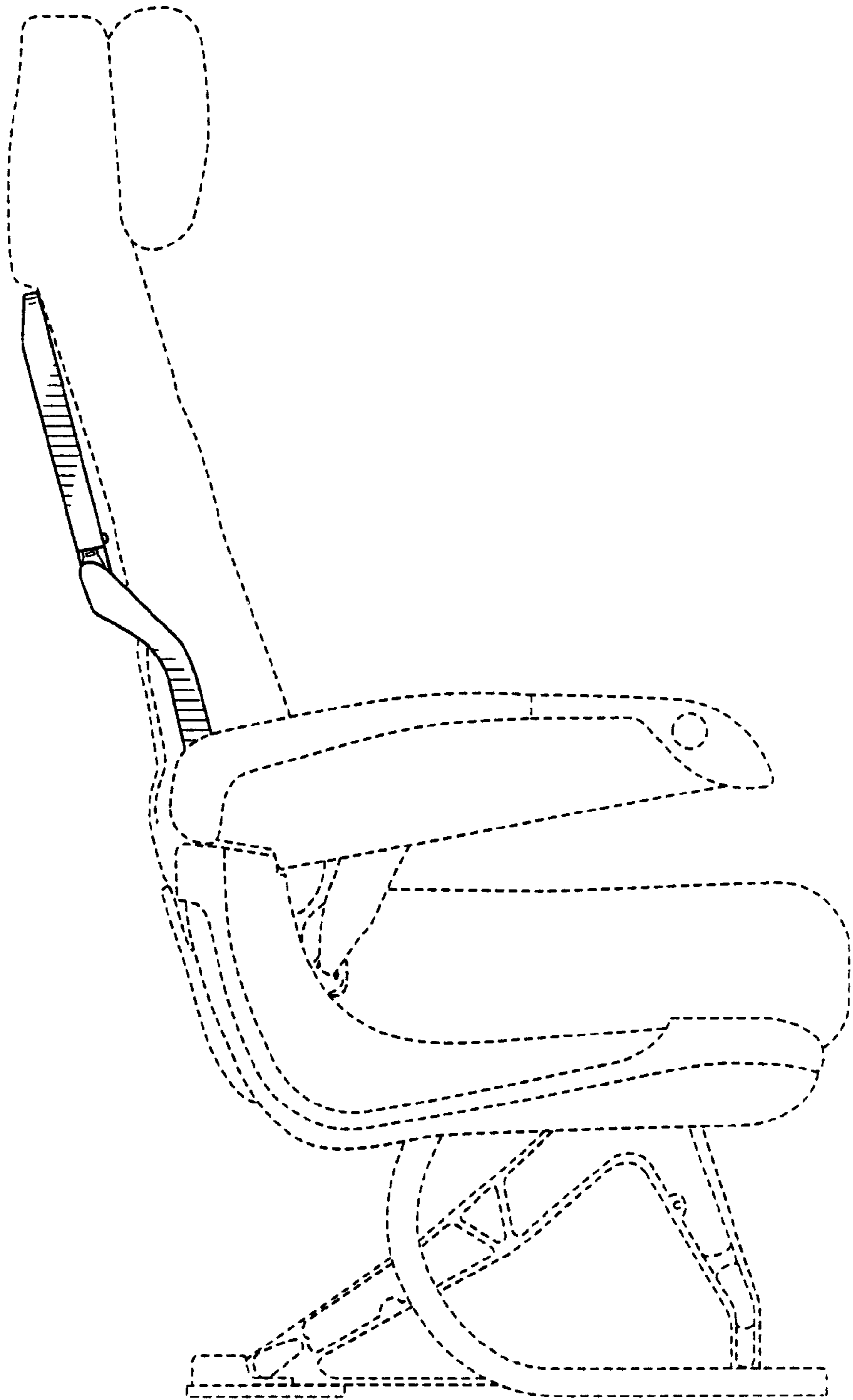


FIG. 3.

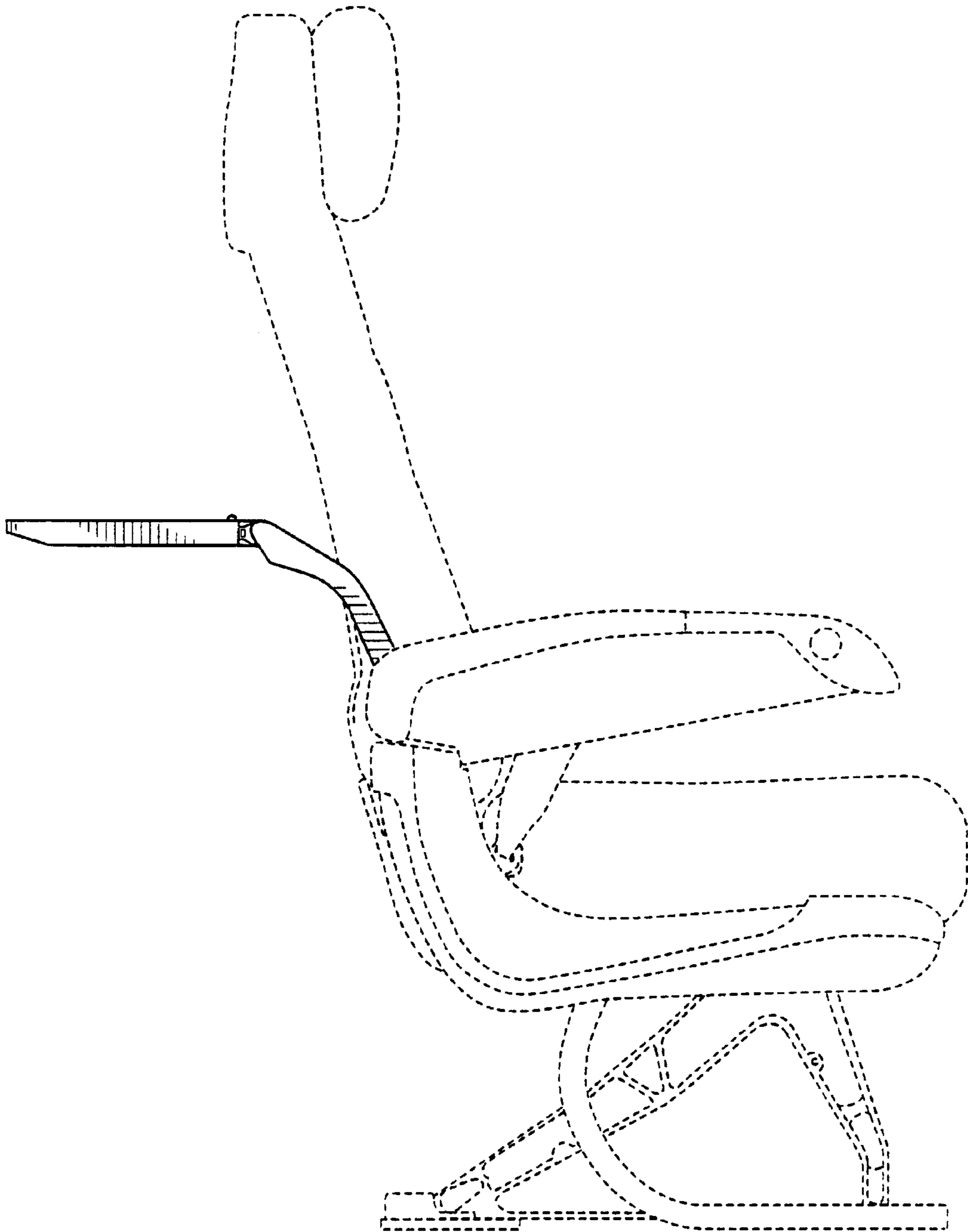


FIG. 4.

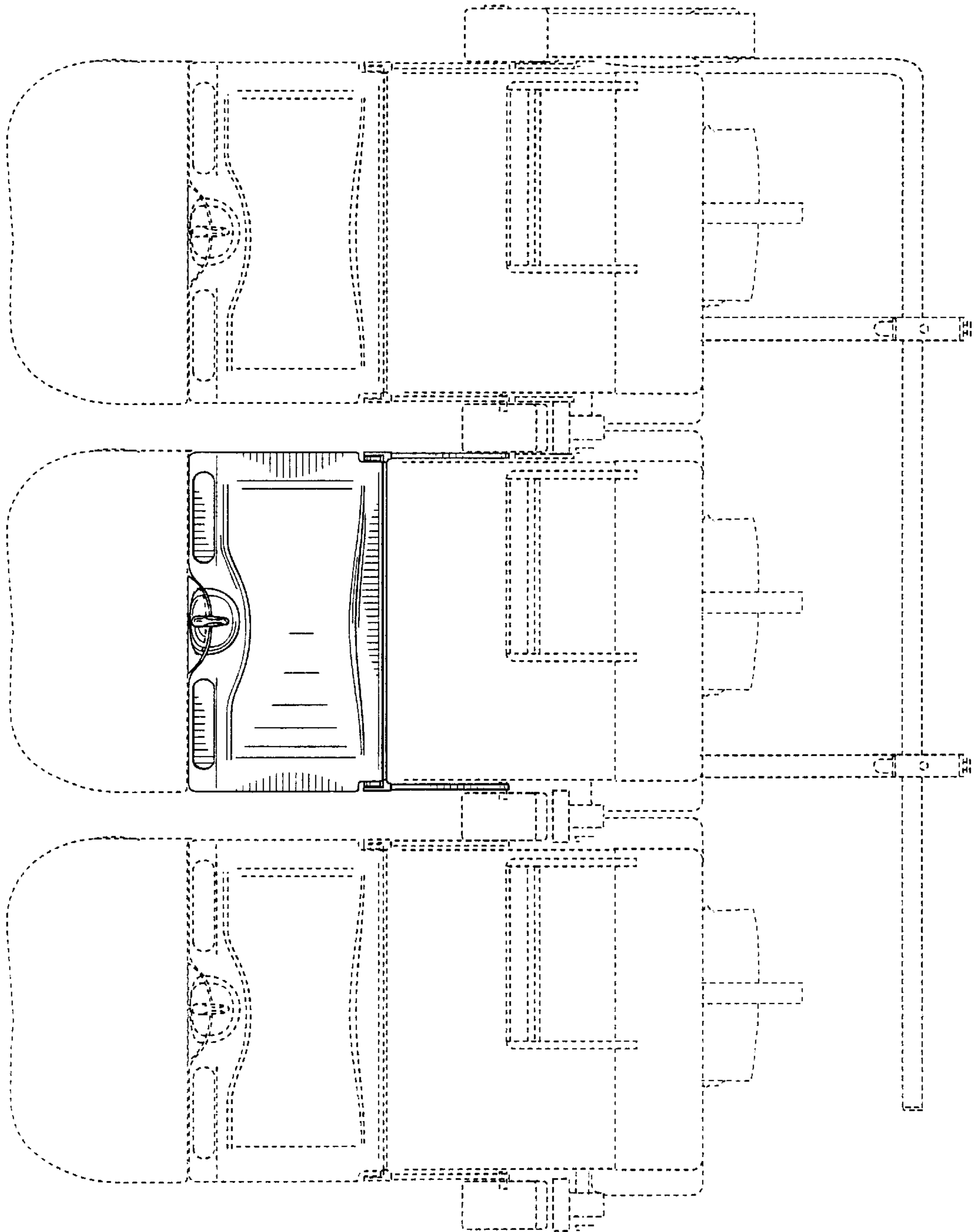


FIG. 5.

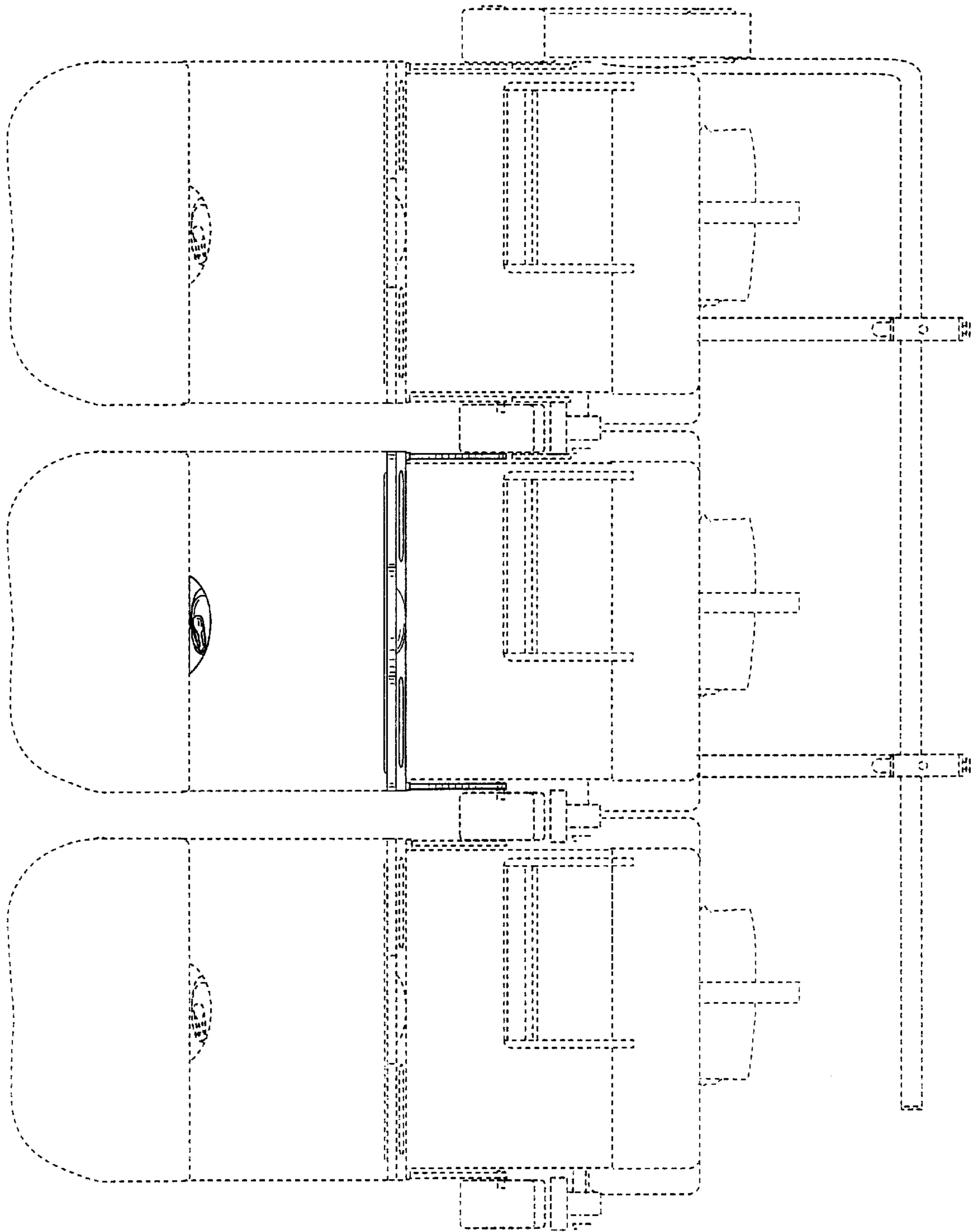


FIG. 6.