



US00D487855S

(12) **United States Design Patent**
Nye et al.

(10) **Patent No.:** **US D487,855 S**
(45) **Date of Patent:** **** Mar. 30, 2004**

(54) **SUPPORT FOR A TABLE**

(75) Inventors: **S. Curtis Nye**, Clinton, UT (US);
Brandon Smith, Ogden, UT (US); **L. Curtis Strong**, Clearfield, UT (US)

(73) Assignee: **Lifetime Products, Inc.**, Clearfield, UT (US)

(**) Term: **14 Years**

(21) Appl. No.: **29/180,732**

(22) Filed: **Apr. 29, 2003**

(51) **LOC (7) Cl.** **06-03**

(52) **U.S. Cl.** **D6/499**

(58) **Field of Search** D6/480-489, 495-499,
D6/429-431; 248/188, 188.1, 188.6, 188.8;
108/124-126, 127, 130, 131, 153.1, 155,
156, 157.1, 161

(56) **References Cited**

U.S. PATENT DOCUMENTS

D419,332 S	*	1/2000	Collins et al.	D6/429
D420,527 S	*	2/2000	Pinch et al.	D6/429
D469,271 S	*	1/2003	Avrahami	D6/429
D469,981 S	*	2/2003	Buono	D6/429
D476,823 S	*	7/2003	Jackson	D6/429

* cited by examiner

Primary Examiner—Janice Seeger

(74) *Attorney, Agent, or Firm*—Workman Nydegger

(57) **CLAIM**

The ornamental design for a support for a table, as shown and described.

DESCRIPTION

FIG. 1 is a perspective view of a support for a table in accordance with a preferred embodiment of the present invention;

FIG. 2 is a front view of the support for a table shown in FIG. 1;

FIG. 3 is a back view of the support for a table shown in FIG. 1;

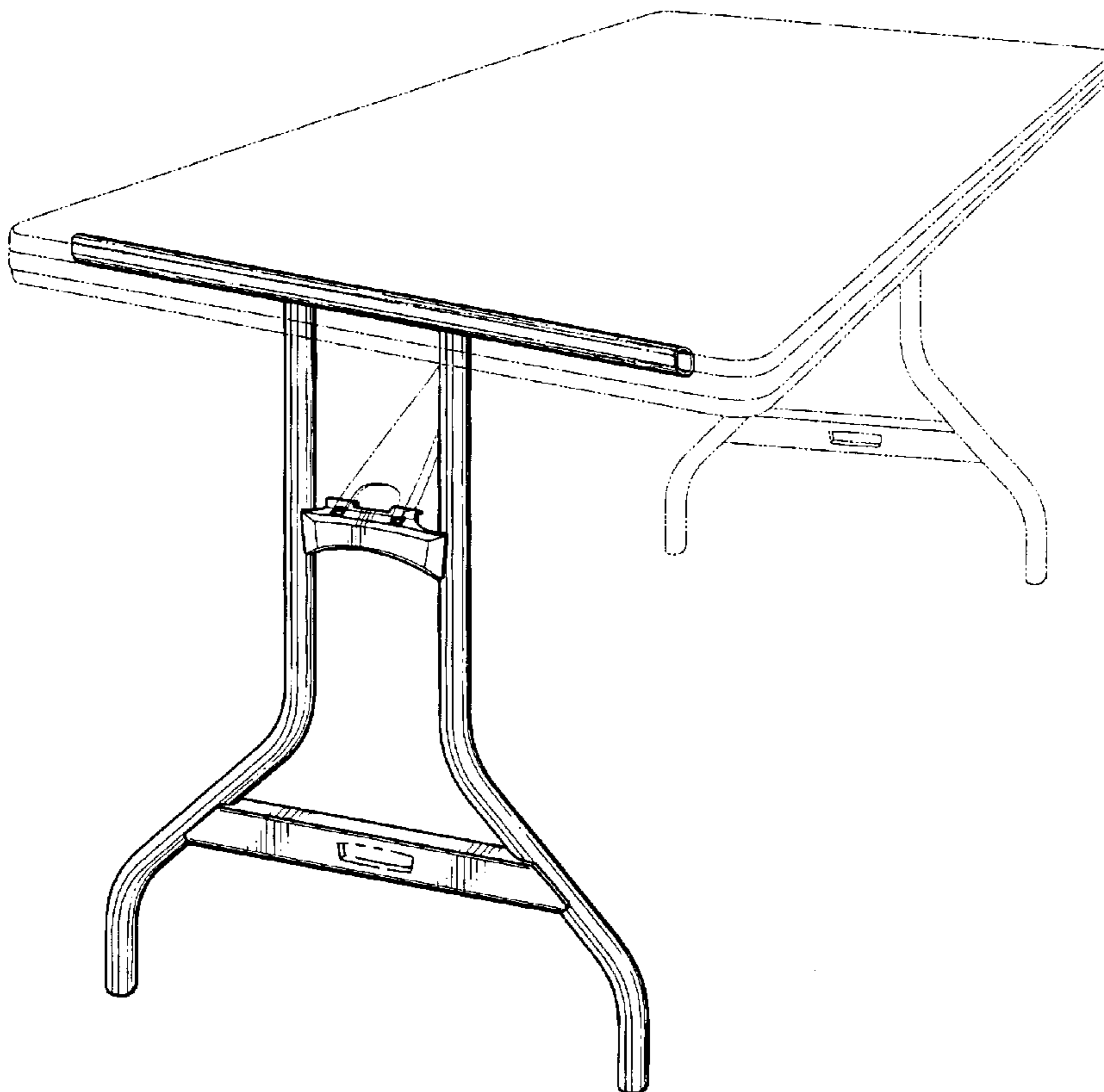
FIG. 4 is a right side view of the support for a table shown in FIG. 1, with the left side view being a mirror image thereof;

FIG. 5 is a top view of the support for a table shown in FIG. 1; and,

FIG. 6 is a bottom view of the support for a table shown in FIG. 1.

The broken lines are for illustrative purposes only and form no part of the claimed design.

1 Claim, 2 Drawing Sheets



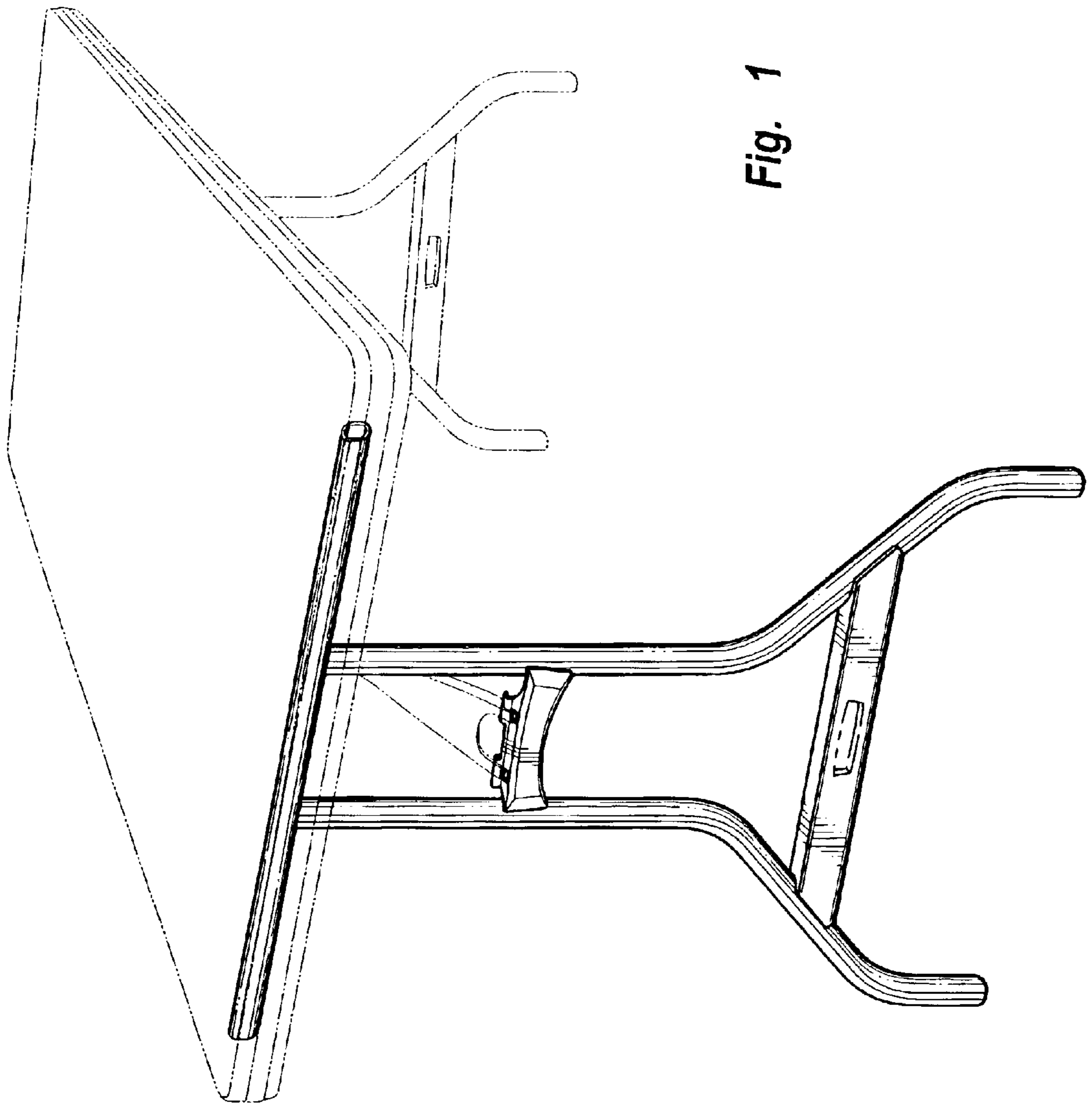


Fig. 1



Fig. 5

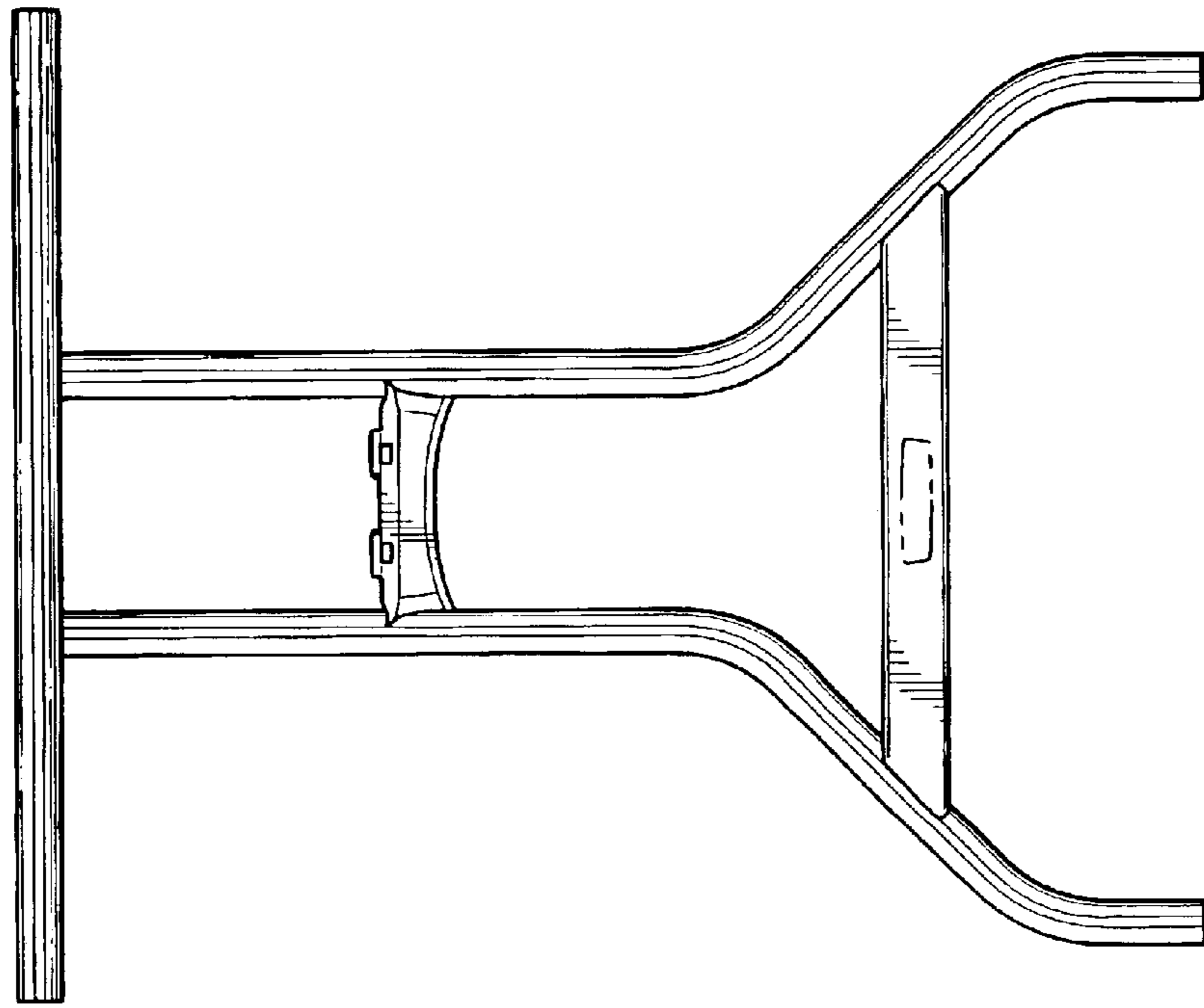


Fig. 2

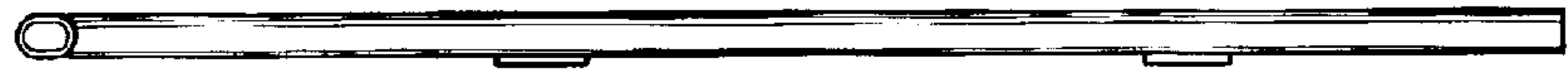


Fig. 4

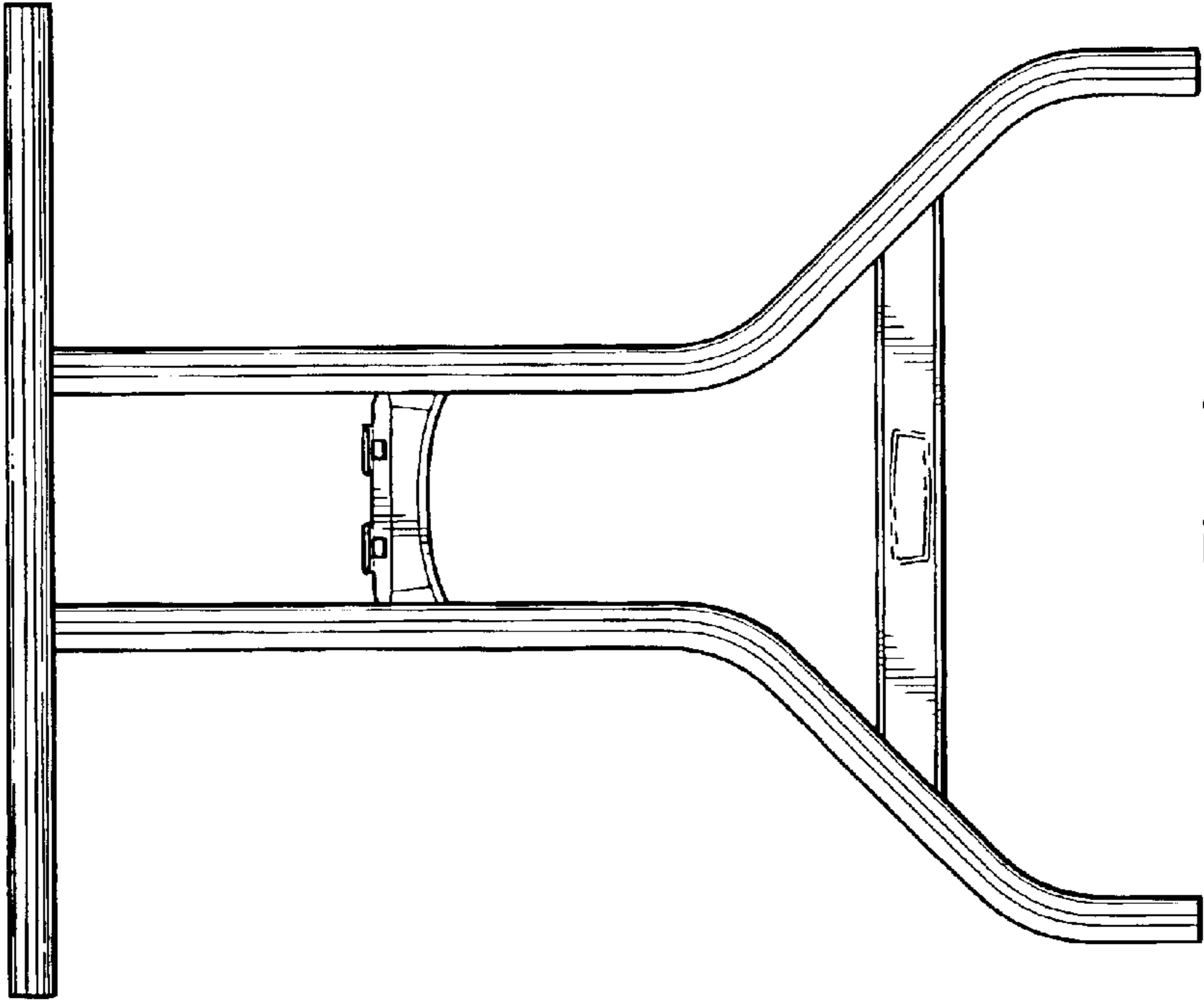


Fig. 3



Fig. 6