



US00D487854S

(12) **United States Design Patent**
Tsai

(10) **Patent No.:** **US D487,854 S**

(45) **Date of Patent:** **** Mar. 30, 2004**

(54) **COMPUTER DESK SIDE LEG**

D463,256 S * 9/2002 Dame et al. D8/374
D478,437 S * 8/2003 Wang D6/495

(75) Inventor: **Chi-Cheng Tsai**, Nantou (TW)

* cited by examiner

(73) Assignee: **Sing Bee Enterprise Co., Ltd.**, Nantou (TW)

Primary Examiner—Kay H. Chin
(74) *Attorney, Agent, or Firm*—Dennison, Schultz, Dougherty & MacDonald

(**) Term: **14 Years**

(21) Appl. No.: **29/180,358**

(57) **CLAIM**

(22) Filed: **Apr. 23, 2003**

The ornamental design for a computer desk side leg, as shown and described.

(51) **LOC (7) Cl.** **06-06**

DESCRIPTION

(52) **U.S. Cl.** **D6/495**

(58) **Field of Search** D6/495, 484, 486,
D6/422, 426, 427, 428; 248/188, 188.8;
312/223.3; D34/27; D14/447

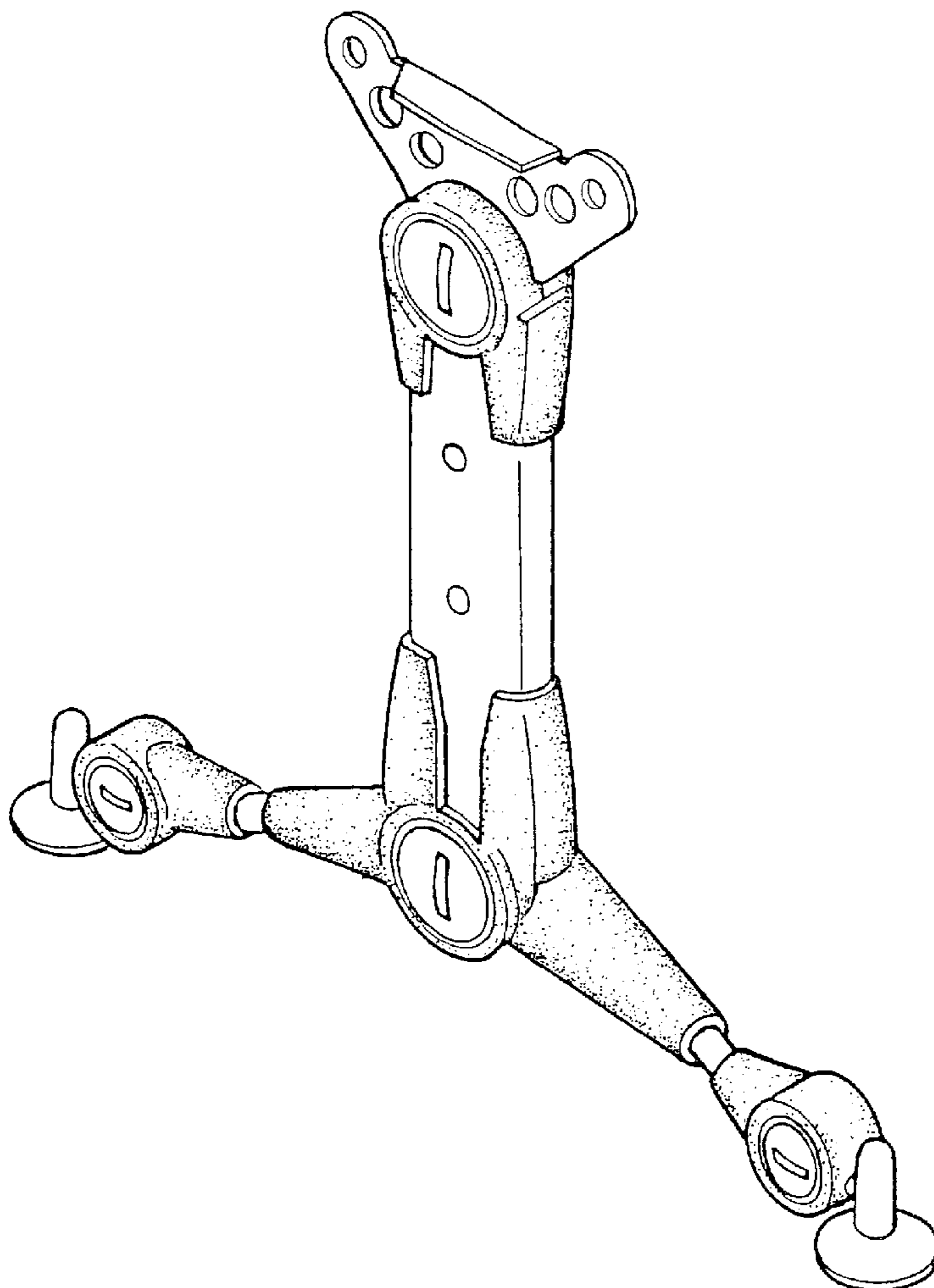
FIG. 1 is a perspective view of a computer desk side leg showing my new design;
FIG. 2 is a front elevation view thereof;
FIG. 3 is a rear elevation view thereof;
FIG. 4 is a left side elevation view thereof;
FIG. 5 is a right side elevation view thereof;
FIG. 6 is a top plan view thereof; and,
FIG. 7 is a bottom plan view thereof.

(56) **References Cited**

U.S. PATENT DOCUMENTS

D422,812 S * 4/2000 Thompson et al. D6/495
D436,268 S * 1/2001 Ko D6/484
D461,072 S * 8/2002 Ko D6/495

1 Claim, 7 Drawing Sheets



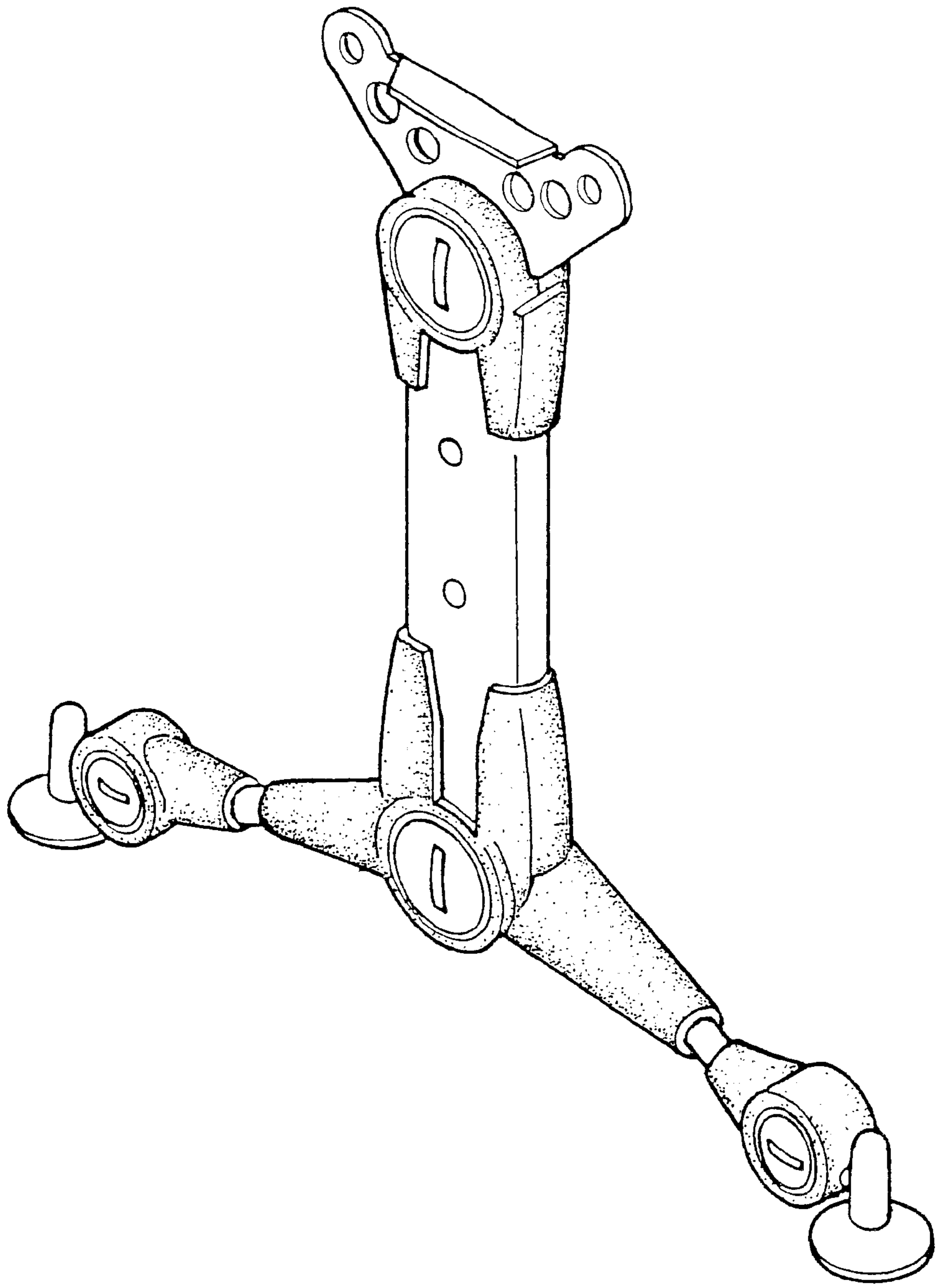


Fig • 1

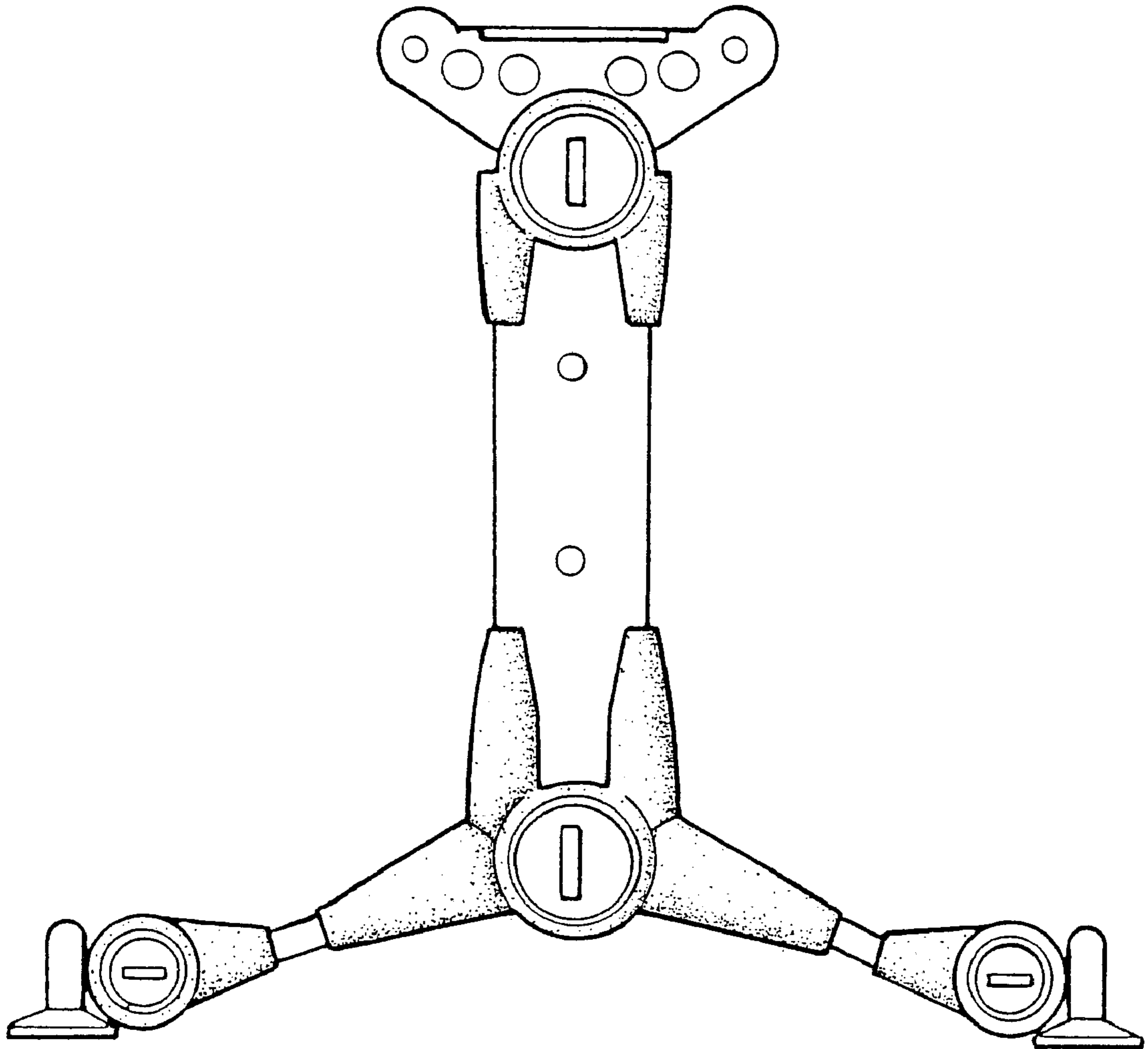


Fig • 2

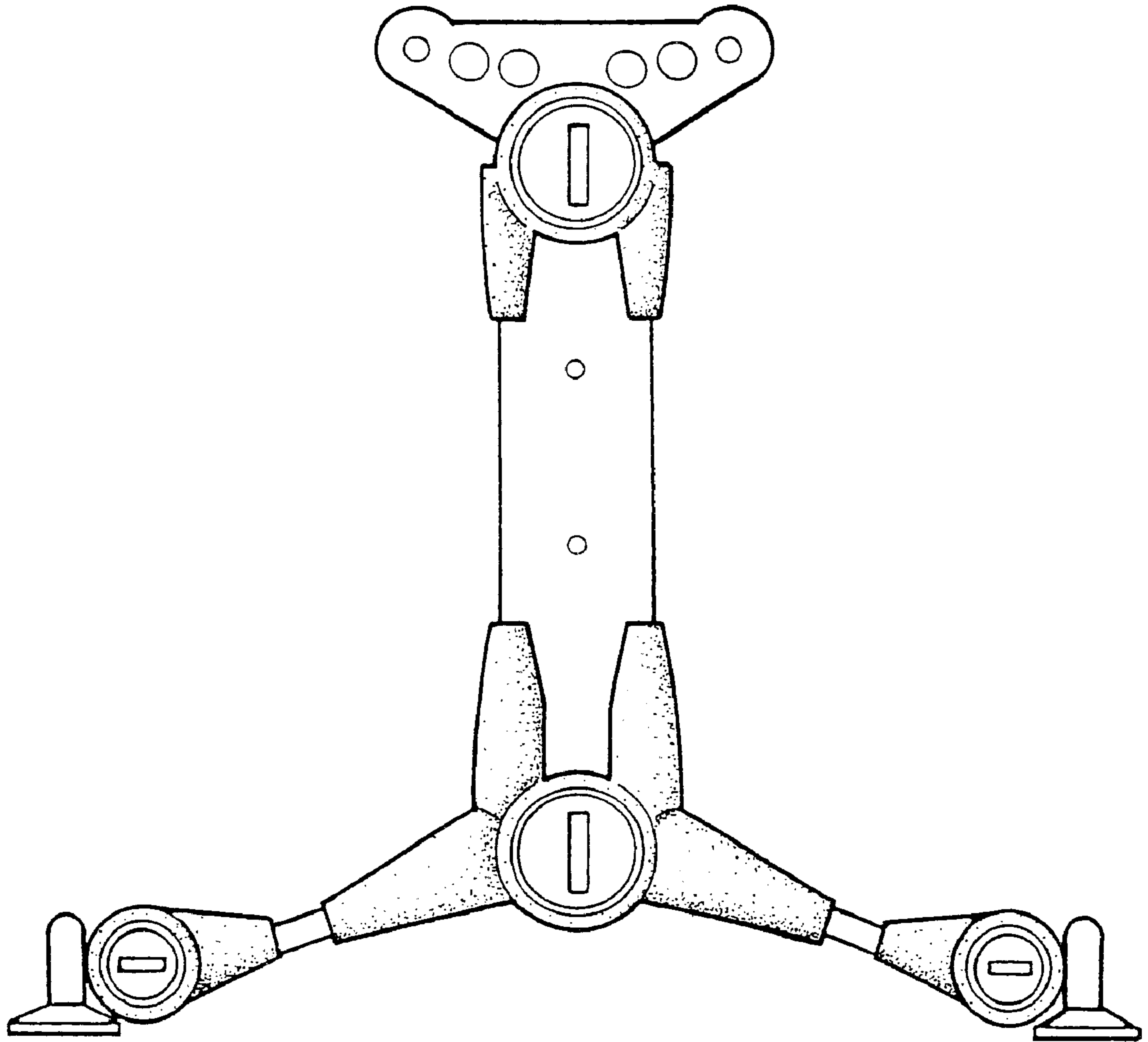


Fig • 3

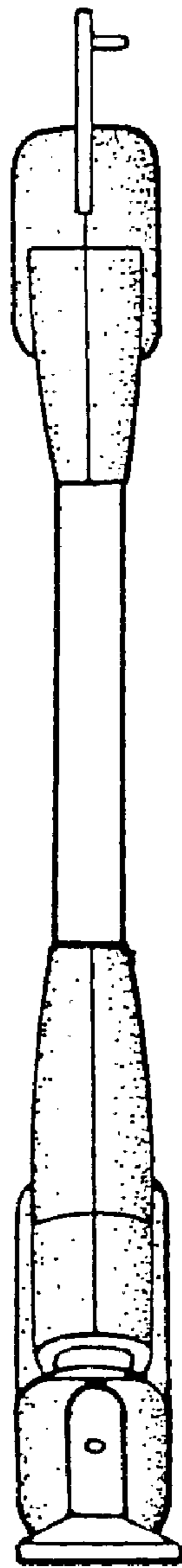


Fig • 4

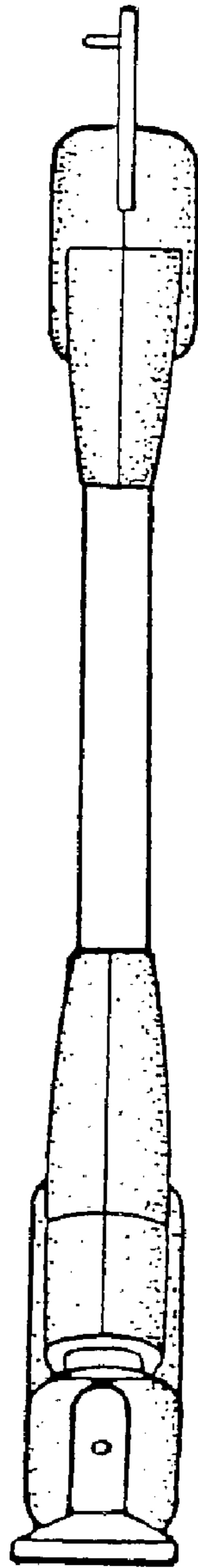


Fig • 5

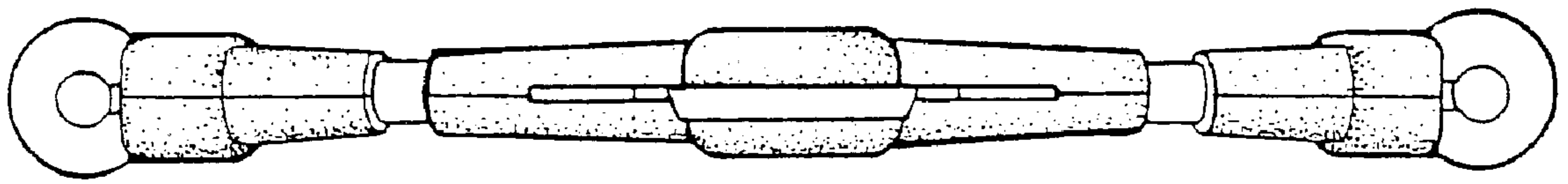


Fig • 6

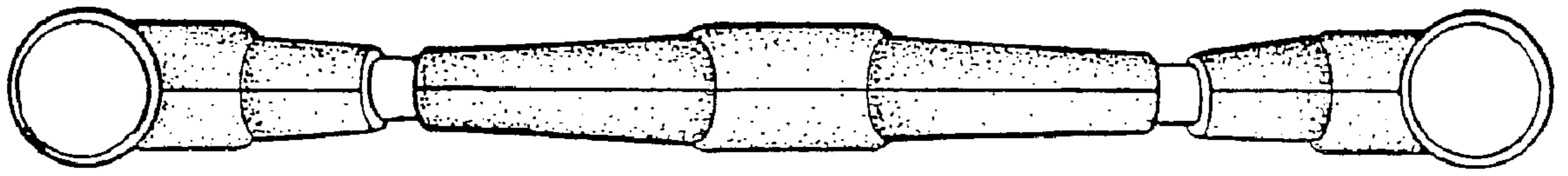


Fig • 7