



US00D487851S

(12) **United States Design Patent**  
**Ramoski**

(10) **Patent No.:** **US D487,851 S**

(45) **Date of Patent:** **\*\* Mar. 30, 2004**

(54) **CLAMPING STAND**

D368,165 S \* 3/1996 Foster ..... D6/311  
5,624,097 A \* 4/1997 Potter ..... 248/464

(76) Inventor: **Robert J. Ramoski**, 6449 Tillery Rd.,  
Lakeland, FL (US) 33813

\* cited by examiner

(\*\*) Term: **14 Years**

*Primary Examiner*—Cathron C. Brooks  
(74) *Attorney, Agent, or Firm*—George A. Bode; Lisa D. Velez; Bode & Associates

(21) Appl. No.: **29/161,509**

(22) Filed: **Jun. 3, 2002**

(57) **CLAIM**

(51) **LOC (7) Cl.** ..... **06-04**

The ornamental design for a clamping stand, as shown and described.

(52) **U.S. Cl.** ..... **D6/400**

(58) **Field of Search** ..... D6/332, 329, 396-398,  
D6/400, 418, 432, 447, 491, 492, 509,  
511; 248/411, 441.1, 447.2, 448, 449, 460,  
463, 451

**DESCRIPTION**

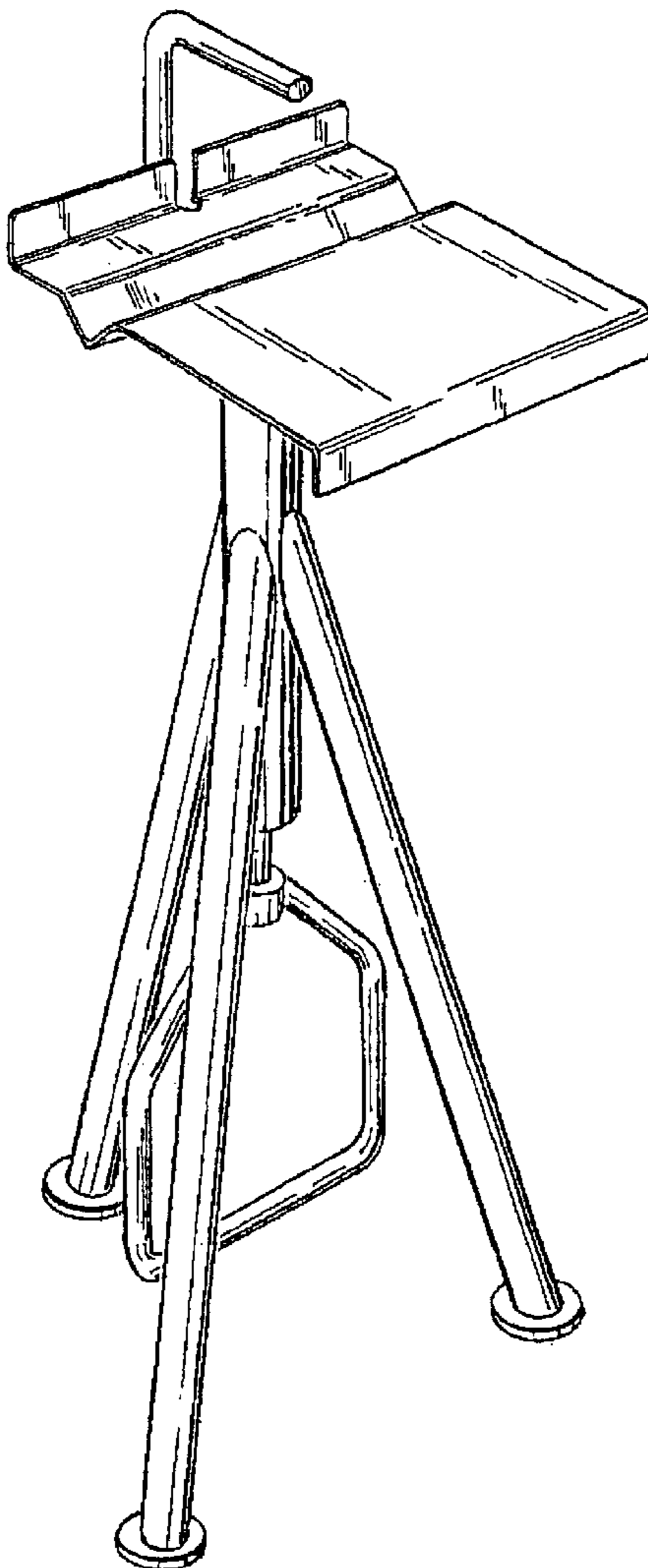
(56) **References Cited**

**U.S. PATENT DOCUMENTS**

D291,153 S \* 8/1987 Nakatani ..... D6/312  
D323,752 S \* 2/1992 Montagner ..... D6/420  
D356,901 S \* 4/1995 Schoenig et al. .... D6/400

FIG. 1 is a top, front and left side perspective view of a clamping stand showing my new design;;  
FIG. 2 is a front elevational view thereof;  
FIG. 3 is a left side elevational view thereof; the right side elevational view being a mirror of that shown;  
FIG. 4 is a rear elevational view thereof;  
FIG. 5 is a bottom plan view thereof; and,  
FIG. 6 is a top plan view thereof.

**1 Claim, 3 Drawing Sheets**



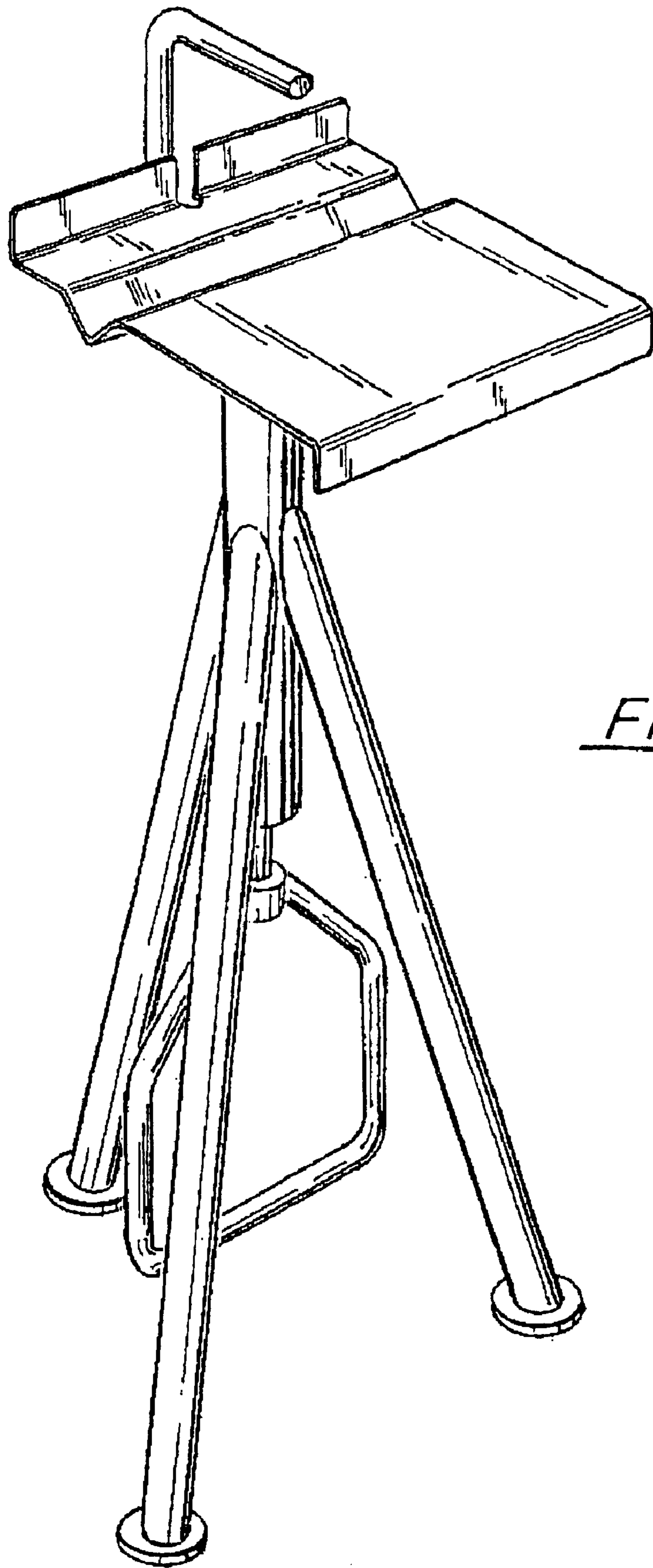


FIG. 1

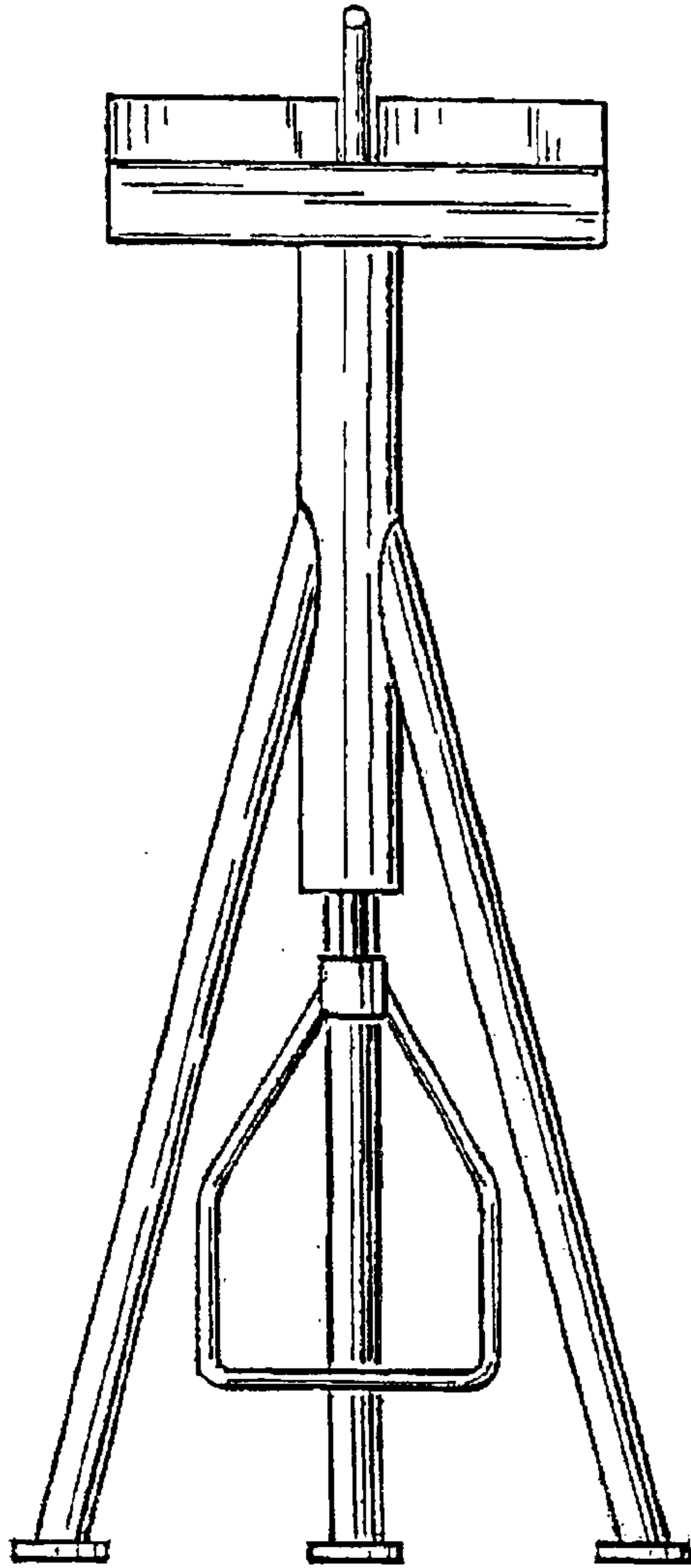


FIG. 2

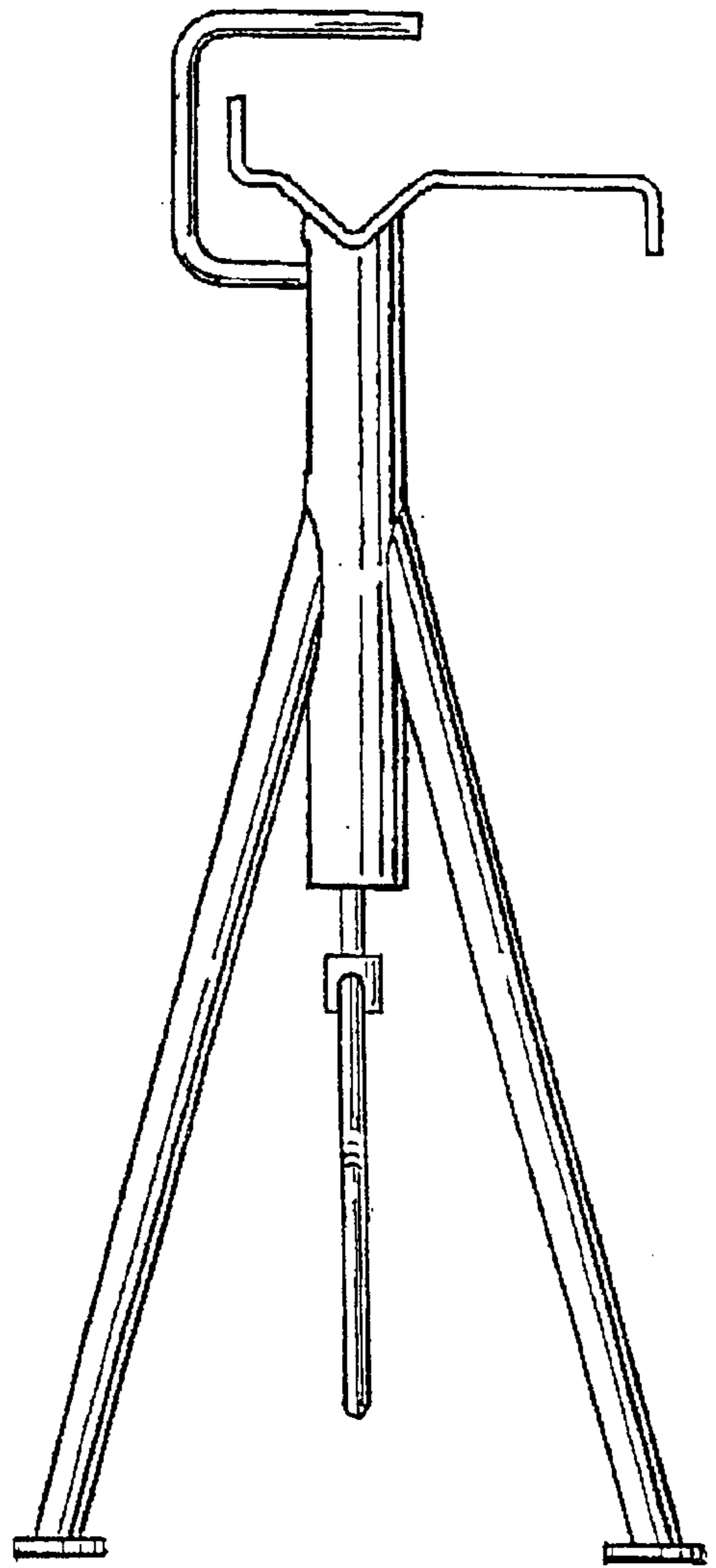


FIG. 3

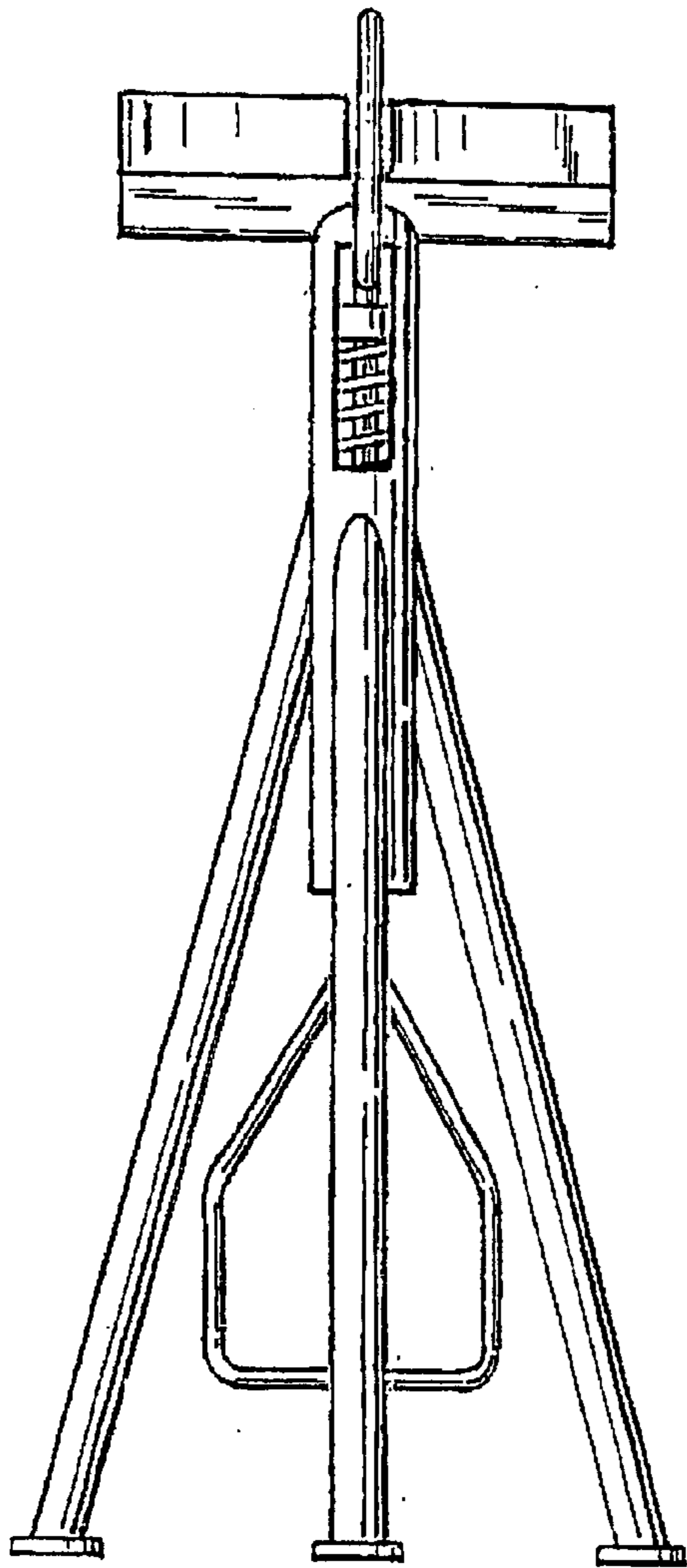


FIG. 4

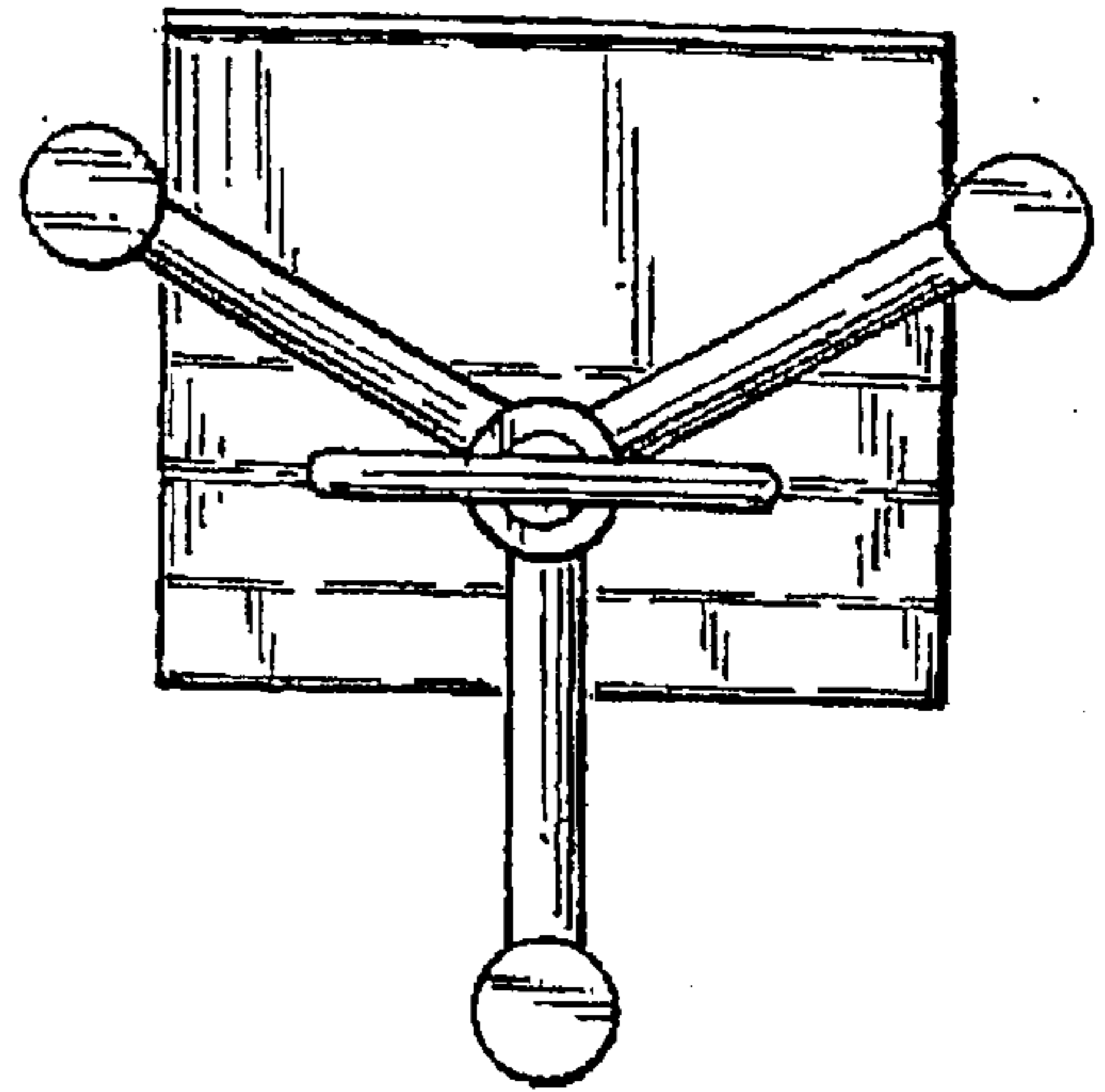


FIG. 5

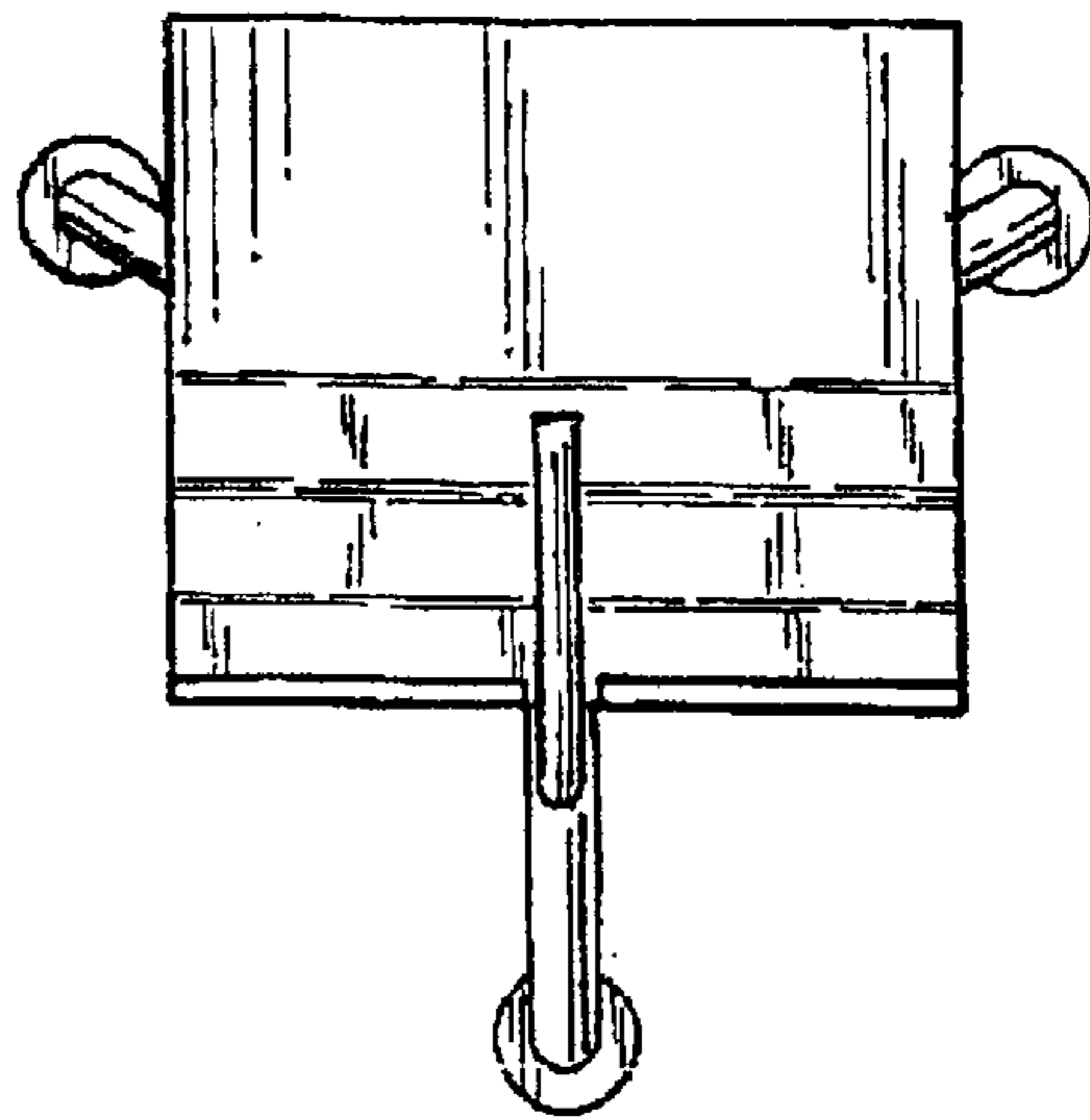


FIG. 6