



US00D487849S

(12) **United States Design Patent**  
**Tseng**

(10) **Patent No.:** **US D487,849 S**

(45) **Date of Patent:** **\*\* Mar. 30, 2004**

(54) **LAWN CHAIR**

(75) **Inventor:** **Chuen-Jong Tseng, Chiayi Hsien (TW)**

(73) **Assignee:** **Shin Yeh Enterprise Co., Ltd., Chiayi Hsien (TW)**

(\*\*) **Term:** **14 Years**

(21) **Appl. No.:** **29/178,596**

(22) **Filed:** **Mar. 28, 2003**

(51) **LOC (7) Cl.** ..... **06-01**

(52) **U.S. Cl.** ..... **D6/376; D6/379**

(58) **Field of Search** ..... **D6/334, 369, 370, D6/374, 376, 379, 380, 500, 501, 502; 297/445.1, 446.1, 452.63**

(56) **References Cited**

**U.S. PATENT DOCUMENTS**

D179,299 S	*	11/1956	Jakobsen	.....	D6/502
D180,601 S	*	7/1957	Jakobsen	.....	D6/380
D341,956 S	*	12/1993	Martin	.....	D6/379
D370,359 S	*	6/1996	Tseng	.....	D6/370

D371,685 S	*	7/1996	Caldwell	.....	D6/376
D396,366 S	*	7/1998	Swy	.....	D6/502
D419,327 S	*	1/2000	Muller	.....	D6/376
D454,009 S	*	3/2002	Tseng	.....	D6/376

\* cited by examiner

*Primary Examiner*—Gary D. Watson

(74) *Attorney, Agent, or Firm*—Ladas & Parry

(57) **CLAIM**

The ornamental design for lawn chair, as shown and described.

**DESCRIPTION**

FIG. 1 is a perspective view of lawn chair showing my new design;

FIG. 2 is a front elevational view thereof;

FIG. 3 is a rear elevational view thereof;

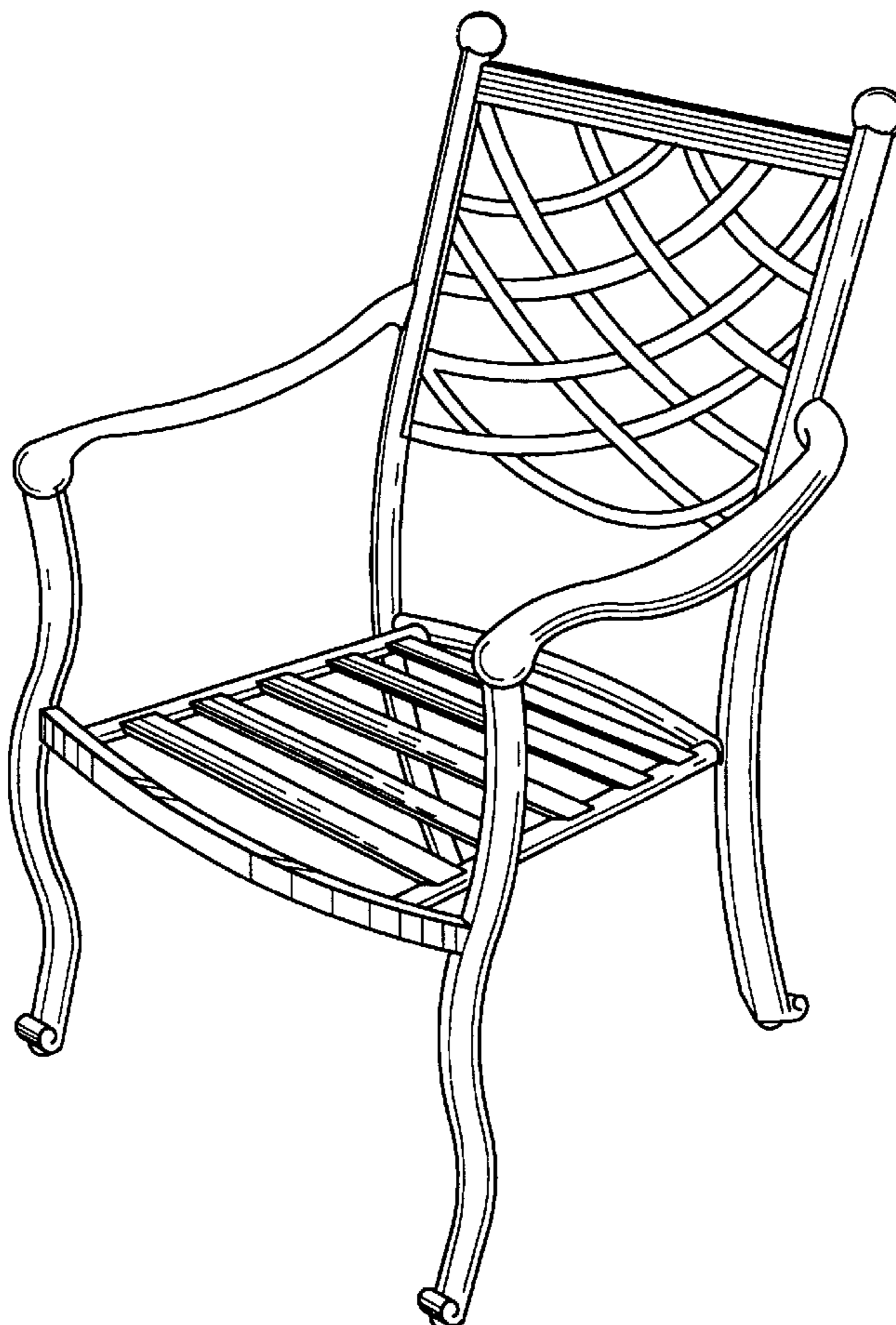
FIG. 4 is a left side elevational view thereof;

FIG. 5 is a right side elevational view thereof;

FIG. 6 is a top plan view thereof; and,

FIG. 7 is a bottom plan view thereof.

**1 Claim, 4 Drawing Sheets**



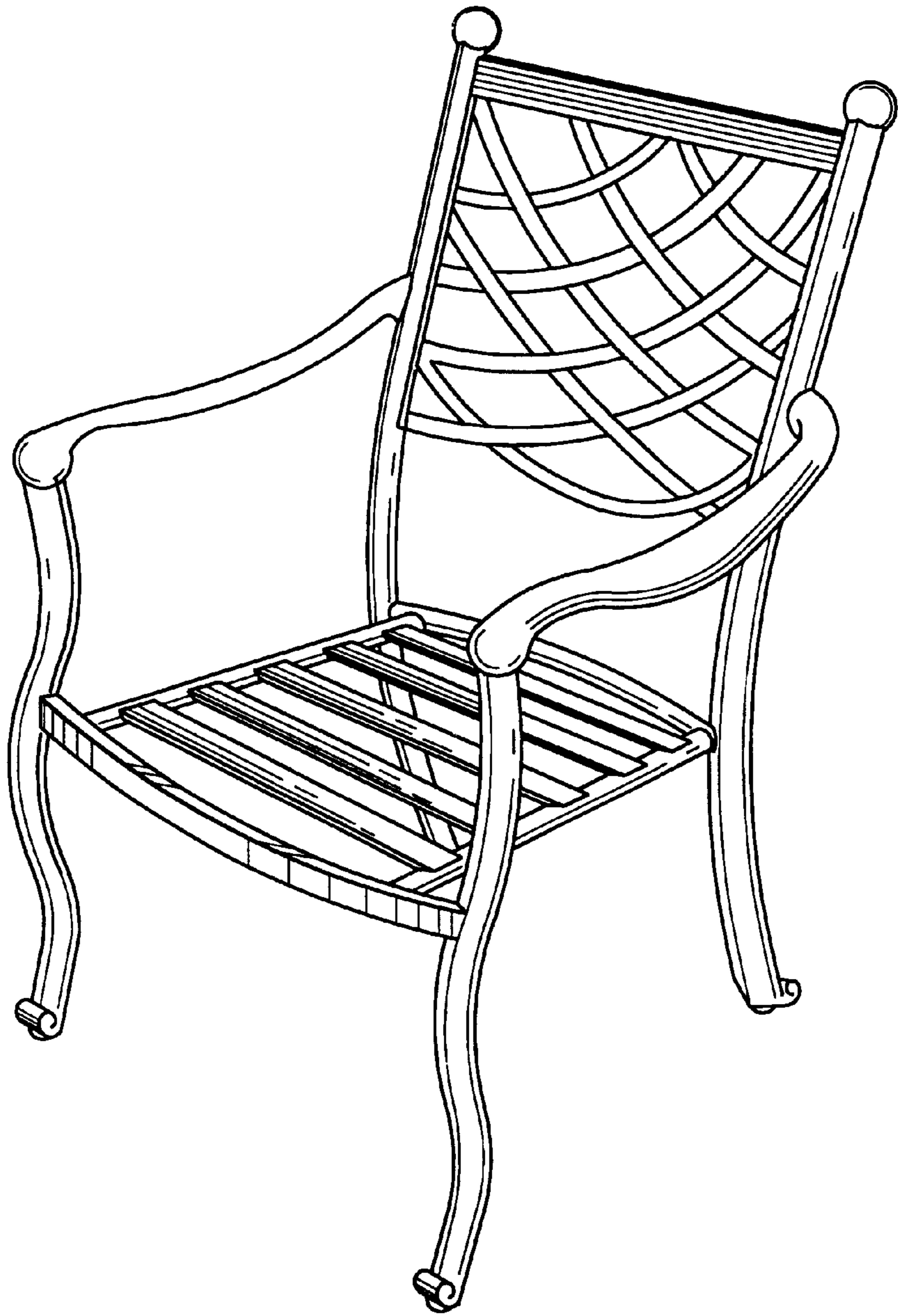


FIG. 1

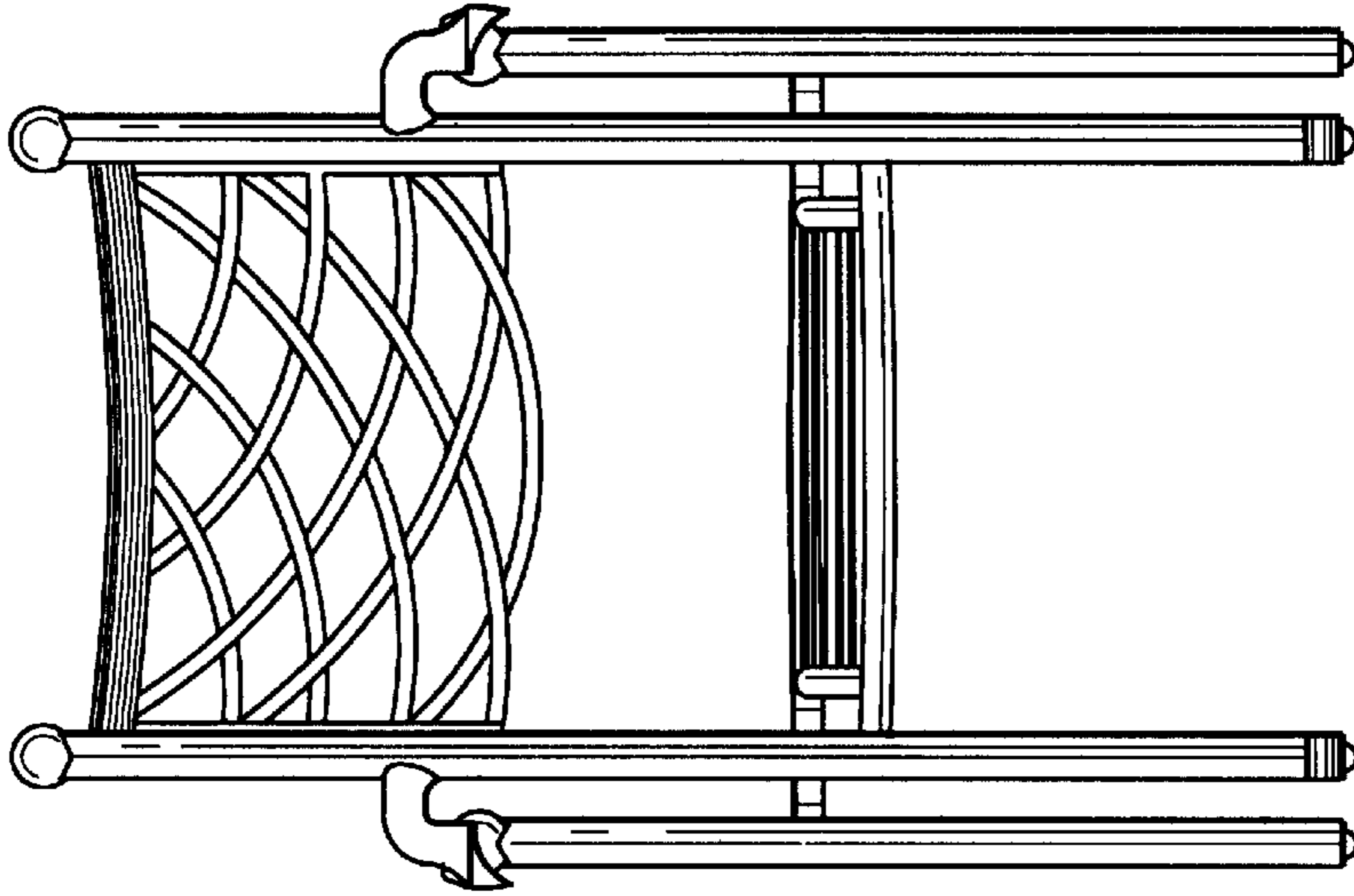


FIG. 3

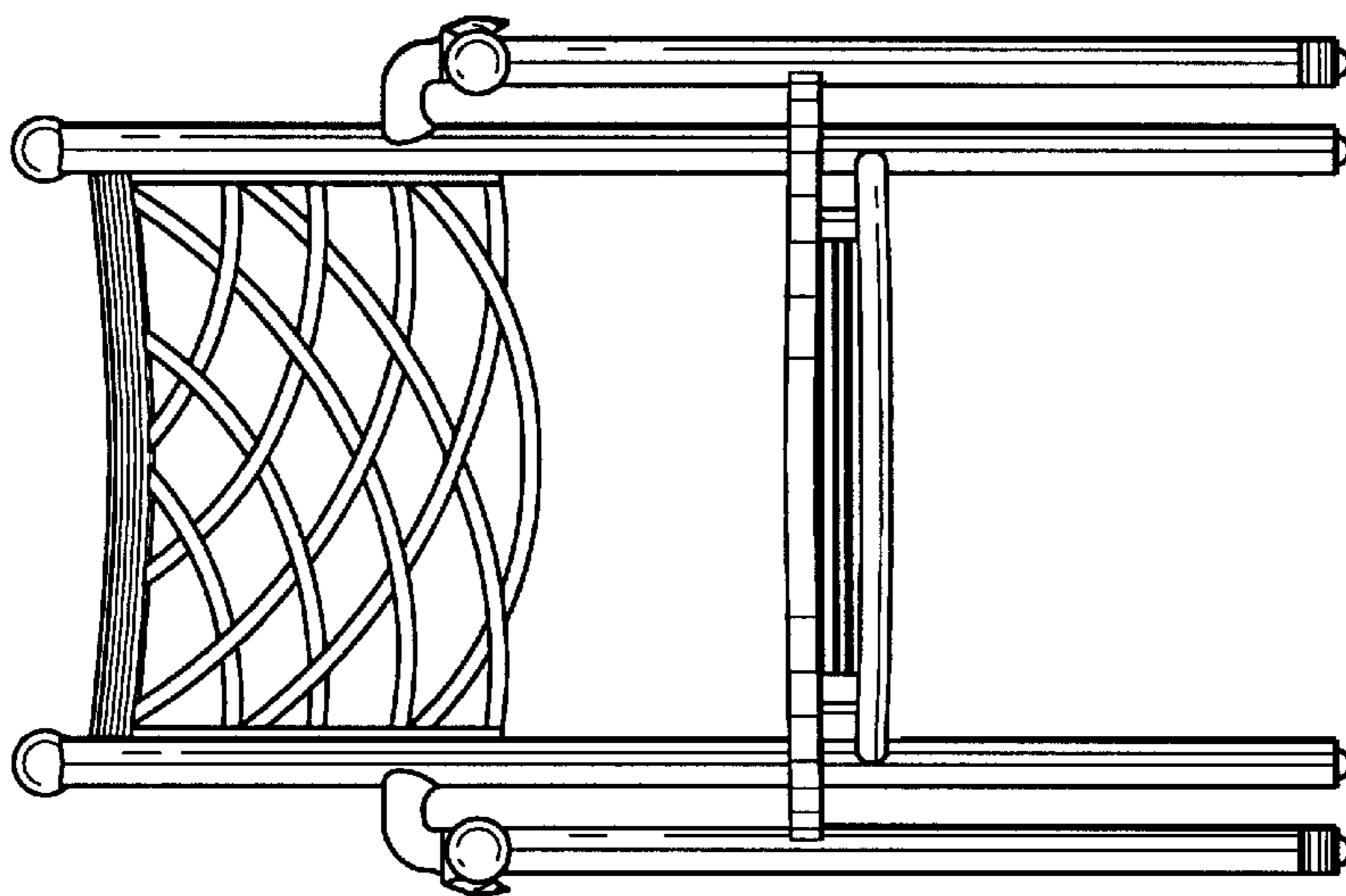


FIG. 2

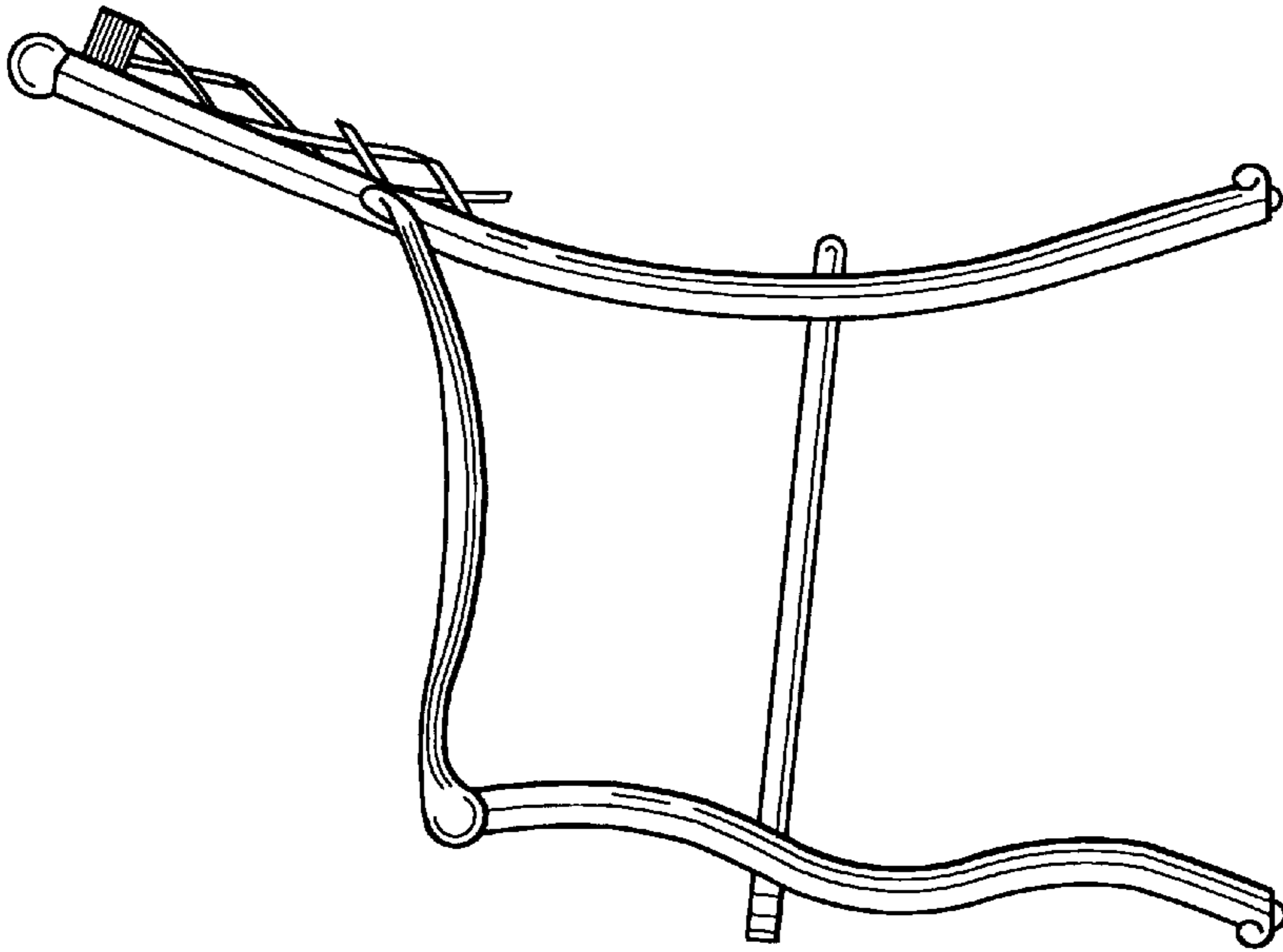


FIG. 5

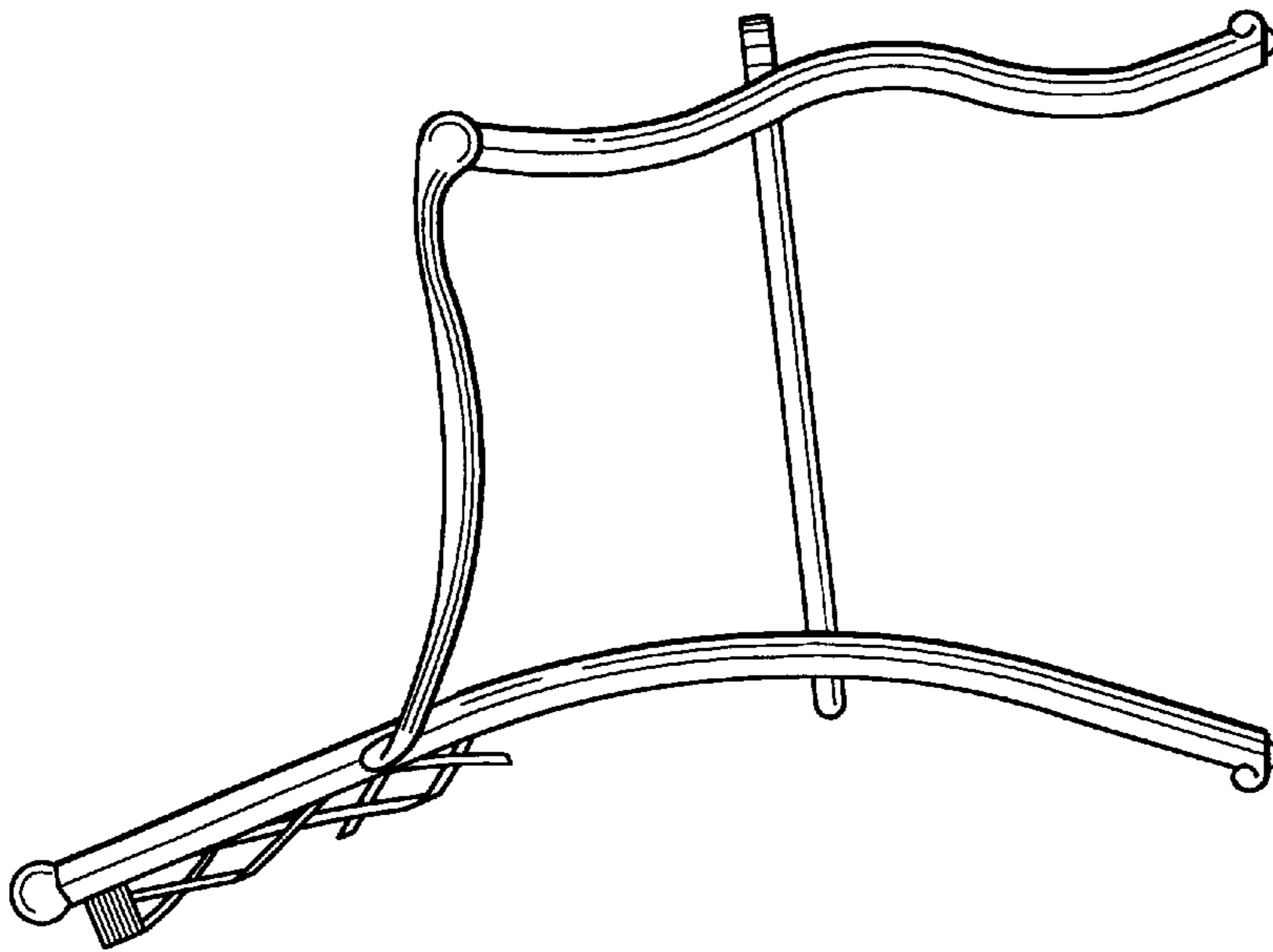


FIG. 4

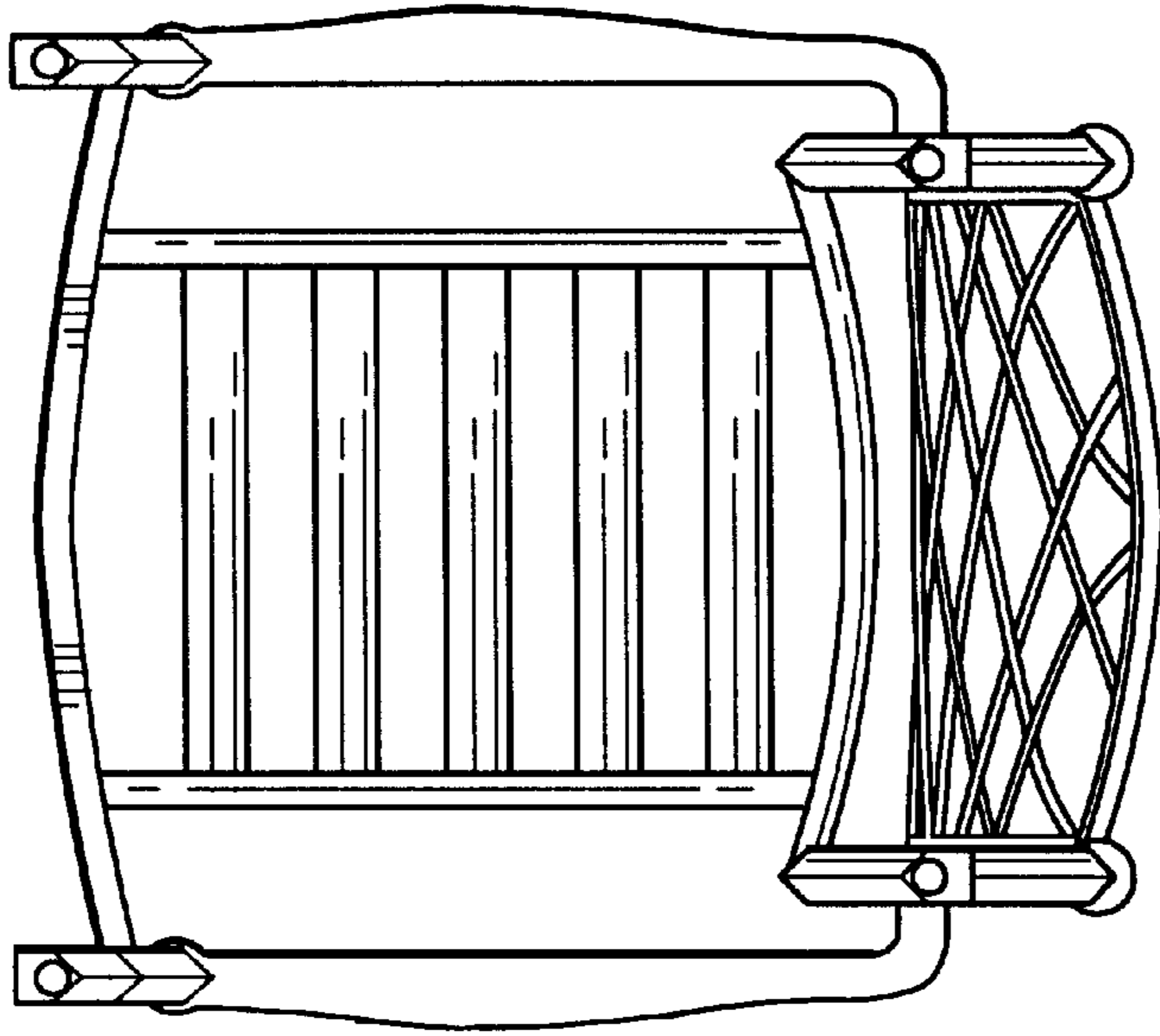


FIG. 7

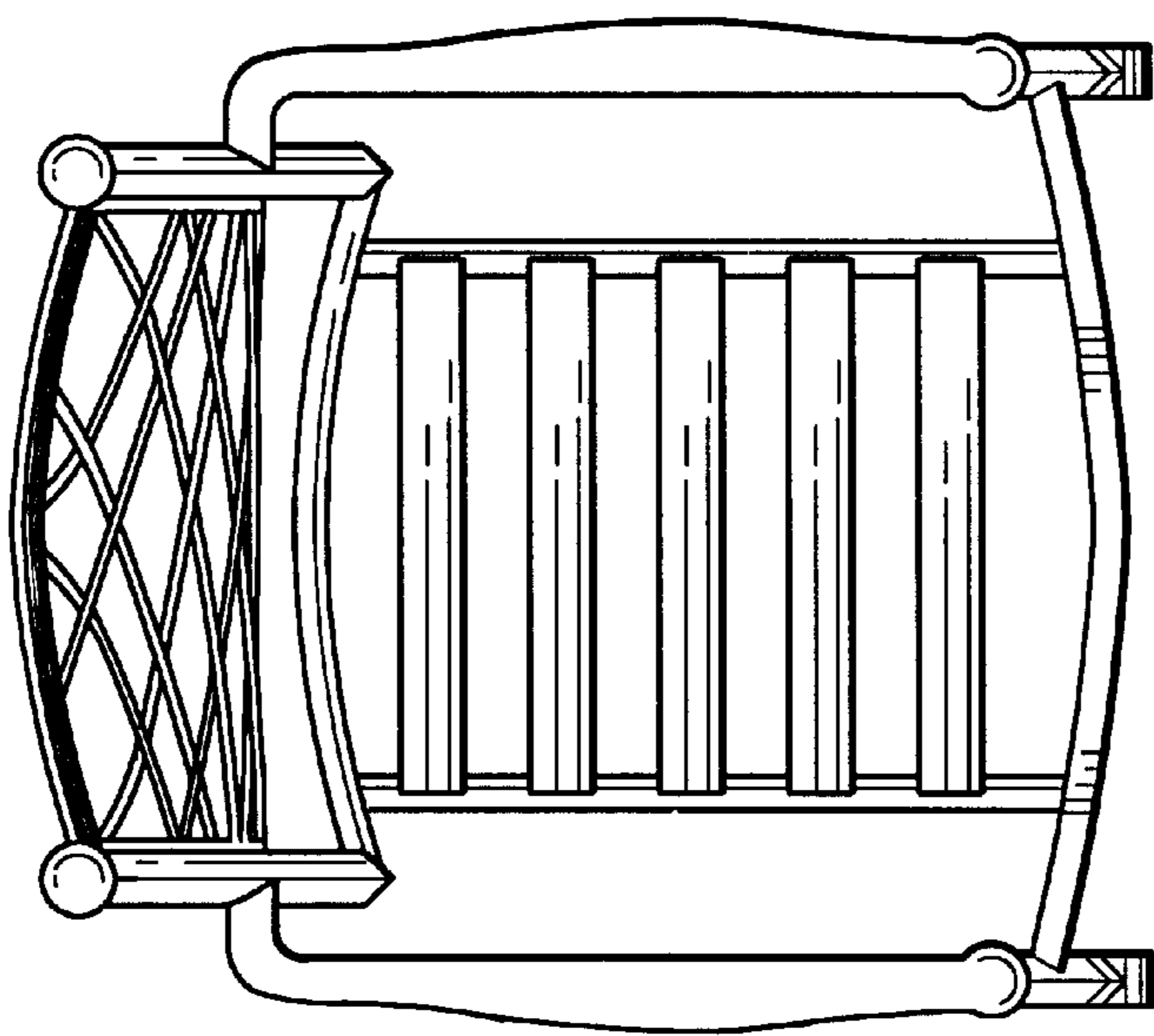


FIG. 6