



US00D487847S

(12) **United States Design Patent**
Vosbikian

(10) **Patent No.:** **US D487,847 S**

(45) **Date of Patent:** **** Mar. 30, 2004**

(54) **PUSHBROOM WITH BRACKET**

(75) Inventor: **David Vosbikian**, Moorestown, NJ (US)

(73) Assignee: **Quickie Manufacturing Corporation**, Cinnaminson, NJ (US)

(**) Term: **14 Years**

(21) Appl. No.: **29/185,483**

(22) Filed: **Jun. 27, 2003**

(51) **LOC (7) Cl.** **04-01**

(52) **U.S. Cl.** **D4/132; D4/199**

(58) **Field of Search** D4/132, 135, 138, D4/199; D32/50, 51; 15/145, 146, 159.1, 160, 171, 175; 16/440

(56) **References Cited**

U.S. PATENT DOCUMENTS

- 2,815,990 A * 12/1957 McCrink 15/145 X
- 5,502,862 A * 4/1996 Vosbikian 15/175
- 6,393,647 B1 * 5/2002 Libman 15/145

OTHER PUBLICATIONS

L.A. Brubh, Catalog 200, Los Angeles, California; Handle brace for floor brush, Item No. 85 on p. 36.*

* cited by examiner

Primary Examiner—Alan P. Douglas

Assistant Examiner—Lavone D. Tabor

(74) *Attorney, Agent, or Firm*—Stuart G. Goldstein

(57) **CLAIM**

The ornamental design for a pushbroom with bracket, as shown and described.

DESCRIPTION

FIG. 1 is the front view of the design of the present invention.

FIG. 2 is the rear view of the design of the present invention.

FIG. 3 is the top view of the design of the present invention.

FIG. 4 is the bottom view of the design of the present invention.

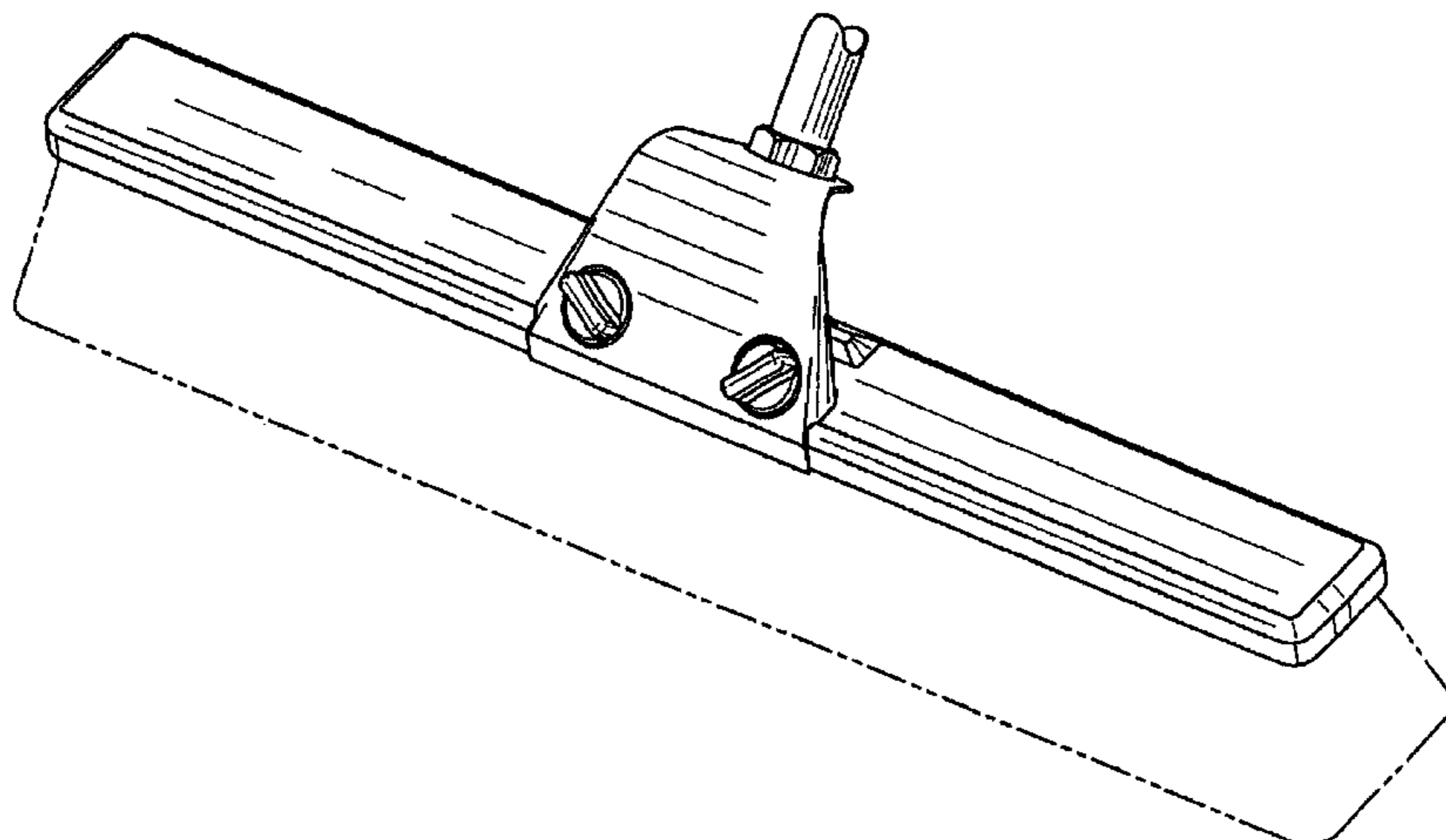
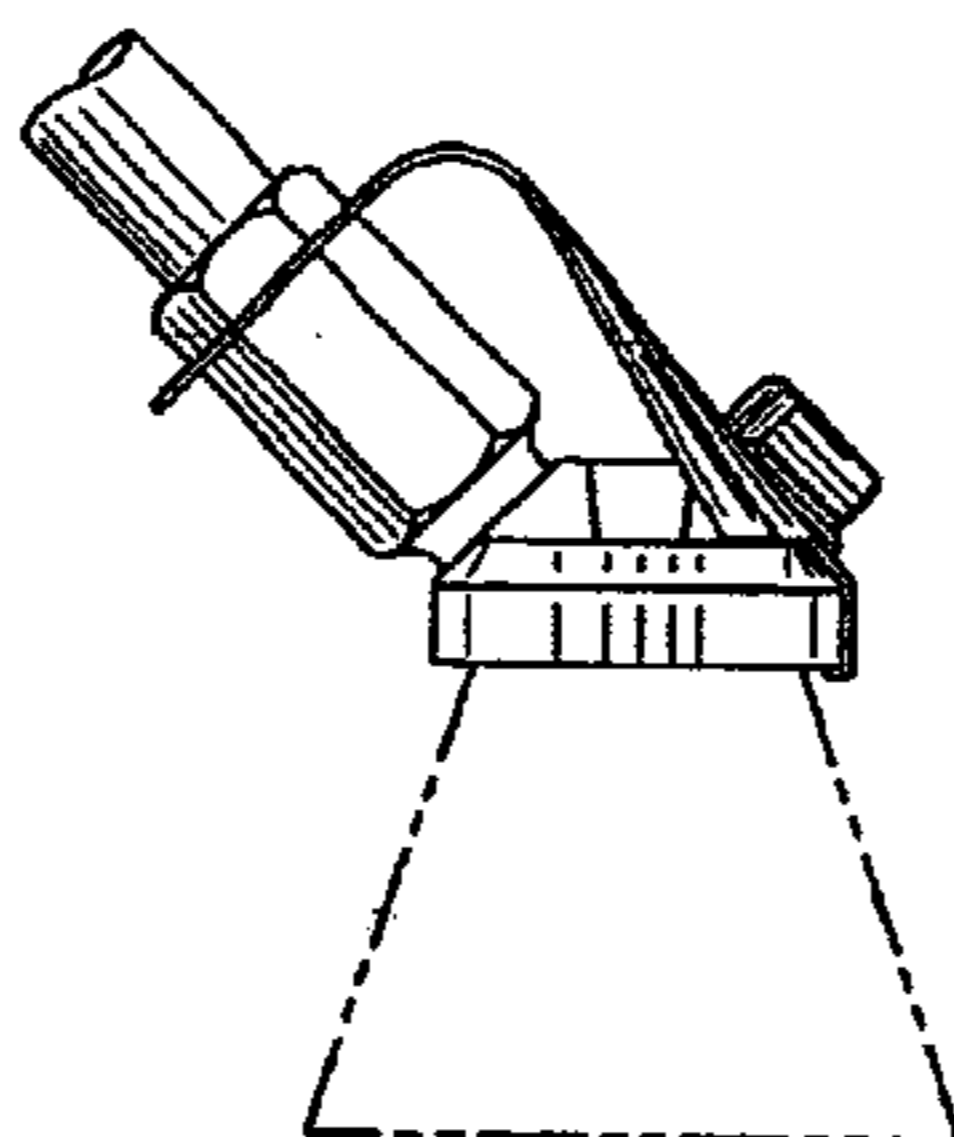
FIG. 5 is the side view of the design of the present invention.

FIG. 6 is the opposite side view of the design of the present invention; and,

FIG. 7 is an isometric view of the design of the present invention.

The broken line structure shown in all of the views is for illustrative purposes only and forms no part of the claimed design.

1 Claim, 4 Drawing Sheets



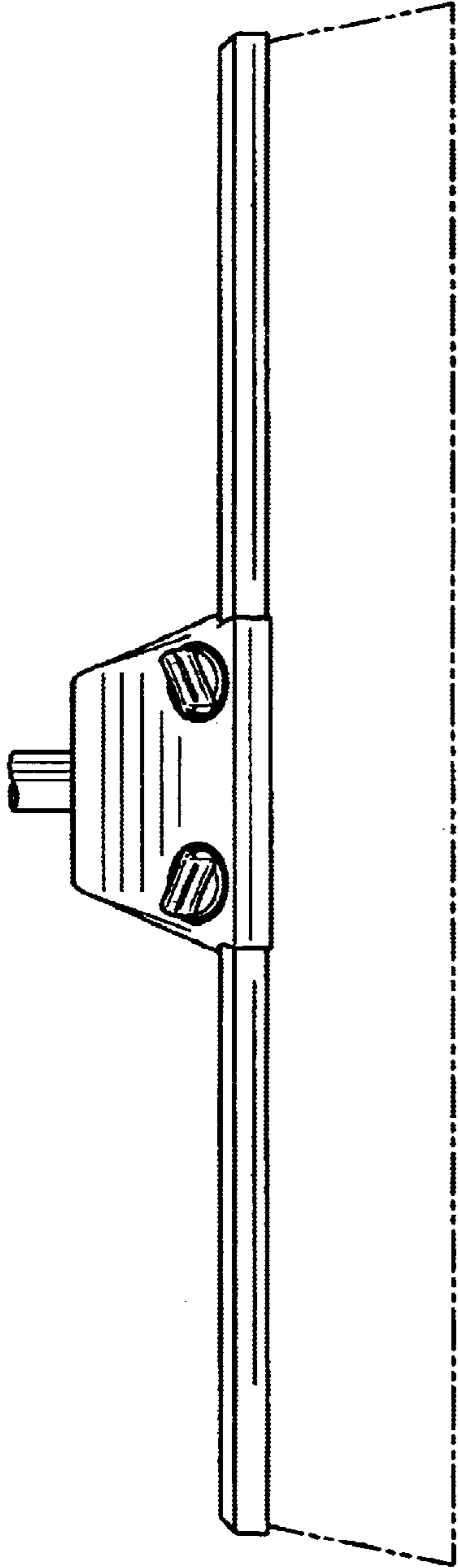


FIG. 1

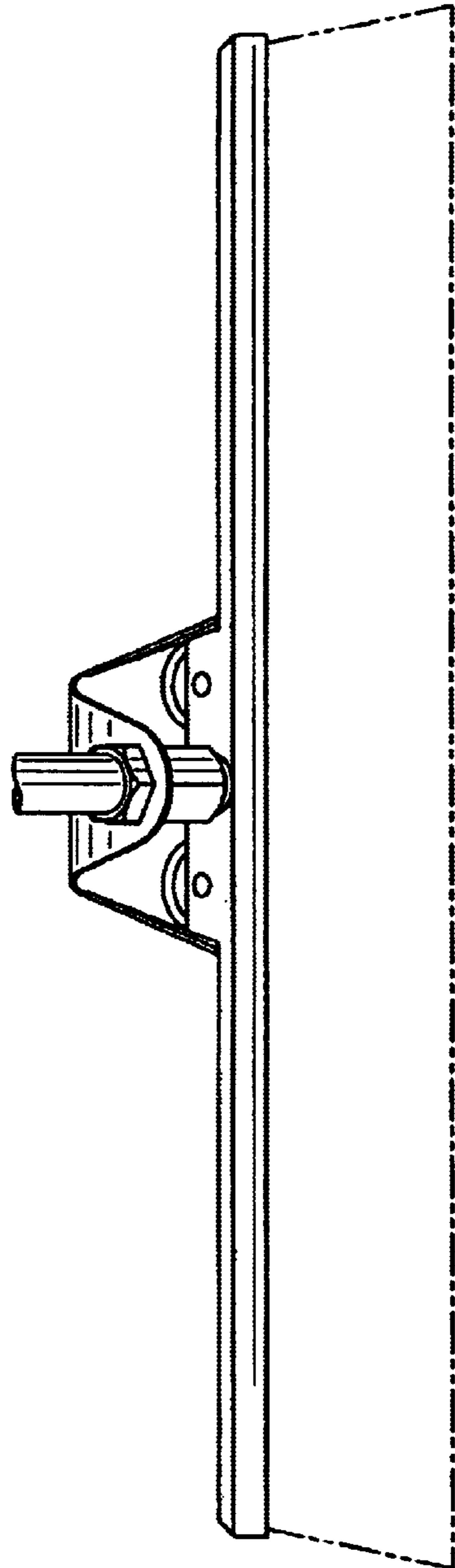


FIG. 2

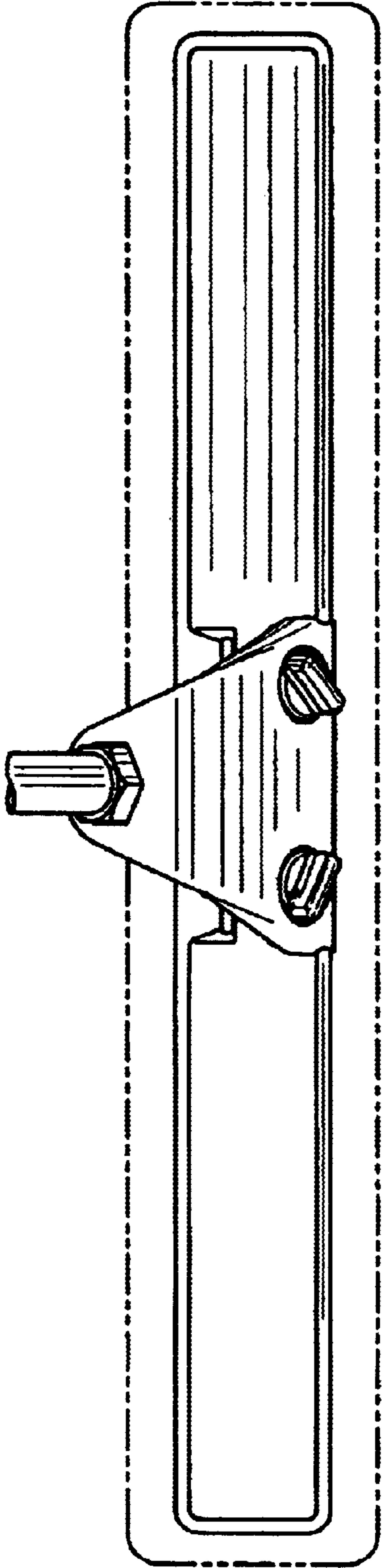


FIG. 3

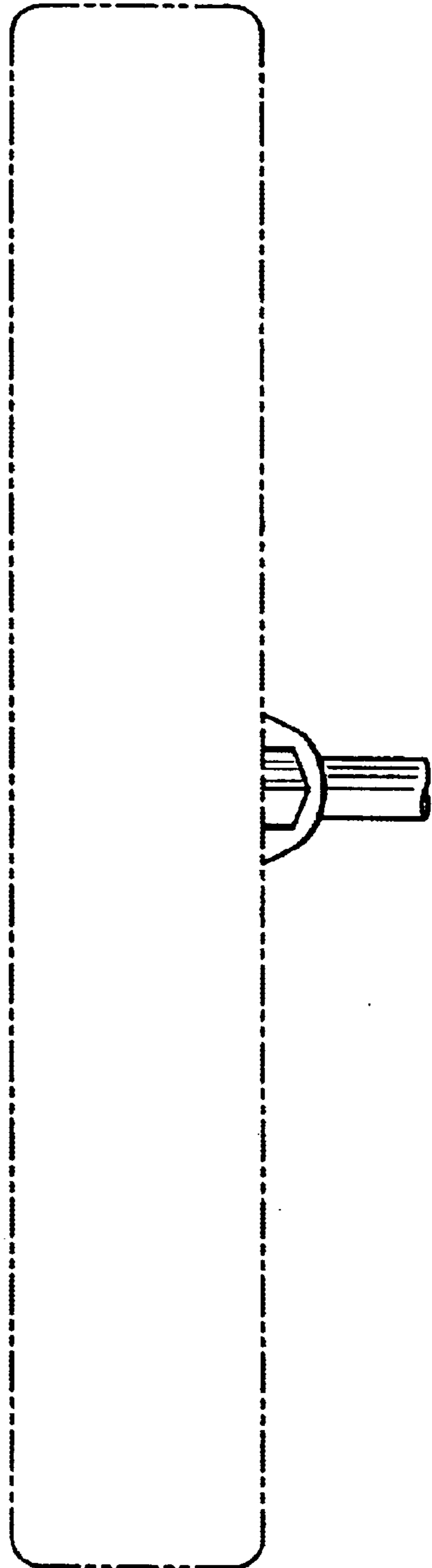


FIG. 4

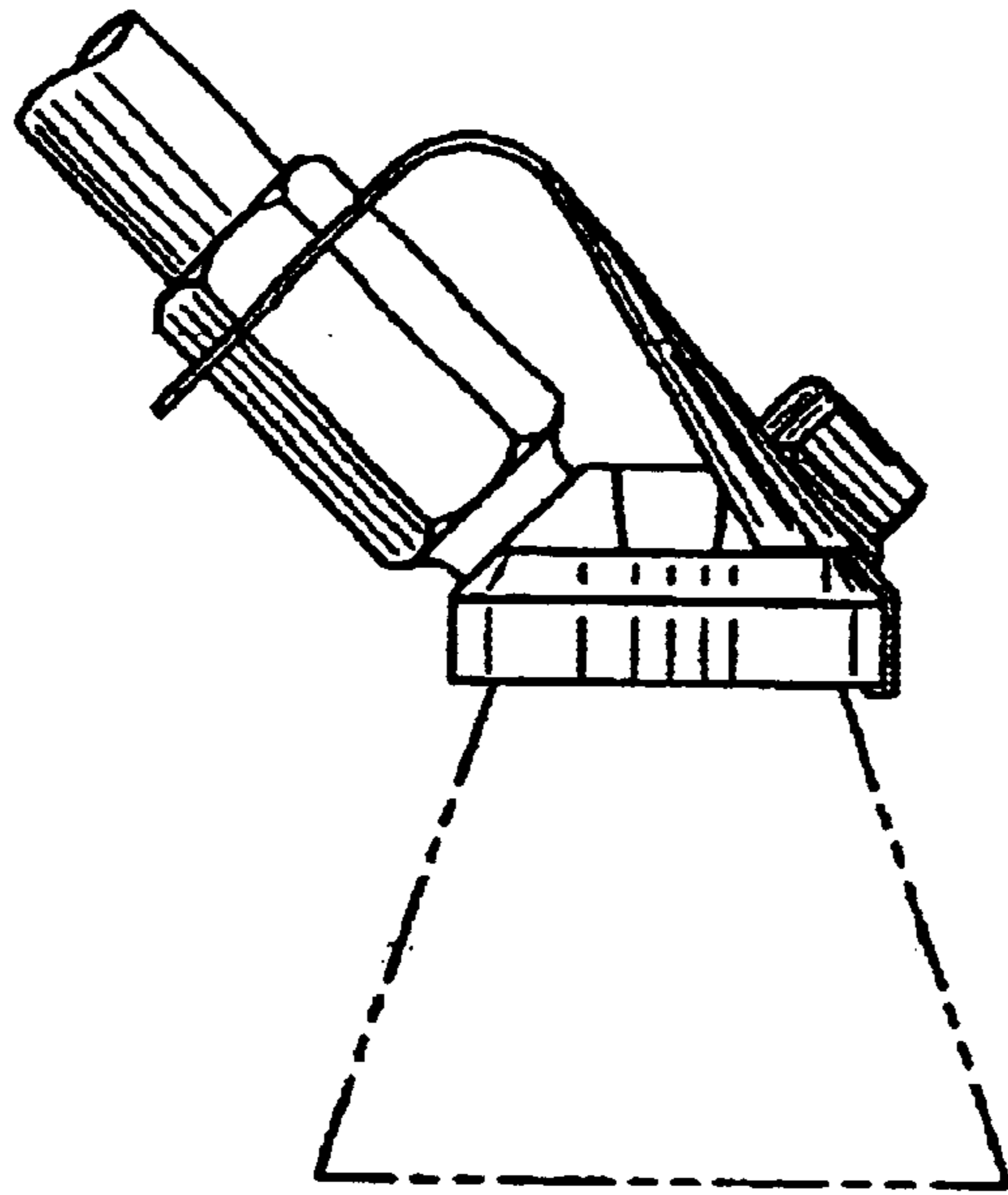


FIG. 5

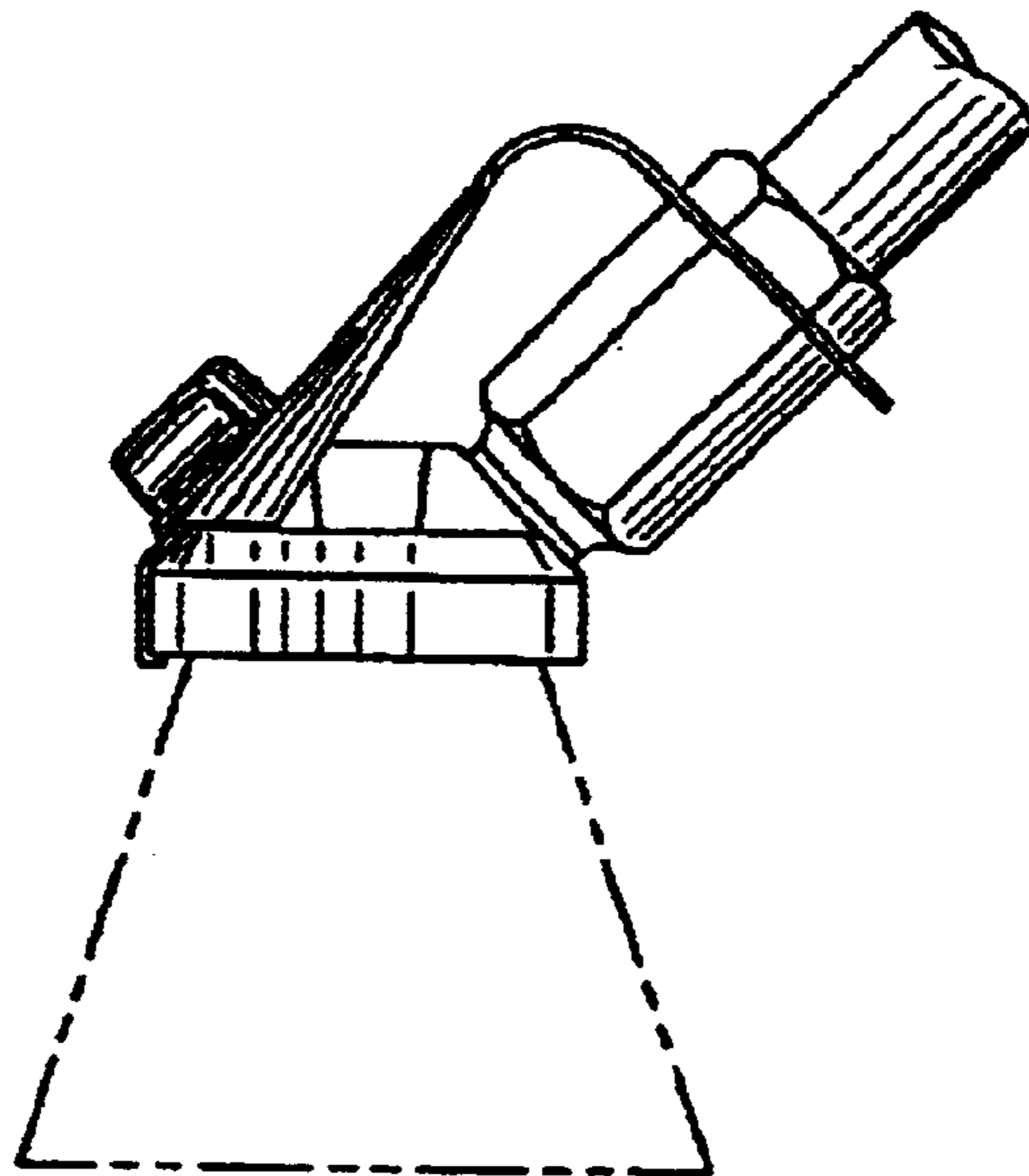


FIG. 6

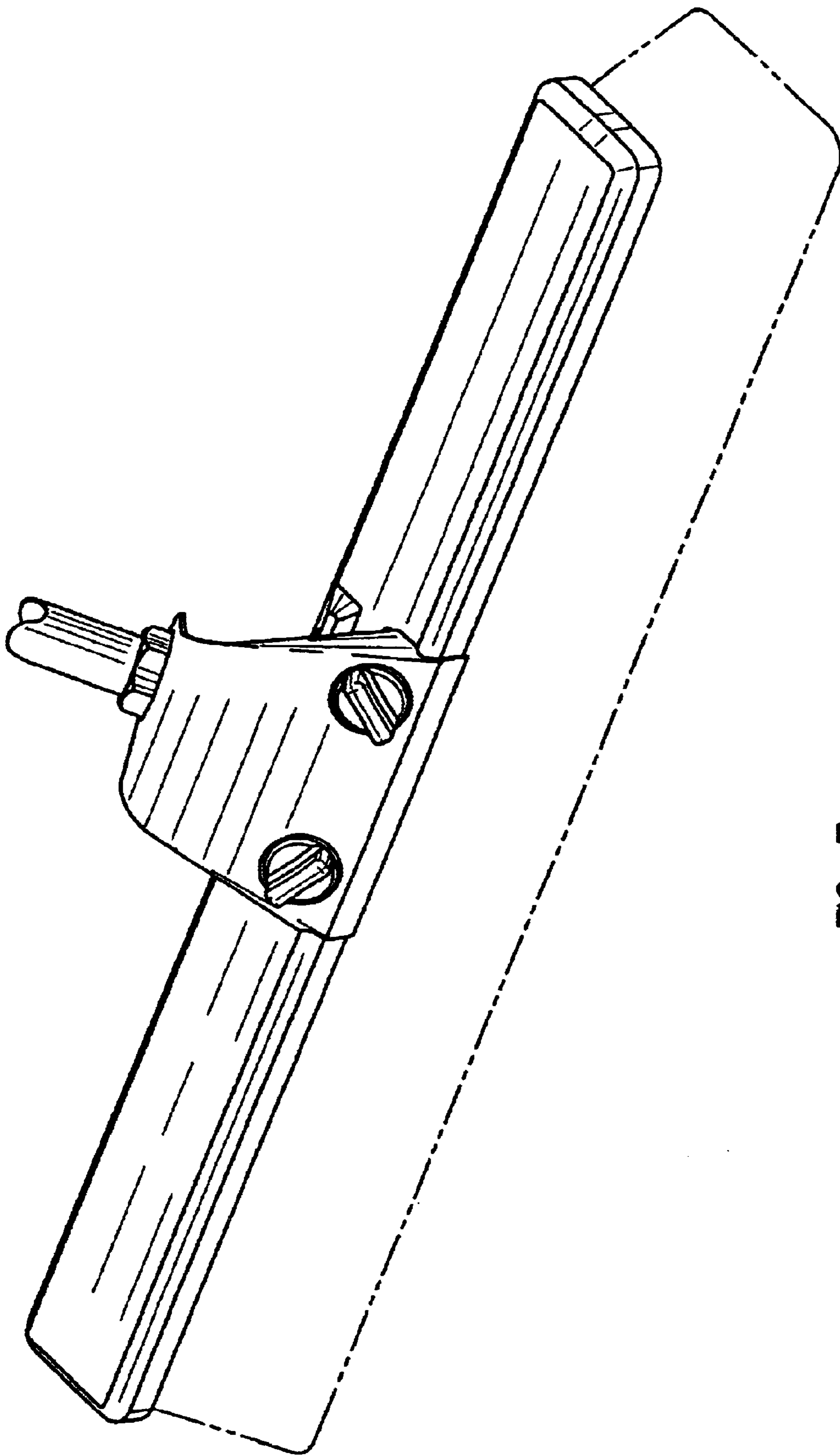


FIG. 7