



US00D487844S

(12) **United States Design Patent**
Nichols

(10) **Patent No.:** **US D487,844 S**

(45) **Date of Patent:** **** Mar. 30, 2004**

(54) **ACCESSORY HOLDER**

(76) Inventor: **Christopher R. Nichols**, 107 Benefit St., Pawtucket, RI (US) 02861

(**) Term: **14 Years**

(21) Appl. No.: **29/177,413**

(22) Filed: **Mar. 10, 2003**

(51) **LOC (7) Cl.** **03-01**

(52) **U.S. Cl.** **D3/215**

(58) **Field of Search** D3/215, 224, 226, D3/228, 218, 206; 224/219, 222, 267, 236, 148.5; 2/170, 38

(56) **References Cited**

U.S. PATENT DOCUMENTS

D256,292 S	*	8/1980	Cox	D3/206
D343,518 S	*	1/1994	Saggese, Jr.	D3/215
D365,677 S	*	1/1996	Dolsey	D3/226
D429,880 S	*	8/2000	McCullough	D3/215
D438,374 S	*	3/2001	Hayman	D3/215
D459,875 S	*	7/2002	Mack et al.	D3/226
6,443,341 B1	*	9/2002	Rittmann	224/219

* cited by examiner

Primary Examiner—Catherine R. Oliver
(74) *Attorney, Agent, or Firm*—Salter & Michaelson

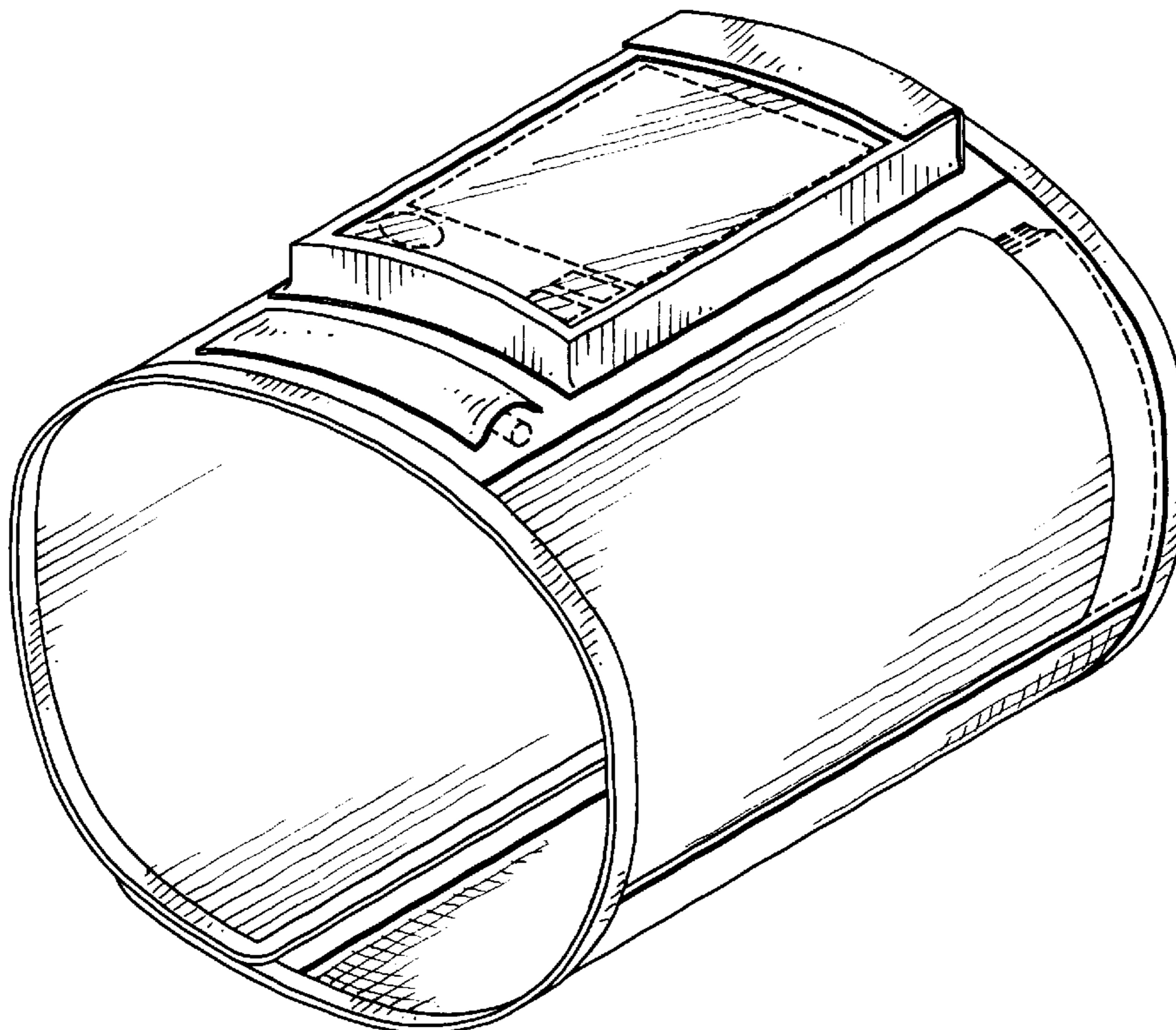
(57) **CLAIM**

The ornamental design for an accessory holder, as shown and described.

DESCRIPTION

FIG. 1 is a perspective view of an accessory holder showing my new design as worn on the user's thigh;
 FIG. 2 perspective view thereof in a closed position;
 FIG. 3 is a perspective view thereof in an open position;
 FIG. 4 is top plan view thereof in an open position;
 FIG. 5 is a bottom plan view thereof in an open position;
 FIG. 6 is a left side elevational view thereof;
 FIG. 7 is a right side elevational view thereof;
 FIG. 8 is an end elevational view thereof;
 FIG. 9 is an opposite end elevational view thereof;
 FIG. 10 is an enlarged cross-sectional view shown along lines 10—10 of FIG. 4; and,
 FIG. 11 is an enlarged cross-sectional view shown along lines 11—11 of FIG. 5.
 The portions shown in broken lines are included for illustrative purpose only and form no part of the claimed design.

1 Claim, 7 Drawing Sheets



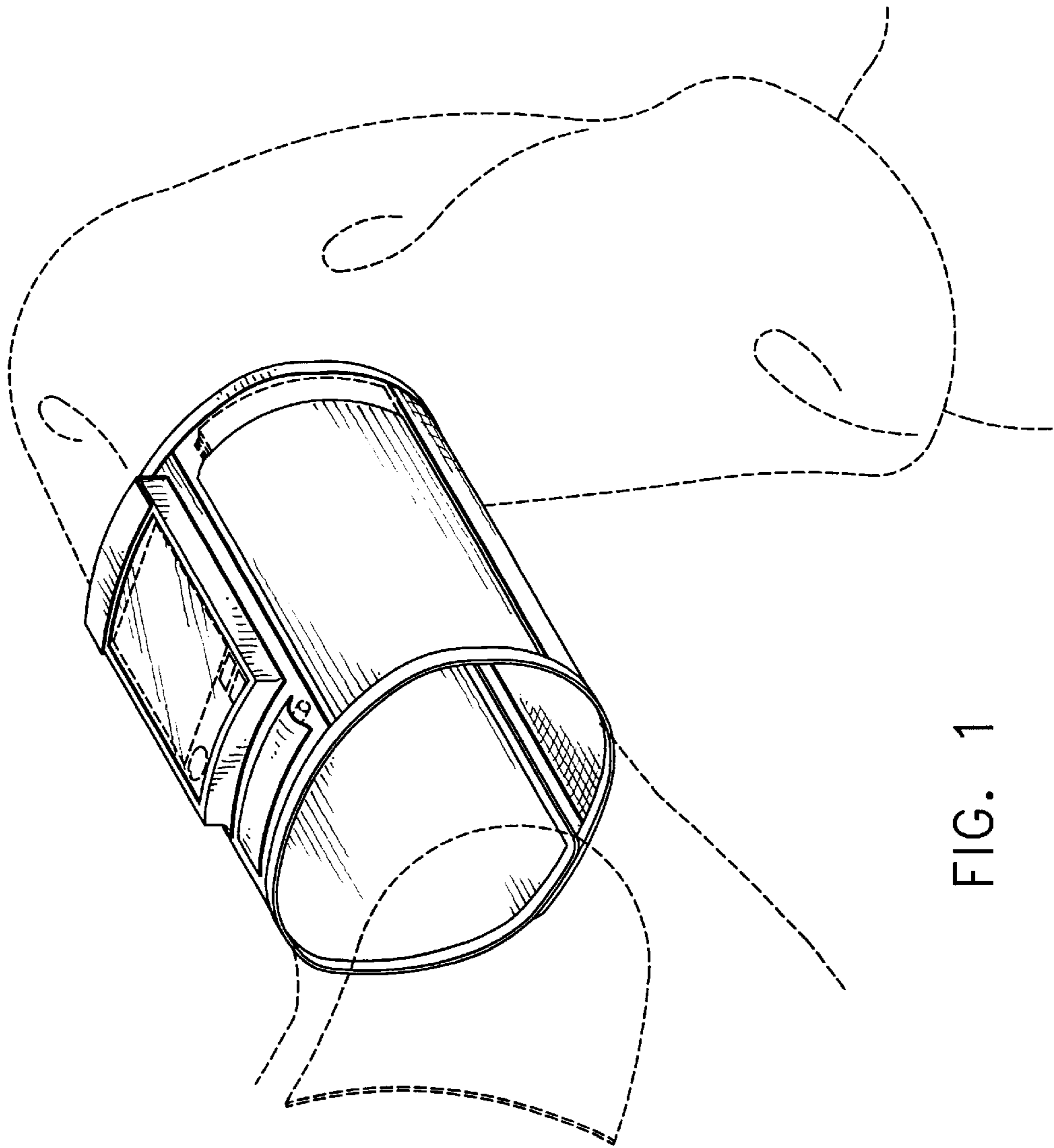


FIG. 1

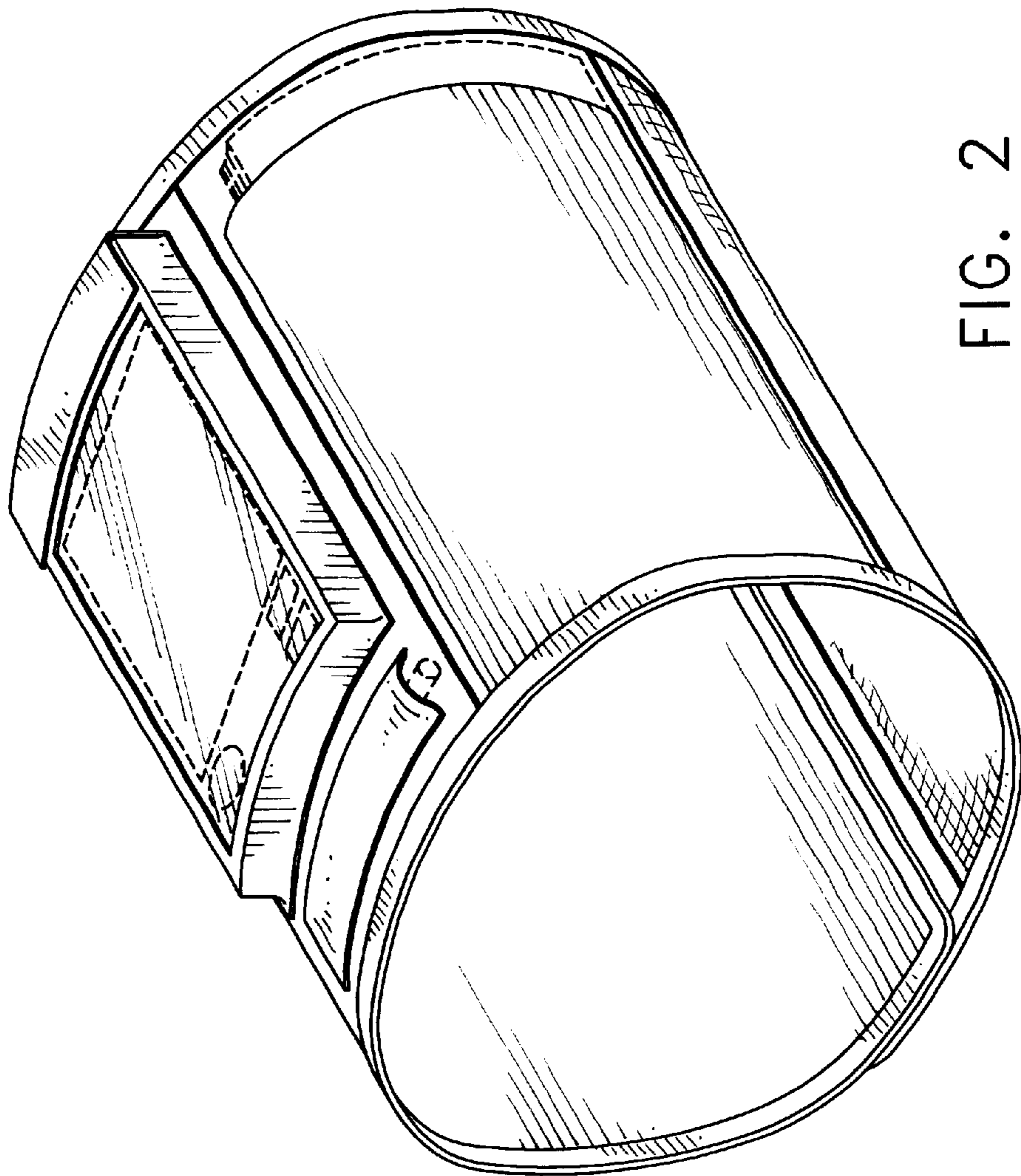


FIG. 2

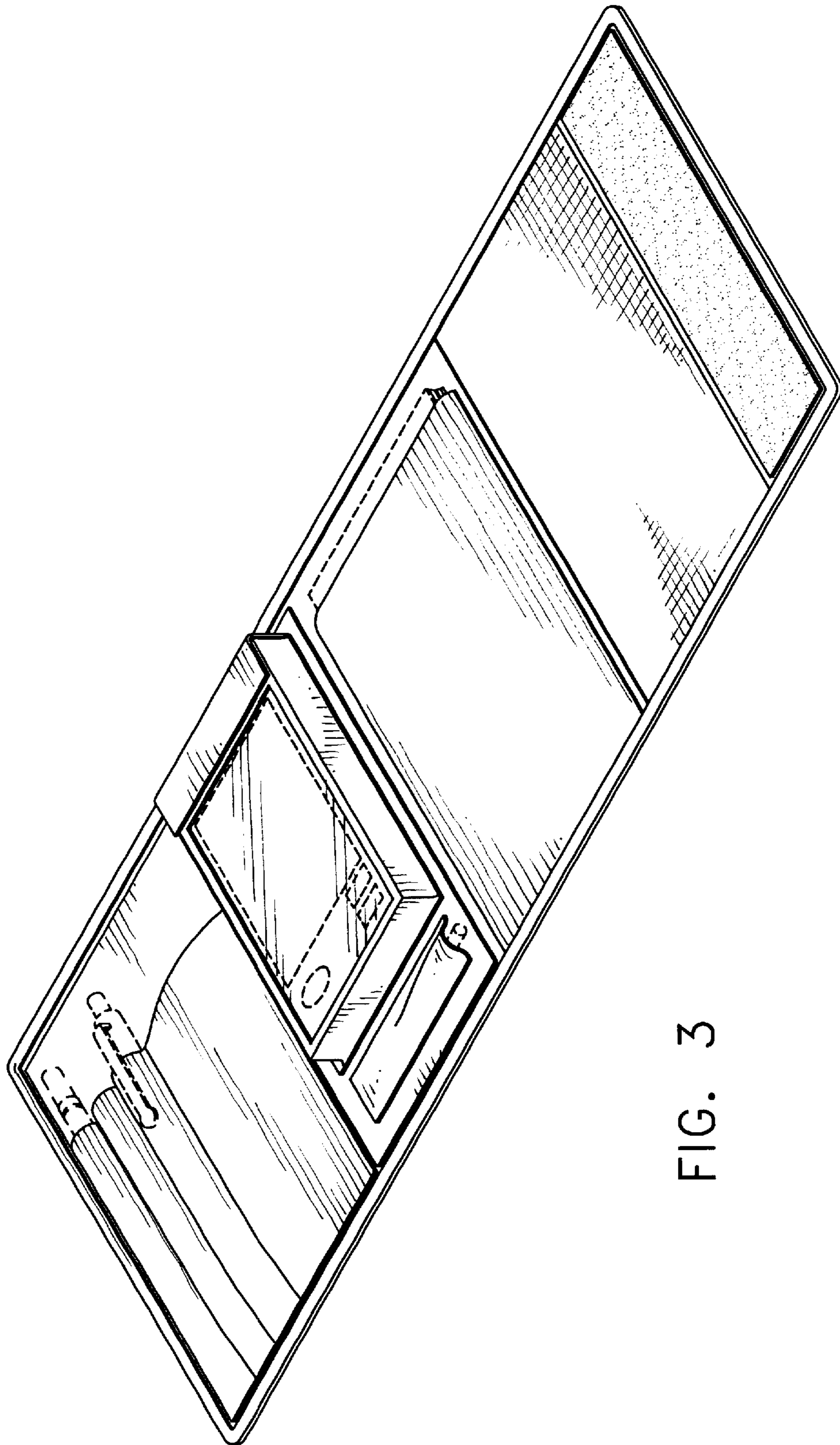


FIG. 3

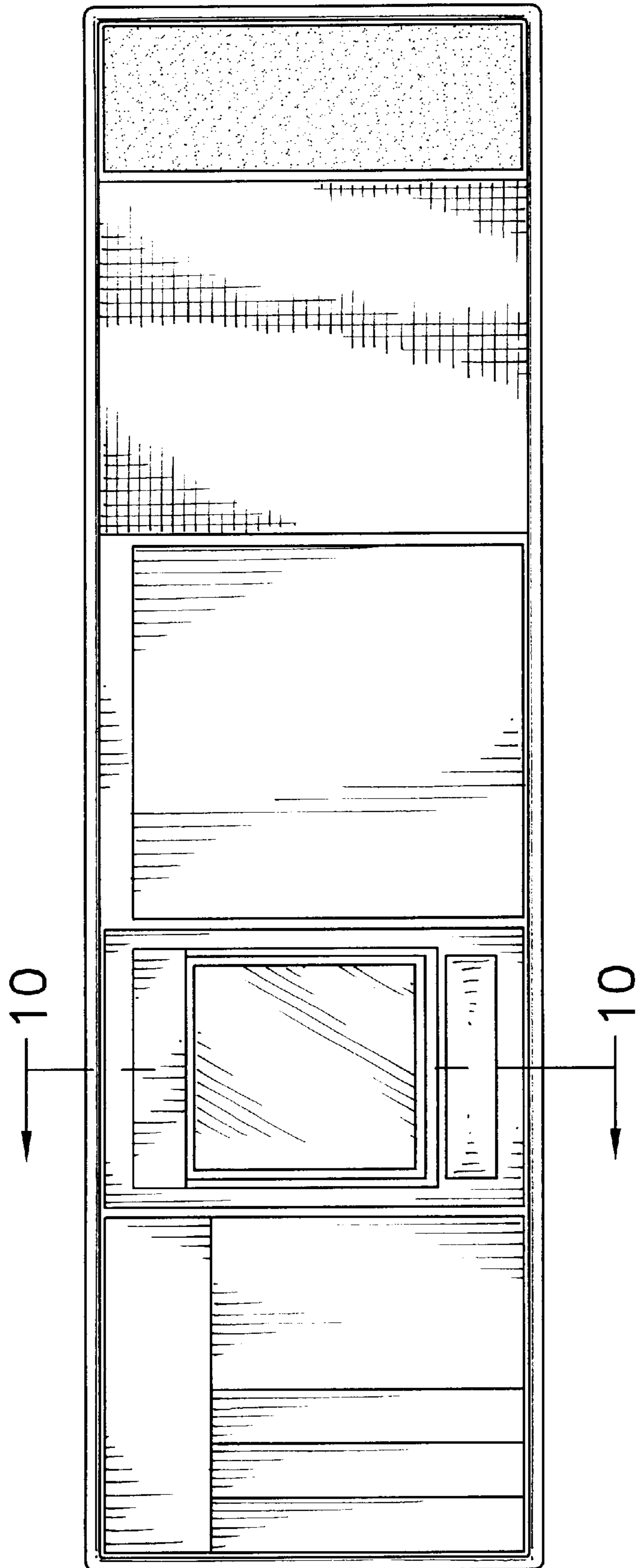


FIG. 4

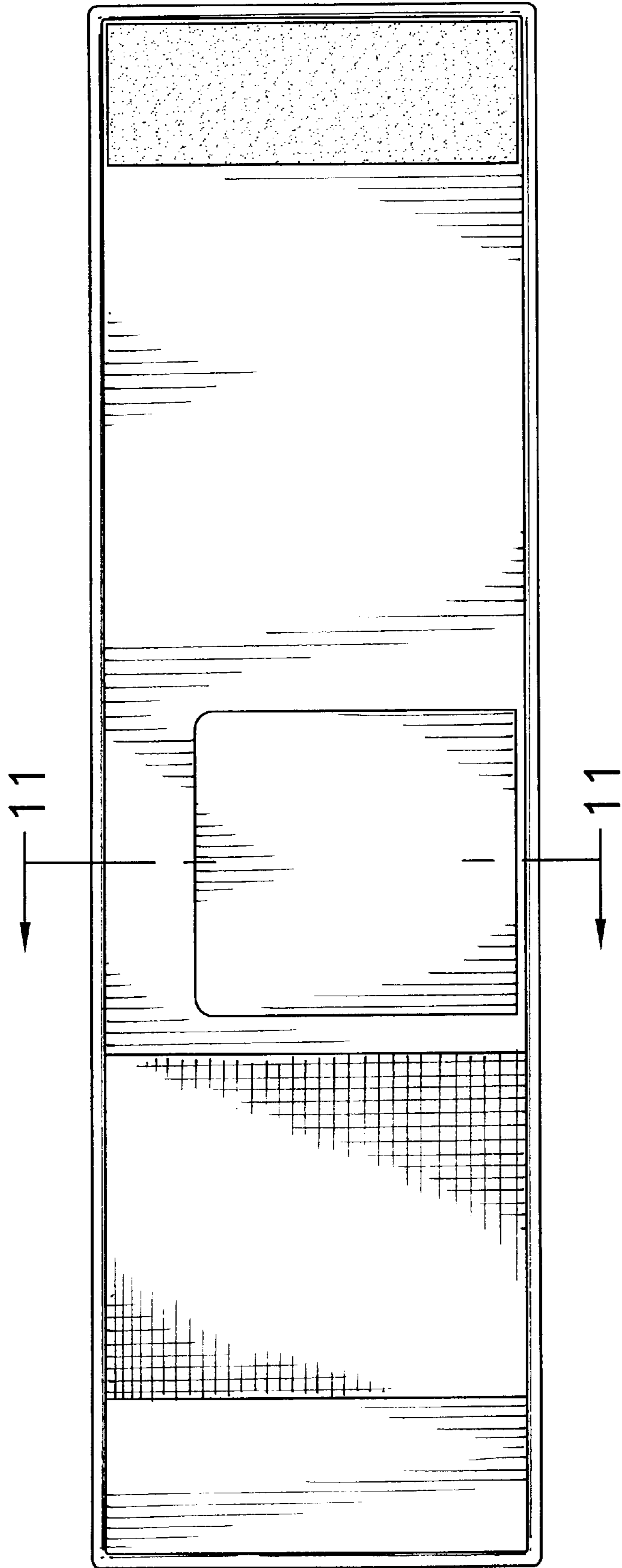


FIG. 5

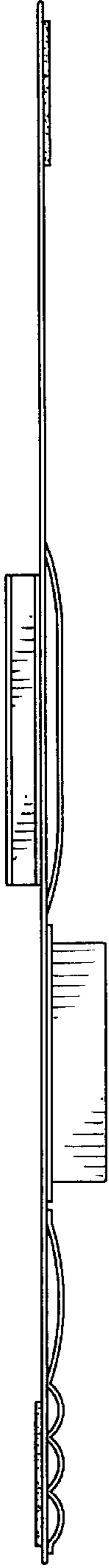


FIG. 6

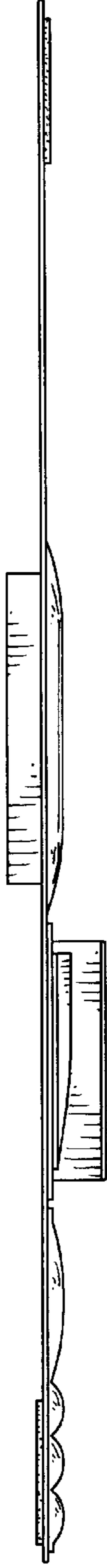


FIG. 7

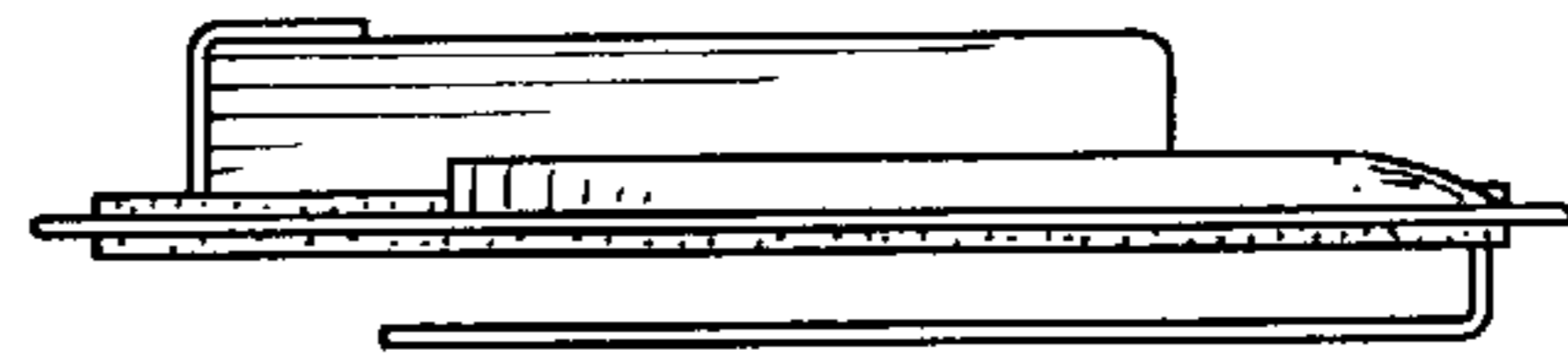


FIG. 8

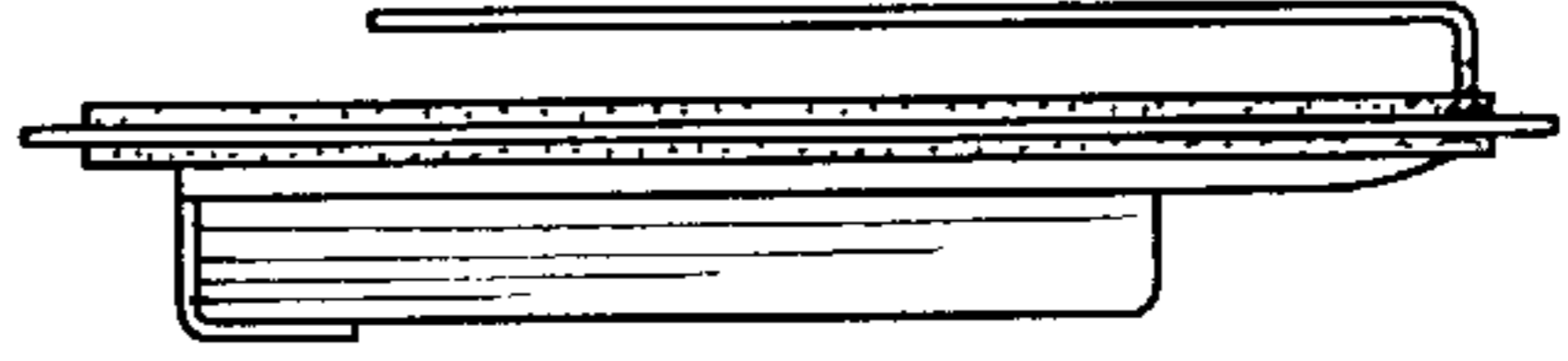


FIG. 9

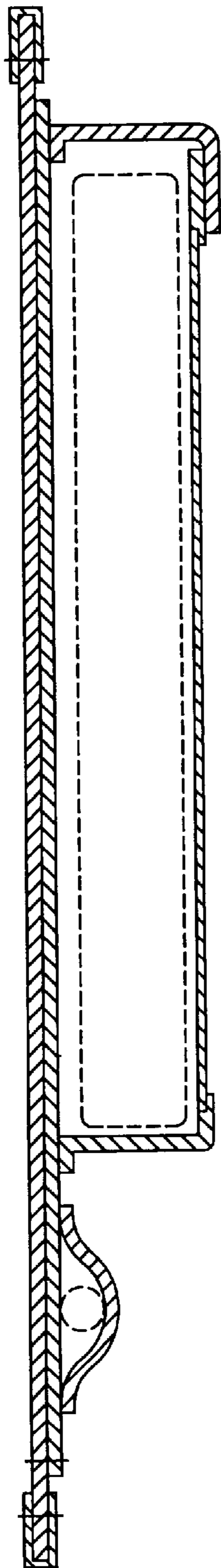


FIG. 10

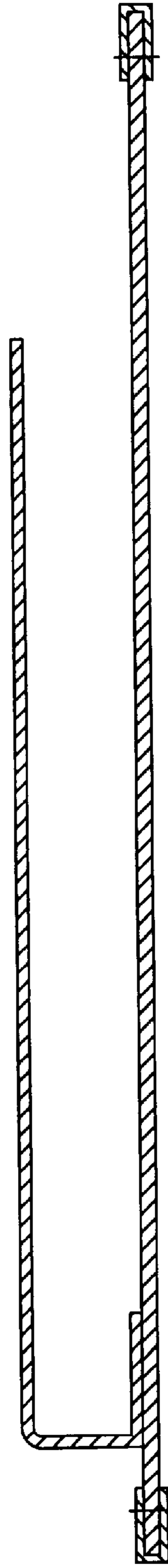


FIG. 11