



US00D487838S

(12) **United States Design Patent**
McClaskie

(10) **Patent No.:** **US D487,838 S**

(45) **Date of Patent:** **** Mar. 30, 2004**

(54) **OUTSOLE**

D467,061 S * 12/2002 Della Valle D2/954
D471,695 S * 3/2003 Della Valle D2/956

(75) Inventor: **Thomas E. McClaskie**, Bethlehem, PA
(US)

* cited by examiner

(73) Assignee: **Columbia Insurance Company**,
Omaha, NE (US)

Primary Examiner—Celia Murphy
(74) *Attorney, Agent, or Firm*—St. Onge Steward Johnston
& Reens LLC

(**) Term: **14 Years**

(57) **CLAIM**

(21) Appl. No.: **29/175,236**

I claim the ornamental design for outsole, as shown and described in the drawings.

(22) Filed: **Jan. 31, 2003**

DESCRIPTION

(51) **LOC (7) Cl.** **02-04**

(52) **U.S. Cl.** **D2/954; D2/951**

(58) **Field of Search** D2/946–949, 951–960;
36/3 B, 22 R, 25 R, 30 R, 32 A, 32 R,
59 R, 67 A, 67 B

FIG. 1 is a bottom view of an outsole in accordance with the new design;

FIG. 2 is a left side view of the outsole in accordance with the embodiment of the new design shown in FIG. 1;

FIG. 3 is a right side view of the outsole in accordance with the embodiment of the new design shown in FIG. 1;

FIG. 4 is a back view of the outsole in accordance with the embodiment of the new design shown in FIG. 1; and,

FIG. 5 is a front view of the outsole in accordance with the embodiment of the new design shown in FIG. 1.

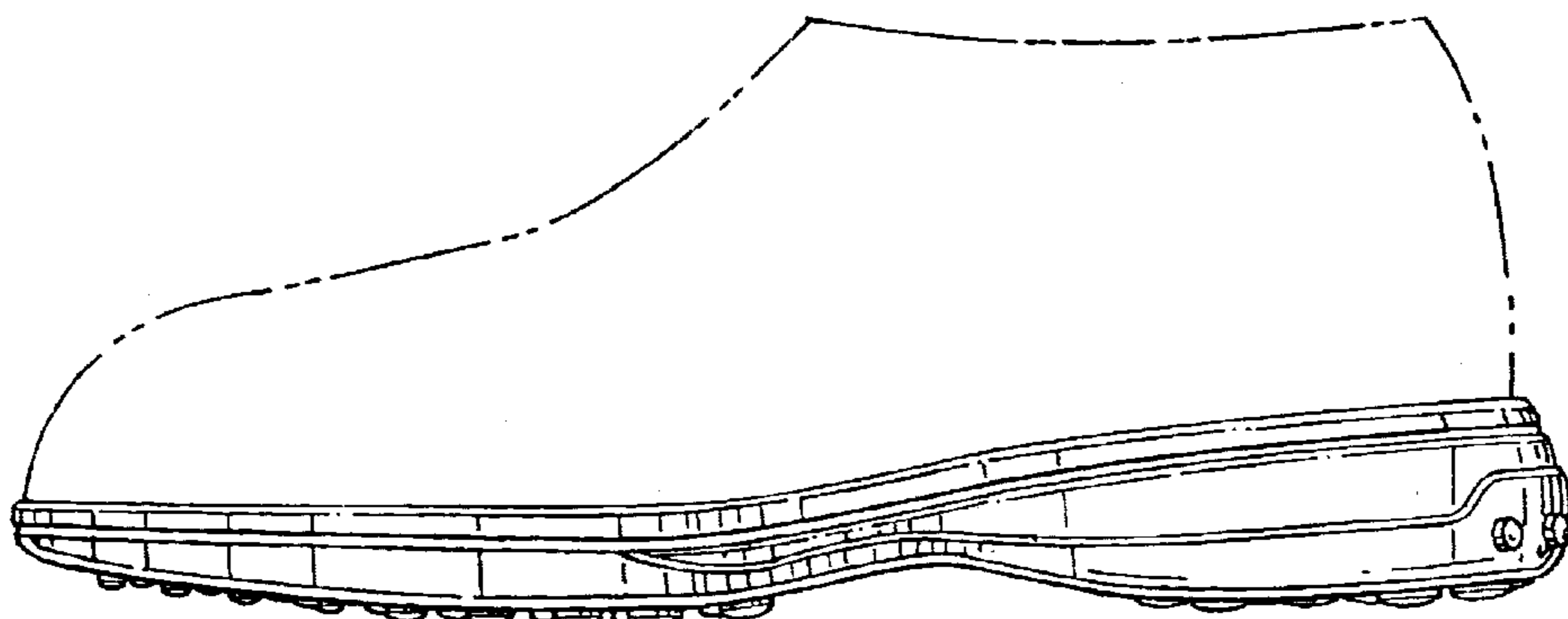
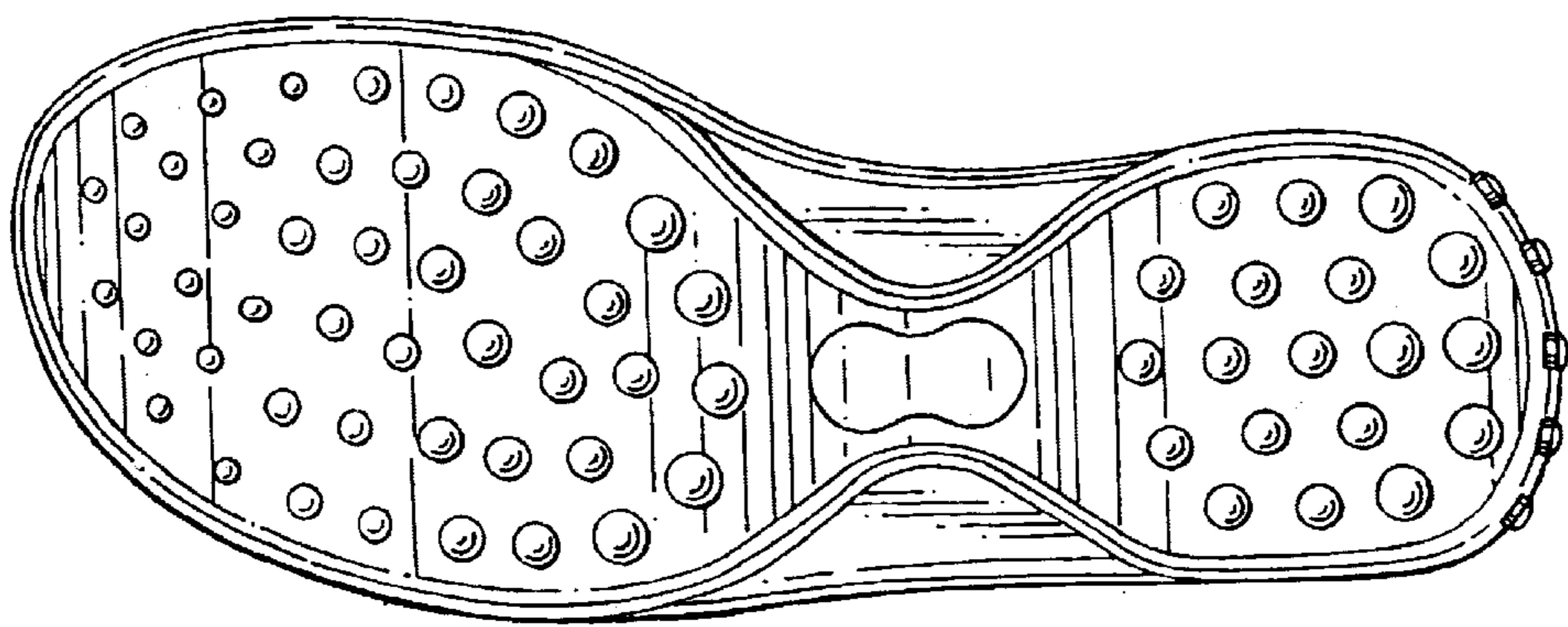
The broken lines showing a shoe upper in FIGS. 2 through 5 illustrate the environment in which the design resides, and form no part of the claim.

(56) **References Cited**

U.S. PATENT DOCUMENTS

- D206,222 S * 11/1966 Mostile
- 4,223,456 A * 9/1980 Cohen 36/29
- D401,745 S * 12/1998 Greenberg D2/957
- D415,607 S * 10/1999 Merceron D2/952
- D424,792 S * 5/2000 Briand D2/955
- D441,945 S * 5/2001 Della Valle D2/956
- D442,767 S * 5/2001 Della Valle D2/954
- D448,544 S * 10/2001 Della Valle D2/954

1 Claim, 2 Drawing Sheets



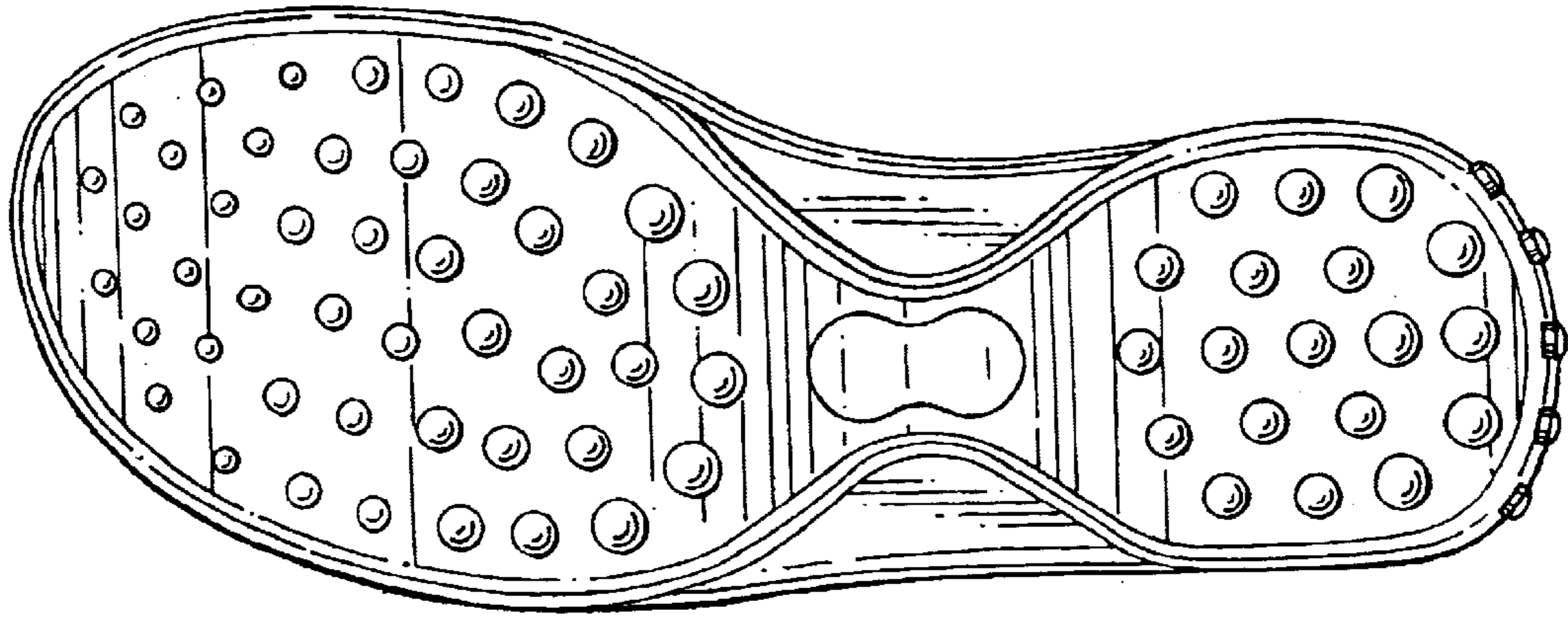


FIG. 1

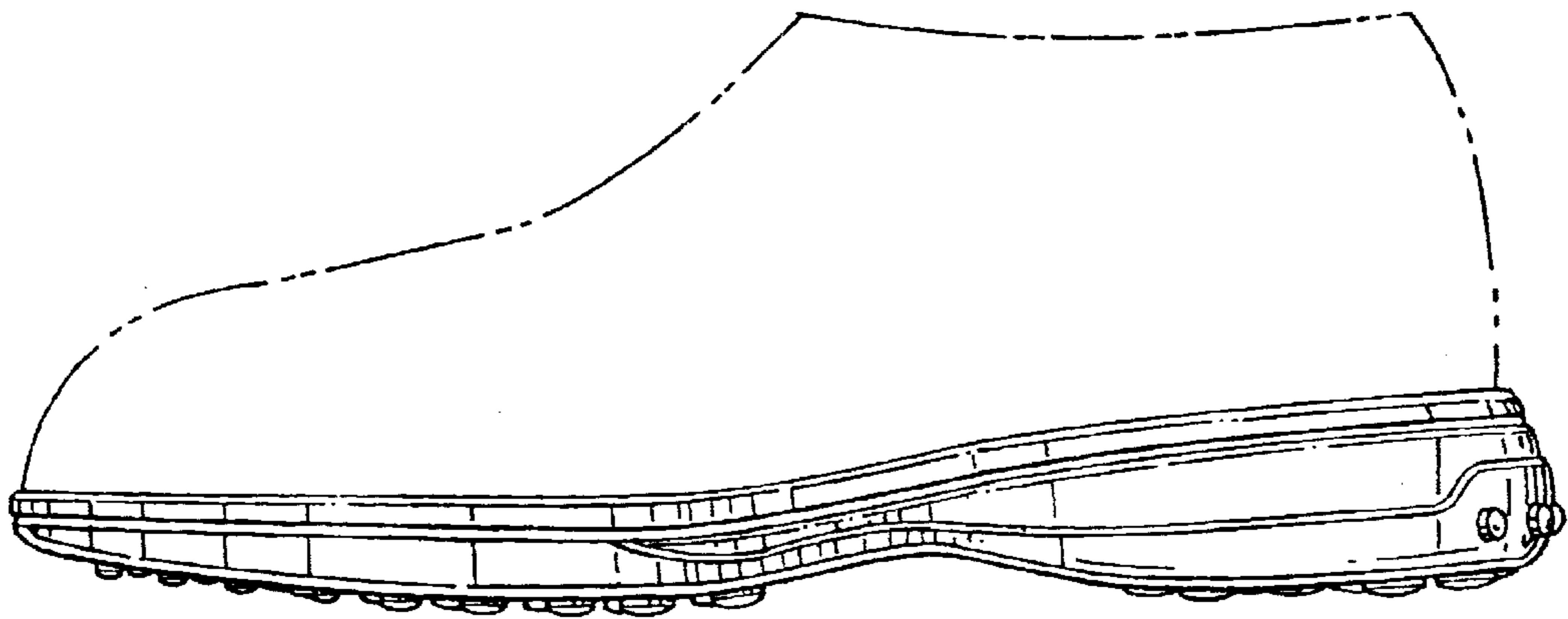


FIG. 2

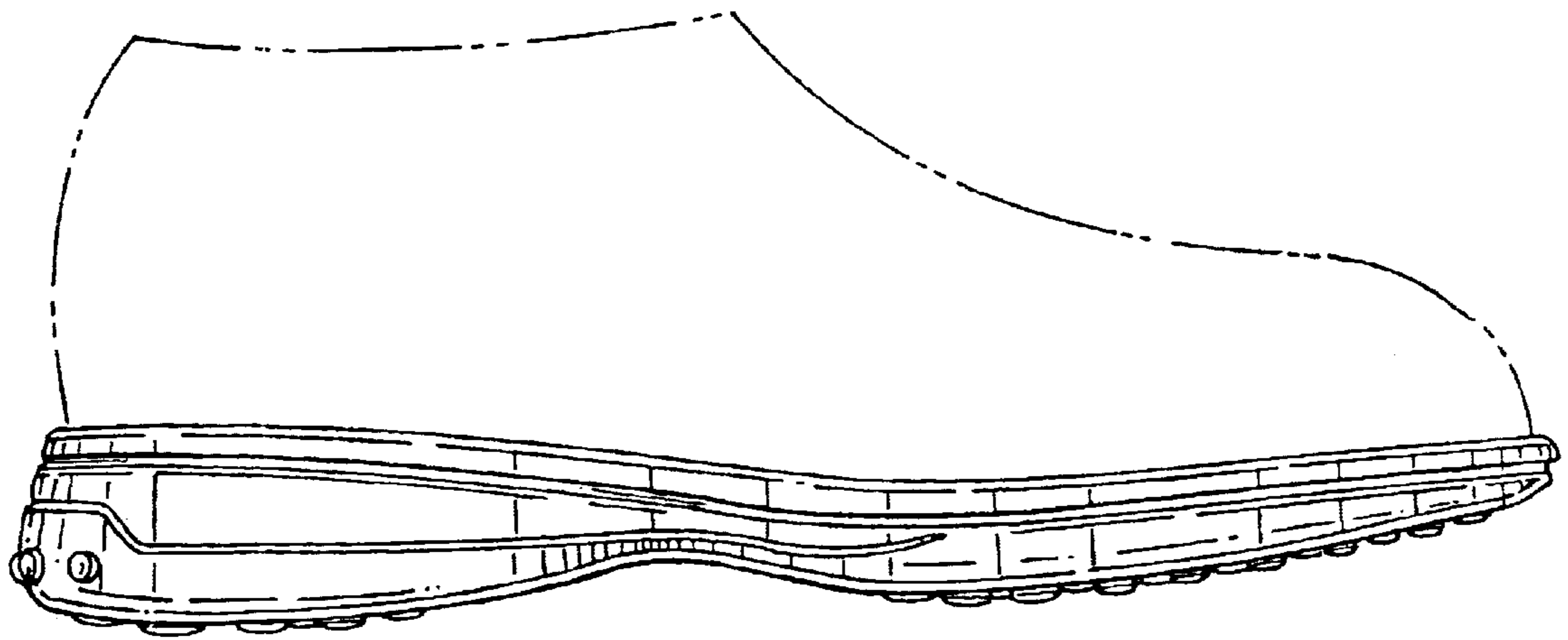


FIG. 3

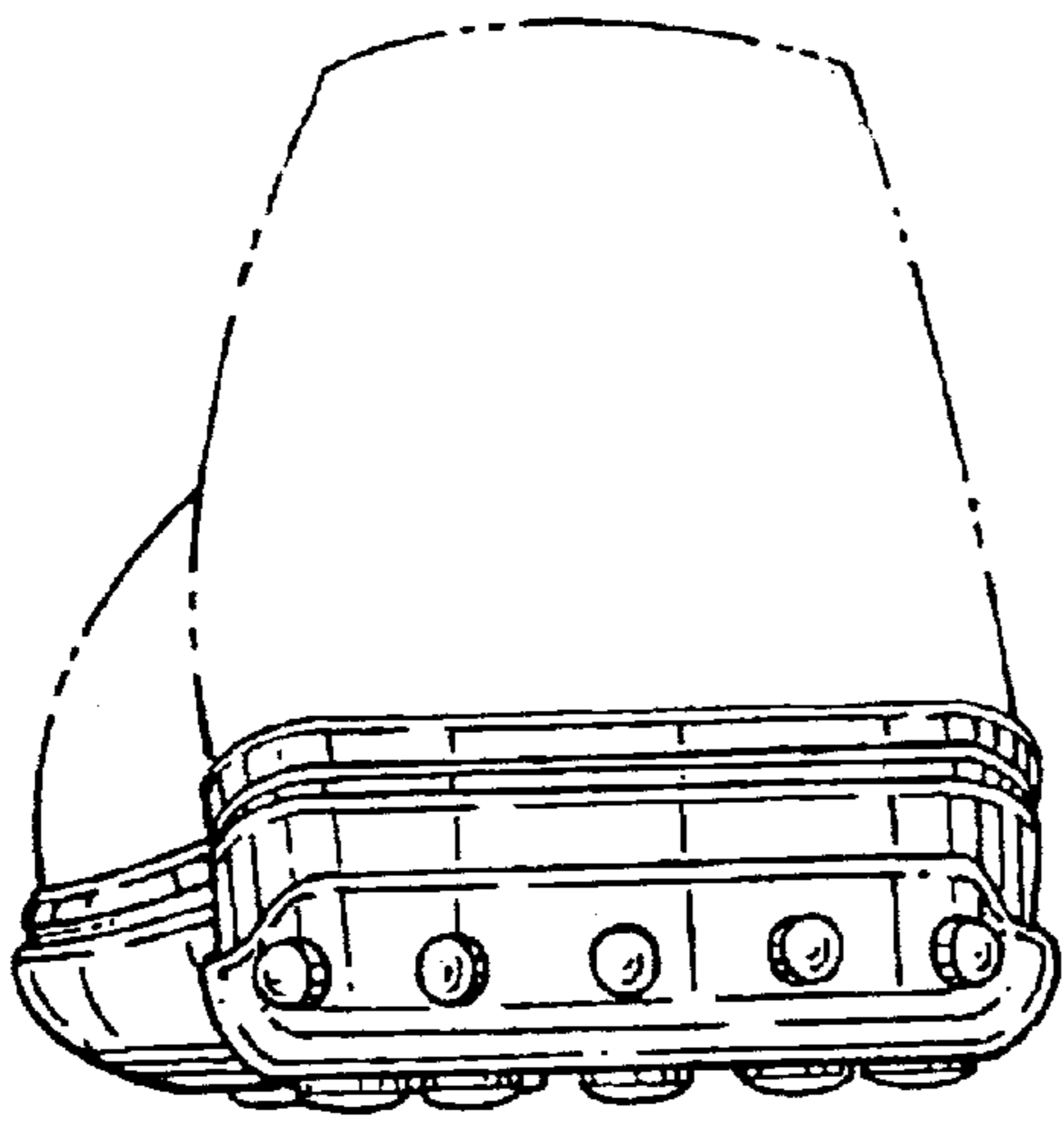


FIG. 4

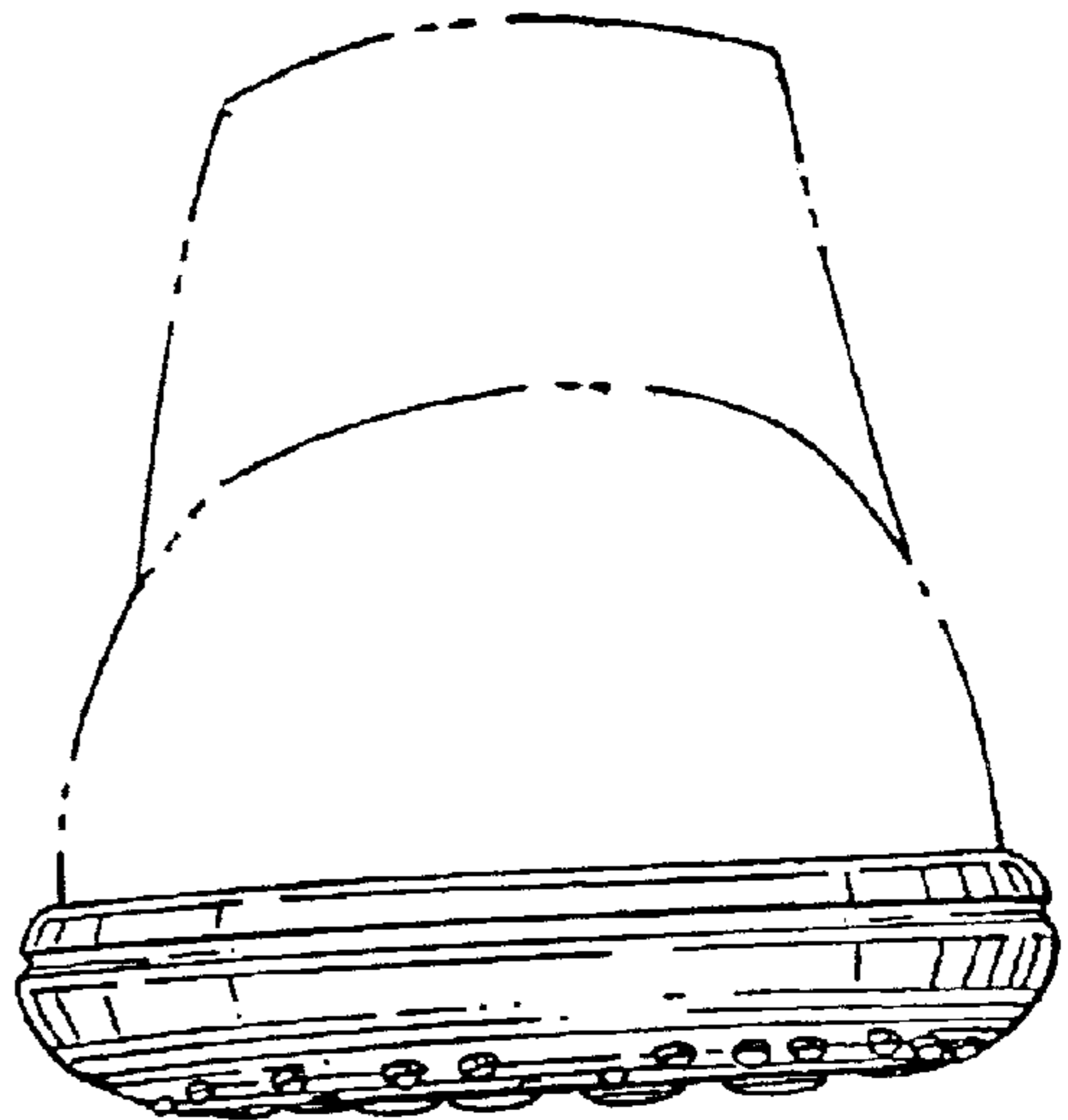


FIG. 5