



US00D487831S

(12) **United States Design Patent**
Savoie

(10) **Patent No.:** **US D487,831 S**

(45) **Date of Patent:** **** Mar. 23, 2004**

(54) **COMBINED CLOTHING STAND AND DRIER**

D398,469 S * 9/1998 Leong et al. D6/552
5,862,924 A * 1/1999 Dumont 211/85.7

(76) Inventor: **Patrice Savoie**, 3756 Adam, Montreal,
QC (CA), H1W 1Z4

* cited by examiner

(**) Term: **14 Years**

Primary Examiner—Alan P. Douglas
Assistant Examiner—Lavone D. Tabor

(21) Appl. No.: **29/182,802**

(57) **CLAIM**

(22) Filed: **Jun. 3, 2003**

The ornamental design for a combined clothing stand and drier, as shown and described.

(51) **LOC (7) Cl.** **07-05**

(52) **U.S. Cl.** **D32/58**

(58) **Field of Search** D32/58, 59; D6/410,
D6/411, 462, 552; 211/30, 33, 85.7, 182,
196, 204, 205; 248/127, 158

DESCRIPTION

FIG. 1 is a rear perspective view of a combined clothing stand and drier showing my new design;
FIG. 2 is a top plan view thereof;
FIG. 3 is a front elevation view thereof; and,
FIG. 4 is a elevation view, the opposite side being a mirror image.

(56) **References Cited**

U.S. PATENT DOCUMENTS

D339,667 S * 9/1993 Fitzpatrick D32/58
5,377,849 A * 1/1995 Martin 211/85.7

1 Claim, 2 Drawing Sheets

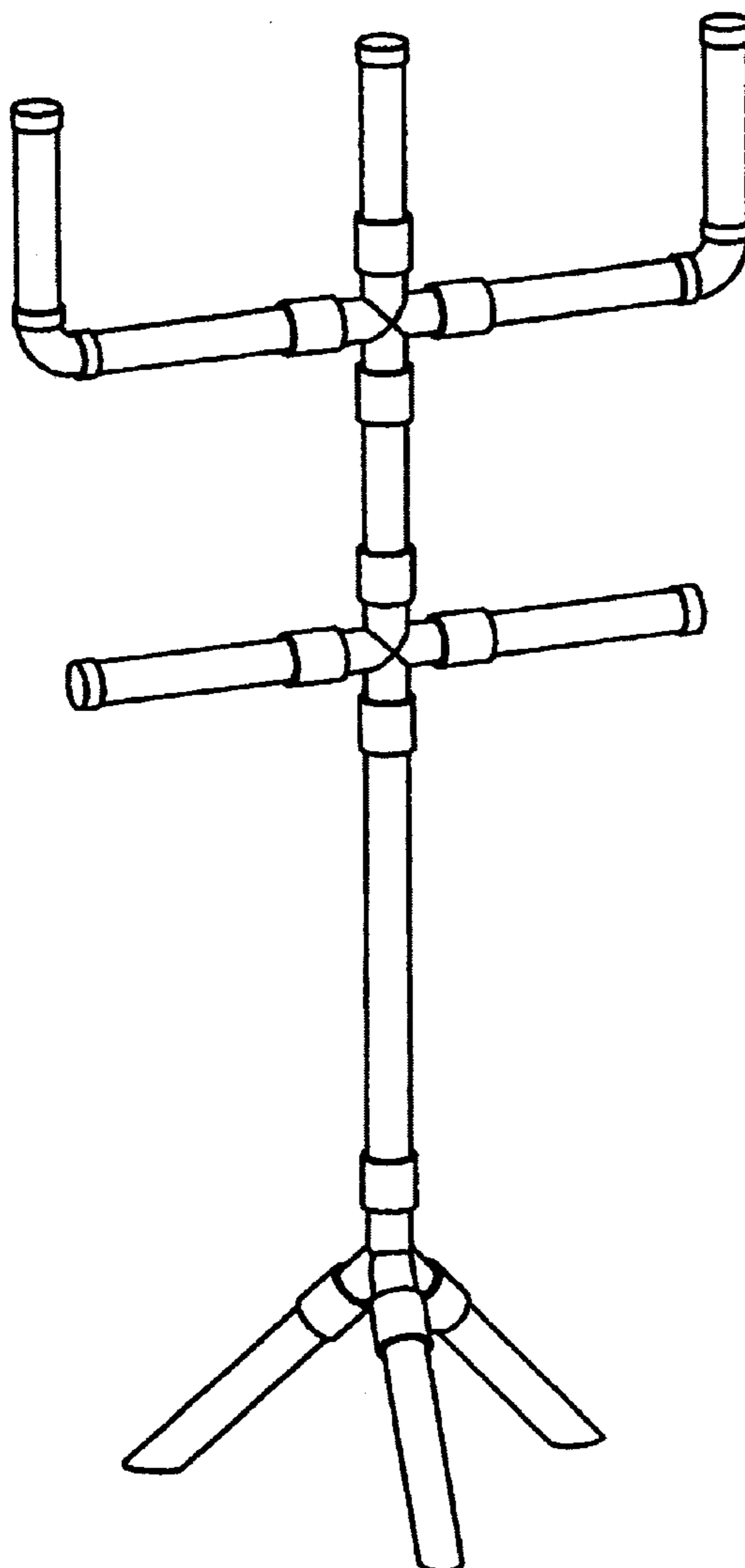


FIG. 1

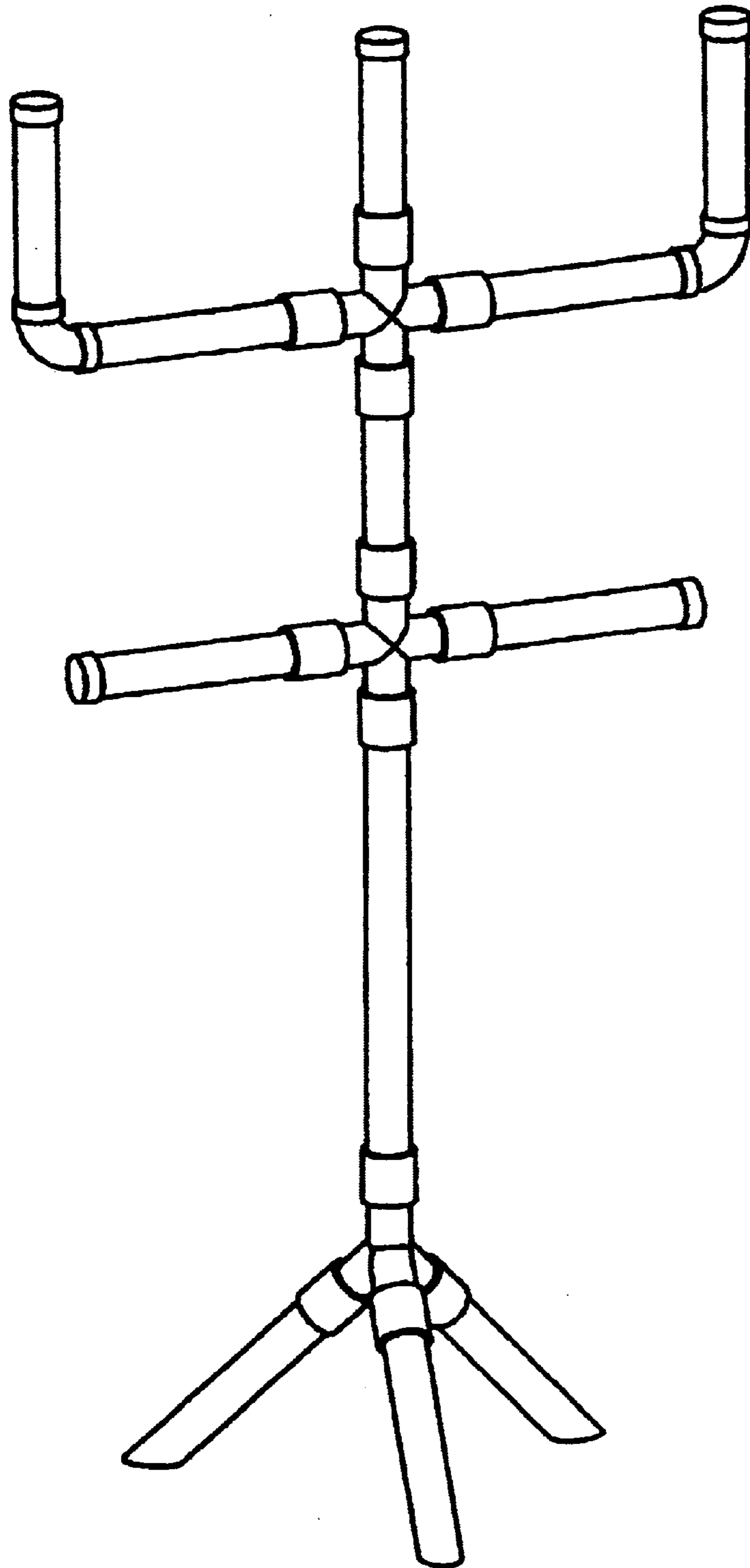


FIG. 2

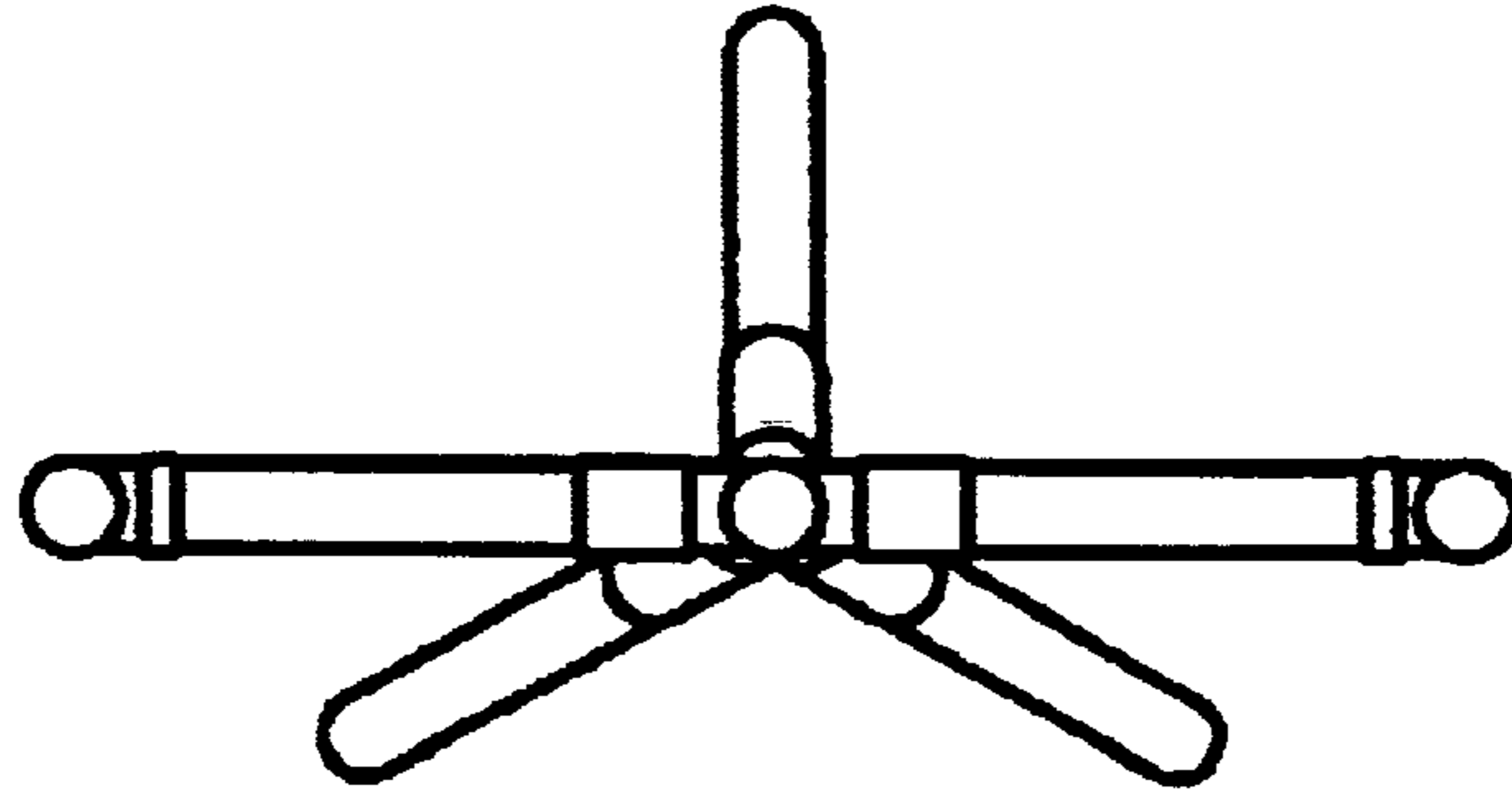


FIG. 3

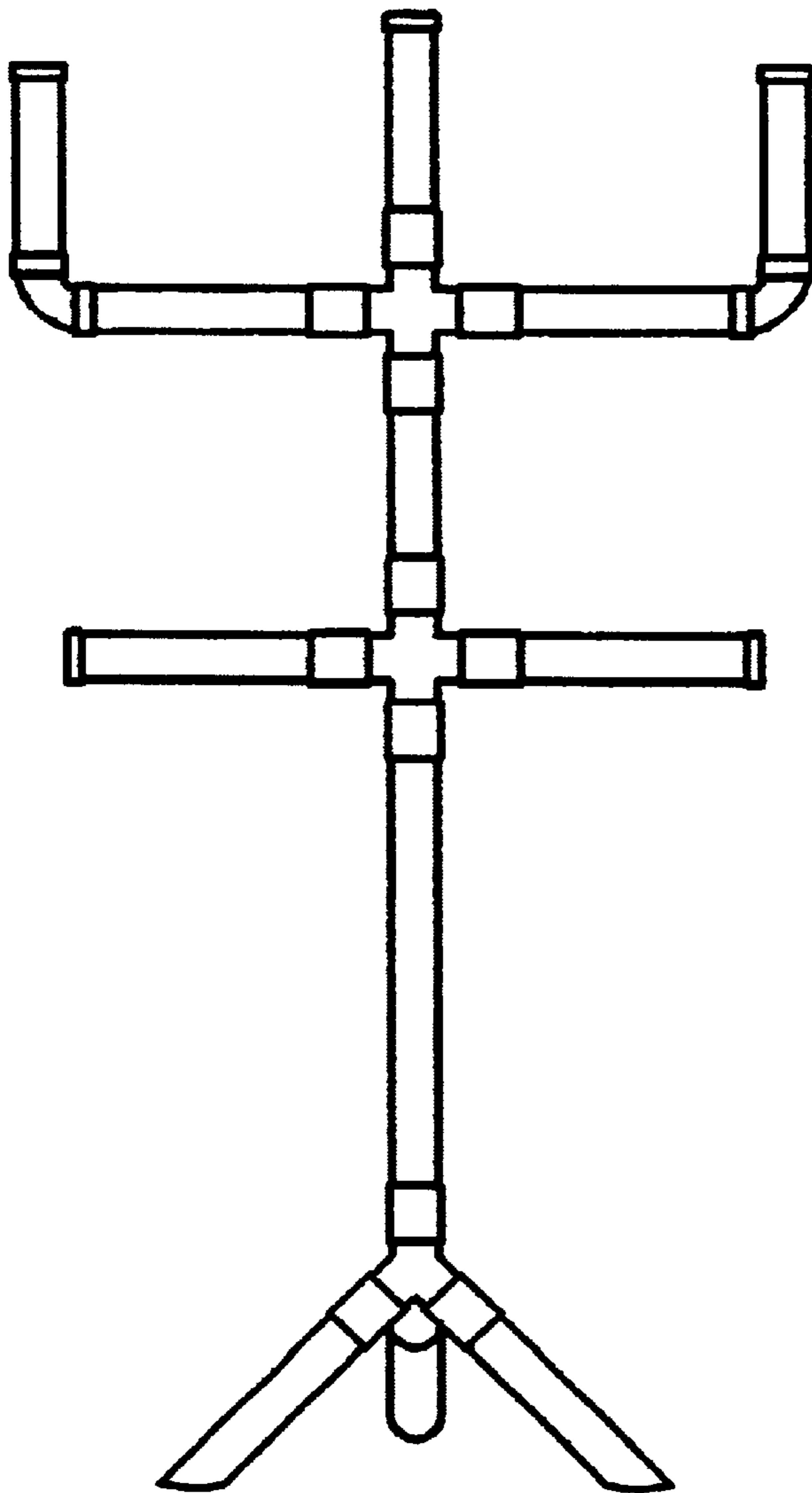


FIG. 4

