



US00D487829S

(12) **United States Design Patent**
Leet

(10) **Patent No.:** **US D487,829 S**

(45) **Date of Patent:** **** Mar. 23, 2004**

(54) **CLEANING DEVICE FOR MOTORCYCLE DISC BRAKE**

4,827,555 A * 5/1989 Fruit et al. 15/160
4,989,696 A 2/1991 Buell
5,249,650 A 10/1993 Tanaka

(76) **Inventor:** **Lawrence K. Leet**, 1201 Laurelhurst Dr., Eugene, OR (US) 97402-1553

* cited by examiner

(**) **Term:** **14 Years**

Primary Examiner—Alan P. Douglas

Assistant Examiner—Lavone D. Tabor

(21) **Appl. No.:** **29/181,727**

(74) *Attorney, Agent, or Firm*—Donald R. Schoonover

(22) **Filed:** **May 16, 2003**

(57) **CLAIM**

(51) **LOC (7) Cl.** **08-99**

I claim the ornamental design for a cleaning device for motorcycle disc brake, as shown and described.

(52) **U.S. Cl.** **D32/35; D4/120**

DESCRIPTION

(58) **Field of Search** D4/119, 120, 130;
D32/35, 47; 15/104.001, 106, 159.1, 160,
220.3, 220.4; 188/71.1, 71.3, 72.5; 451/63,
254, 261, 262, 290, 393, 486

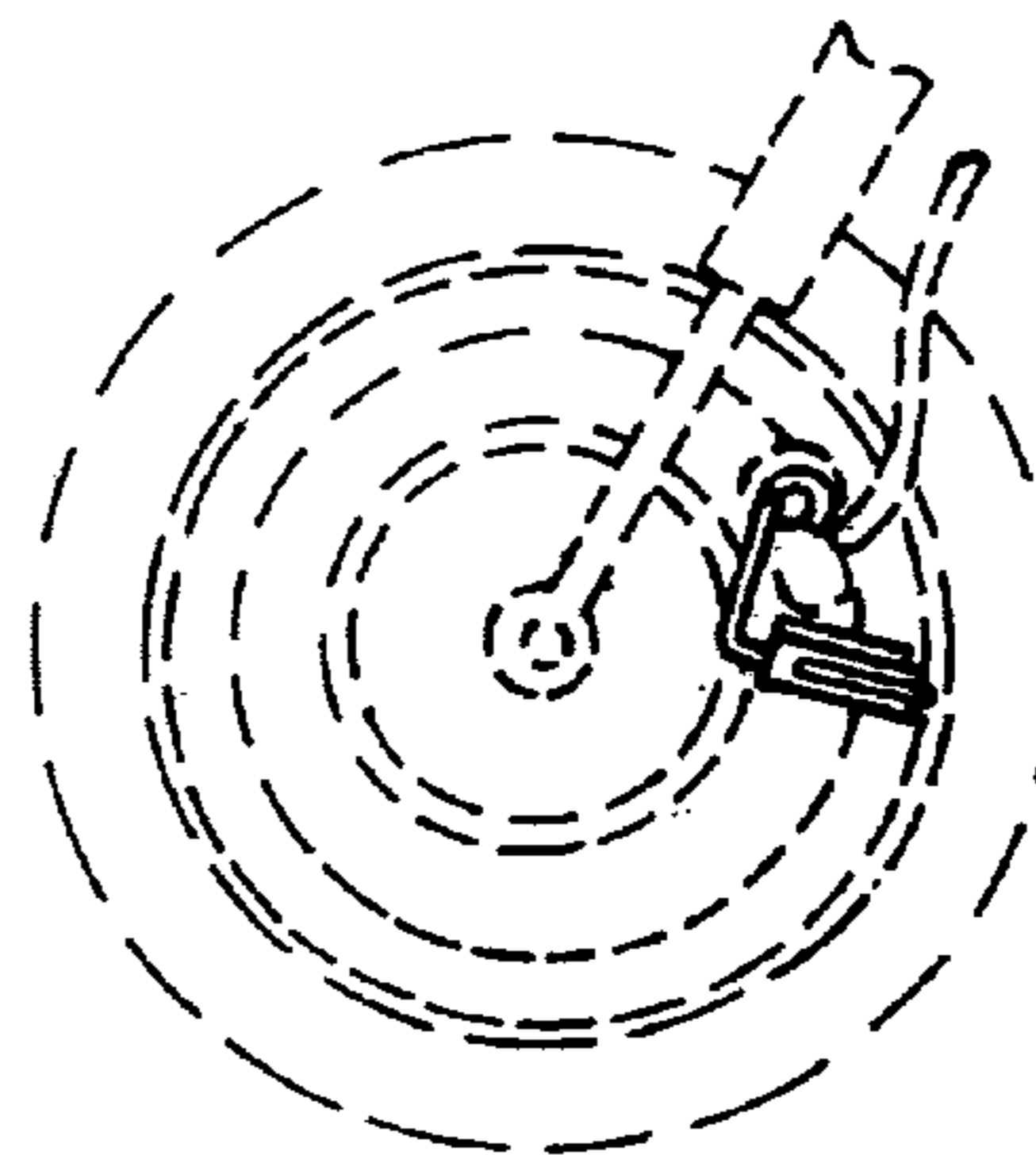
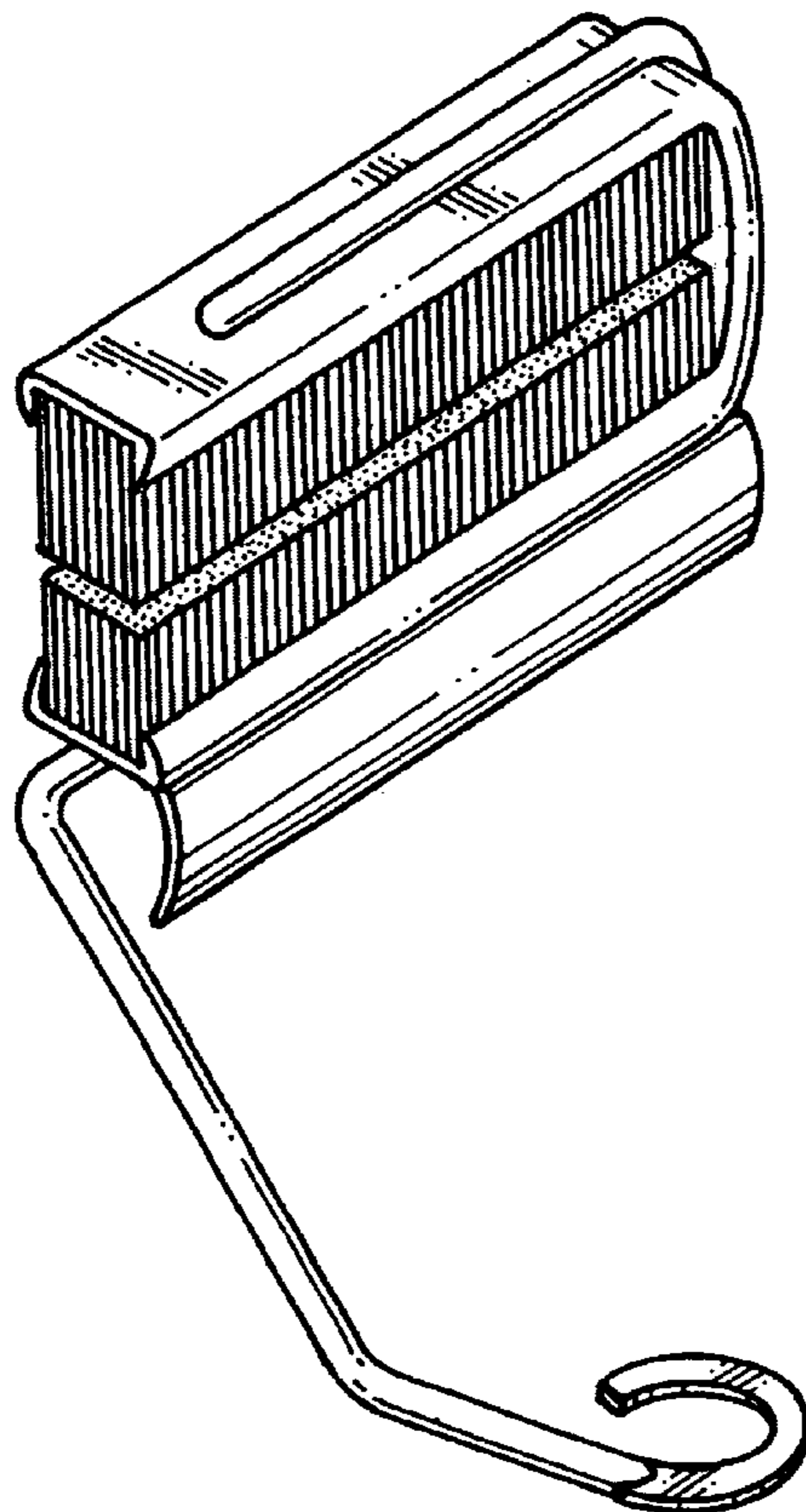
FIG. 1 is a perspective view of a cleaning device for motorcycle disc brake showing my new design;
FIG. 2 is an end elevational view thereof;
FIG. 3 is an elevational view of the opposing end thereof;
FIG. 4 is a side elevational view thereof;
FIG. 5 is an elevational view of the opposing side thereof;
FIG. 6 is an edge elevational view thereof; and
FIG. 7 is an elevational view of the opposing edge thereof; and,
FIG. 8 is a reduced elevational view showing the cleaning device for motorcycle disc brake in use; the broken lines depict environmental structure for illustrative purposes only and form no part of the claimed design.

(56) **References Cited**

U.S. PATENT DOCUMENTS

616,593 A * 12/1898 Stanbury, Jr. 15/160
725,843 A * 4/1903 Henn, Jr. 15/160
1,766,870 A * 6/1930 Becker 15/160
2,558,253 A * 6/1951 Ines 15/160 X
3,521,411 A 7/1970 Hennig et al.
3,590,537 A 7/1971 Hennig et al.
3,729,069 A 4/1973 Klein et al.
4,641,731 A 2/1987 Kawaguchi et al.
4,716,615 A * 1/1988 Whitehead et al. 15/220.4

1 Claim, 4 Drawing Sheets



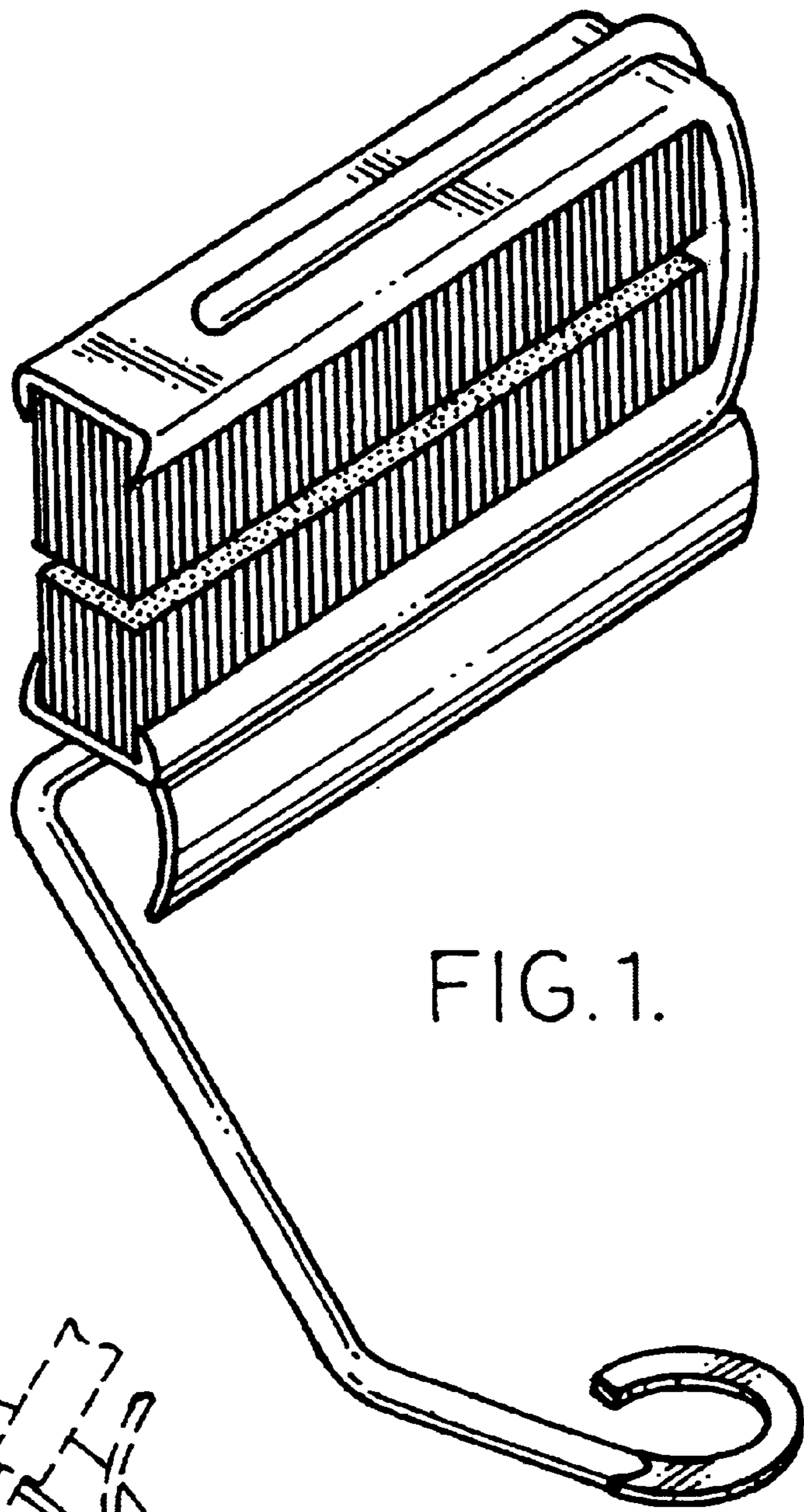


FIG. 1.

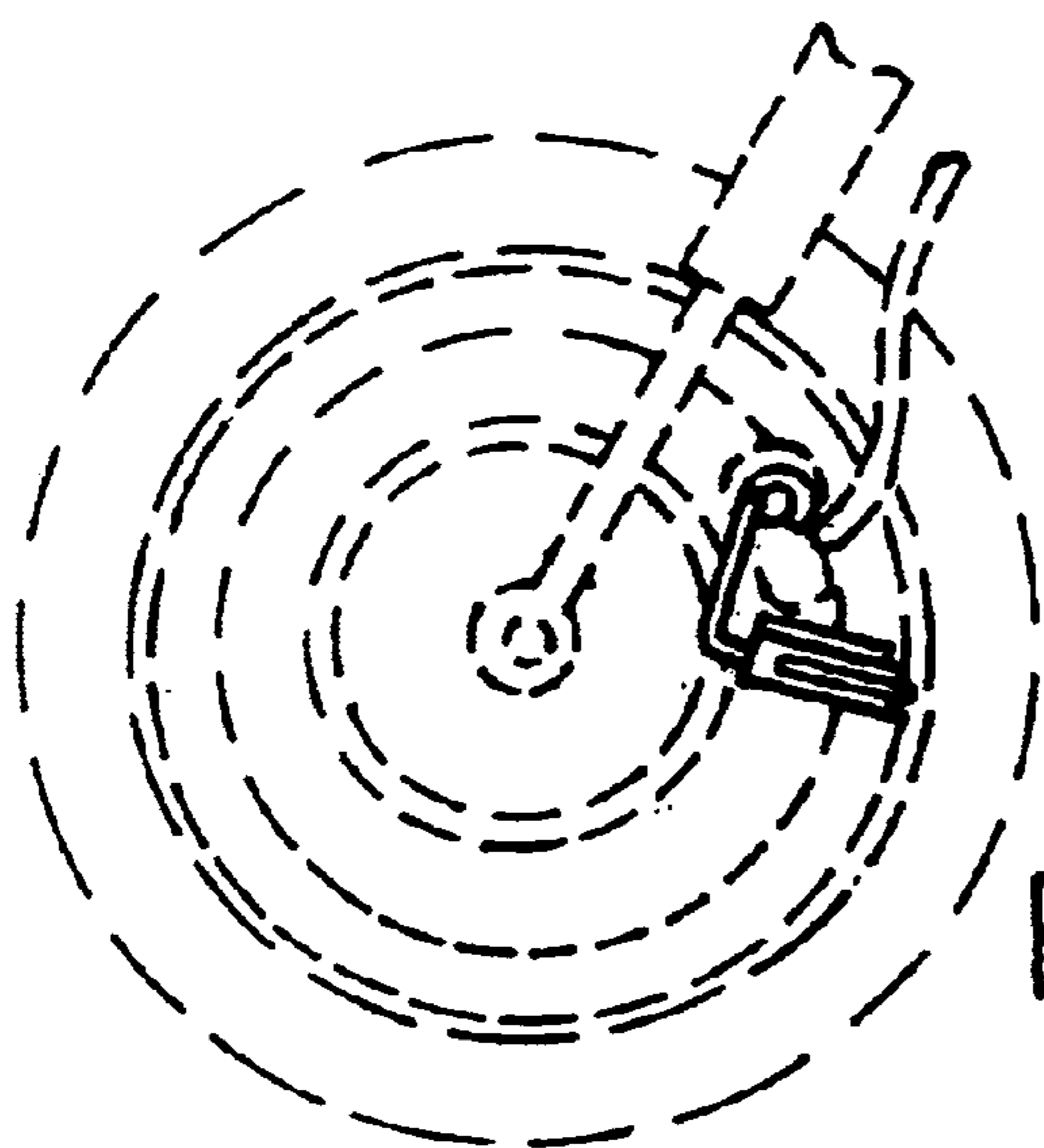


FIG. 8.

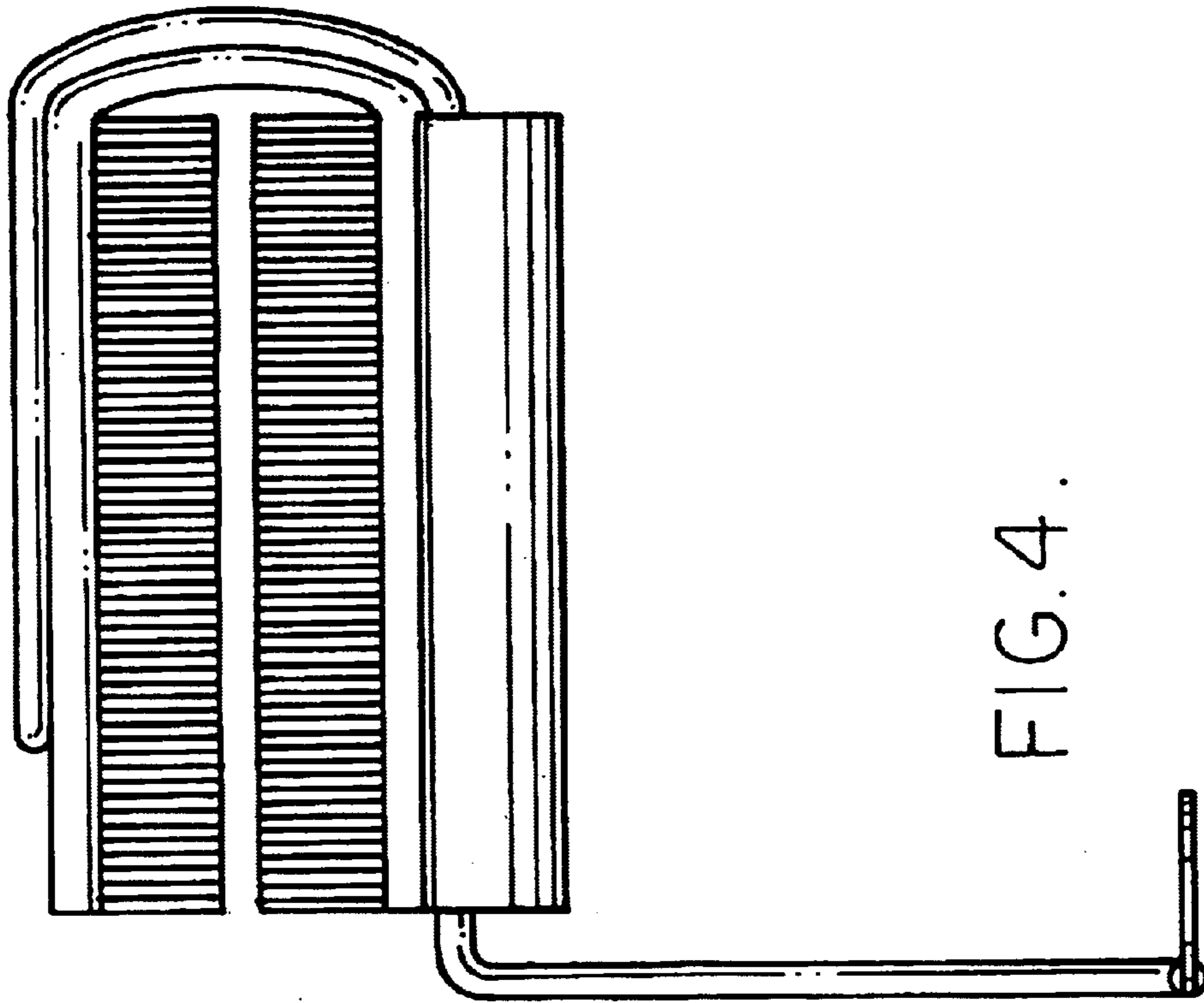


FIG. 4.

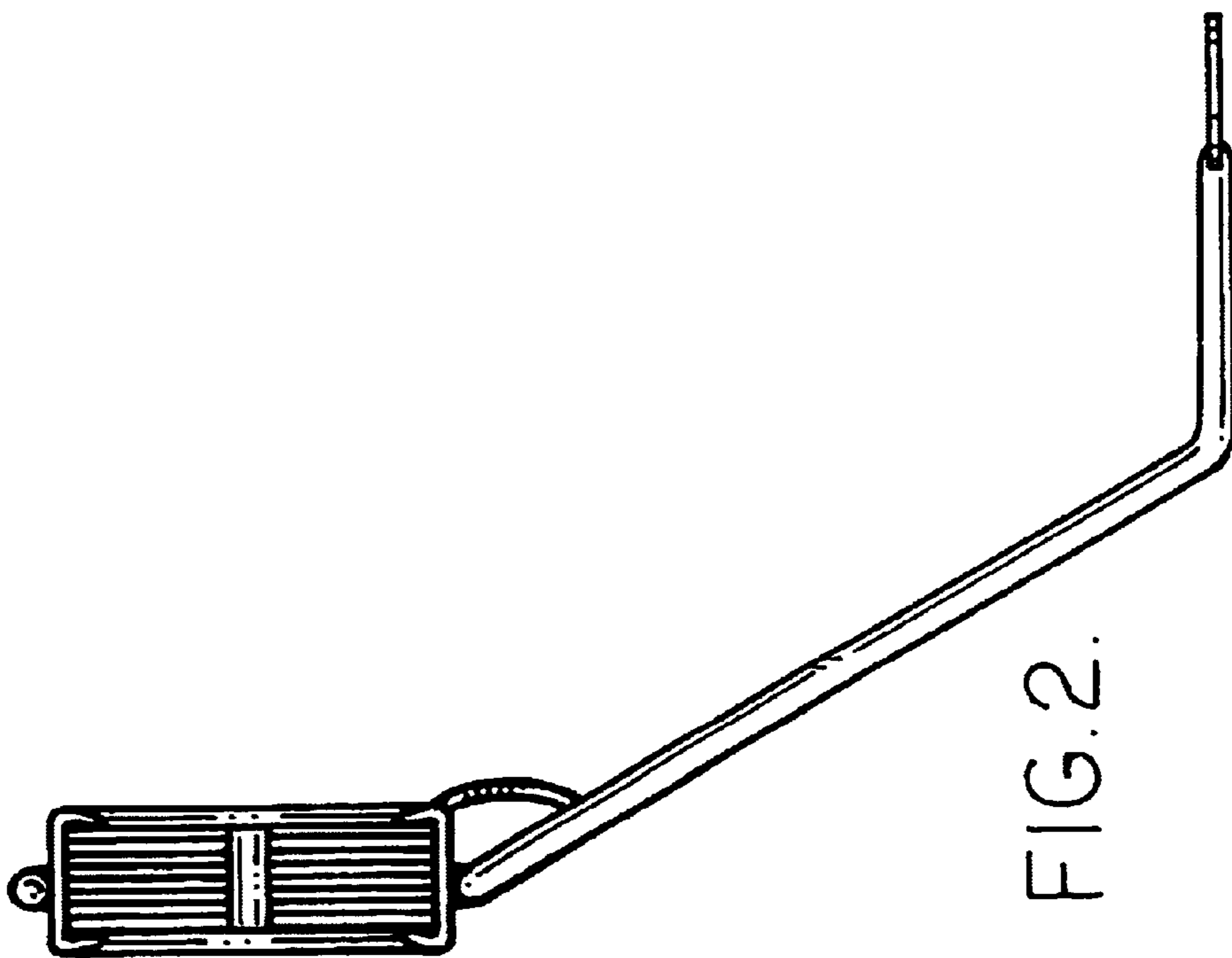


FIG. 2.

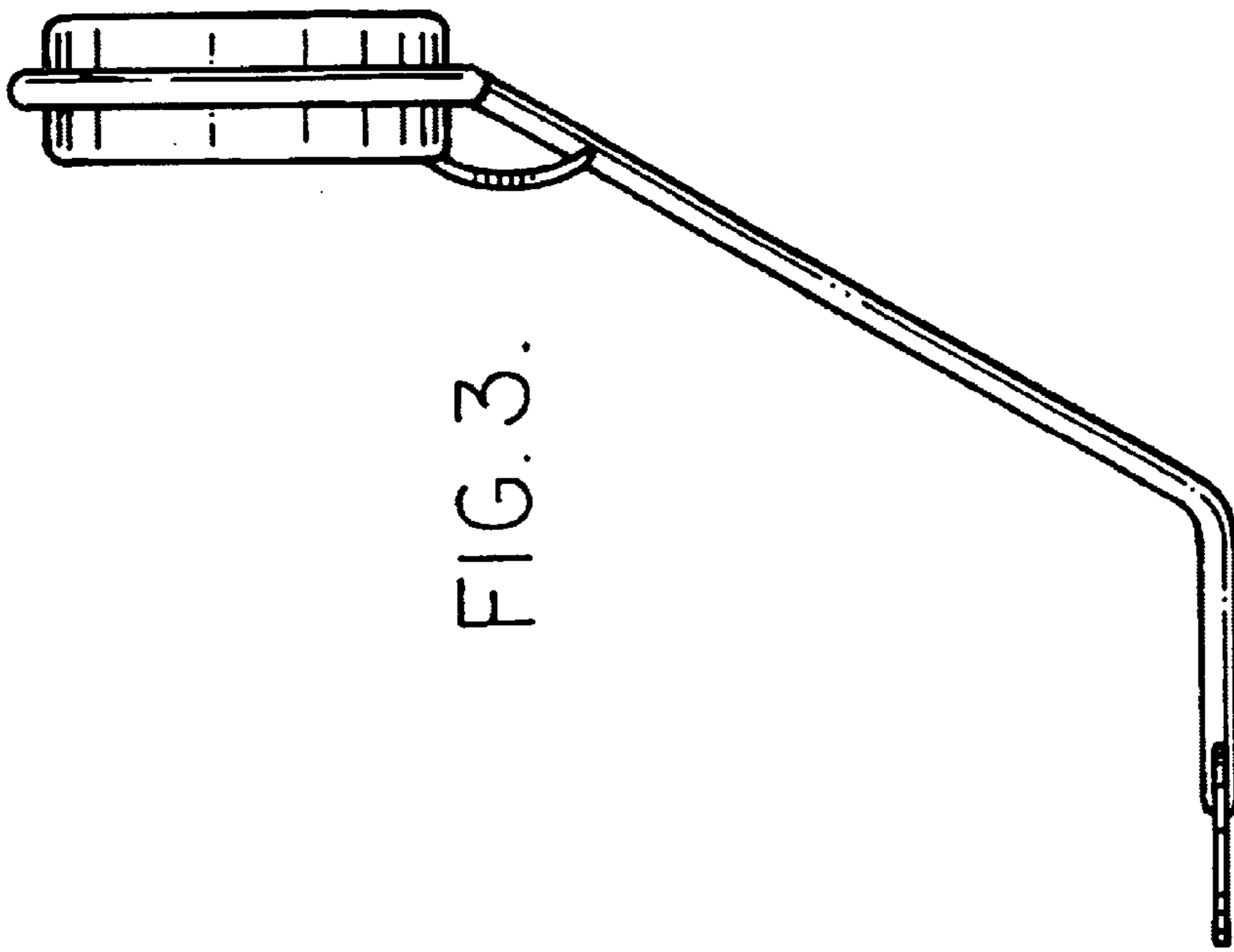


FIG. 3.

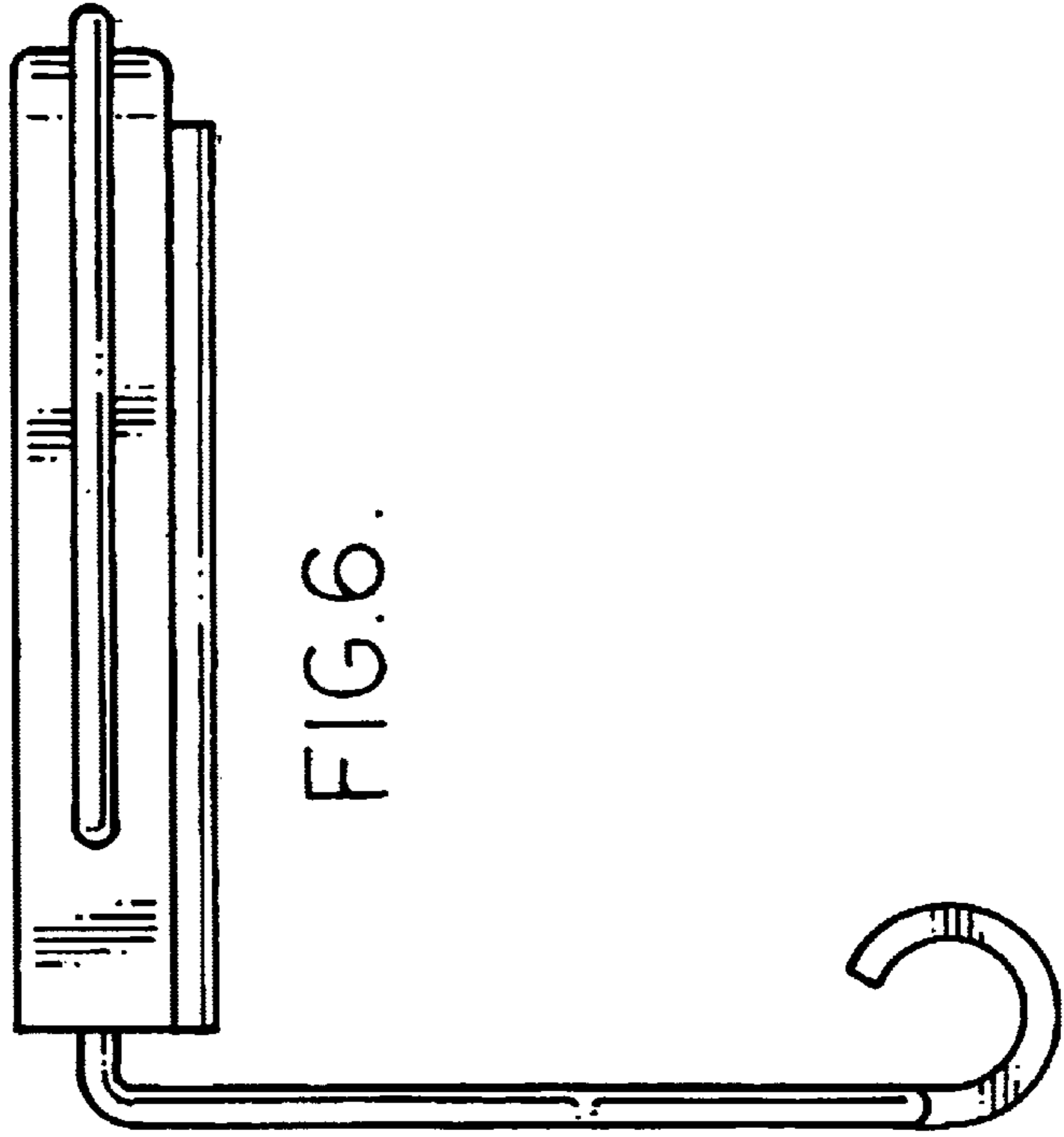


FIG. 6.

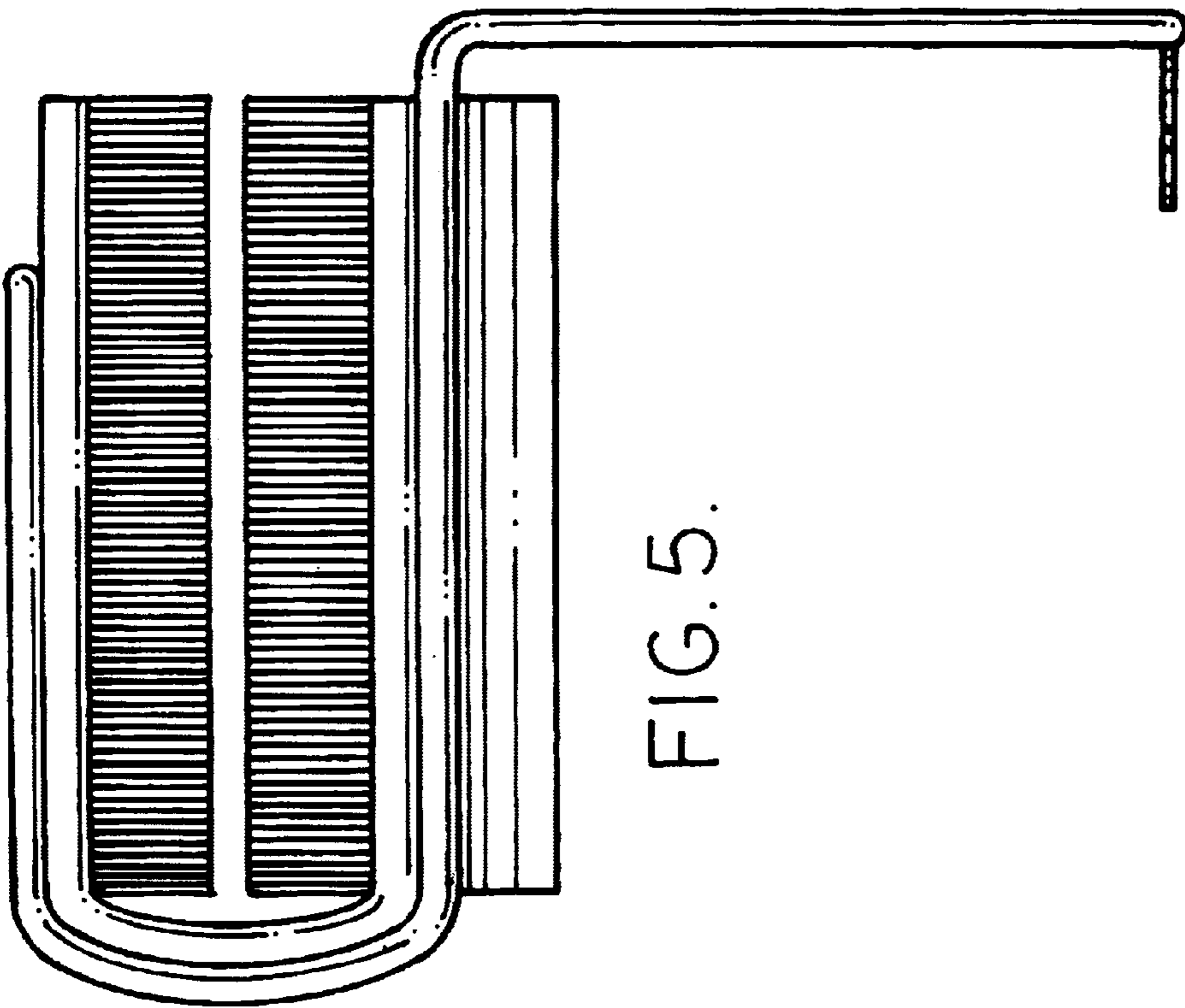


FIG. 5.

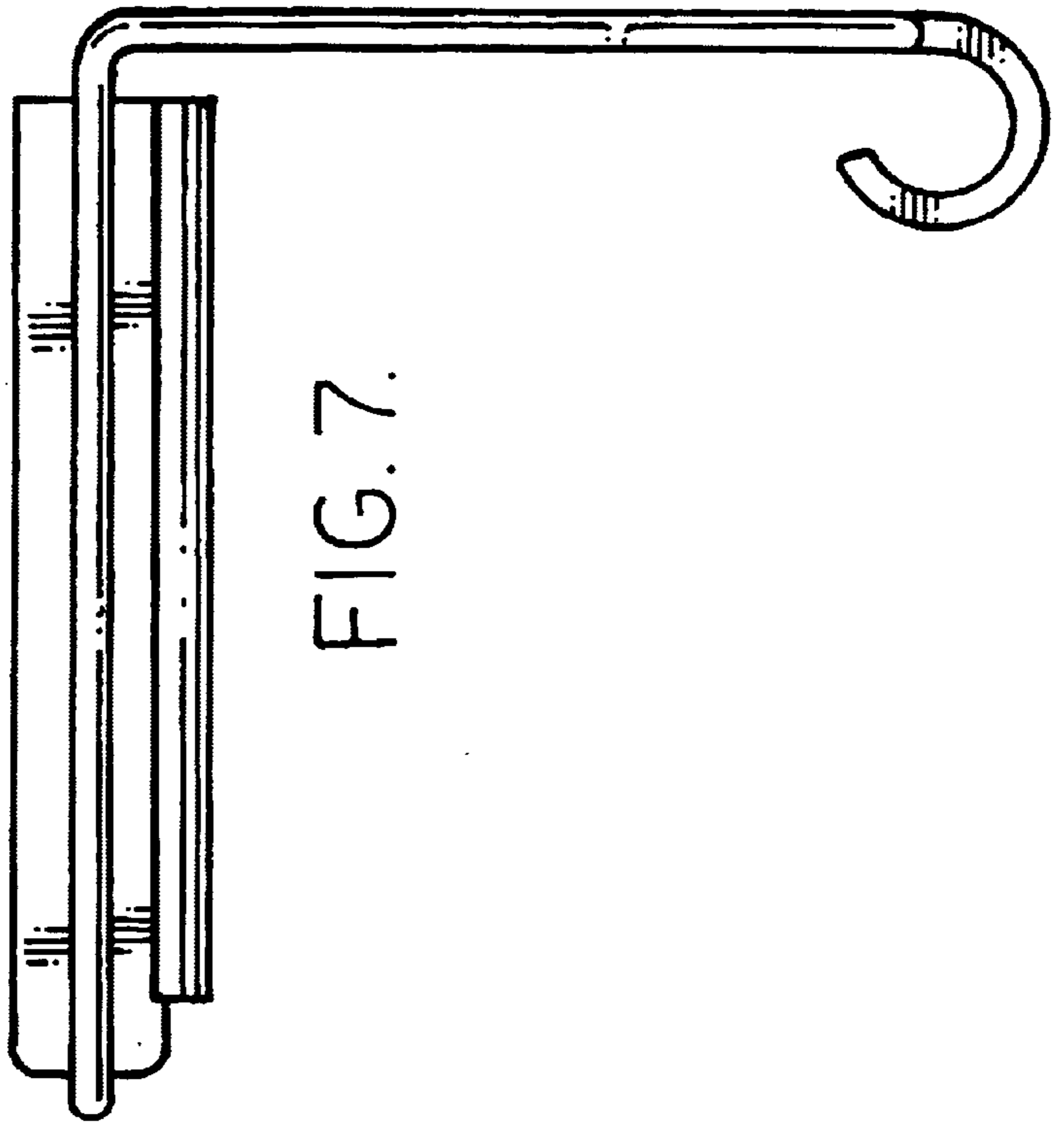


FIG. 7.