



US00D487828S

(12) **United States Design Patent**
Iike et al.

(10) **Patent No.:** **US D487,828 S**

(45) **Date of Patent:** **** Mar. 23, 2004**

(54) **VACUUM CLEANER NOZZLE**

(75) Inventors: **Taro Iike**, Kawanishi (JP); **Osamu Harada**, Ibaraki (JP); **Osamu Kondo**, Ibaraki (JP)

(73) Assignee: **Matsushita Electric Industrial Co., Ltd.**, Okaka (JP)

(**) Term: **14 Years**

(21) Appl. No.: **29/181,991**

(22) Filed: **May 19, 2003**

(30) **Foreign Application Priority Data**

Jan. 30, 2003 (JP) 2003-002065

(51) **LOC (7) Cl.** **15-05**

(52) **U.S. Cl.** **D32/32**

(58) **Field of Search** D32/31-33, 21,
D32/22, 23; 15/415.1-422.1, 321-322,
400, 414

(56) **References Cited**

U.S. PATENT DOCUMENTS

- D312,904 S * 12/1990 Worwag D32/32
- D326,938 S * 6/1992 Burns D32/32
- D327,145 S * 6/1992 Kuriya D32/22
- D333,539 S * 2/1993 Kramer et al. D32/32

- D427,398 S * 6/2000 Worwag D32/32
- D456,967 S * 5/2002 Santiago D32/32
- D457,696 S * 5/2002 Worwag D32/32
- D462,816 S * 9/2002 Rosa et al. D32/32
- D477,446 S * 7/2003 Kalman et al. D32/32

FOREIGN PATENT DOCUMENTS

- JP D1123786 10/2001
- JP D1158970 11/2002

* cited by examiner

Primary Examiner—Ruth McInroy

(74) *Attorney, Agent, or Firm*—Brinks Hofer Gilson & Lione

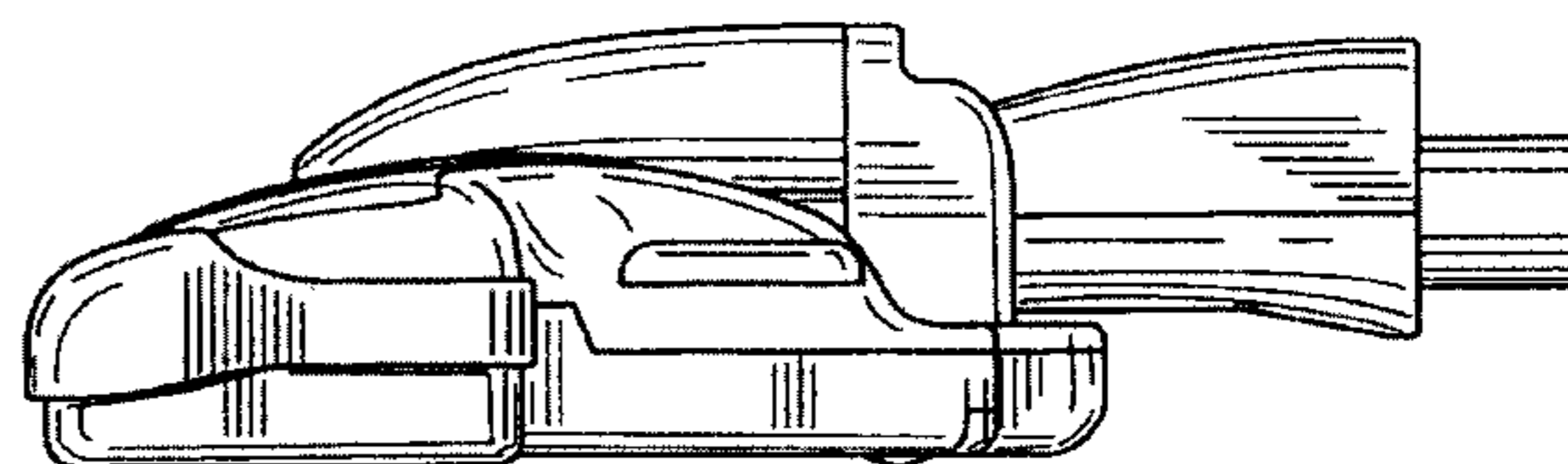
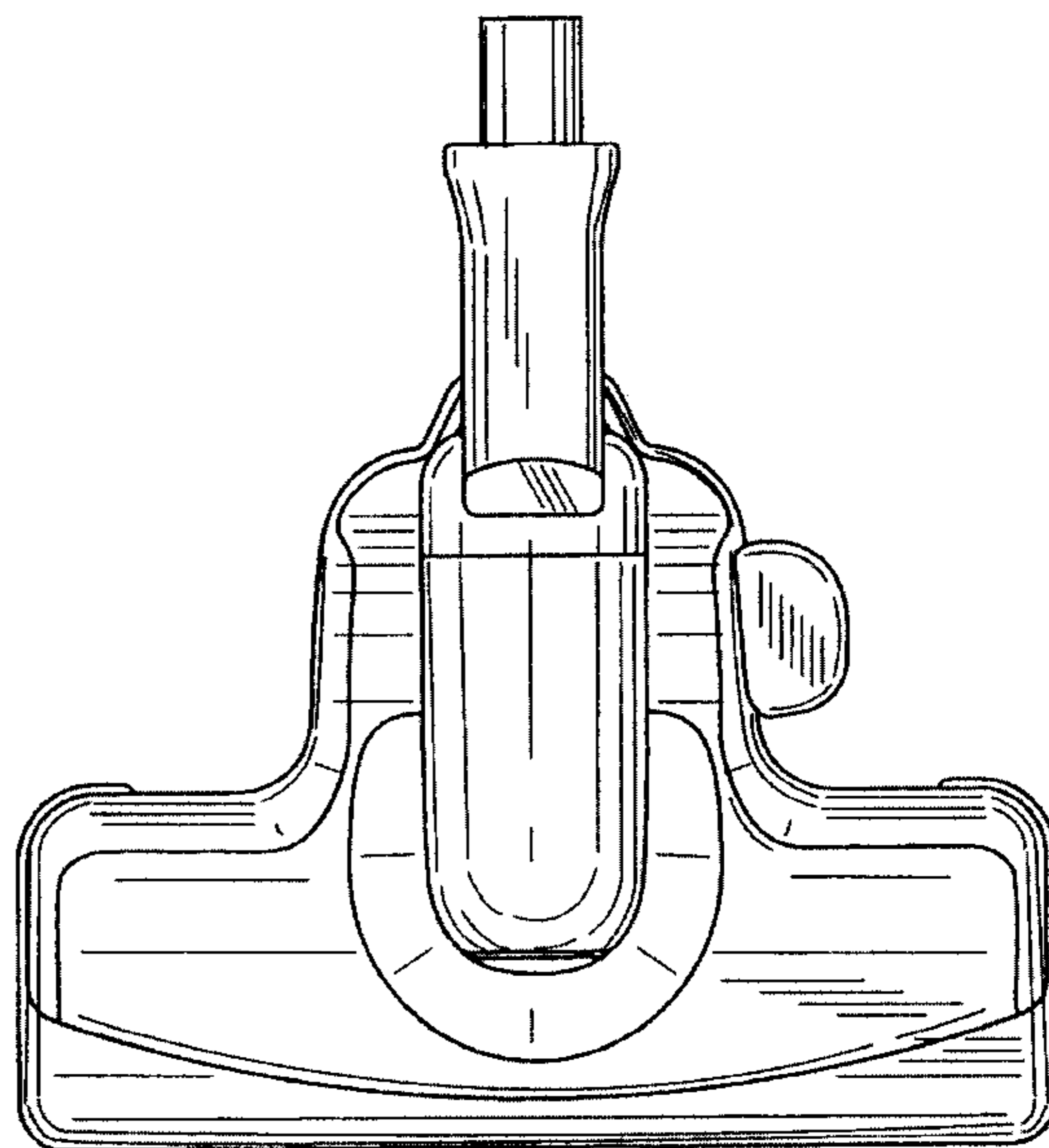
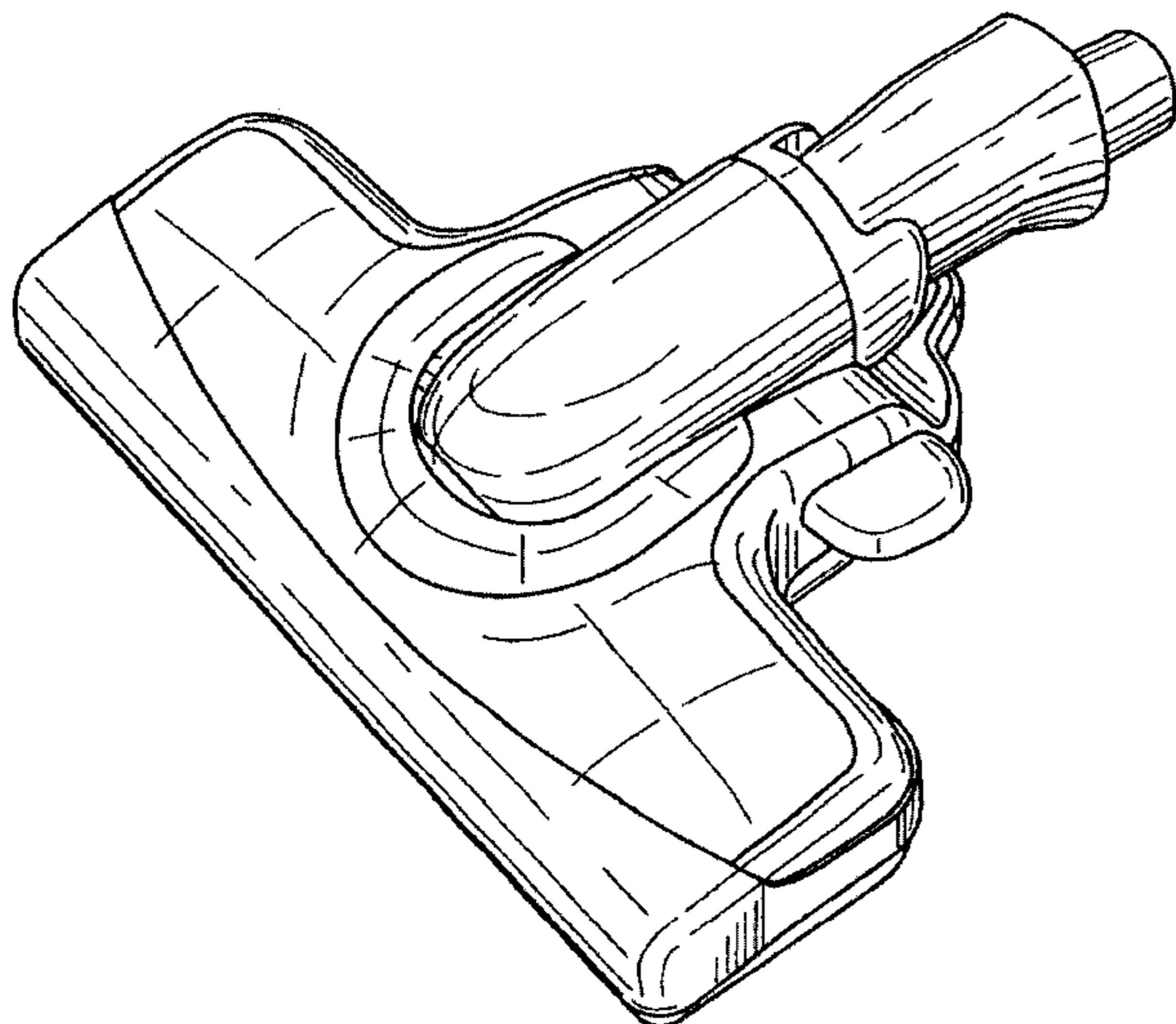
(57) **CLAIM**

The ornamental design for a vacuum cleaner nozzle, as shown and described.

DESCRIPTION

FIG. 1 is a top perspective view of a vacuum cleaner nozzle showing our new design;
 FIG. 2 is a front view thereof;
 FIG. 3 is a top view thereof;
 FIG. 4 is a right side view thereof;
 FIG. 5 is a left side view thereof;
 FIG. 6 is a bottom view thereof; and,
 FIG. 7 is a rear view thereof.

1 Claim, 4 Drawing Sheets



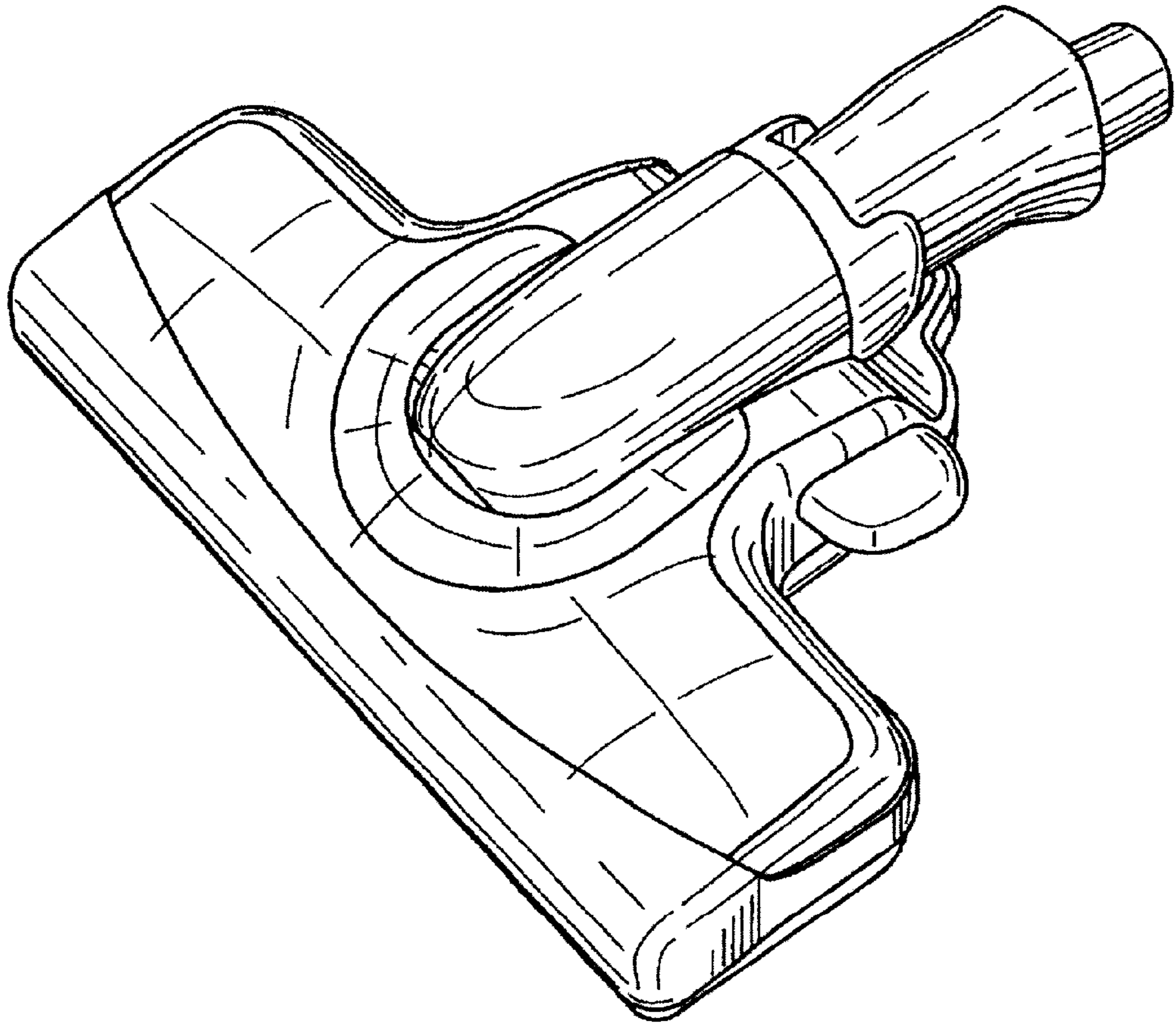


FIG. 1

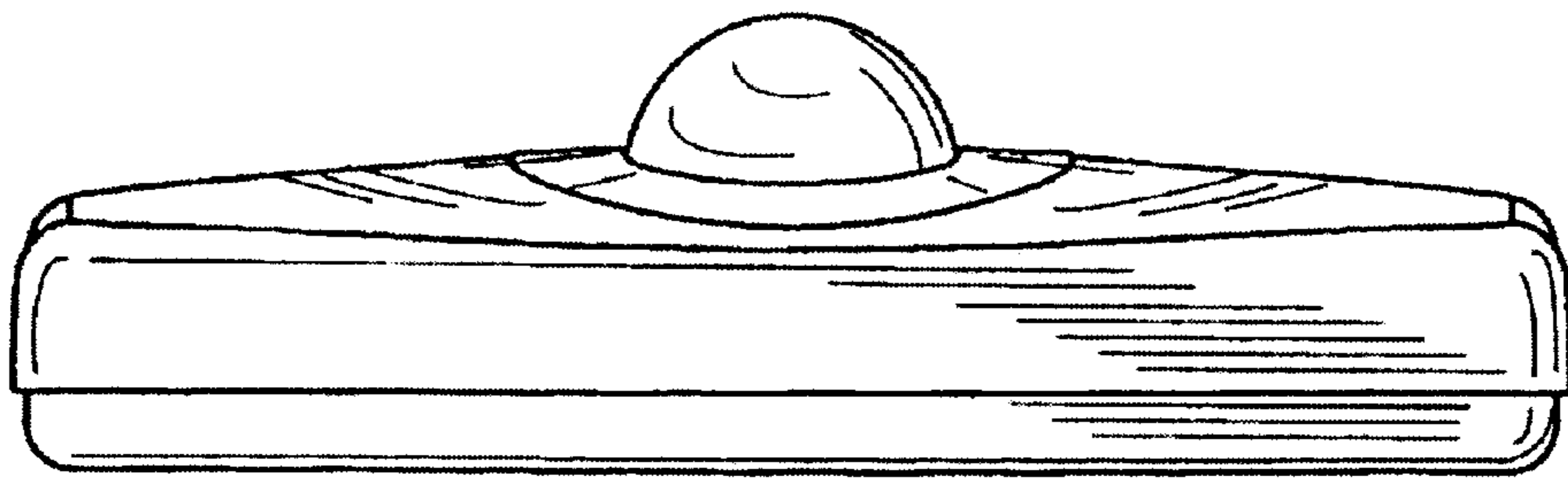


FIG. 2

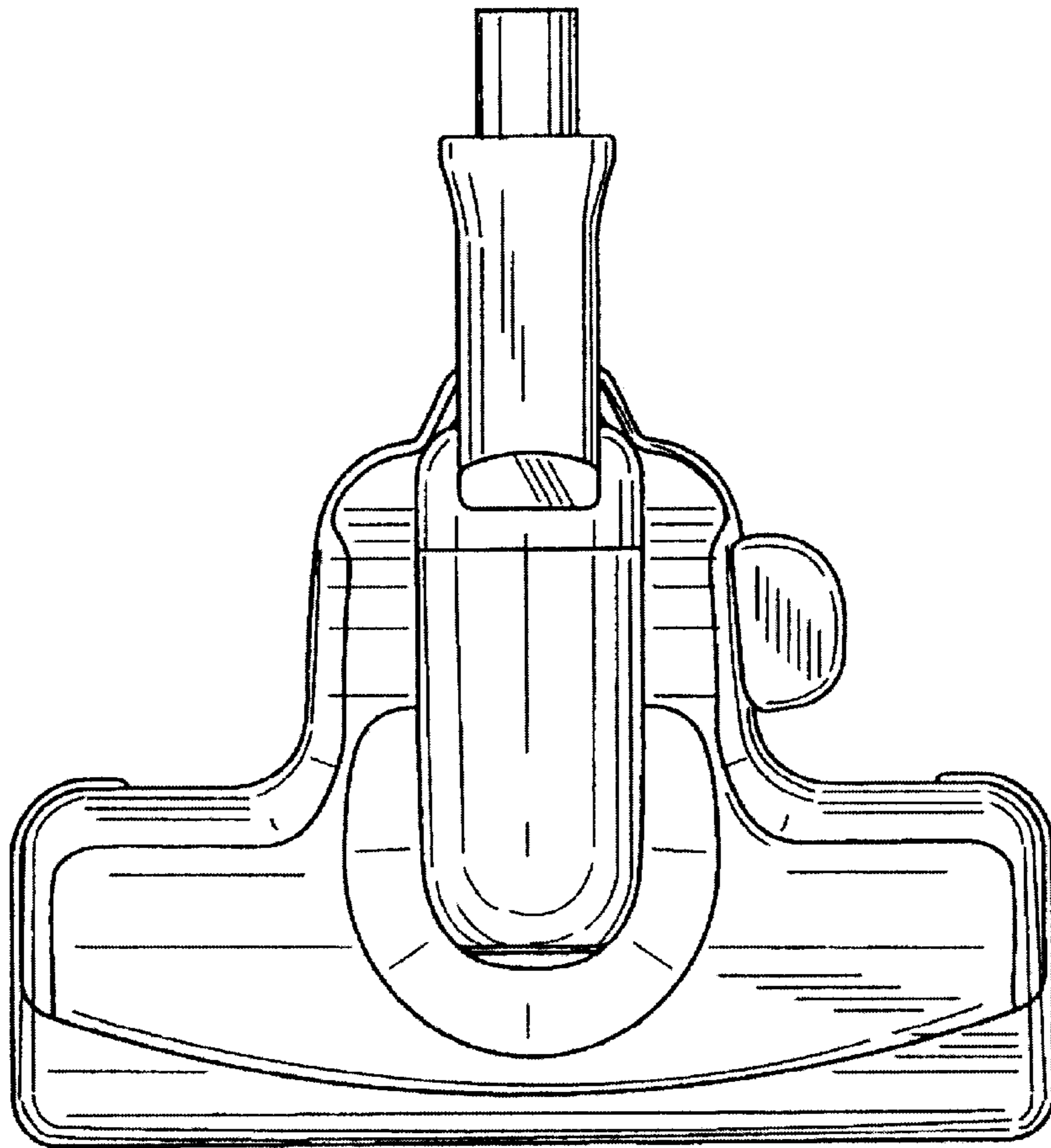


FIG. 3

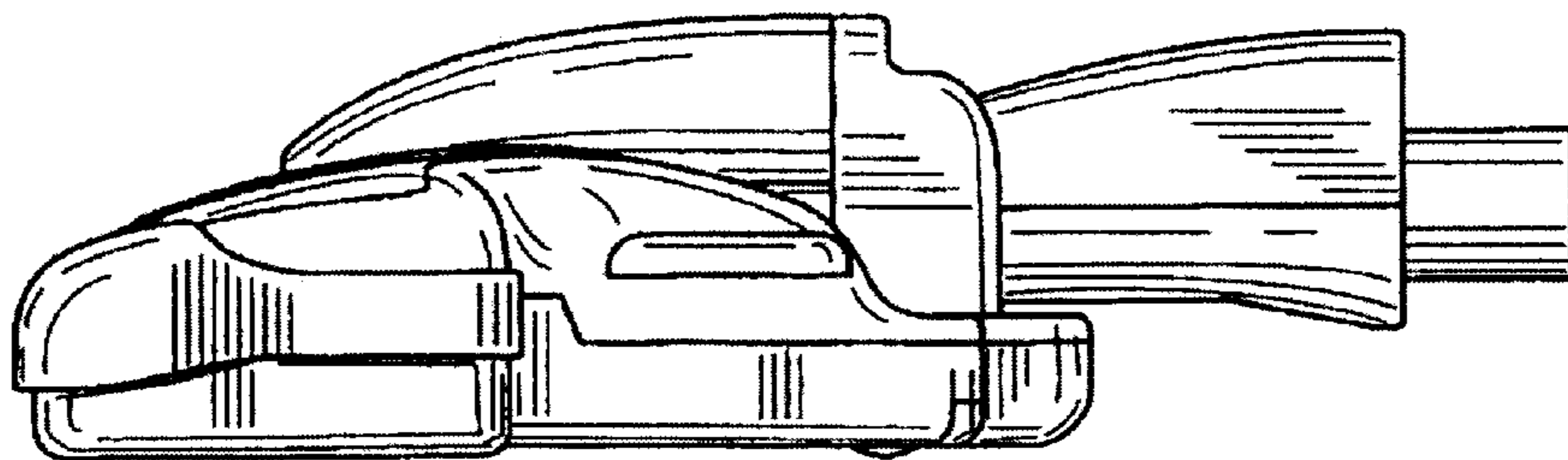


FIG. 4

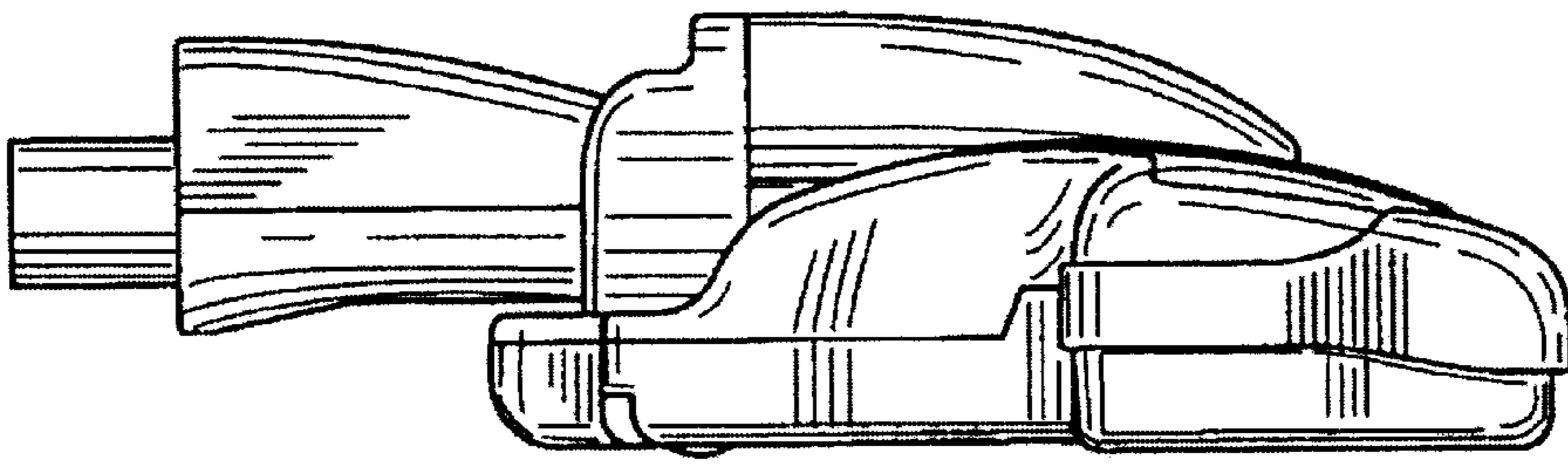


FIG. 5

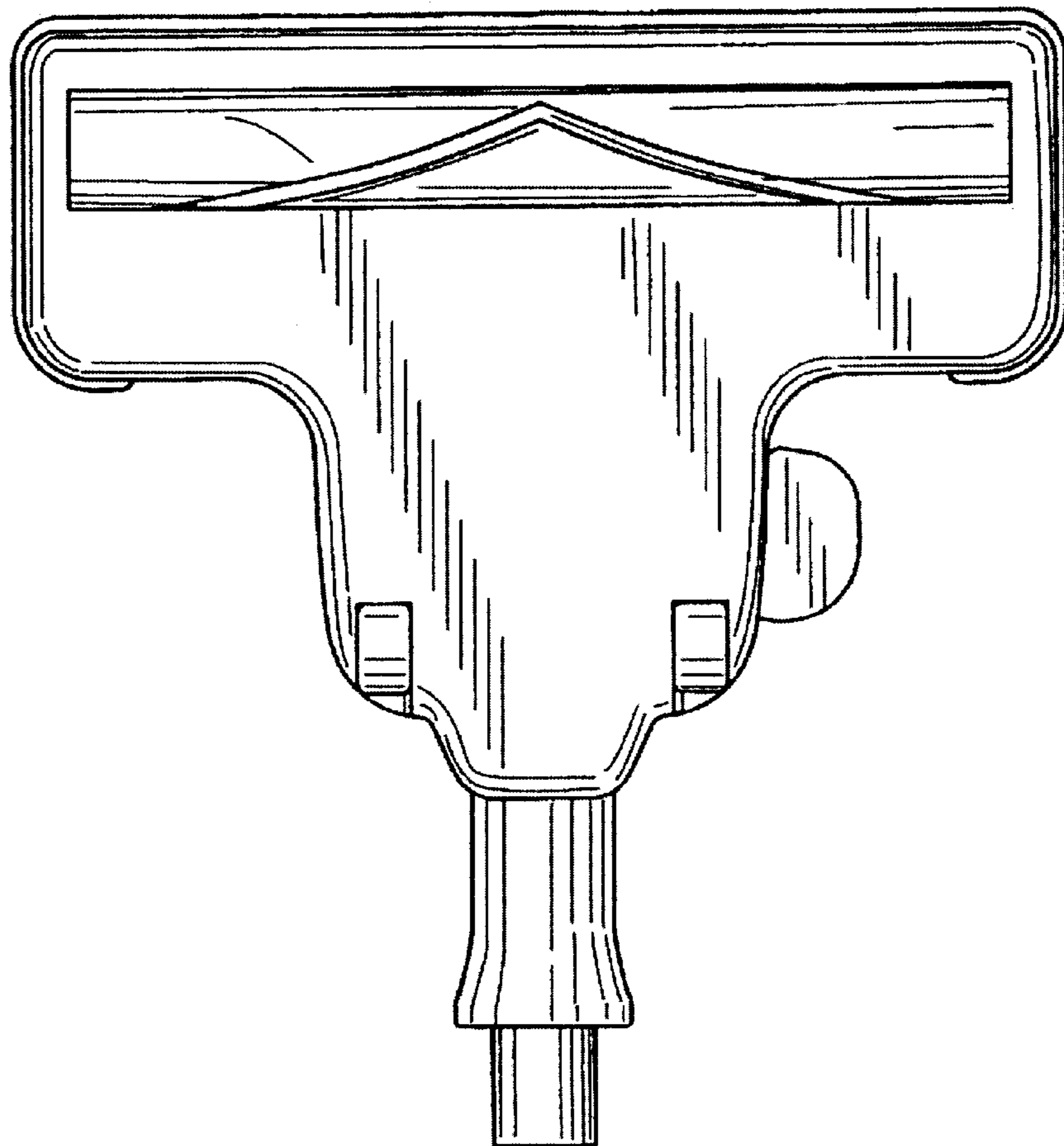


FIG. 6

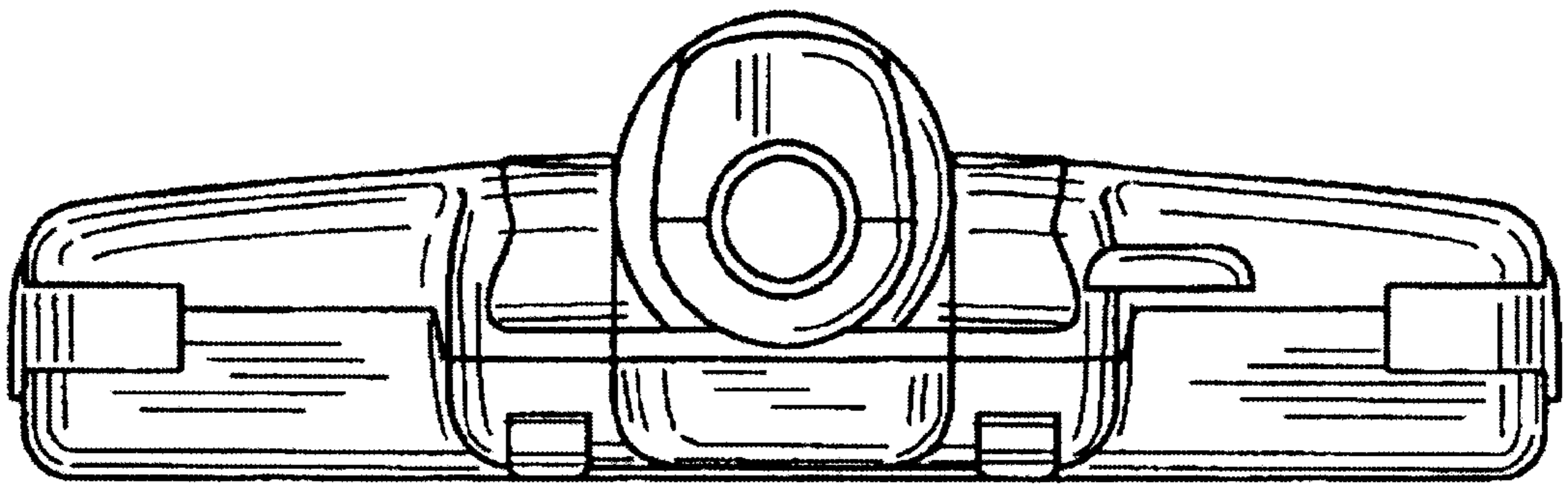


FIG. 7