



US00D487823S

(12) **United States Design Patent**
Wang

(10) **Patent No.:** **US D487,823 S**

(45) **Date of Patent:** **** Mar. 23, 2004**

(54) **SUMMER SLEEPING MAT FOR PET**

RC Steele Pet supplies, 2001, Bone bed; p. 75.*

(75) Inventor: **Chiao-Ming Wang**, Taichung Hsien (TW)

* cited by examiner

(73) Assignee: **Meiko Pet Corporation**, Taichung Hsien (TW)

Primary Examiner—Robin V. Taylor
(74) *Attorney, Agent, or Firm*—Troxell Law Office PLLC

(**) Term: **14 Years**

(57) **CLAIM**

(21) Appl. No.: **29/178,239**

The ornamental design for a summer sleeping mat for pet, as shown and described.

(22) Filed: **Mar. 25, 2003**

(51) **LOC (7) Cl.** **30-06**

(52) **U.S. Cl.** **D30/118; D6/588**

(58) **Field of Search** D6/582, 583, 584,
D6/588, 592; D30/118, 120, 199; 119/28.5,
526

DESCRIPTION

(56) **References Cited**

U.S. PATENT DOCUMENTS

D316,464 S * 4/1991 Kelley D30/118
D441,146 S * 4/2001 Passmore D30/118
6,237,531 B1 * 5/2001 Peeples et al. 119/28.5

FIG. 1 is a perspective view of summer sleeping mat for pet showing my new design;

FIG. 2 is a front elevation view thereof;

FIG. 3 is a rear elevation view thereof;

FIG. 4 is a left side elevation view thereof;

FIG. 5 is a right side elevation view thereof;

FIG. 6 is a top plan view thereof; and,

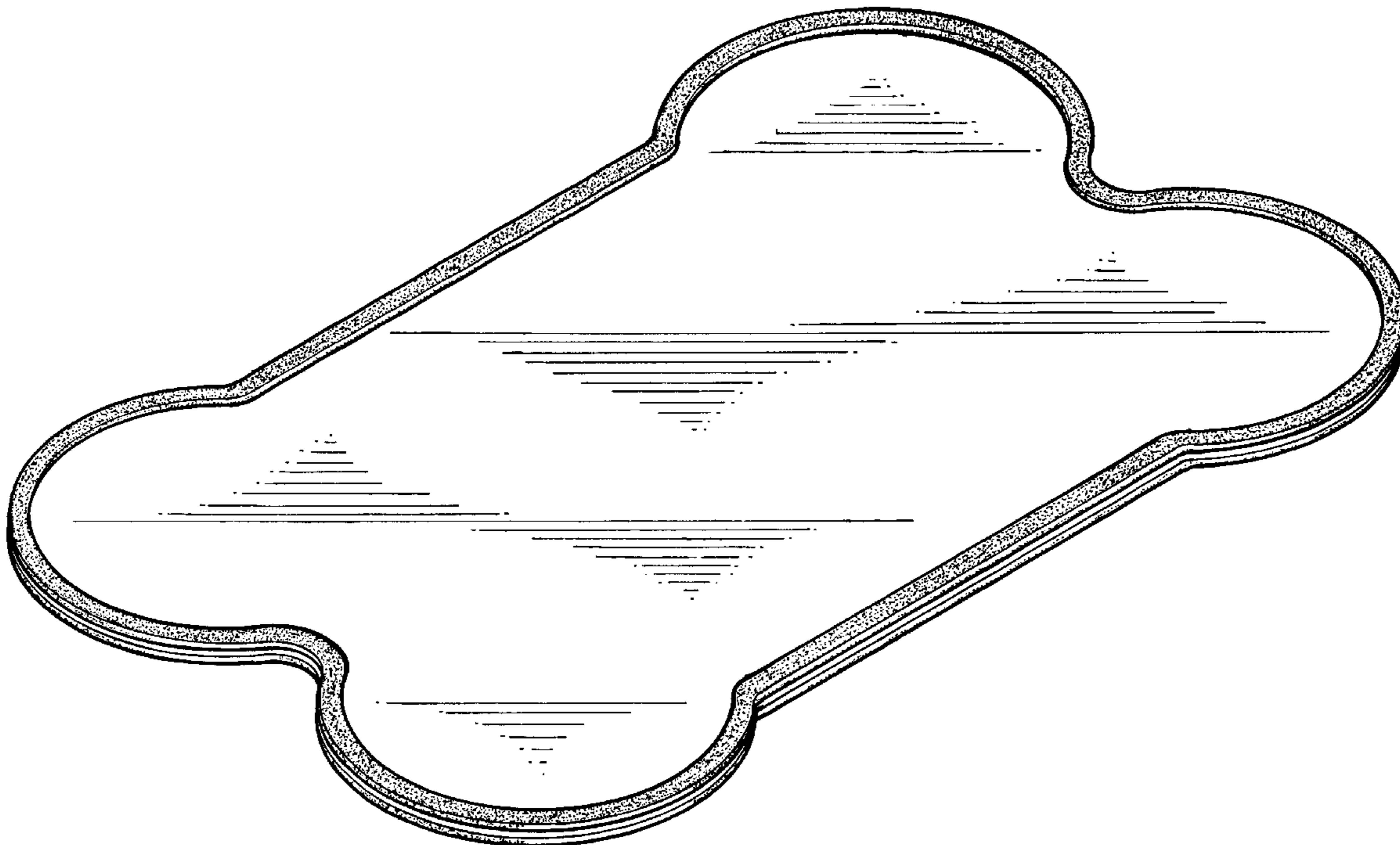
FIG. 7 is a bottom plan view thereof.

OTHER PUBLICATIONS

In the Company of Dogs catalog, 2001, Bone-shaped braided rug; p. 6.*

In the Company of Dogs catalog, May 2001, Bone-shaped chenille rugs; p. 43.*

1 Claim, 5 Drawing Sheets



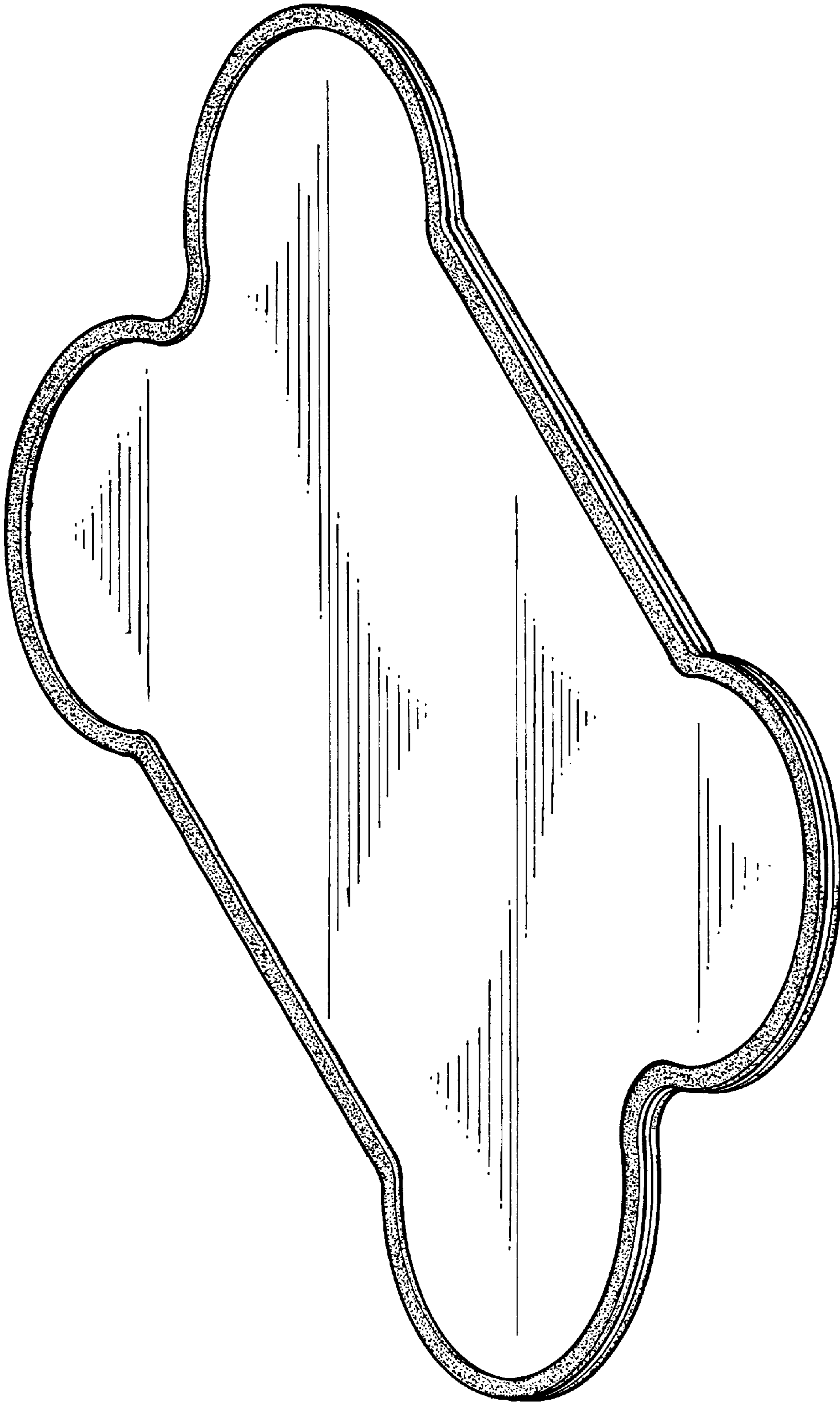


FIG. 1

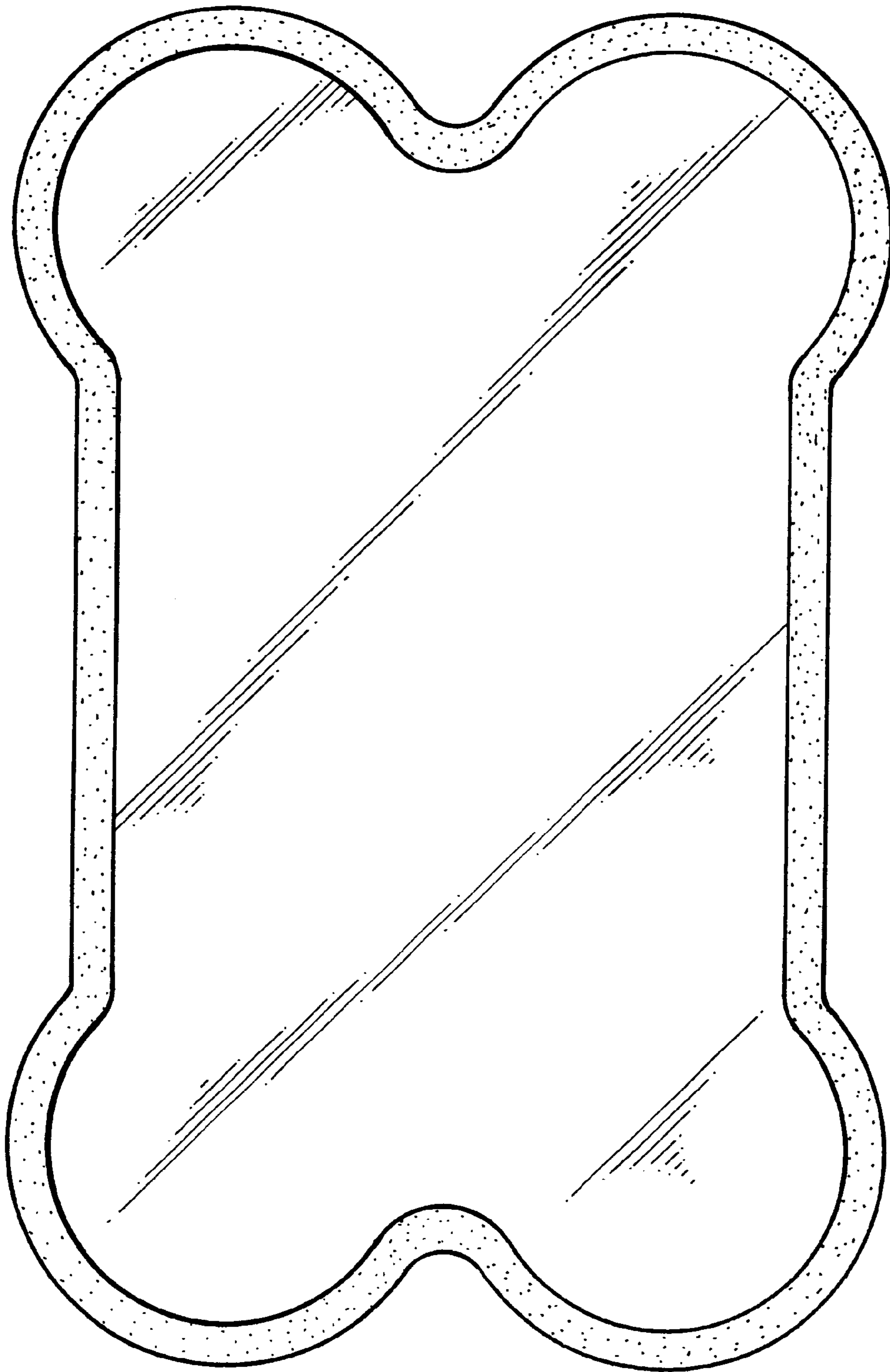


FIG. 2

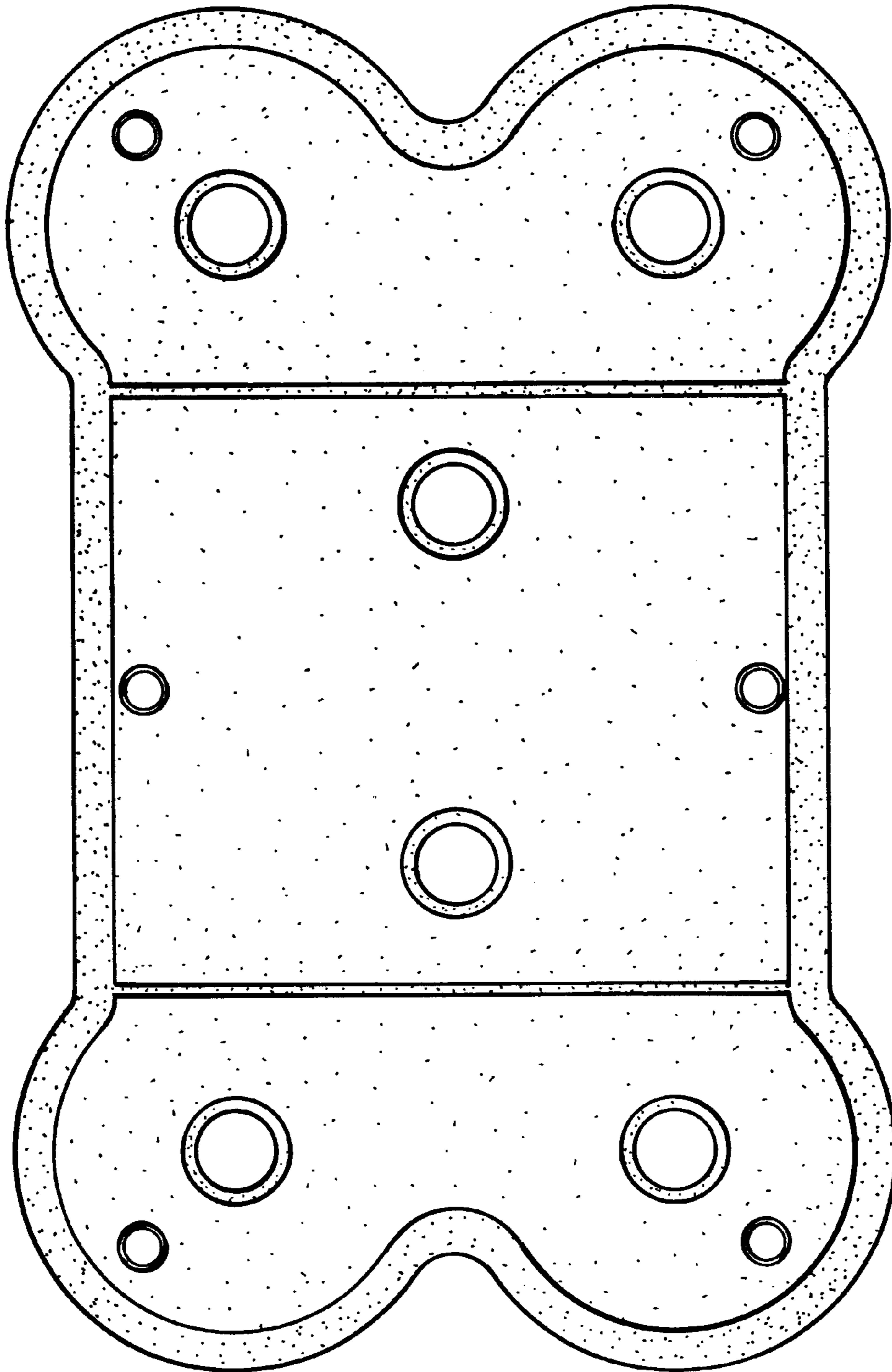


FIG. 3



FIG. 5



FIG. 4

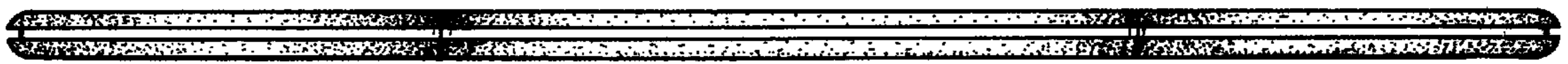


FIG. 6

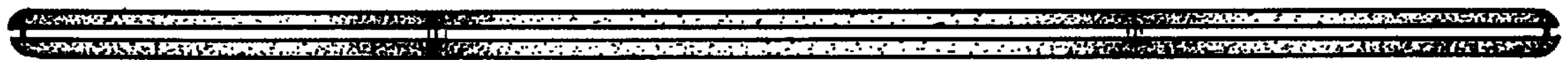


FIG. 7