



US00D487821S

(12) **United States Design Patent**
Sugiyama

(10) **Patent No.:** **US D487,821 S**

(45) **Date of Patent:** **** Mar. 23, 2004**

(54) **EYELASH CURLER**

(75) **Inventor:** **Mikitoshi Sugiyama, Osaka (JP)**

(73) **Assignee:** **Green Bell Company Limited, Osaka (JP)**

(**) **Term:** **14 Years**

(21) **Appl. No.:** **29/169,192**

(22) **Filed:** **Oct. 17, 2002**

(30) **Foreign Application Priority Data**

Aug. 9, 2002 (JP) 2002-021594

(51) **LOC (7) Cl.** **28-03**

(52) **U.S. Cl.** **D28/36**

(58) **Field of Search** D28/36; 132/216,
132/217, 218; 219/225

(56) **References Cited**

U.S. PATENT DOCUMENTS

5,685,324 A * 11/1997 Huang 132/217

5,960,799 A * 10/1999 Suh 132/217

D429,375 S * 8/2000 Choi D28/36

D430,955 S * 9/2000 Ishida D28/36

* cited by examiner

Primary Examiner—Jennifer Rivard

(74) *Attorney, Agent, or Firm*—Hoffman, Wasson & Gitler, PC

(57) **CLAIM**

The ornamental design for an eyelash curler, as shown and described.

DESCRIPTION

FIG. 1 is a front perspective view of the device;
FIG. 2 is a top view of the device;
FIG. 3 is a bottom view of the device;
FIG. 4 is a side view of the device;
FIG. 5 is a front view of the device; and,
FIG. 6 is a rear view of the device.

1 Claim, 3 Drawing Sheets

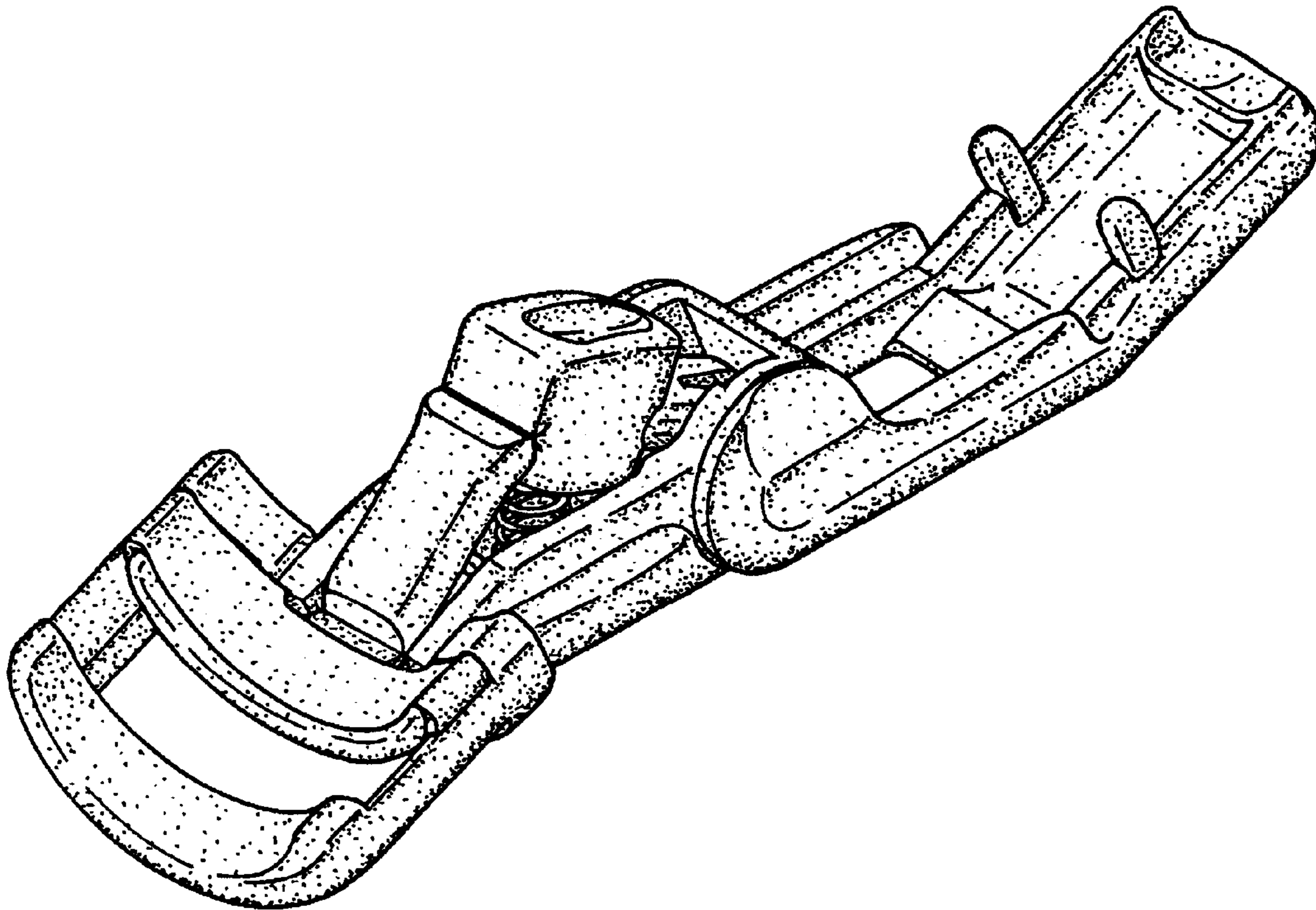


FIG.1

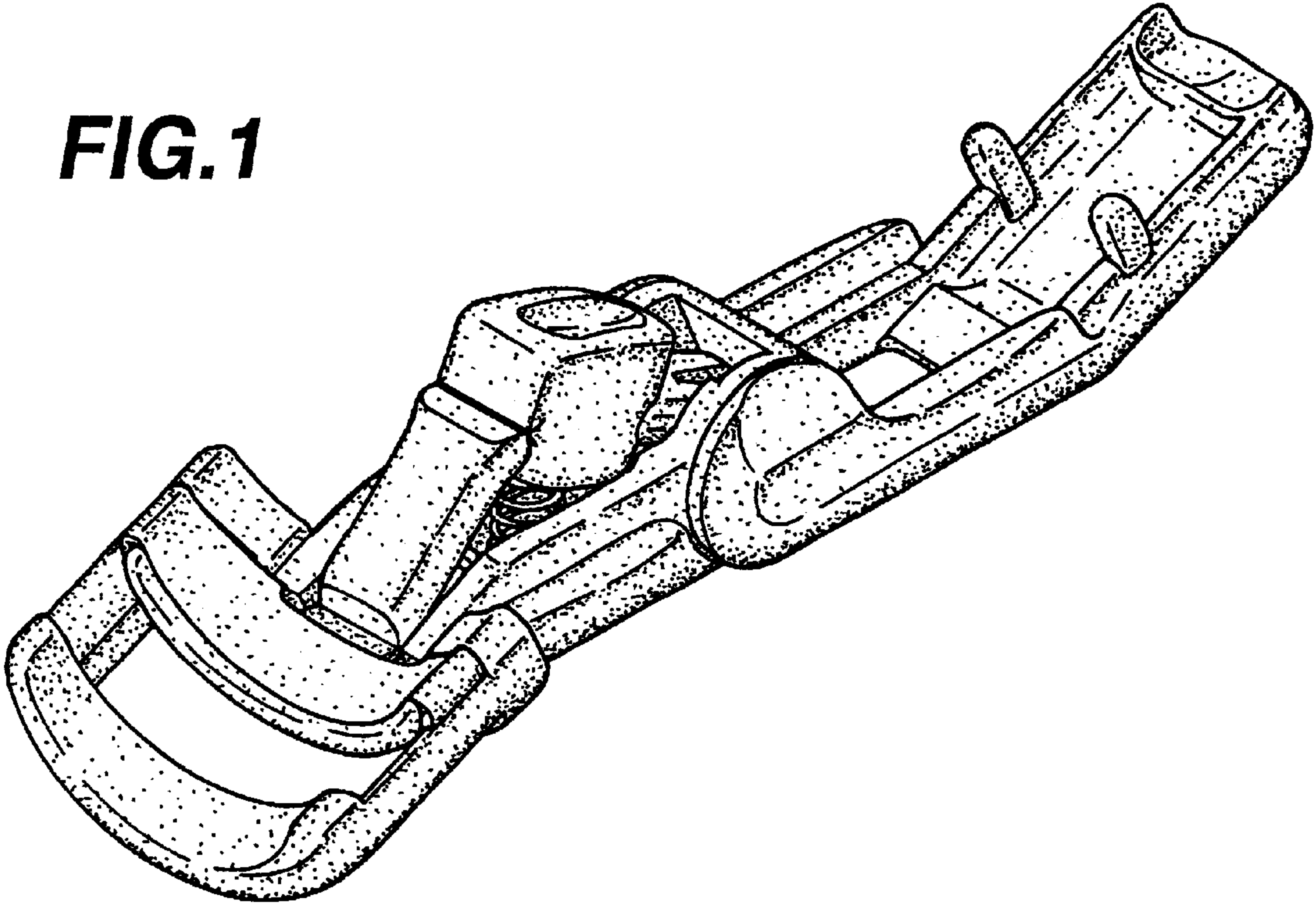


FIG.2

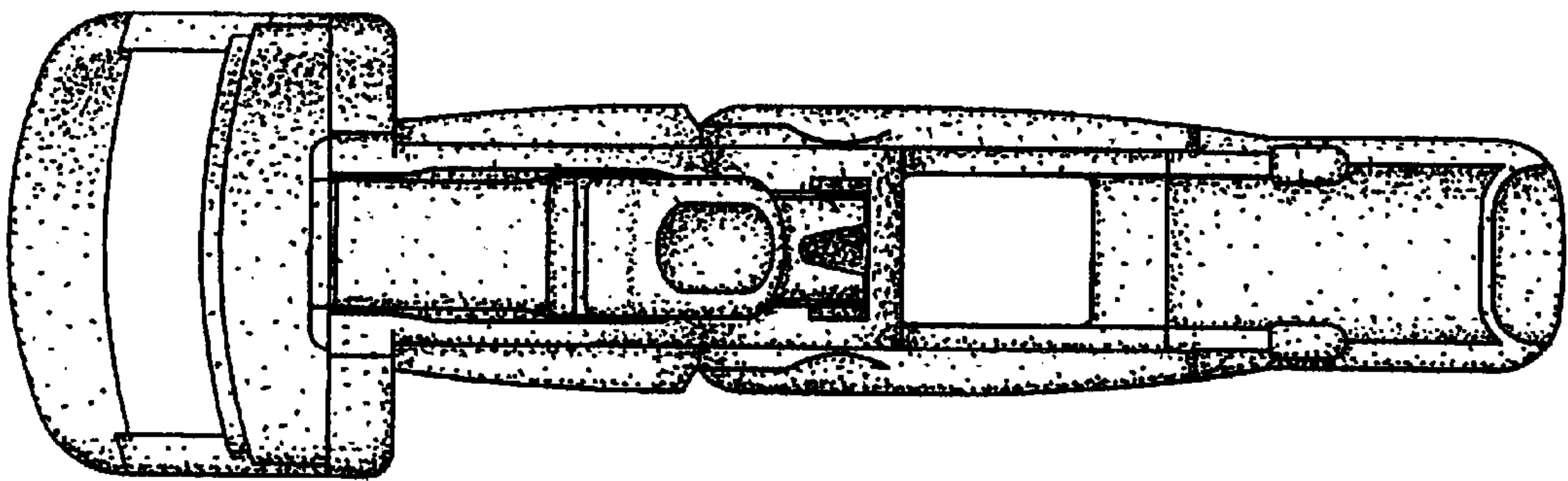


FIG.3

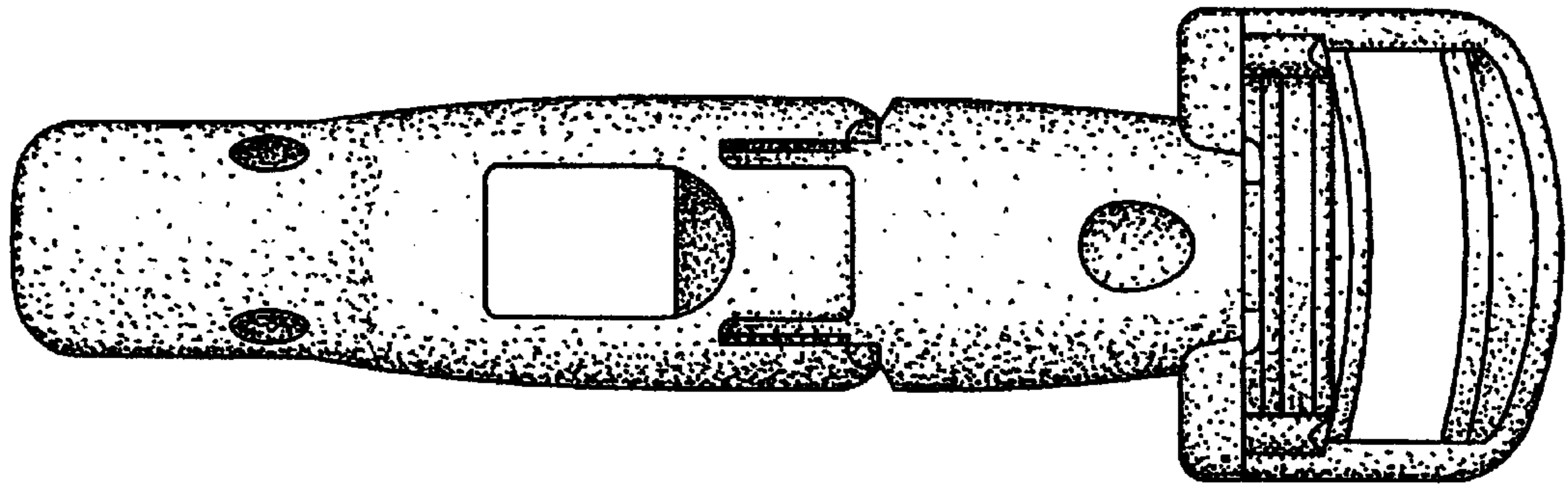


FIG.4

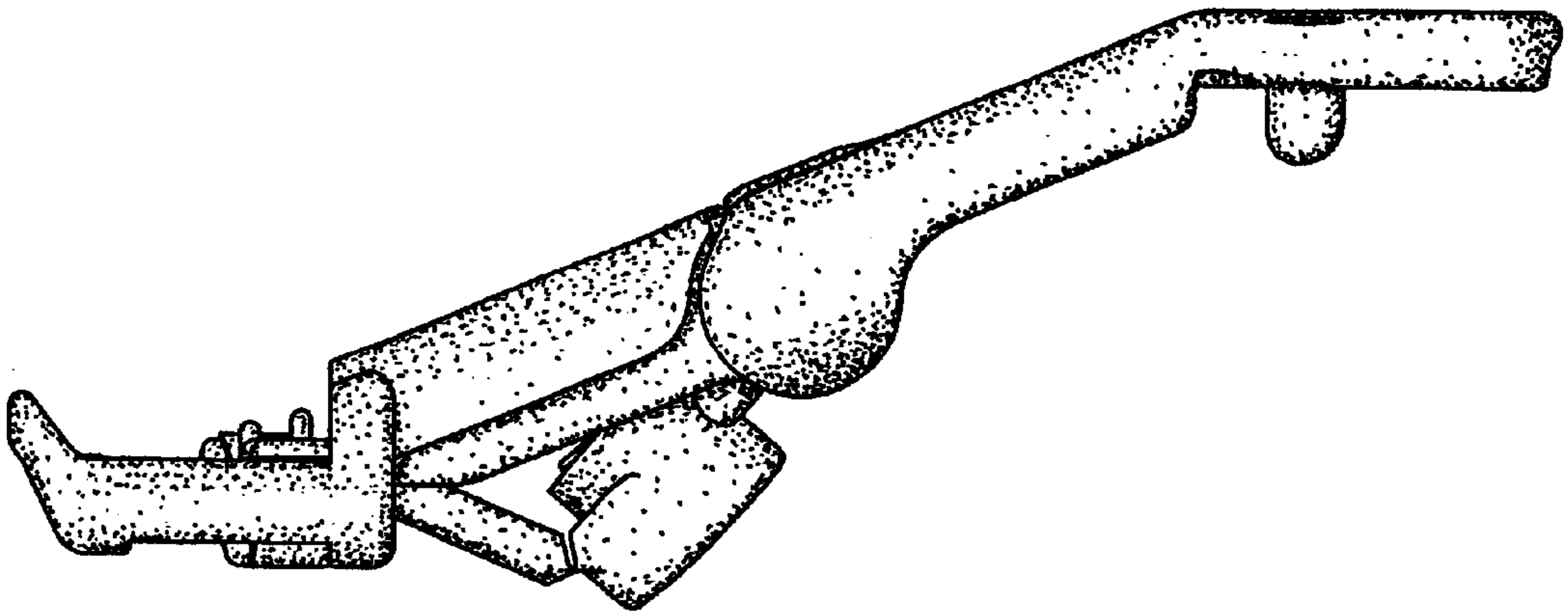


FIG.5

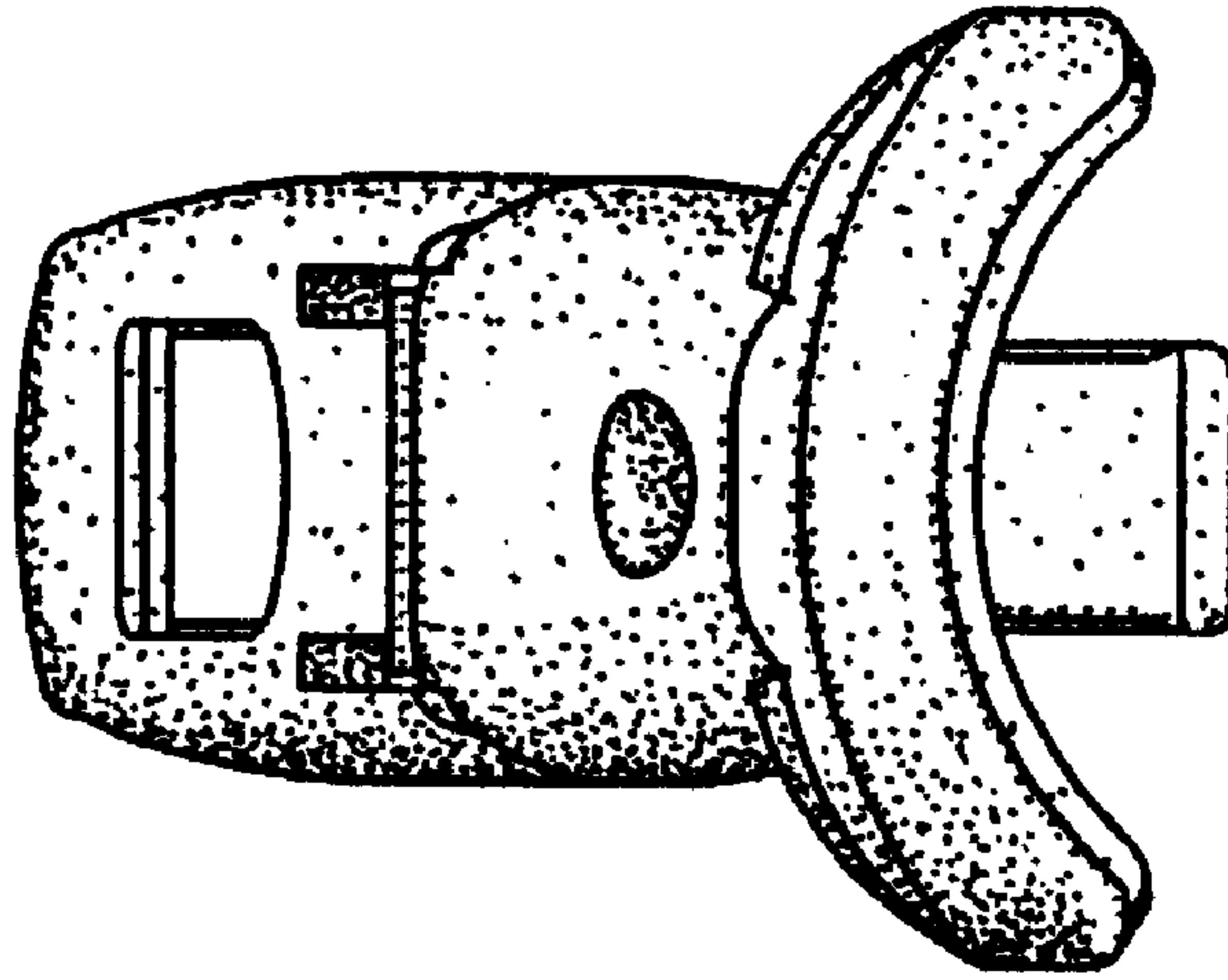


FIG.6

