



US00D487820S

(12) **United States Design Patent**
Wong

(10) **Patent No.:** **US D487,820 S**

(45) **Date of Patent:** **** Mar. 23, 2004**

(54) **TORCH NOZZLE FOR LIGHTER**

(75) Inventor: **Ming King Wong**, North Point (HK)

(73) Assignee: **Ming Wide Lighter Group Co. LTD**,
North Point (HK)

(**) Term: **14 Years**

(21) Appl. No.: **29/182,129**

(22) Filed: **May 20, 2003**

(51) **LOC (7) Cl.** **27-05**

(52) **U.S. Cl.** **D27/161**

(58) **Field of Search** D27/161; 431/257,
431/278, 280, 283, 284

(56) **References Cited**

U.S. PATENT DOCUMENTS

| | | | | |
|--------------|------|---------|------------------------|---------|
| 6,068,467 | A * | 5/2000 | Mandai et al. | 431/284 |
| 6,537,062 | B1 * | 3/2003 | Wong et al. | 431/278 |
| 2002/0064741 | A1 * | 5/2002 | Bartenbach et al. | 431/278 |
| 2002/0197579 | A1 * | 12/2002 | Wong | 431/257 |

* cited by examiner

Primary Examiner—Jennifer Rivard

(74) *Attorney, Agent, or Firm*—Raymond Y. Chan; David and Raymond Patent Group

(57) **CLAIM**

The ornamental design for a torch nozzle for lighter, as shown.

DESCRIPTION

FIG. 1 is a perspective view showing my new design.

FIG. 2 is a top view thereof.

FIG. 3 is a bottom view thereof.

FIG. 4 is a front view thereof.

FIG. 5 is a rear view thereof.

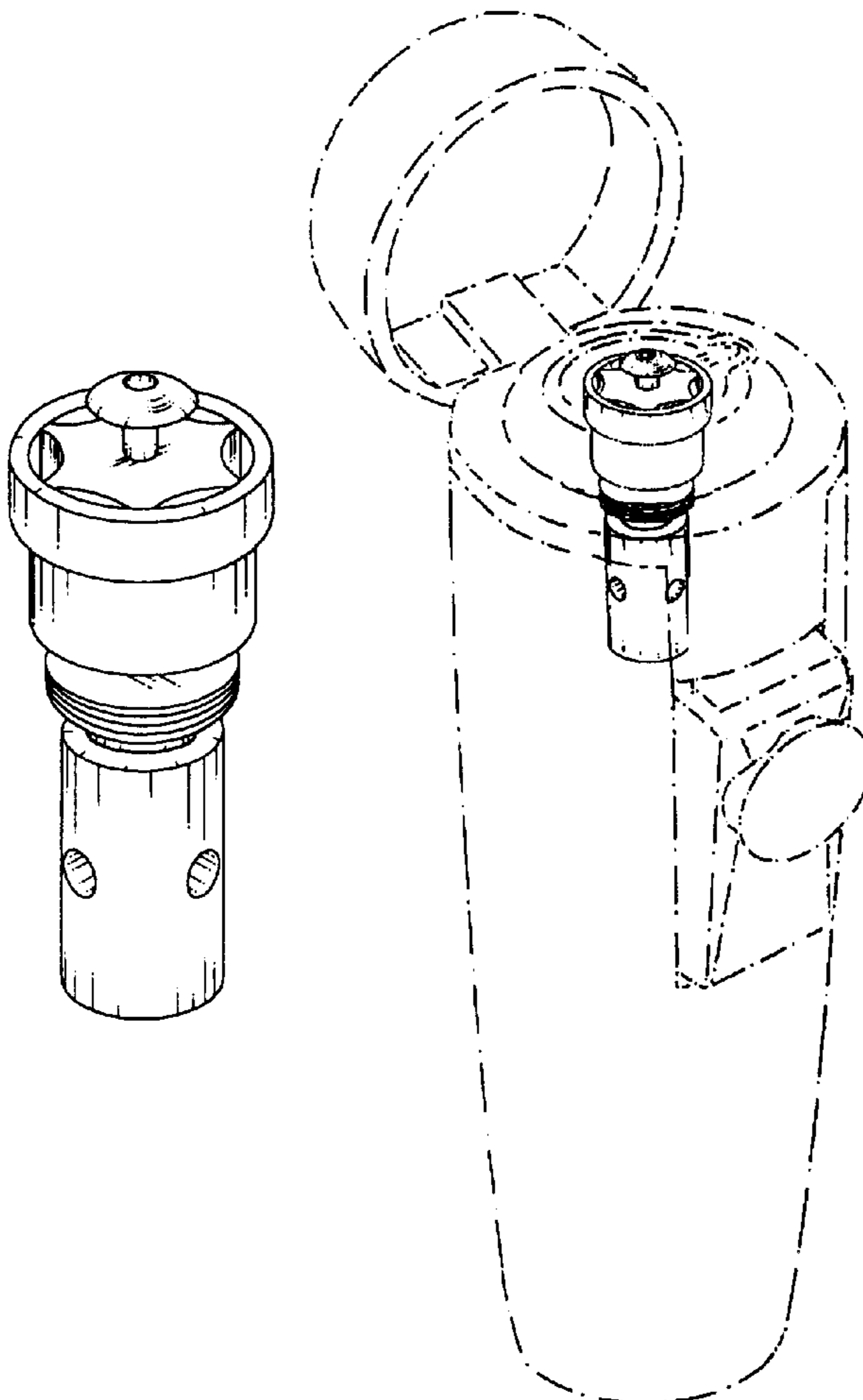
FIG. 6 is a right end view thereof.

FIG. 7 is a left end view thereof.

FIG. 8 is a perspective view thereof, the broken-line disclosure of various articles of lighter being for illustrative purposes only and forming no part of the claimed design; and,

FIG. 9 is an exploded view thereof.

1 Claim, 9 Drawing Sheets



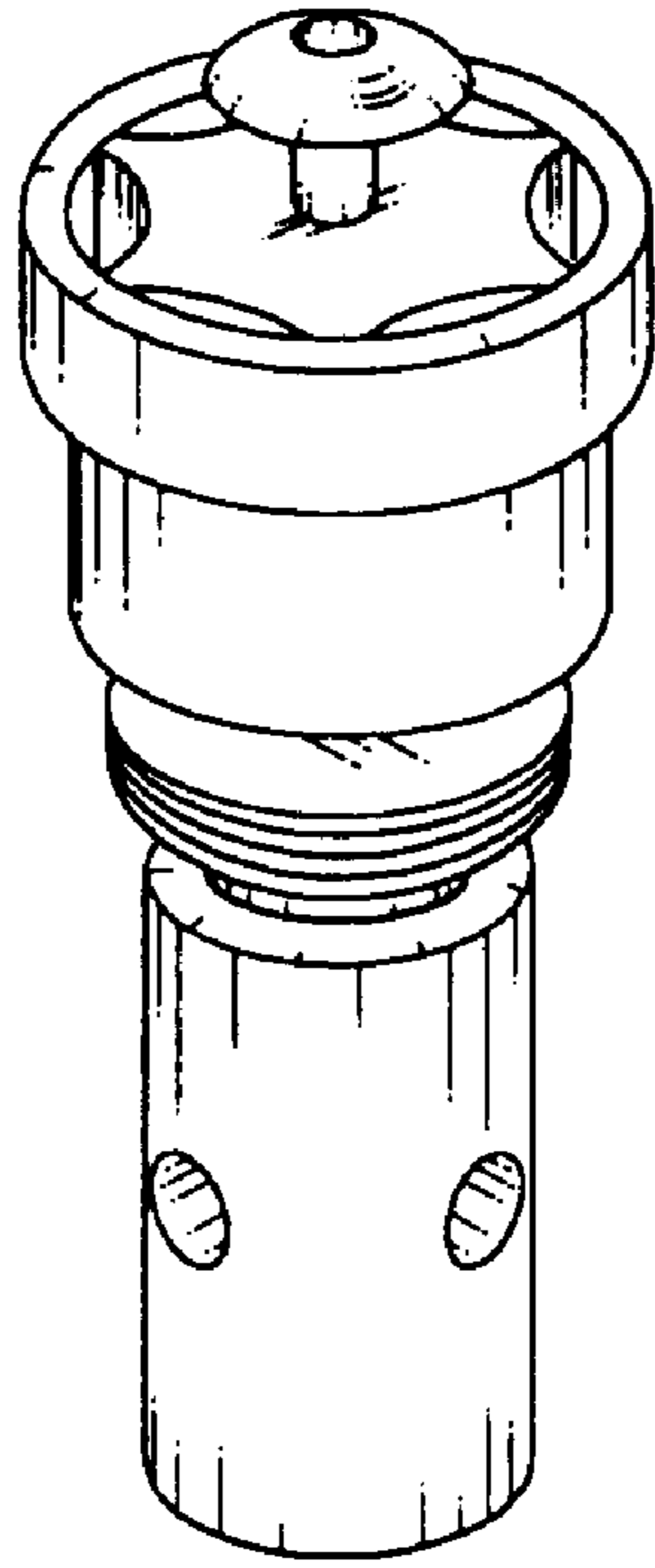


FIG. 1

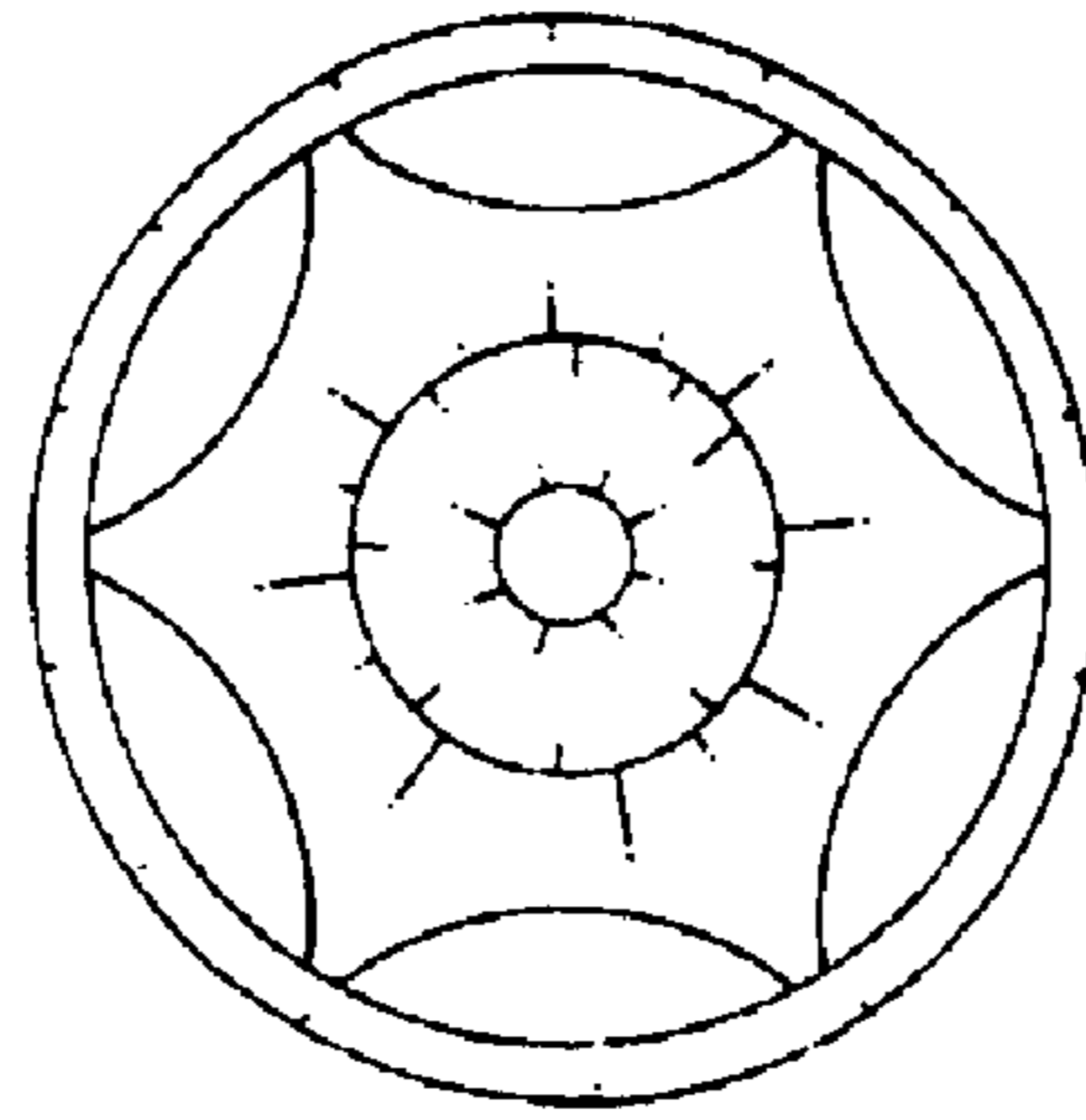


FIG. 2

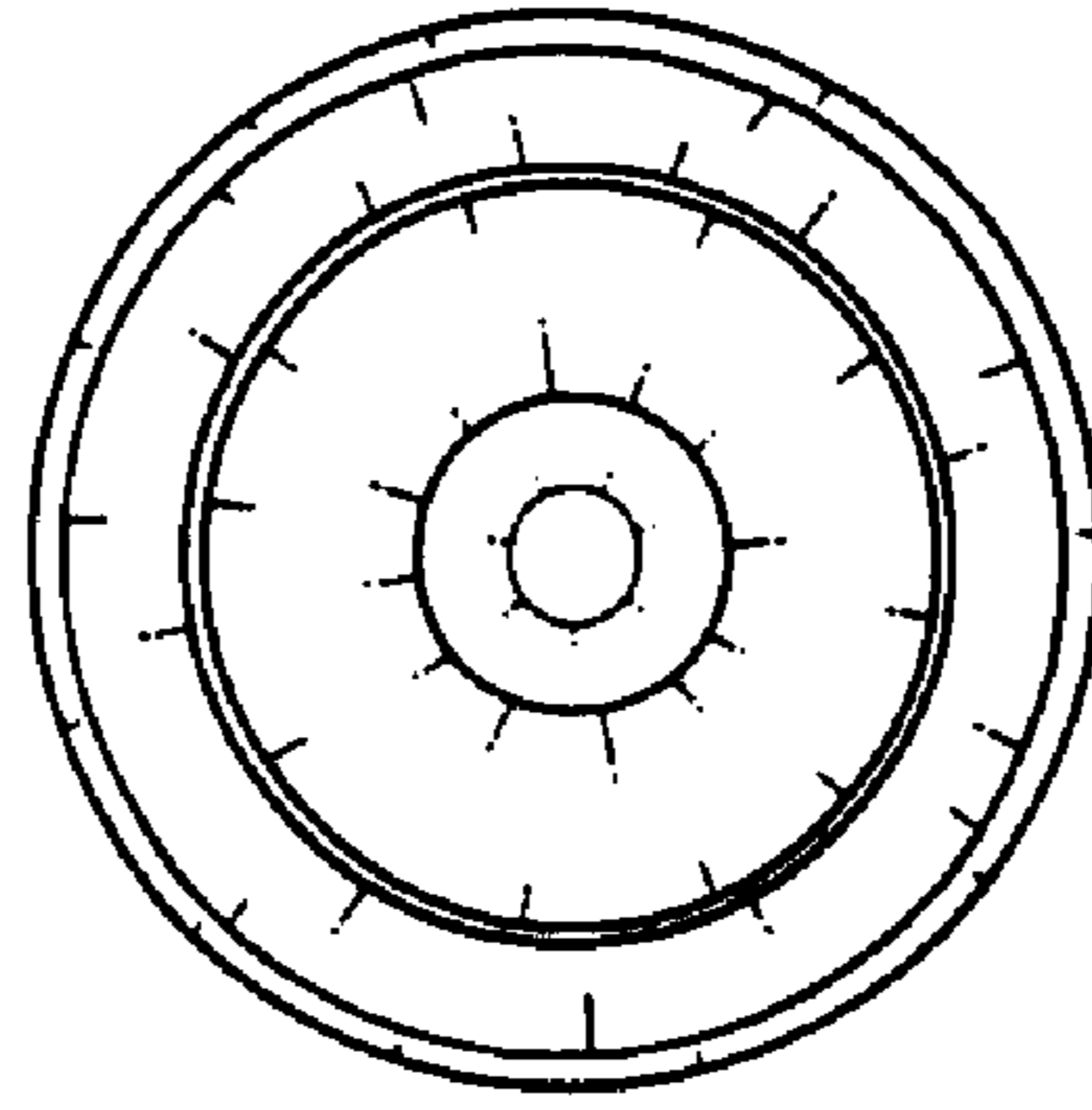


FIG. 3

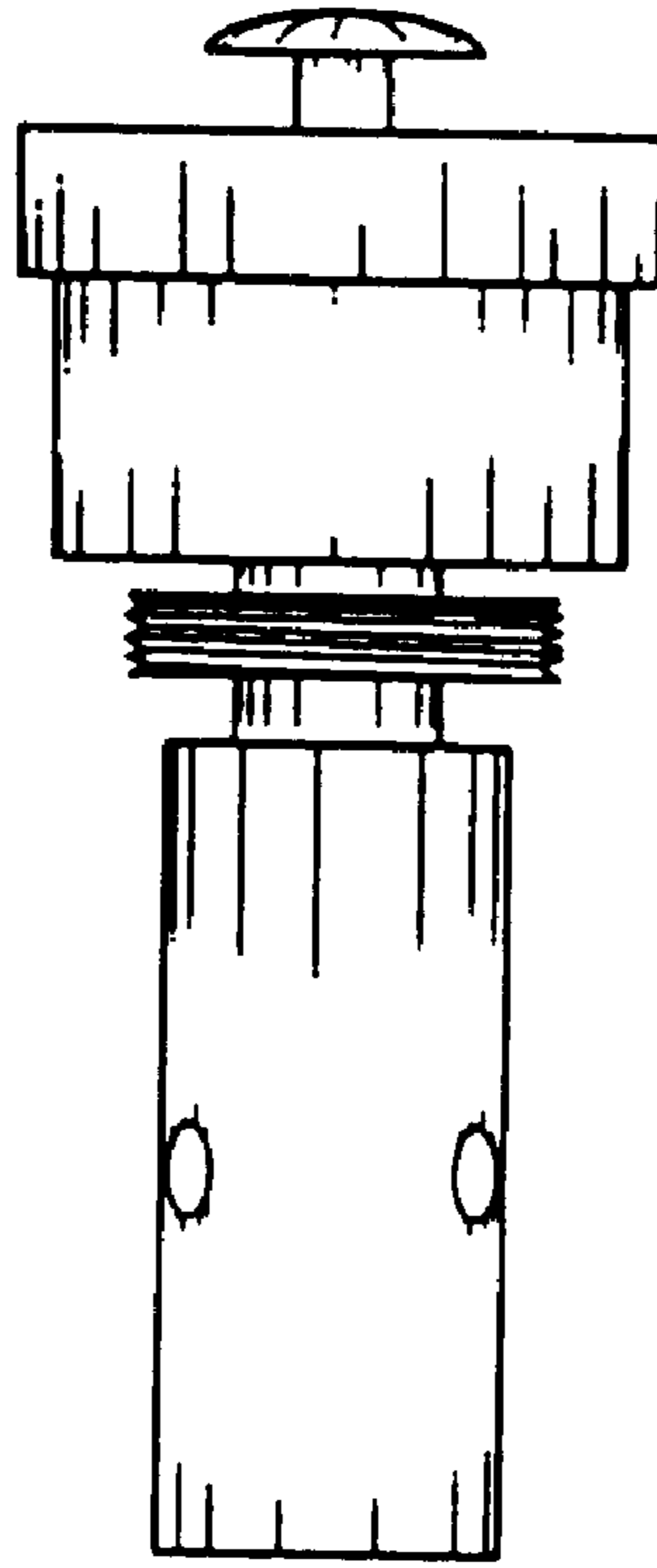


FIG. 4

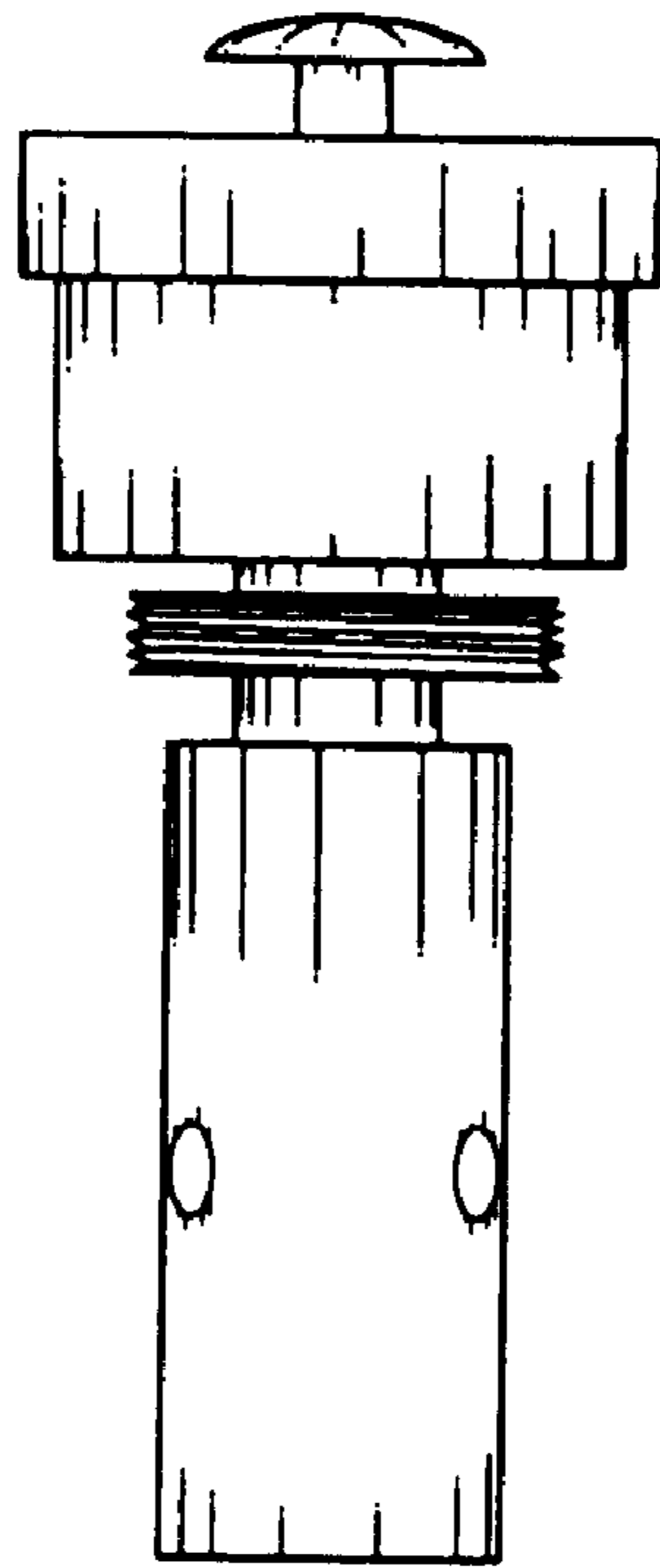


FIG. 5

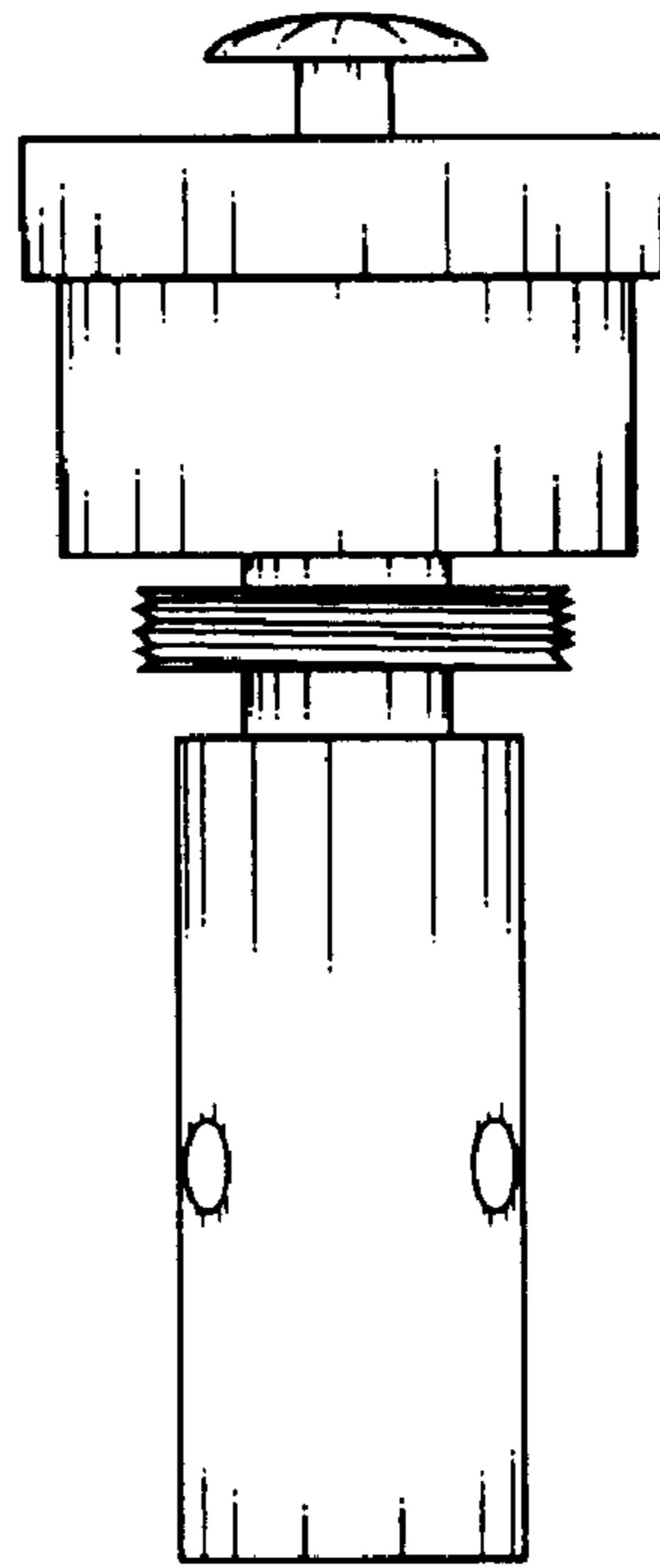


FIG. 6

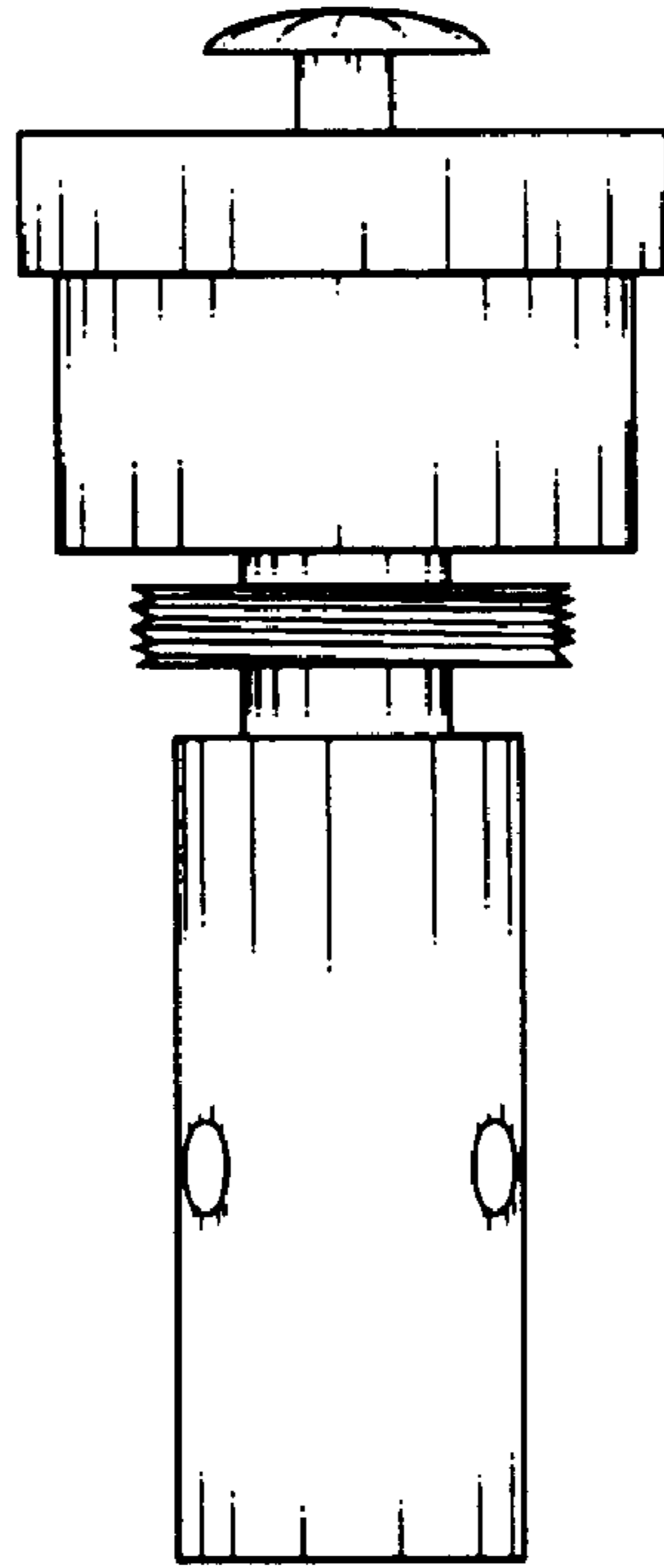


FIG. 7

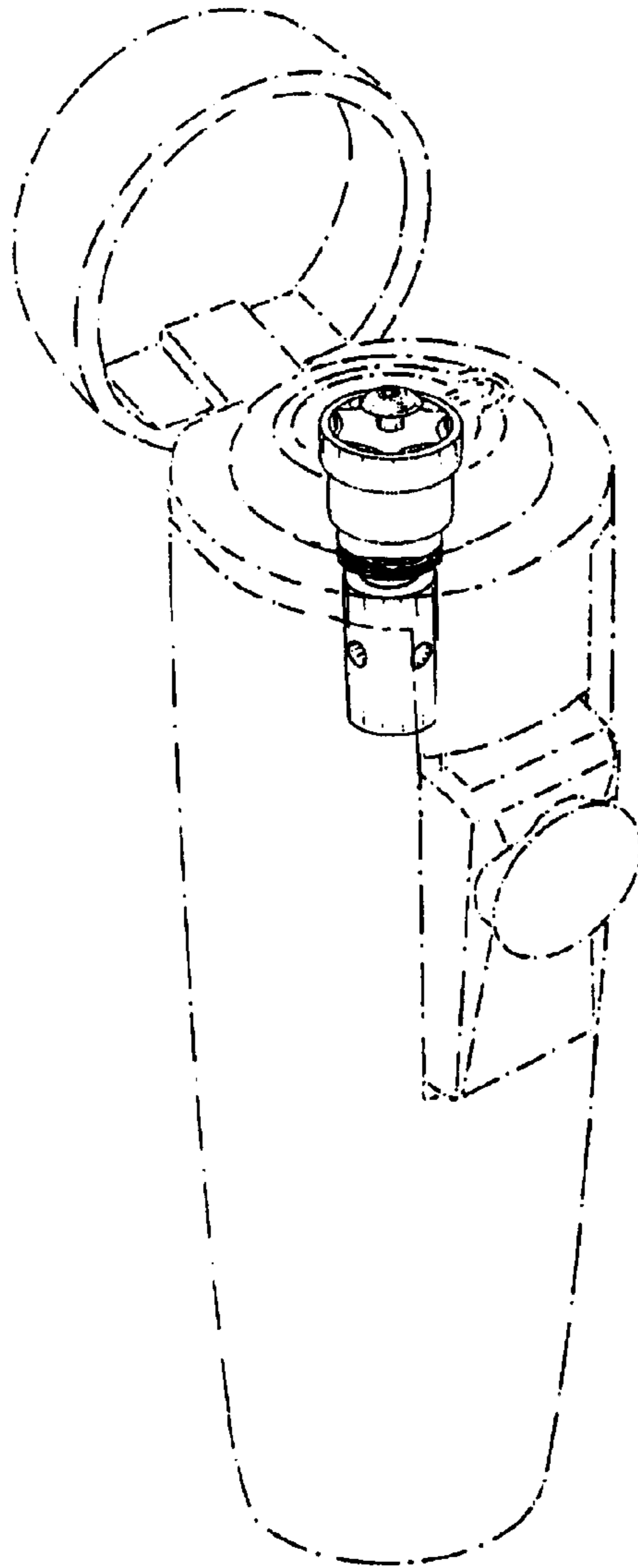


FIG. 8

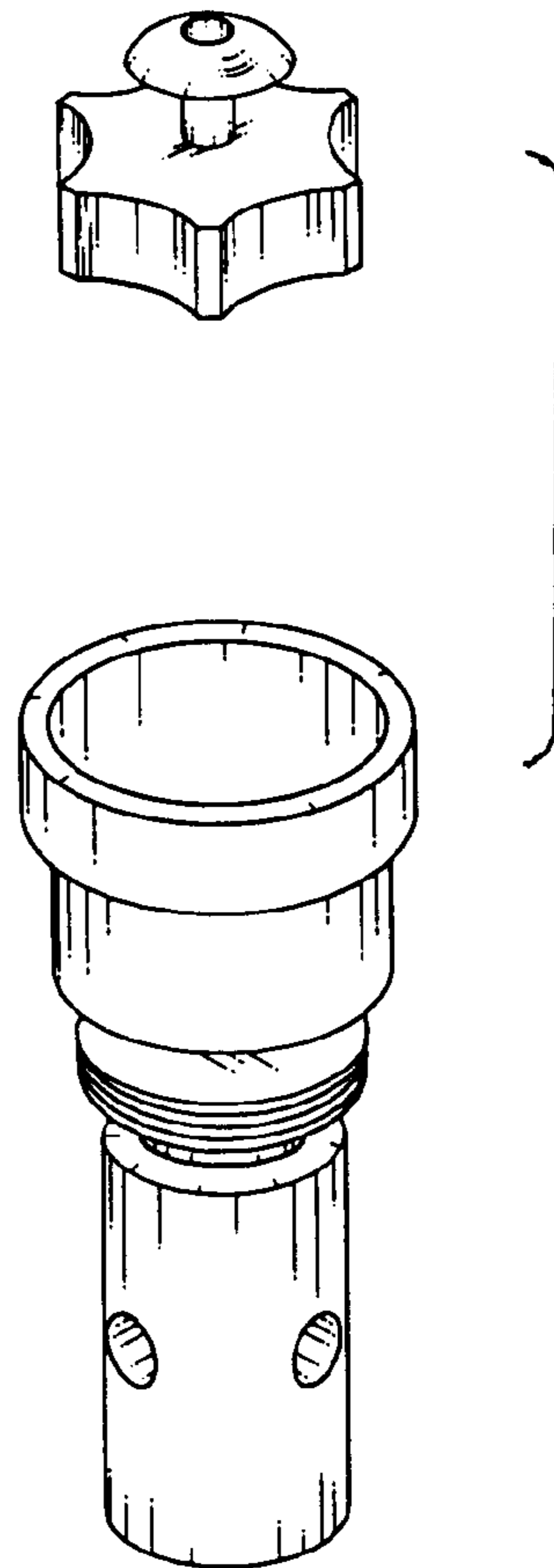


FIG. 9