



US00D487814S

(12) **United States Design Patent**  
**Hoernig**

(10) **Patent No.:** **US D487,814 S**

(45) **Date of Patent:** **\*\* Mar. 23, 2004**

(54) **DUAL WALL LIGHT**

D395,725 S \* 6/1998 West ..... D26/67  
D473,967 S \* 4/2003 Hoernig ..... D26/82

(75) Inventor: **Victor Hoernig**, Lowell, IN (US)

**OTHER PUBLICATIONS**

(73) Assignee: **Bath Unlimited, Inc.**, Fort Mill, SC (US)

Thomas Lighting 1996 catalog; p. 255; item 2WY100—Twin Cylinder Wall Bracket.\*

(\*\*) Term: **14 Years**

Progress Lighting Product catalog 124(c)2000; p. 307; item P5512-16.\*

(21) Appl. No.: **29/183,833**

\* cited by examiner

(22) Filed: **Jun. 18, 2003**

*Primary Examiner*—Clare E. Heflin

(51) **LOC (7) Cl.** ..... **26-03**

(74) *Attorney, Agent, or Firm*—Edgar A. Zarins; Lloyd D. Doigan

(52) **U.S. Cl.** ..... **D26/87; D26/82; D26/92**

(58) **Field of Search** ..... D26/24, 67-73,  
D26/80, 82, 84-92, 128; 362/145, 147,  
153, 153.1, 186, 257, 276, 312, 330, 351,  
354, 358, 361-363, 431-433, 806

(57) **CLAIM**

The ornamental design for a dual wall light, as shown and described.

(56) **References Cited**

**DESCRIPTION**

**U.S. PATENT DOCUMENTS**

D45,147 S	*	1/1914	Bryan	.....	D26/24
D145,696 S	*	10/1946	McCann	.....	D26/82
D228,146 S	*	8/1973	Schwartz	.....	D26/82
D294,739 S	*	3/1988	Joerger	.....	D26/87
D311,256 S	*	10/1990	Fratini	.....	D26/87
D337,842 S	*	7/1993	Yuen	.....	D26/65
5,246,285 A	*	9/1993	Redburn et al.	.....	362/276

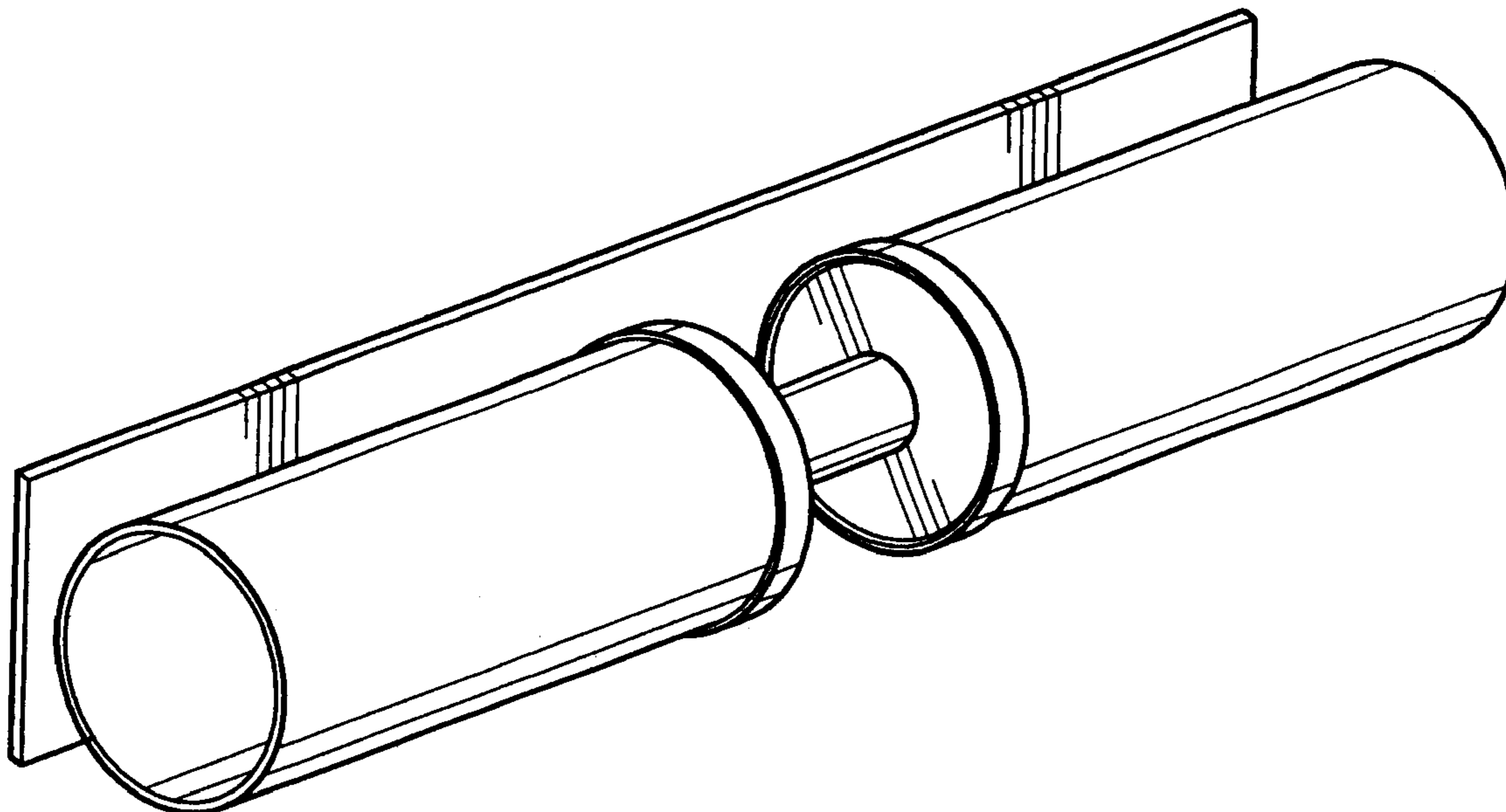
FIG. 1 is a perspective view of a dual wall light showing my new design;

FIG. 2 is a top plan view thereof, the opposite side being a mirror image of the side shown;

FIG. 3 is an end view thereof, the opposite end being a mirror image of the end shown; and,

FIG. 4 is a front elevational view thereof.

**1 Claim, 1 Drawing Sheet**



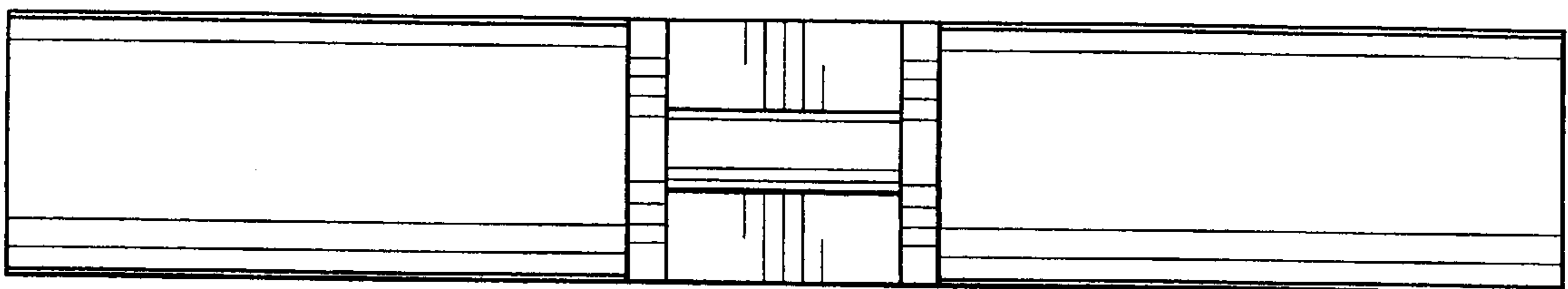
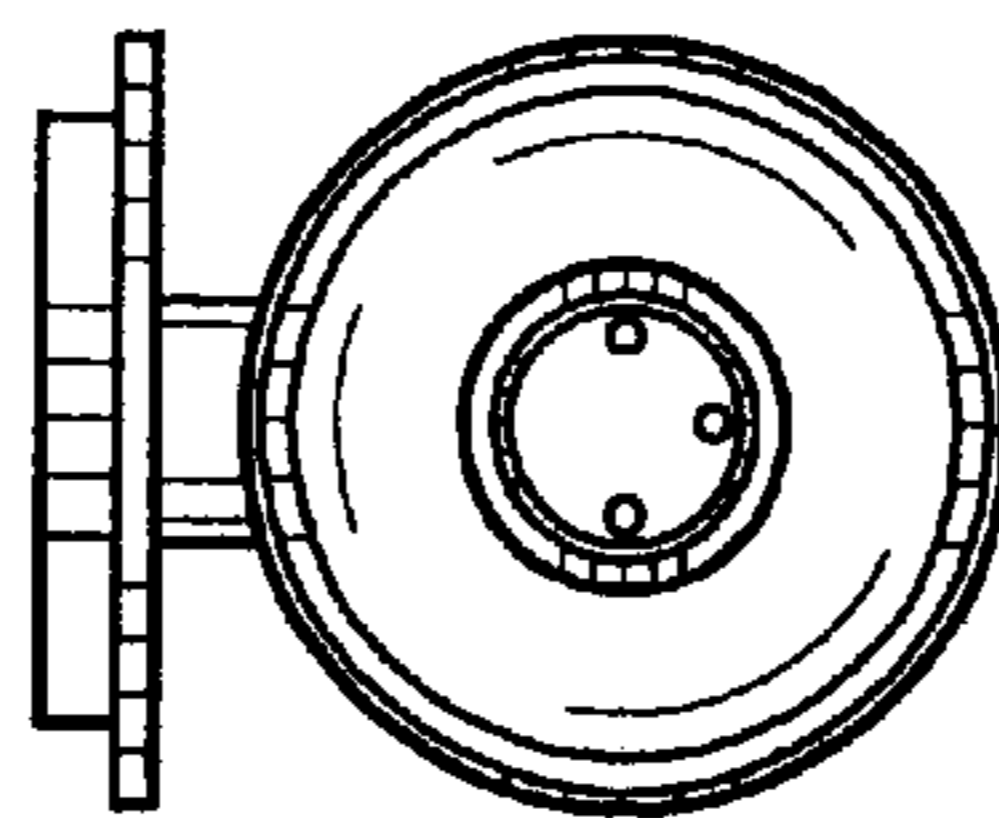
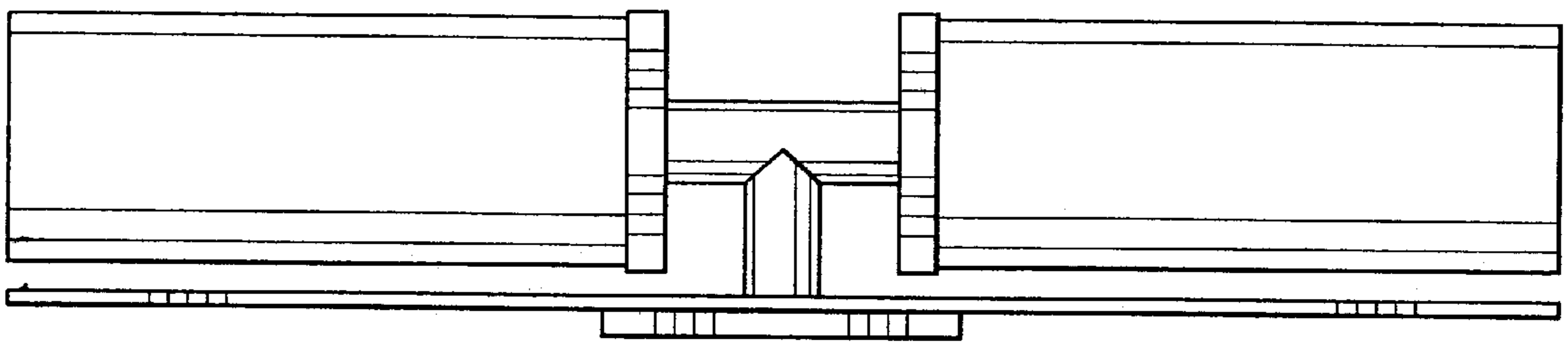
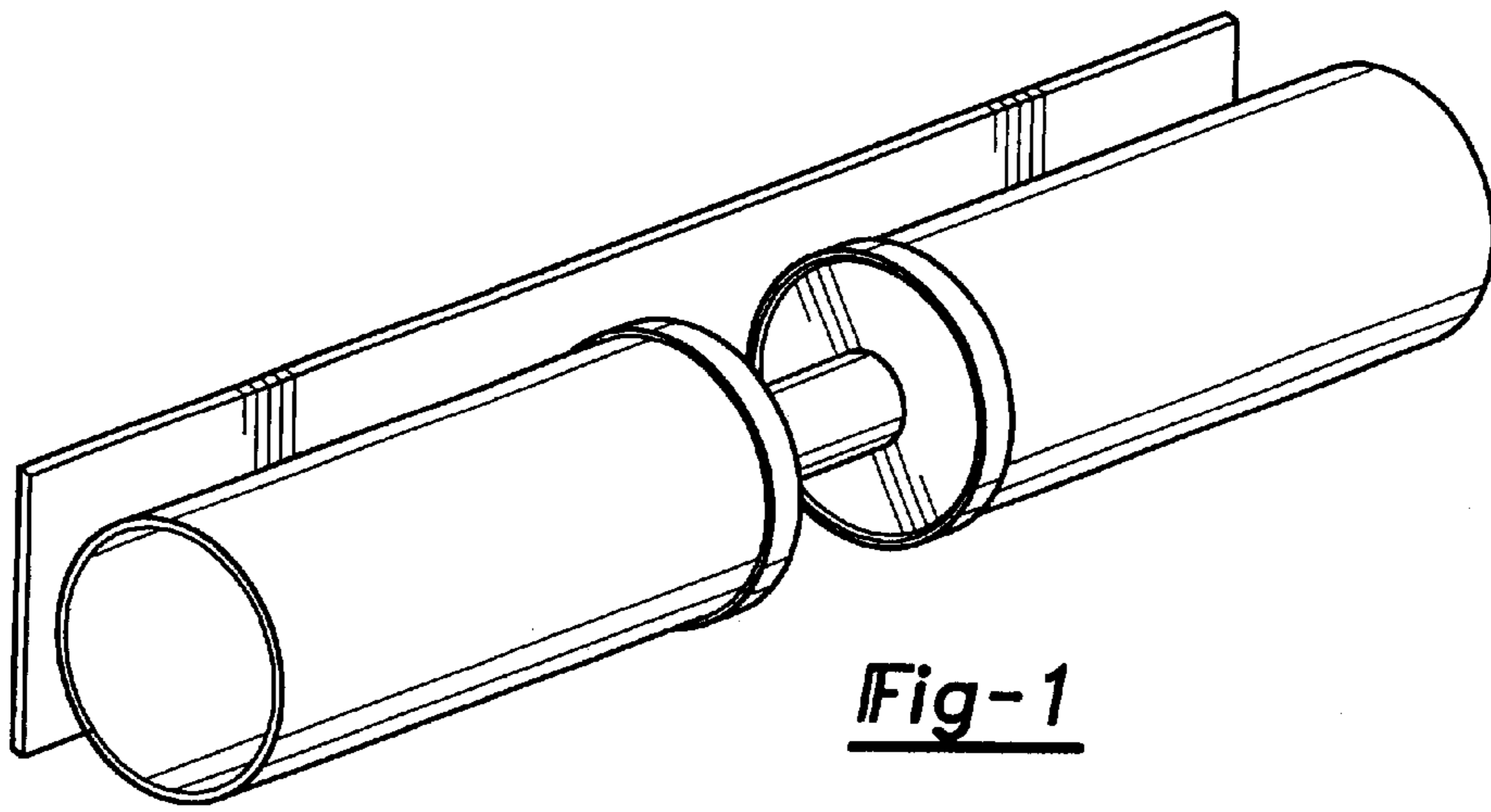


Fig-4