



US00D487813S

(12) **United States Design Patent**  
**Sherman**

(10) **Patent No.:** **US D487,813 S**

(45) **Date of Patent:** **\*\* Mar. 23, 2004**

(54) **LAMP INCLUDING A BASE AND A BALL SWITCH**

(75) Inventor: **Roger Sherman**, Chelsea, MA (US)

(73) Assignee: **Tensor Corporation**, Chelsea, MA (US)

(\*\*) Term: **14 Years**

(21) Appl. No.: **29/175,499**

(22) Filed: **Feb. 5, 2003**

(51) **LOC (7) Cl.** ..... **26-05**

(52) **U.S. Cl.** ..... **D26/65**

(58) **Field of Search** ..... D26/60-66; 362/401,  
362/402, 269, 275, 277-285, 287, 410-414,  
418, 419, 427, 428

(56) **References Cited**

**U.S. PATENT DOCUMENTS**

D310,886 S \* 9/1990 Gismondi et al. .... D26/65  
5,101,332 A \* 3/1992 Hsia ..... 362/401

\* cited by examiner

*Primary Examiner*—Alan P. Douglas

*Assistant Examiner*—Linda Brooks

(74) *Attorney, Agent, or Firm*—Todd S. Parkhurst; Robert J. Depke; Lewis Steadman, Sr.

(57) **CLAIM**

The ornamental design for a lamp including a base and a ball switch, as shown and described.

**DESCRIPTION**

FIG. 1 is an isometric view of the lamp, the lamp base and the ball switch.

FIG. 2 is a right side elevational view of the lamp, the lamp base and the ball switch shown in FIG. 1.

FIG. 3 is a left side elevational view of the lamp, the lamp base and the ball switch shown in FIGS. 1 and 2.

FIG. 4 is a front elevational view of the lamp, the lamp base and the ball switch shown in FIGS. 1-3.

FIG. 5 is a rear elevational view of the lamp, the lamp base and the ball switch shown in FIGS. 1-4.

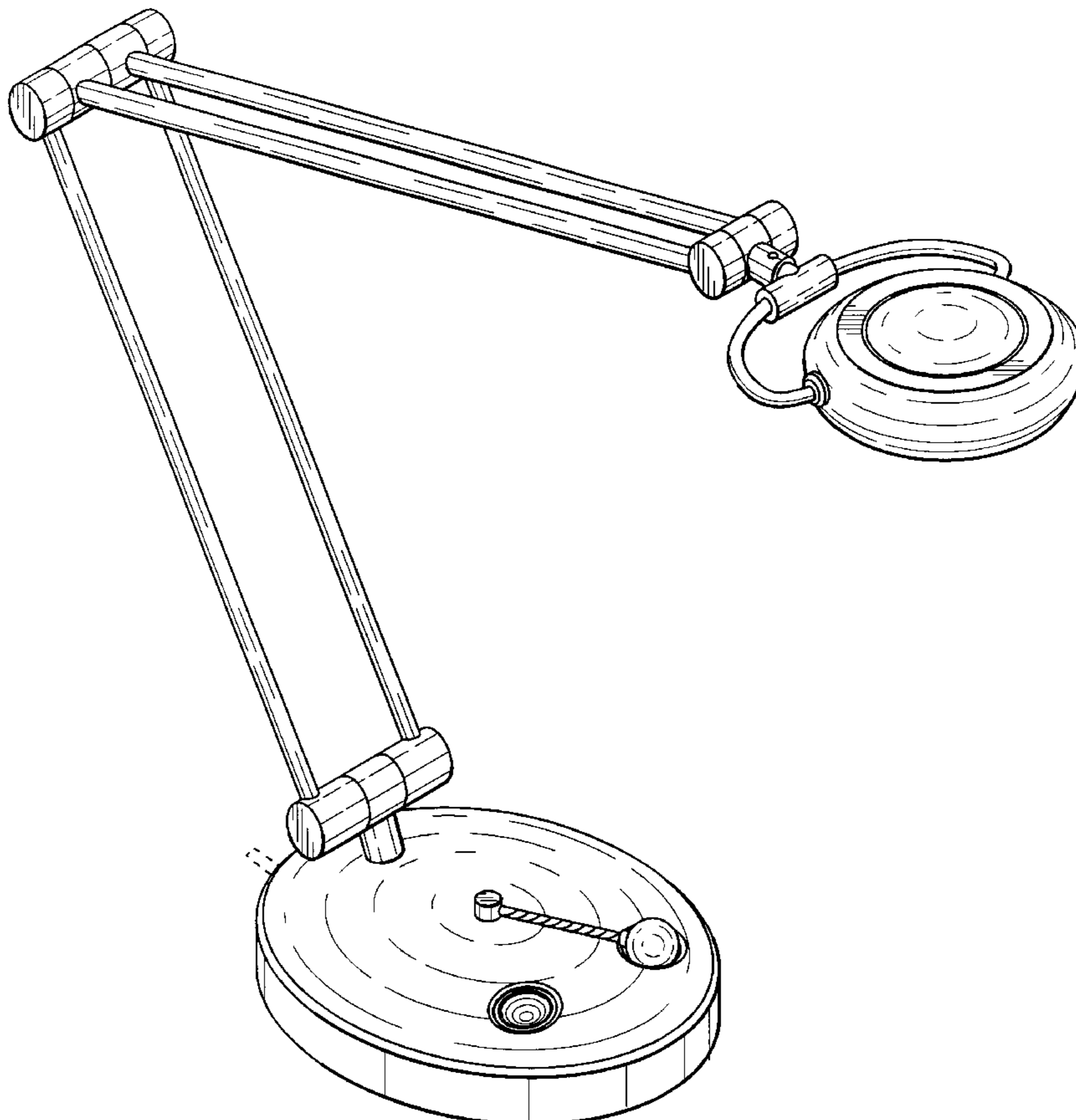
FIG. 6 is a top plan view of the lamp, the lamp base and the ball switch shown in FIGS. 1-5.

FIG. 7 is a bottom plan view of the lamp, the lamp base and the ball switch shown in FIGS. 1-6; and,

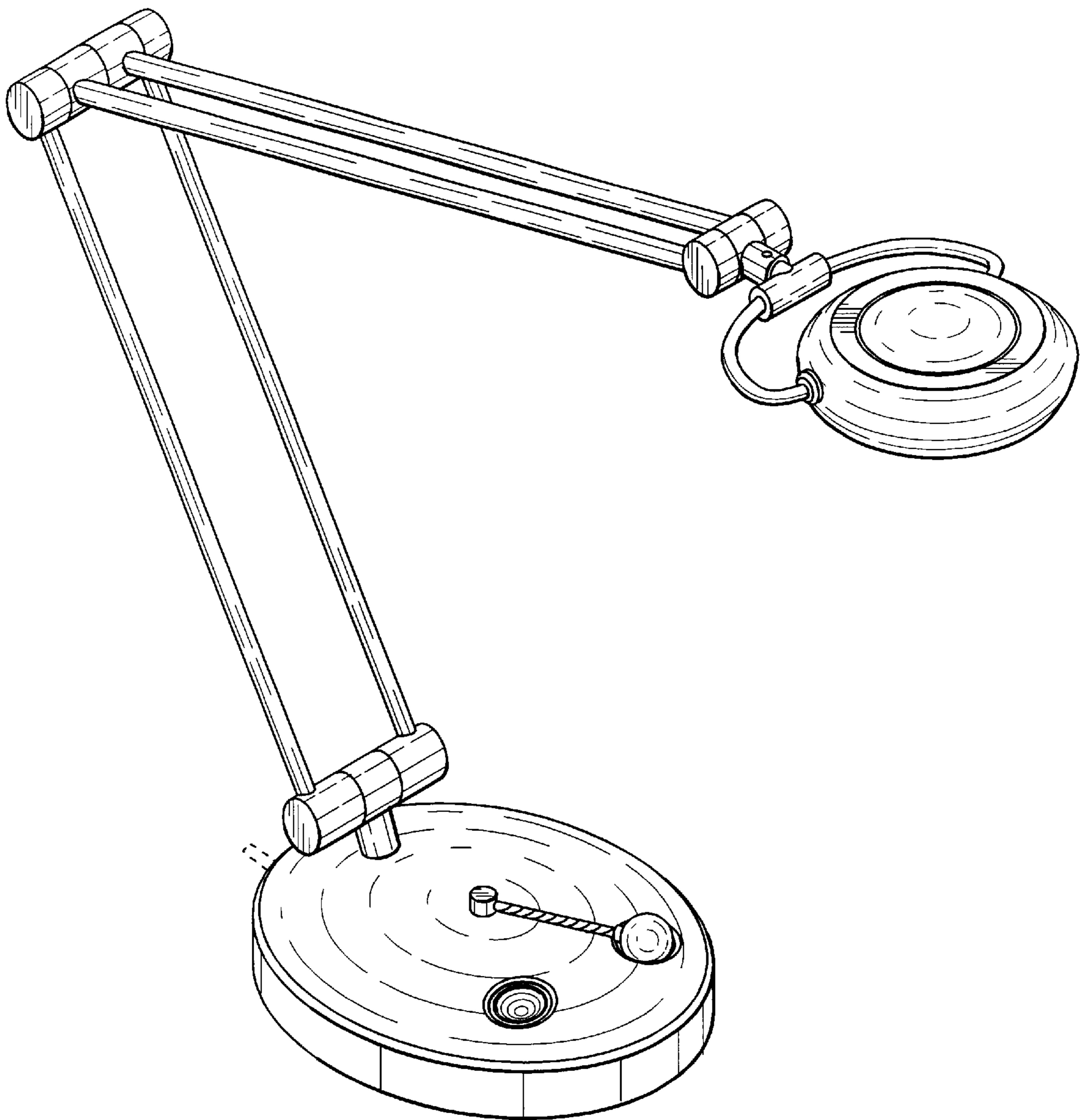
FIG. 8 is an isometric view of the lamp, the lamp base and the ball switch similar to FIG. 1, but showing the ball switch in an alternate position.

The broken lines shown are for illustrative purposes only and form no part of the claimed design.

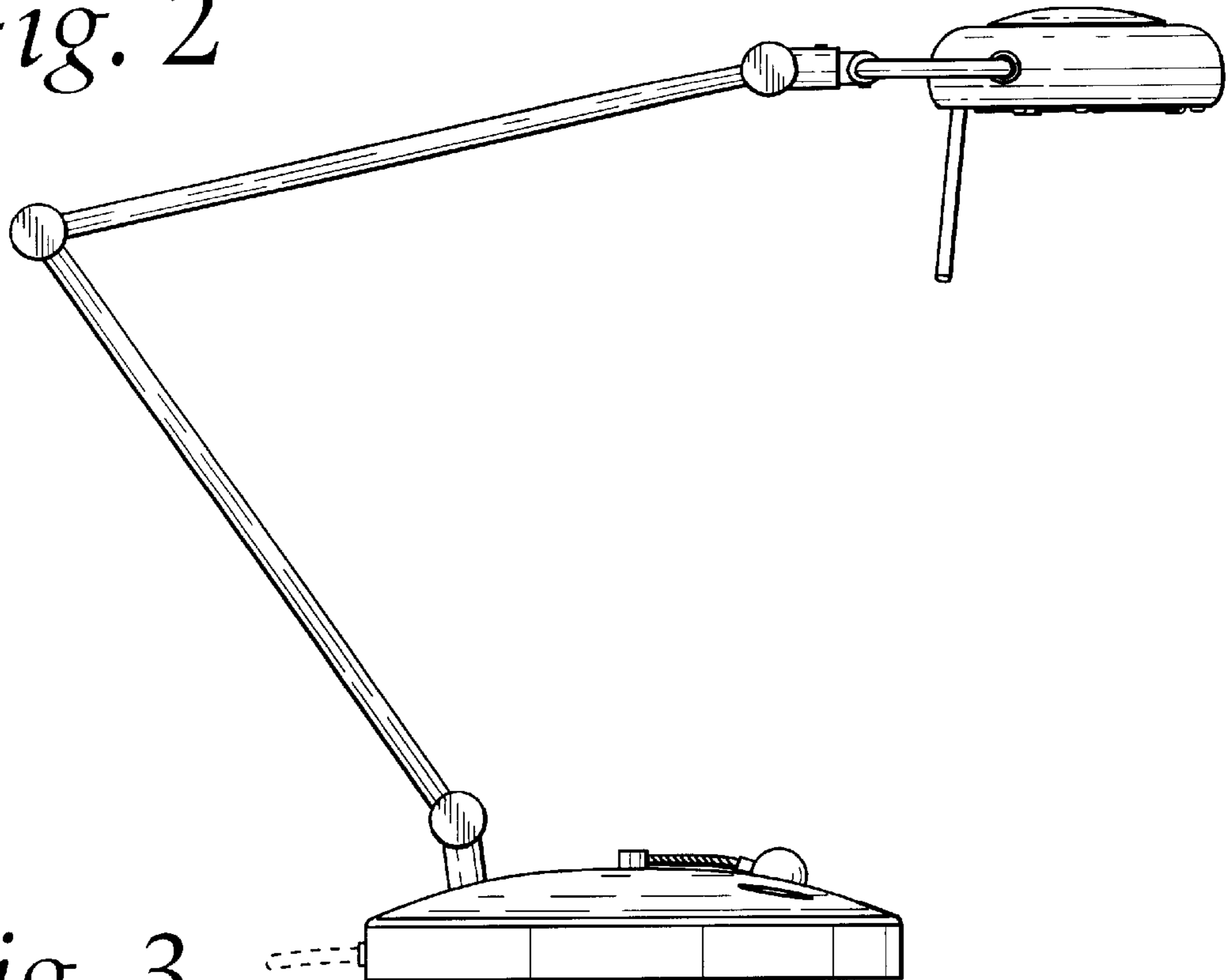
**1 Claim, 5 Drawing Sheets**



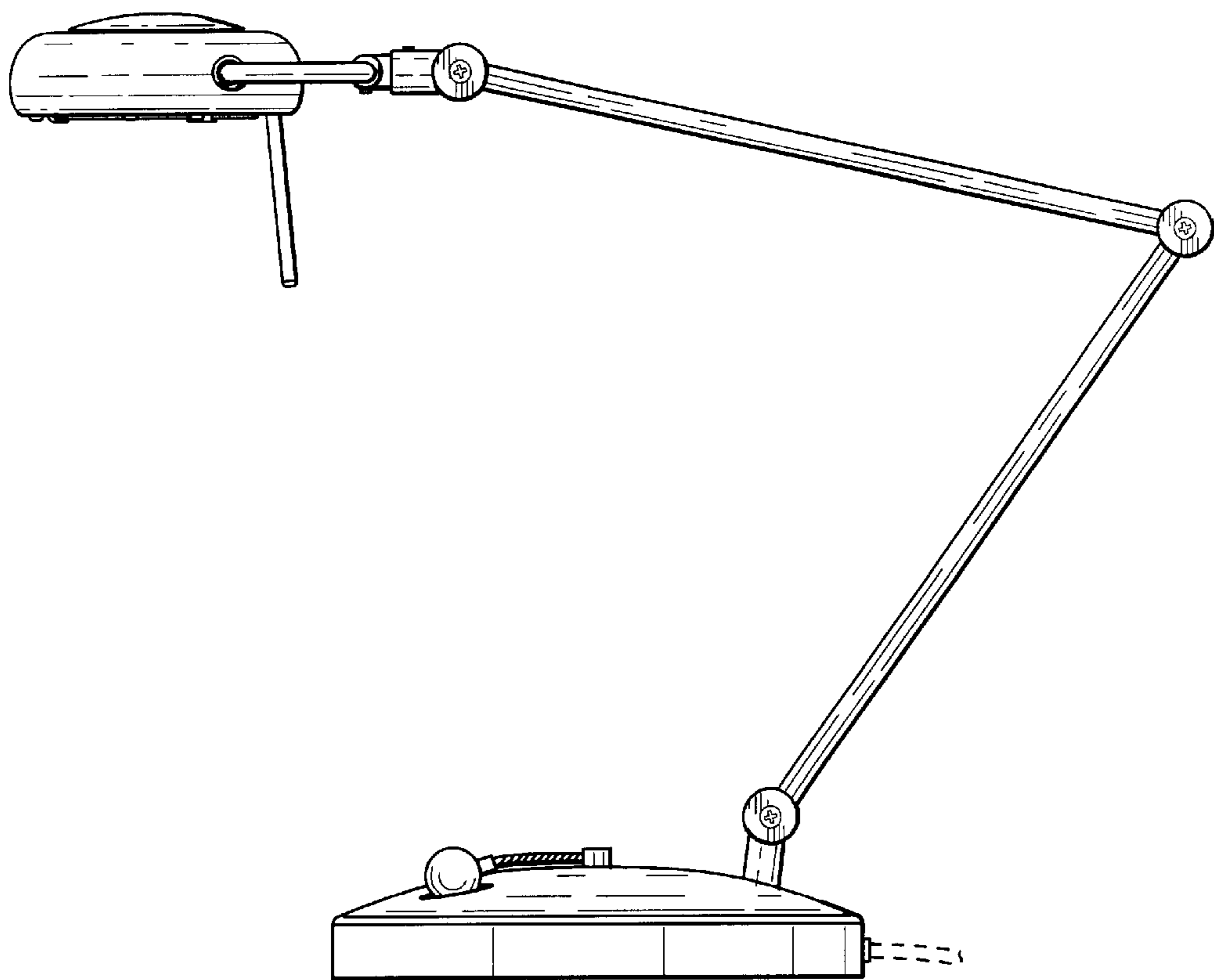
*Fig. 1*



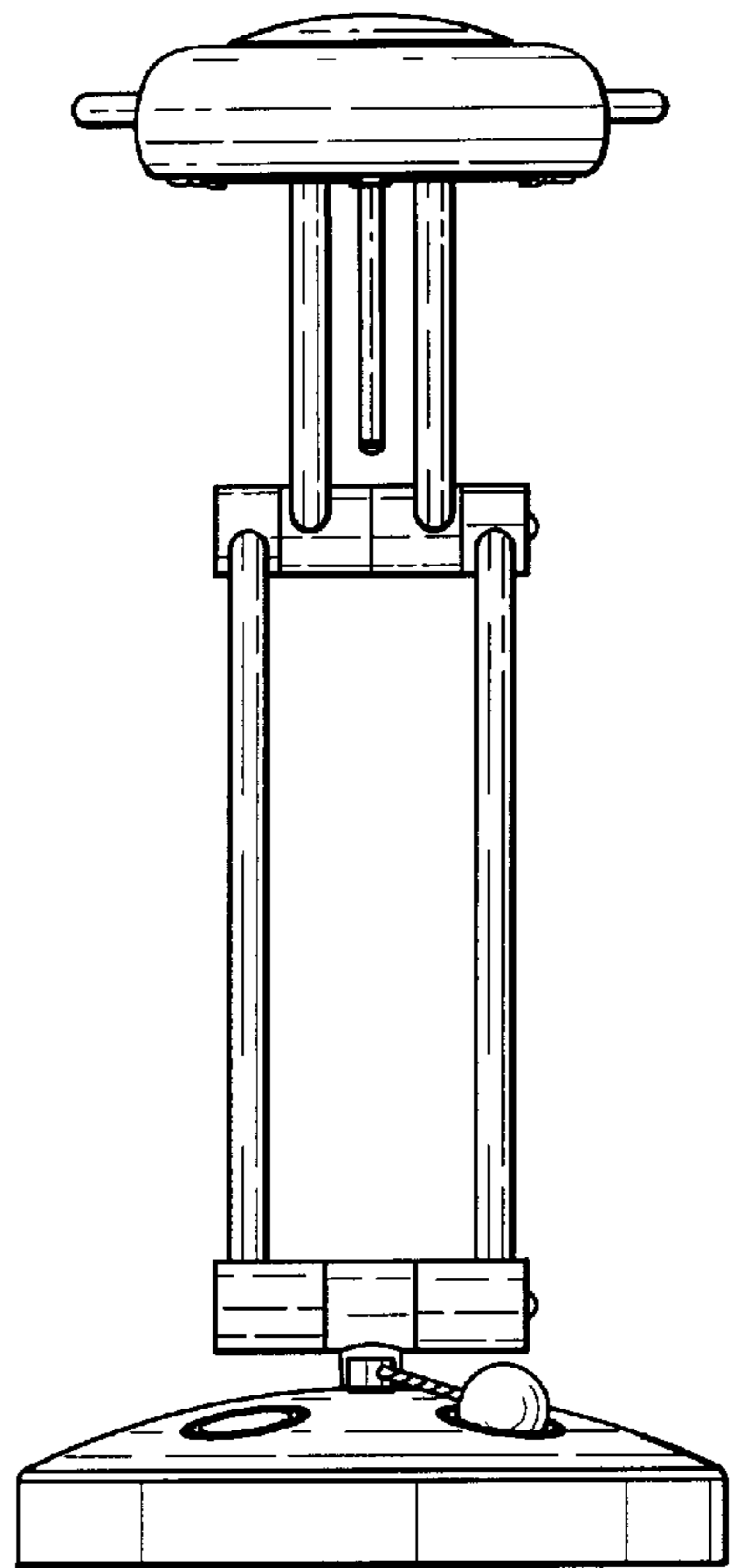
*Fig. 2*



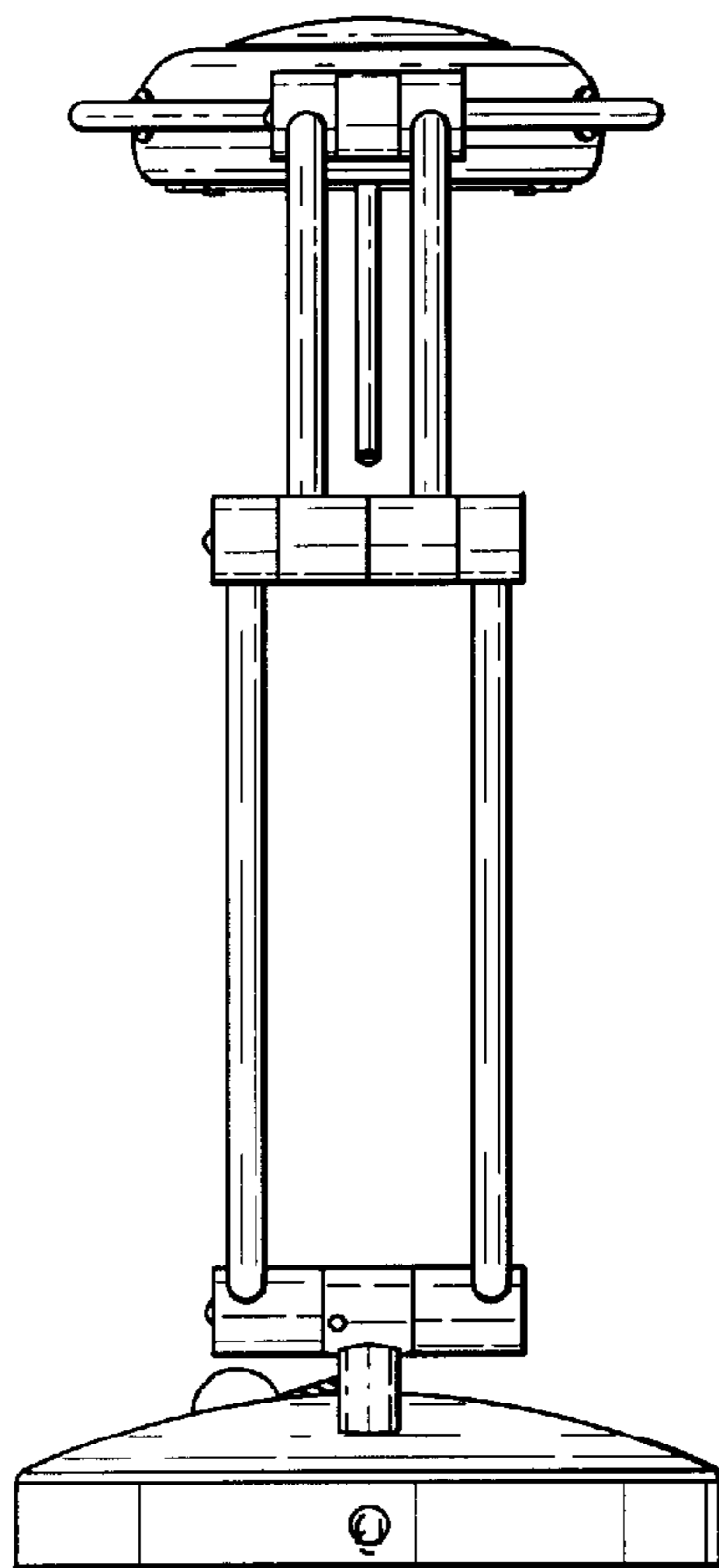
*Fig. 3*



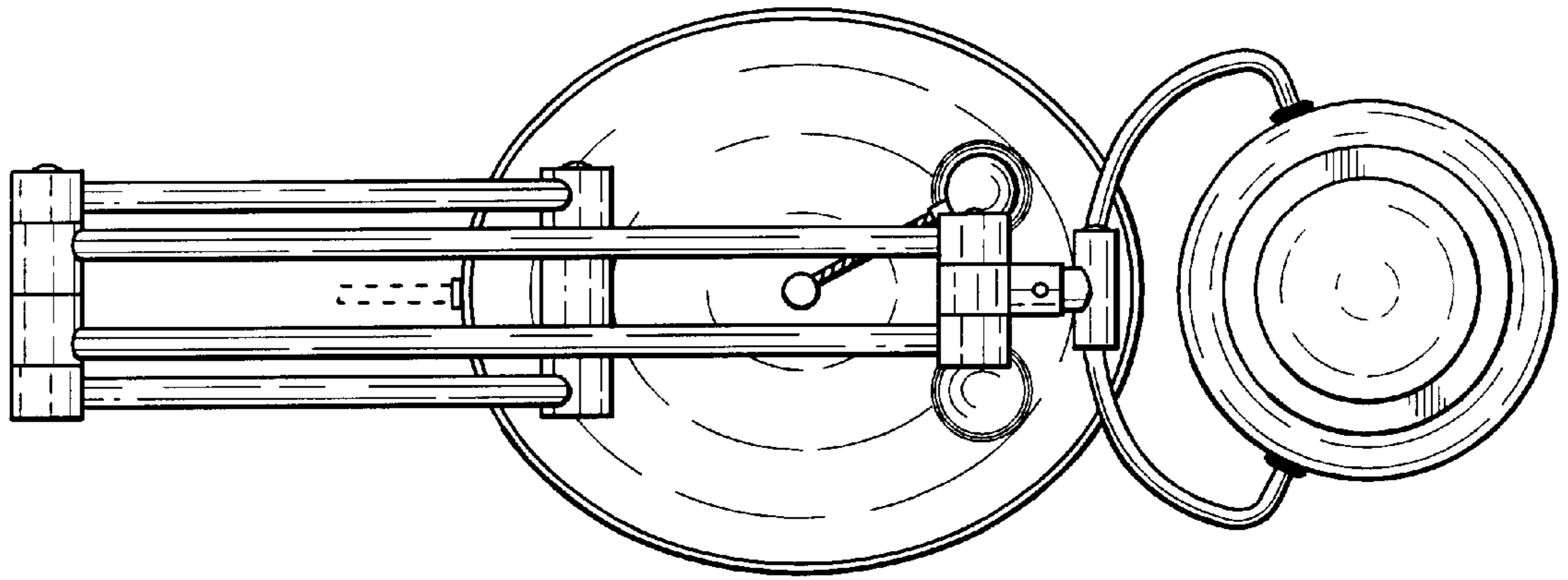
*Fig. 4*



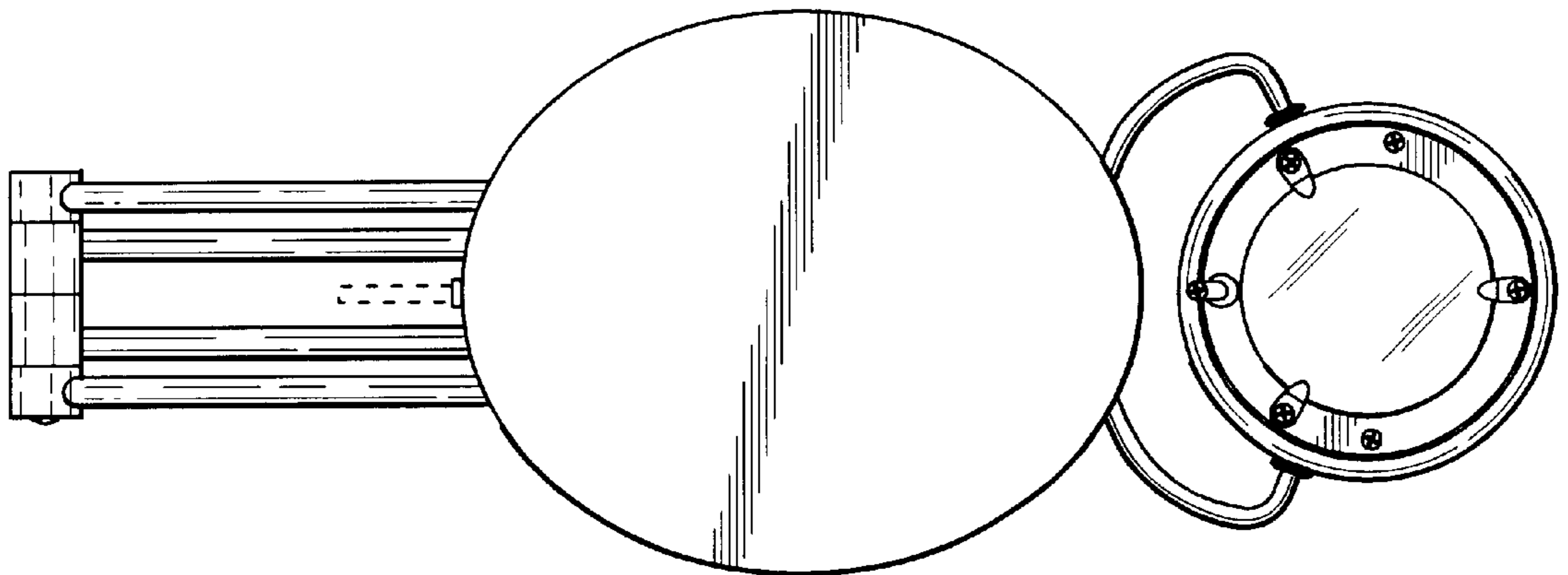
*Fig. 5*



*Fig. 6*



*Fig. 7*



*Fig. 8*

