



US00D487811S

(12) **United States Design Patent**
Stauffer

(10) **Patent No.:** **US D487,811 S**

(45) **Date of Patent:** **** Mar. 23, 2004**

(54) **CEILING FAN LIGHT KIT**

(75) **Inventor:** **Michael J. Stauffer**, Memphis, TN (US)

(73) **Assignee:** **Hunter Fan Company**, Memphis, TN (US)

(**) **Term:** **14 Years**

(21) **Appl. No.:** **29/181,377**

(22) **Filed:** **May 8, 2003**

(51) **LOC (7) Cl.** **26-05**

(52) **U.S. Cl.** **D26/59**

(58) **Field of Search** D23/377, 379,
D23/385, 411; D26/59, 51, 72-92; 362/147,
404-408, 431; 416/5

(56) **References Cited**

U.S. PATENT DOCUMENTS

D449,396 S * 10/2001 Campbell D26/59
D478,183 S * 8/2003 Burns D26/59

OTHER PUBLICATIONS

Casablanca Fan Company 2002 Product Catalog p. 72 and
73 Glass Accessories, Center Glass, p. 68 New 2002 Light

Fixtures, p. 66 Light Fixtures, p. 49 (LeGrande), p. 44 (Stealth), p. 33 (Panama).

Hunter Fan Company 2002 Brochure, Chandelle Light Fixtures, Outdoor Listed Light Fixtures, Energy Efficient Light Fixtures, Spotlight Fixtures, Low Profile Light Fixtures, Accessory Glass, Ceiling Fan Light Fixtures, Dual Use Light Fixtures, Tiffany Art Glass, Aurora Glass, 12" Lead Crystal, and 12" Bowl Light Fixtures.

* cited by examiner

Primary Examiner—Lisa Lichtenstein

(74) *Attorney, Agent, or Firm*—Baker Donelson

(57) **CLAIM**

The ornamental design for a ceiling fan light kit, as shown and described.

DESCRIPTION

FIG. 1 is a perspective view of a ceiling fan light kit showing my new design.

FIG. 2 is a bottom view thereof.

FIG. 3 is a top view thereof.

FIG. 4 is a front view thereof, the rear view being the same thereof; and,

FIG. 5 is a right side view thereof, the left side view being the same thereof.

1 Claim, 3 Drawing Sheets

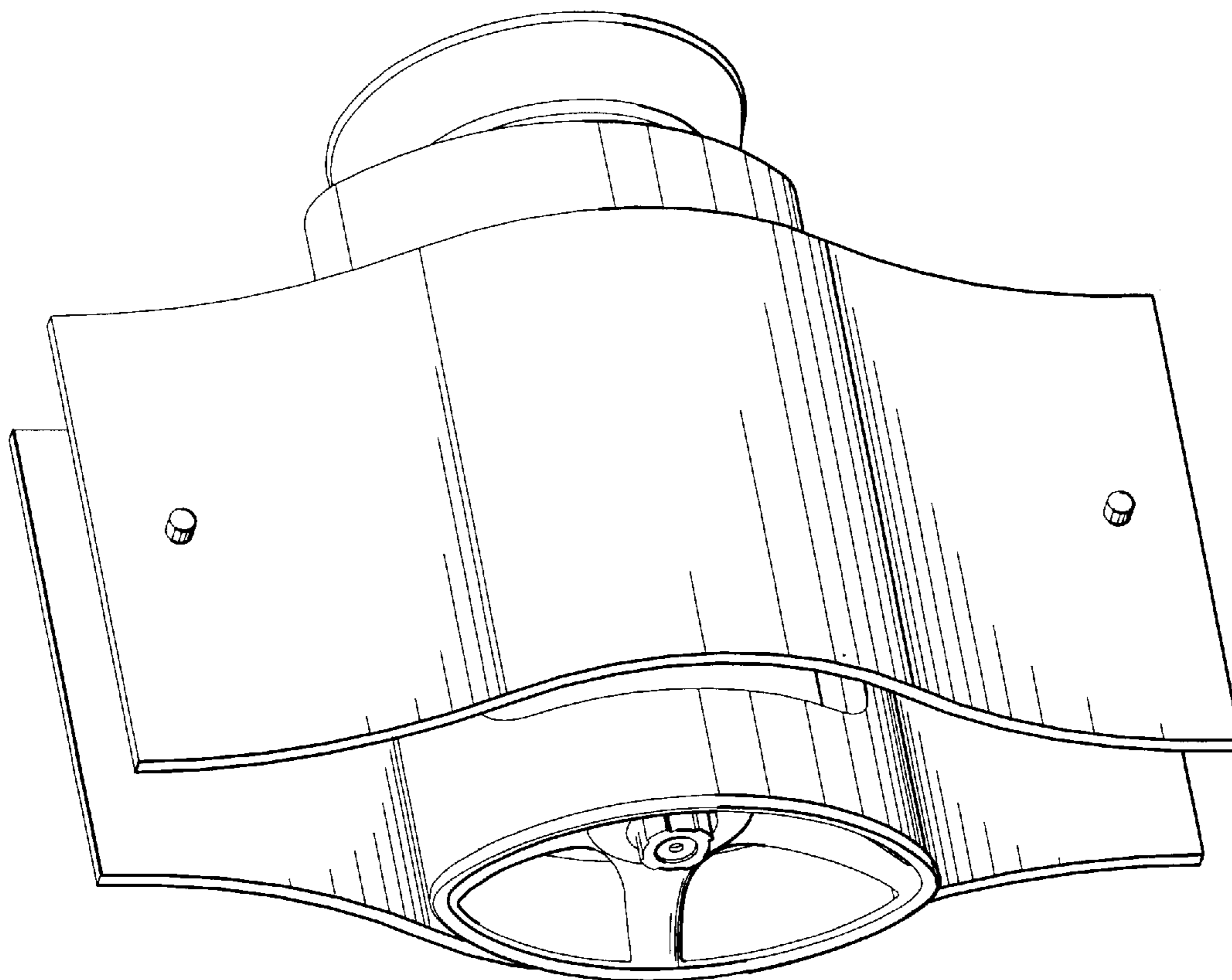


Fig. 1

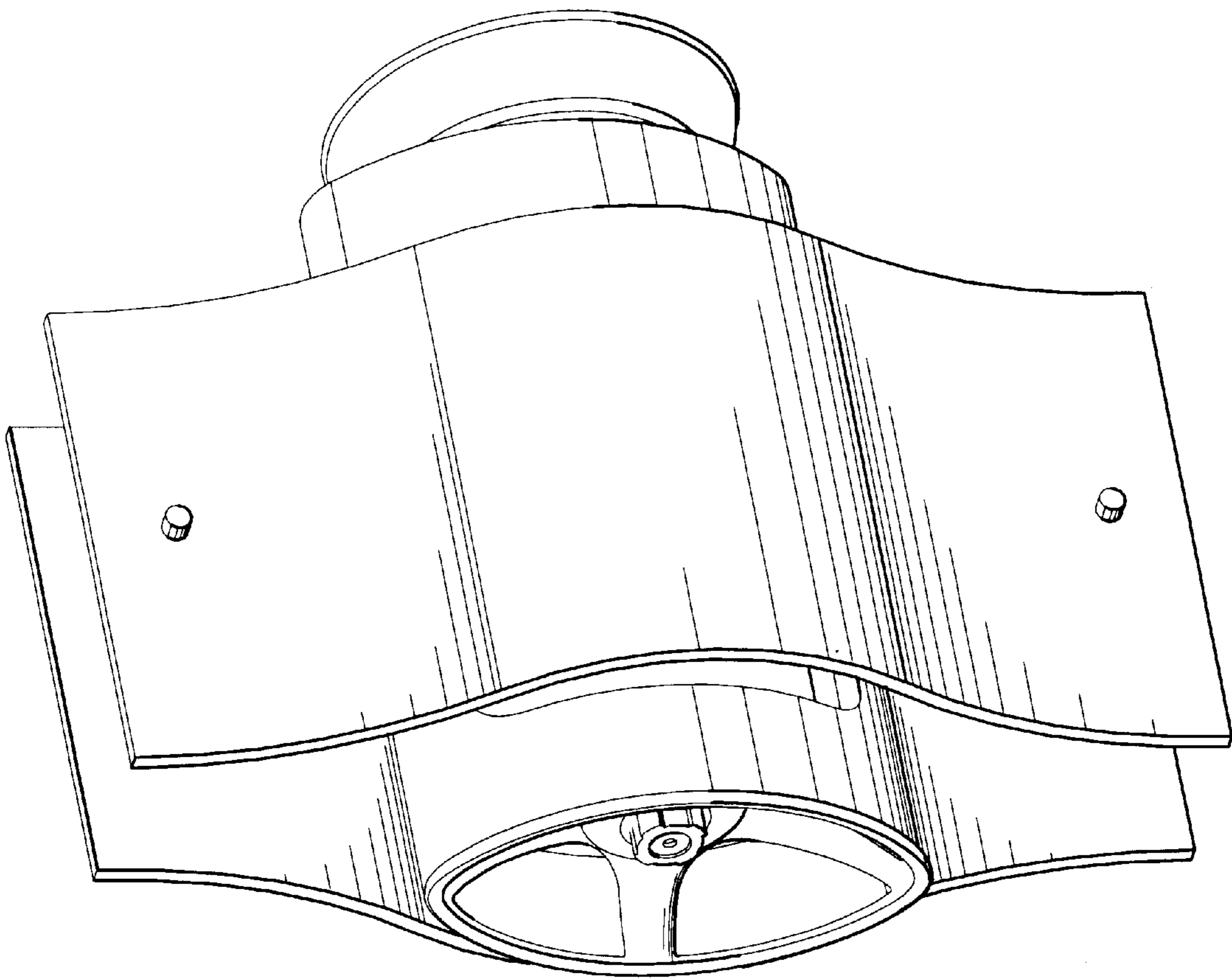


Fig. 2

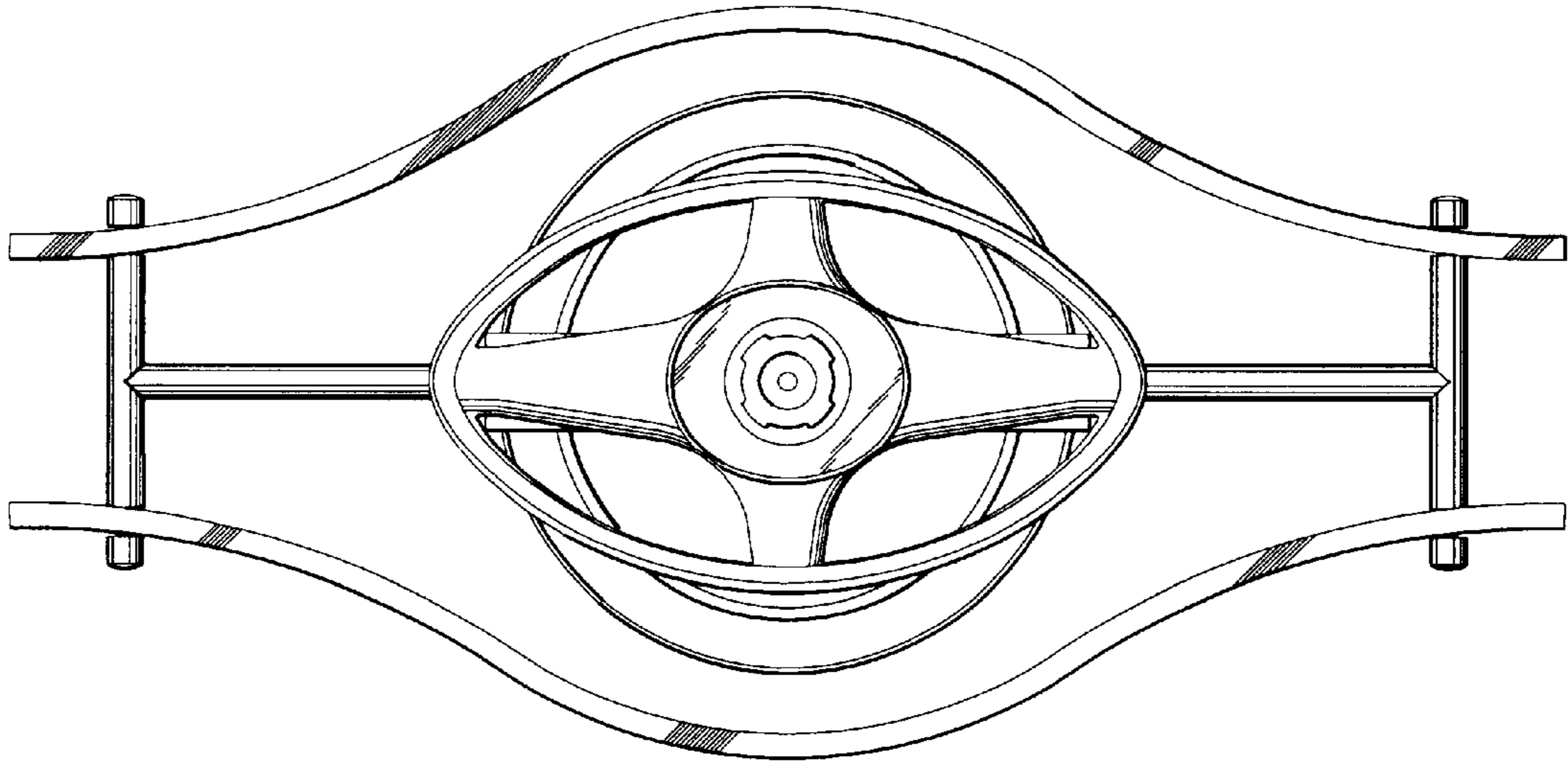


Fig. 3

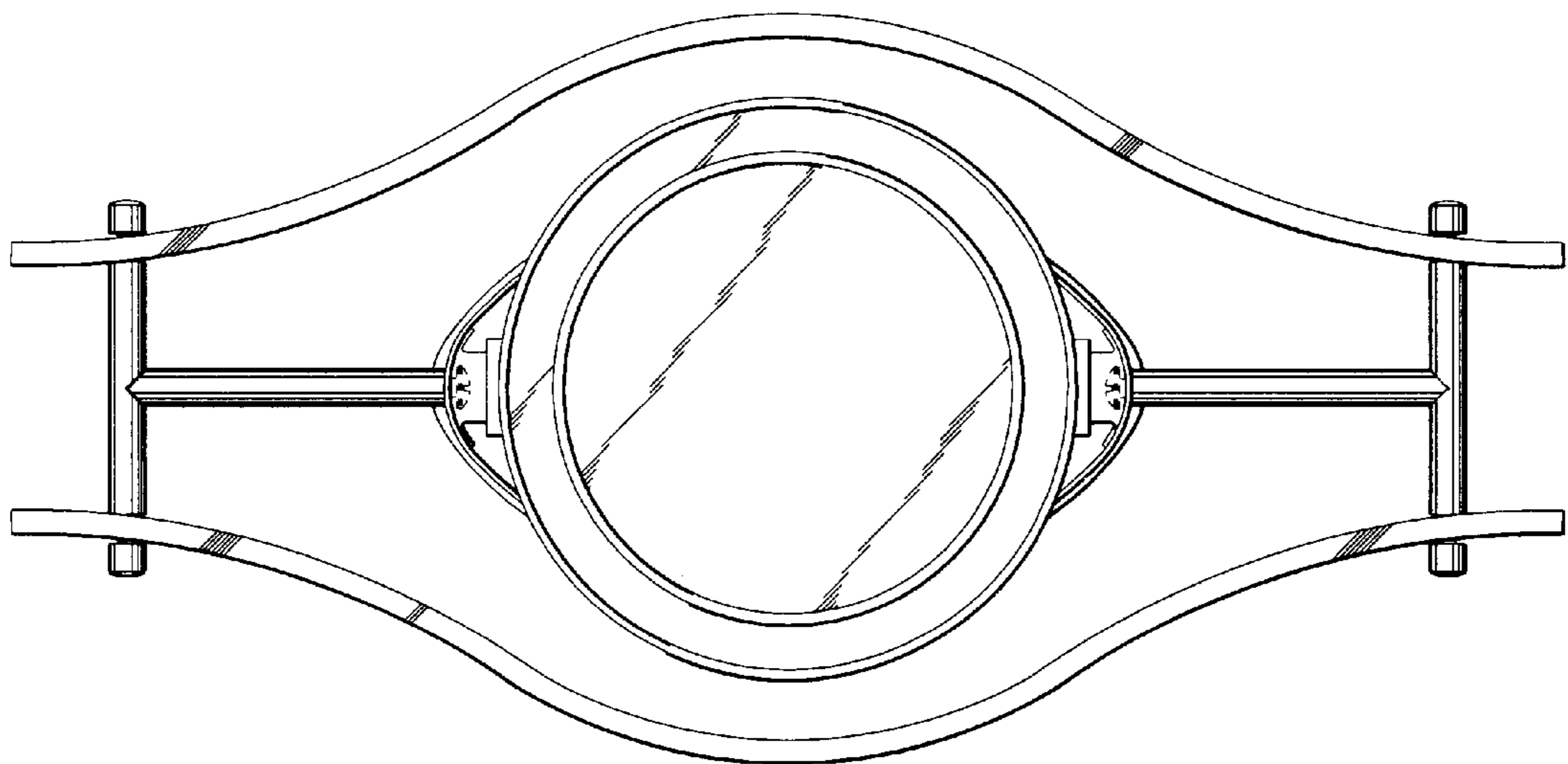


Fig. 5

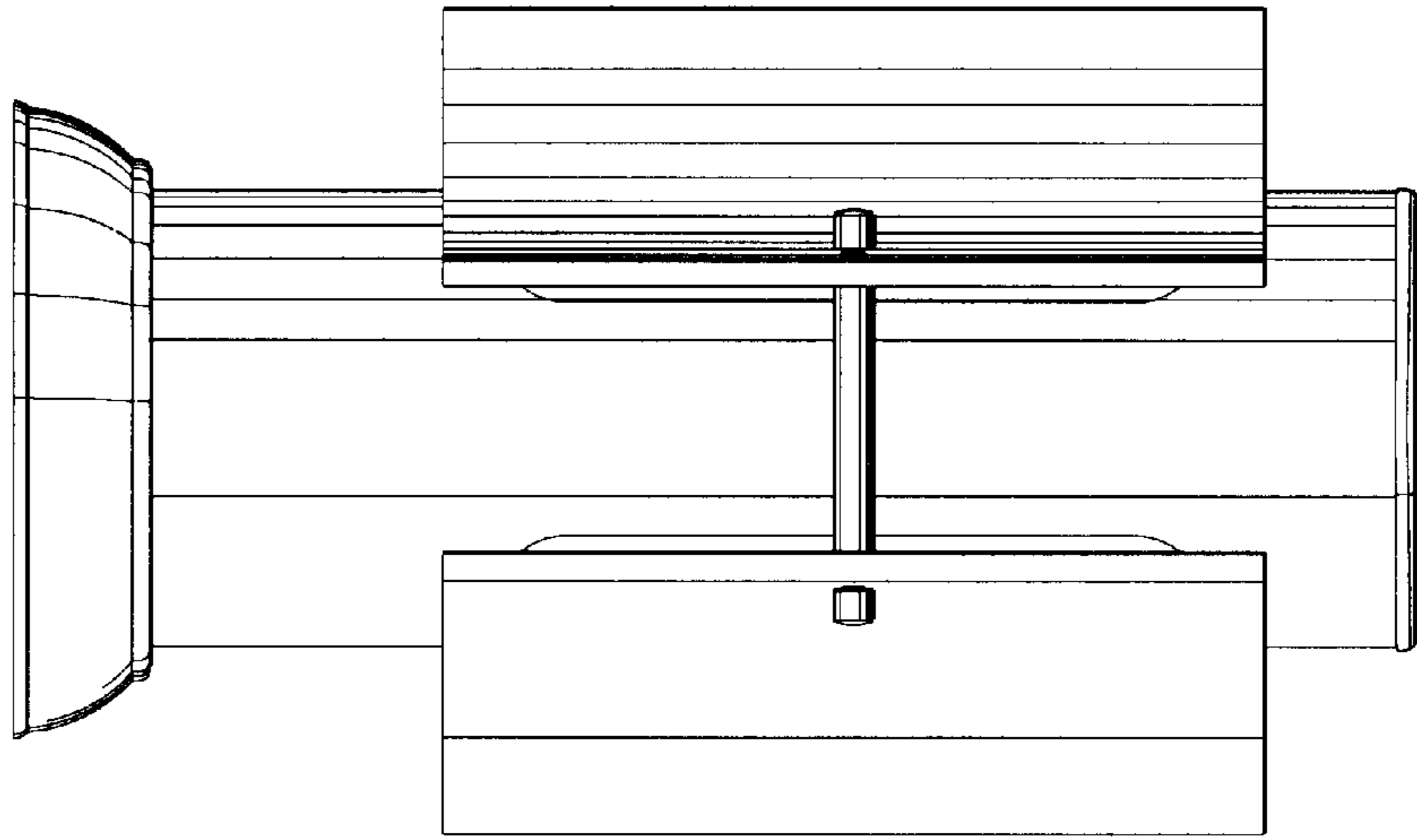


Fig. 4

