



US00D487810S

(12) **United States Design Patent**  
**Kingston et al.**

(10) **Patent No.:** **US D487,810 S**

(45) **Date of Patent:** **\*\* Mar. 23, 2004**

(54) **LIGHTING DEVICE**

(75) Inventors: **Ronald J. Kingston**, Syracuse, NY (US); **Scott W. Osiecki**, Skaneateles, NY (US)

(73) Assignee: **Eveready Battery Company, Inc.**, St. Louis, MO (US)

(\*\*) Term: **14 Years**

(21) Appl. No.: **29/178,382**

(22) Filed: **Mar. 25, 2003**

(51) **LOC (7) Cl.** ..... **26-02**

(52) **U.S. Cl.** ..... **D26/44**

(58) **Field of Search** ..... D26/37-50; 362/157, 362/158, 171, 172, 173, 183-208

(56) **References Cited**

**U.S. PATENT DOCUMENTS**

D402,070 S	*	12/1998	Poon	.....	D26/44
D413,994 S	*	9/1999	Clowers	.....	D26/44
D467,375 S	*	12/2002	Lynch et al.	.....	D26/44

\* cited by examiner

*Primary Examiner*—Marcus A. Jackson

(74) *Attorney, Agent, or Firm*—Stewart A. Fraser

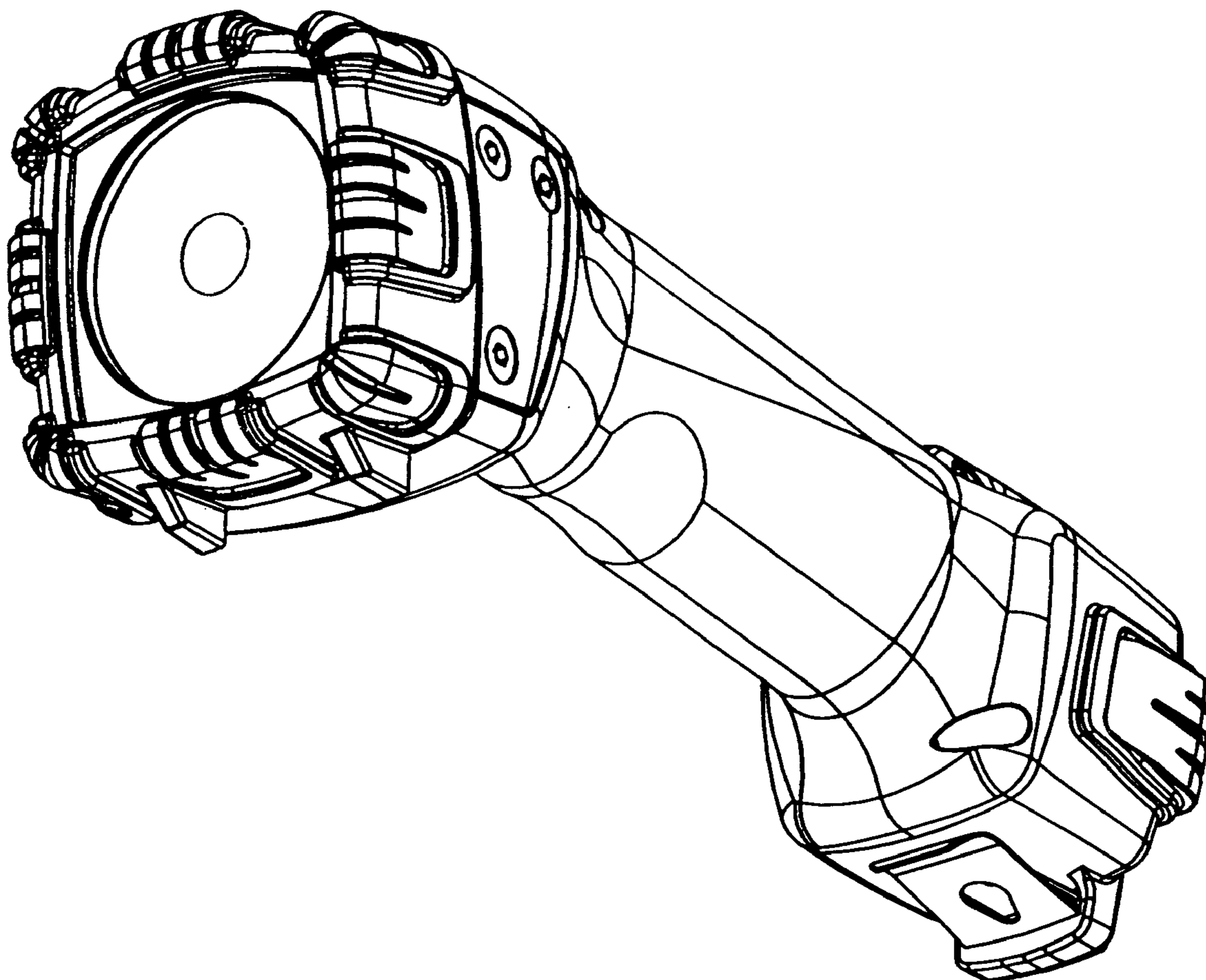
(57) **CLAIM**

We claim the ornamental design for a lighting device, as shown and described.

**DESCRIPTION**

FIG. 1 is a view showing a front and bottom, and a first side of the lighting device of the present invention;  
 FIG. 2 is a view of the top of the lighting device of the present invention;  
 FIG. 3 is a view of the bottom of the lighting device of the present invention;  
 FIG. 4 is a view of the first side of the lighting device of the present invention;  
 FIG. 5 is a view of a second side of the lighting device of the present invention;  
 FIG. 6 is a view of the front end of the lighting device of the present invention; and,  
 FIG. 7 is a view of the back end of the lighting device of the present invention.

**1 Claim, 7 Drawing Sheets**



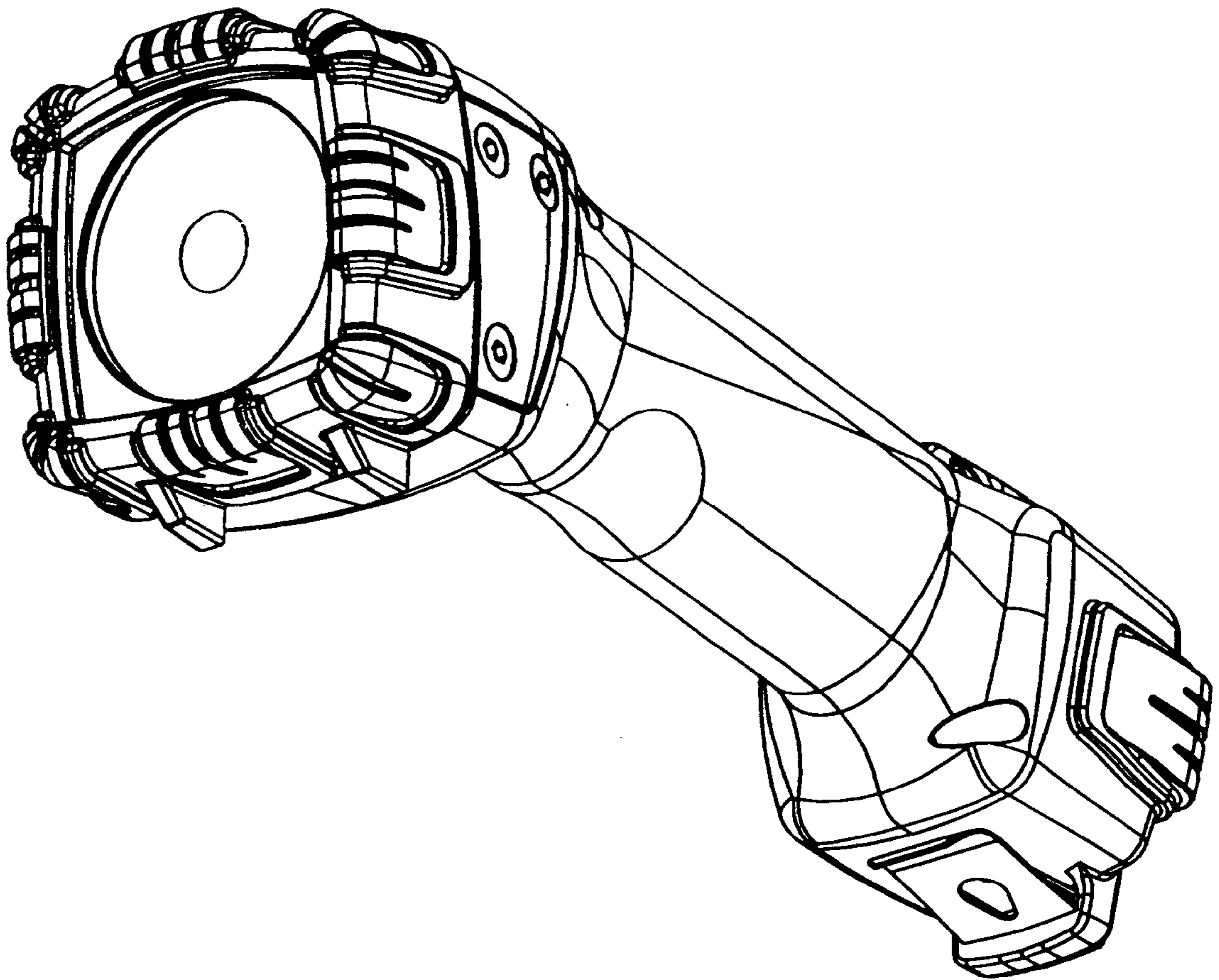


FIG. 1

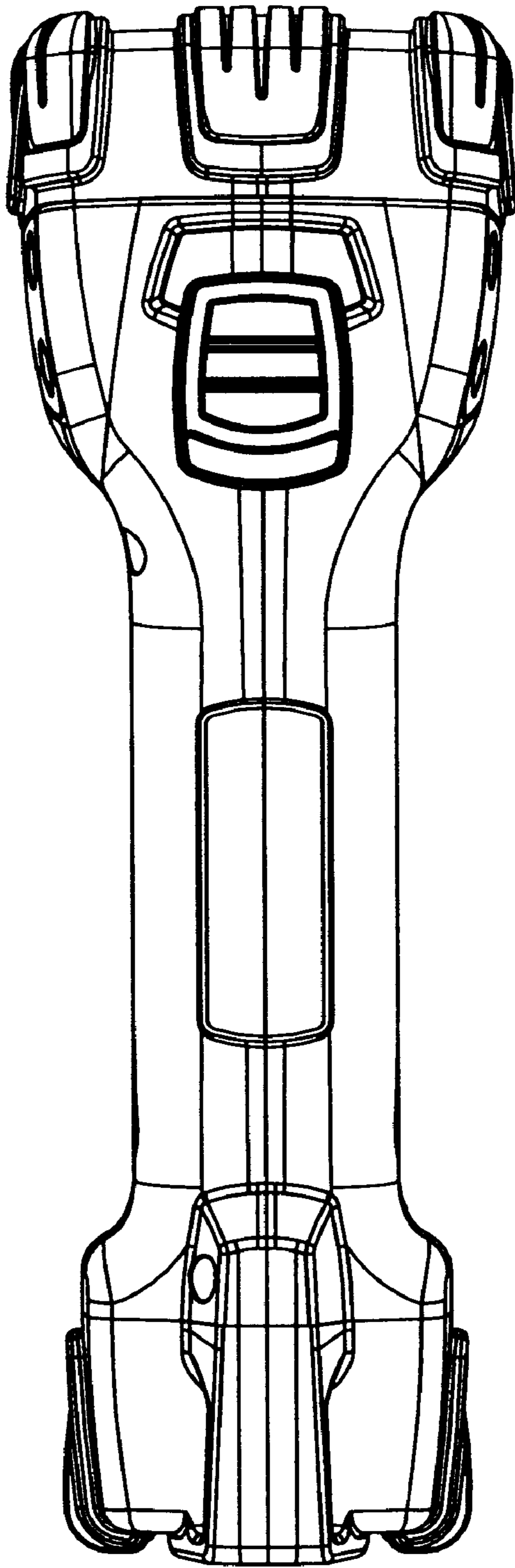


FIG. 2

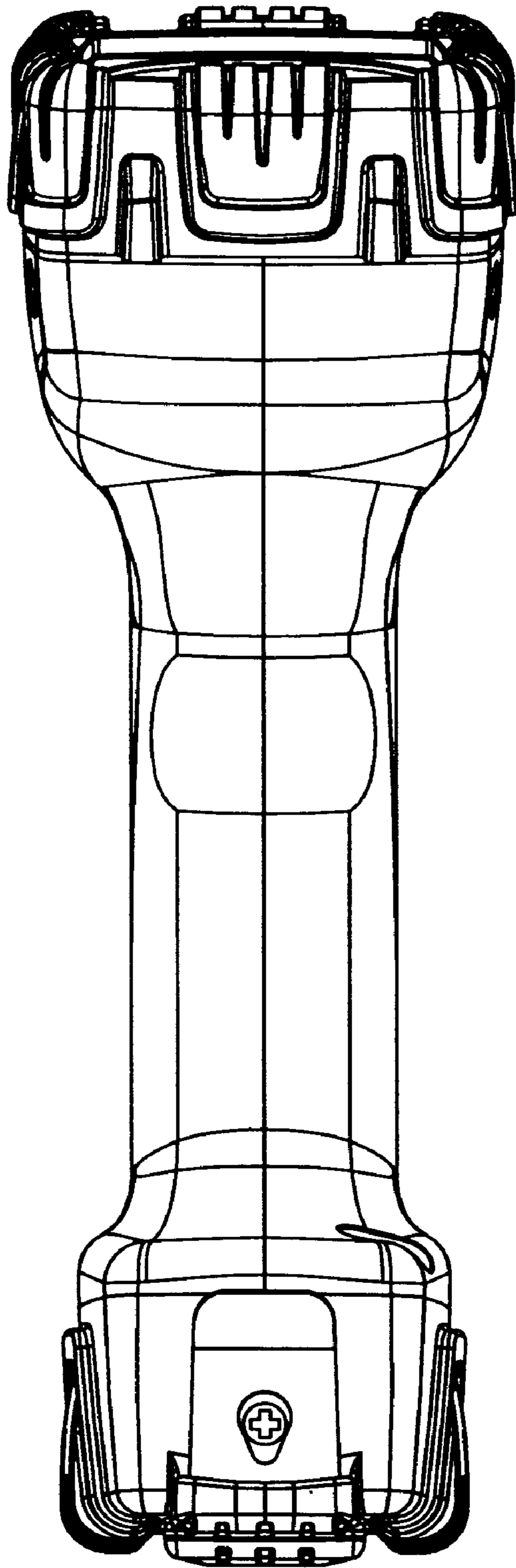


FIG. 3

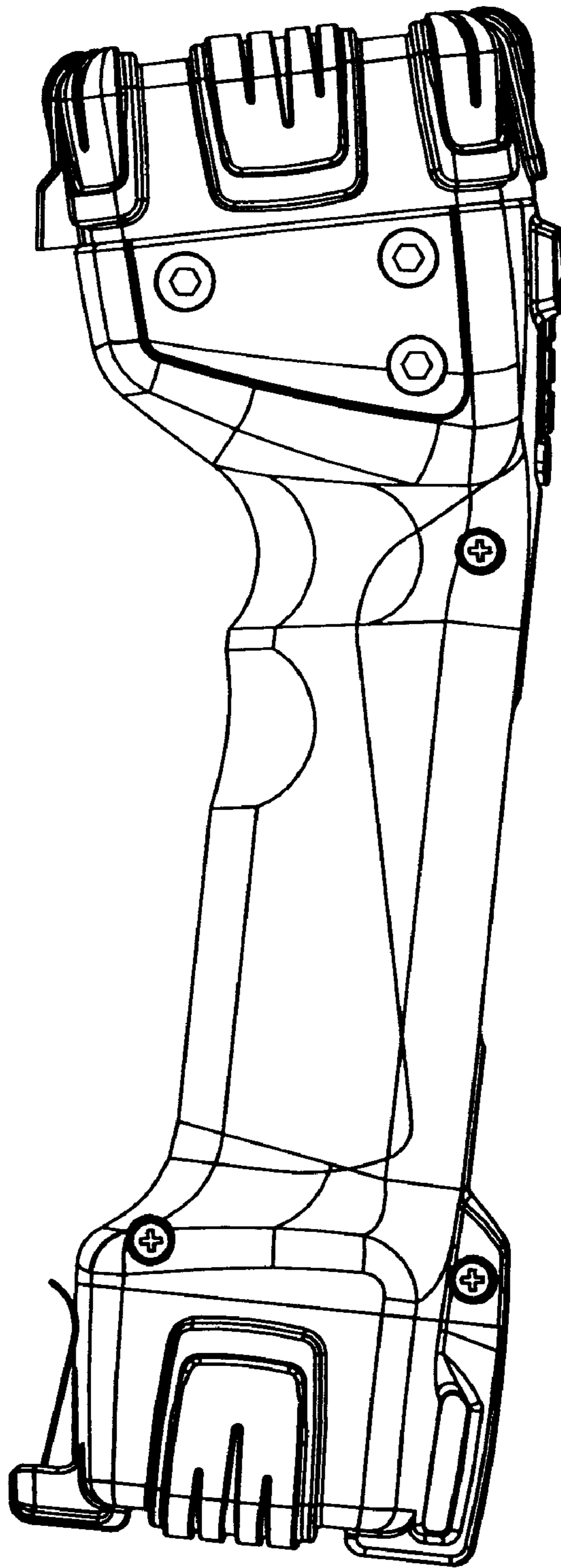


FIG. 4

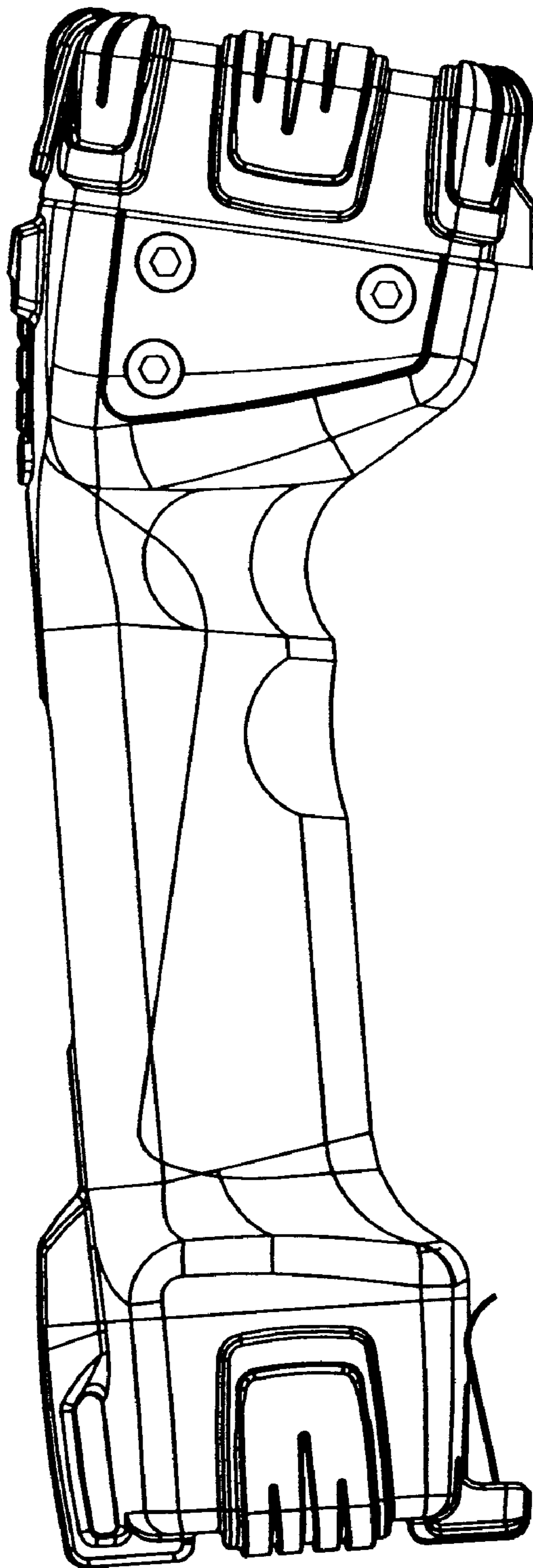


FIG. 5

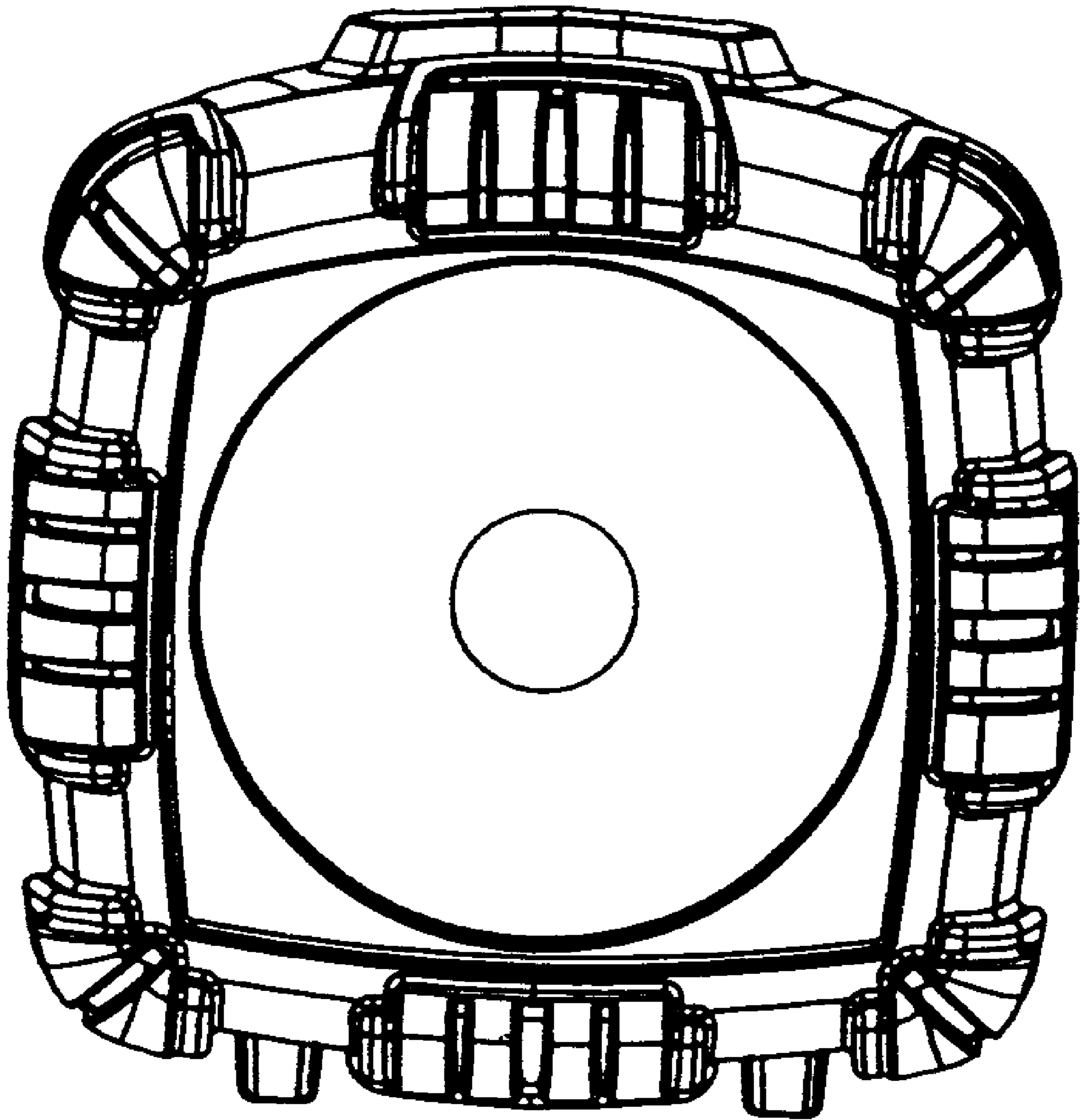


FIG. 6

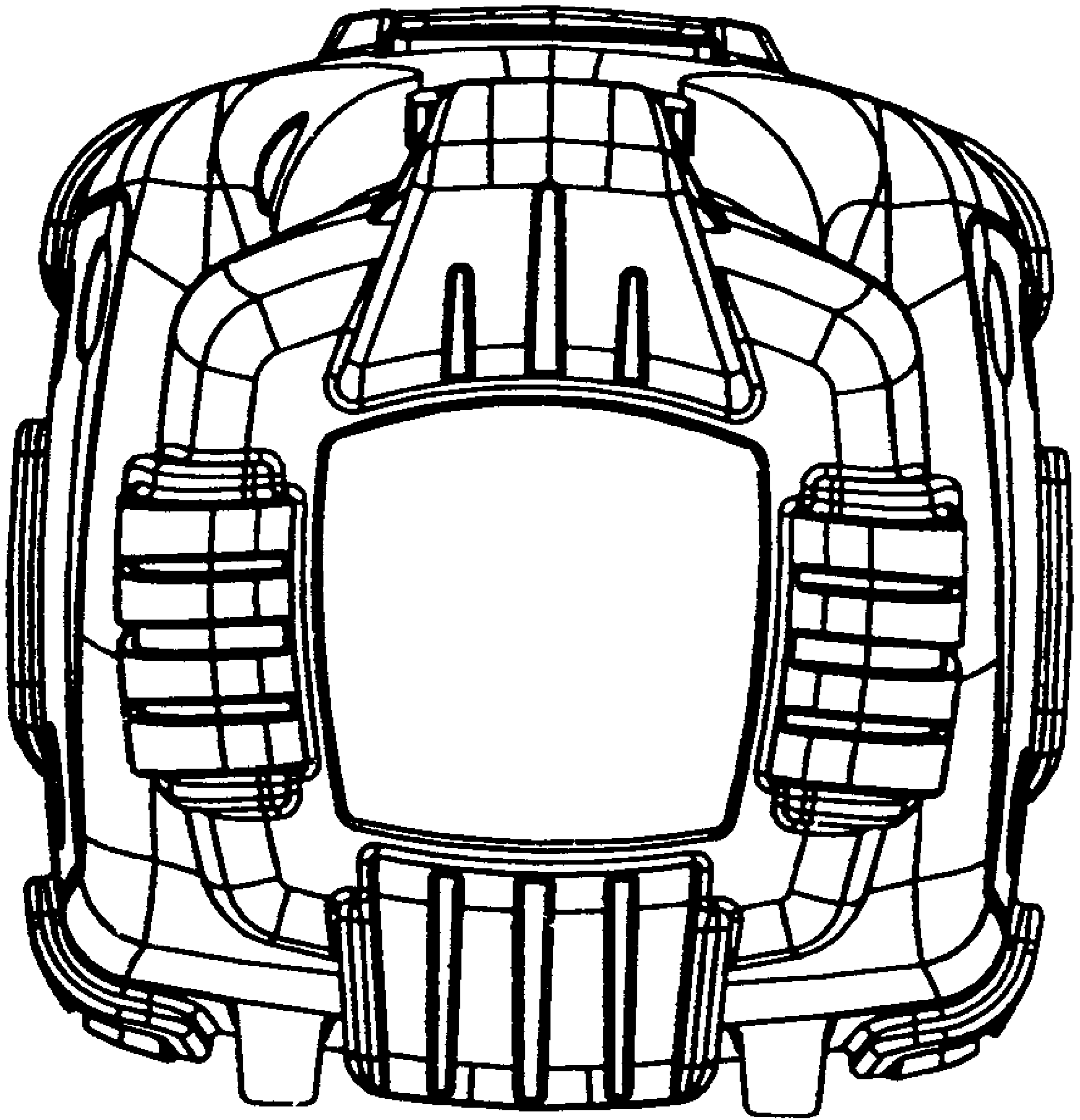


FIG. 7