



US00D487805S

(12) **United States Design Patent**
Kondo

(10) **Patent No.:** **US D487,805 S**

(45) **Date of Patent:** **** Mar. 23, 2004**

(54) **X-RAY IMAGE CAMERA FOR MEDICAL USE**

2,943,198 A * 6/1960 Godbarsen, Jr. 378/172

D273,892 S * 5/1984 Fenne et al. D24/158

D365,879 S 1/1996 Hirabayashi et al.

5,586,162 A * 12/1996 Grichnik 378/198

(75) Inventor: **Shozo Kondo**, Tokyo (JP)

* cited by examiner

(73) Assignee: **Fuji Photo Film Co., Ltd.**, Kanagawa (JP)

Primary Examiner—Stella Reid

(**) Term: **14 Years**

(74) *Attorney, Agent, or Firm*—Young & Thompson

(21) Appl. No.: **29/181,658**

(57) **CLAIM**

(22) Filed: **May 15, 2003**

The ornamental design for an X-ray image camera for medical use, as shown.

(30) **Foreign Application Priority Data**

DESCRIPTION

Nov. 18, 2002 (JP) 2002-031739

(51) **LOC (7) Cl.** **24-01**

(52) **U.S. Cl.** **D24/158**

(58) **Field of Search** D24/158, 160;
378/37, 97, 145, 167, 172, 178, 180, 190,
193

FIG. 1 is a top, front and side perspective view of an X-ray image camera for medical use, showing my new design; FIG. 2 is a front elevational view thereof; FIG. 3 is a rear elevational view thereof; FIG. 4 is a top plan view thereof; FIG. 5 is a bottom plan view thereof; FIG. 6 is a side elevational view thereof from the right of FIG. 2; and, FIG. 7 is a side elevational view thereof from the left of FIG. 2.

(56) **References Cited**

U.S. PATENT DOCUMENTS

2,926,256 A * 2/1960 Rankin 378/174

1 Claim, 4 Drawing Sheets

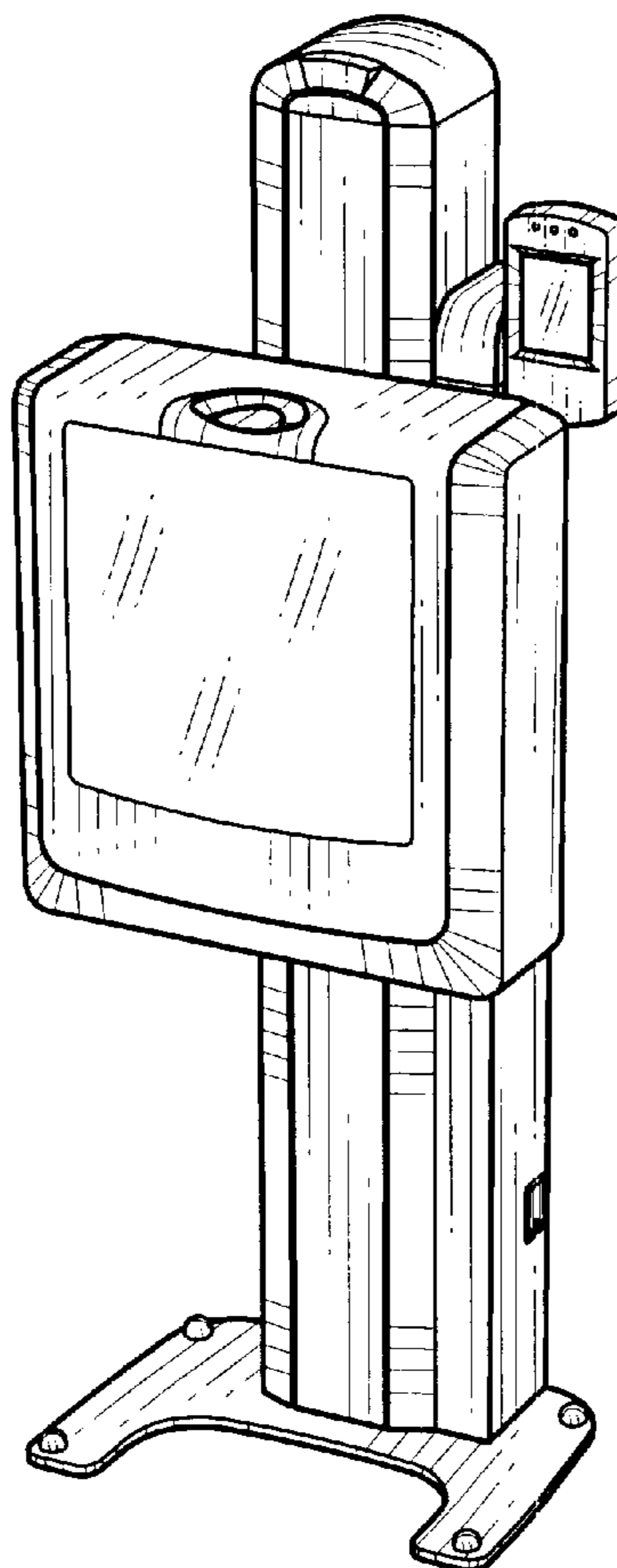


FIG.1

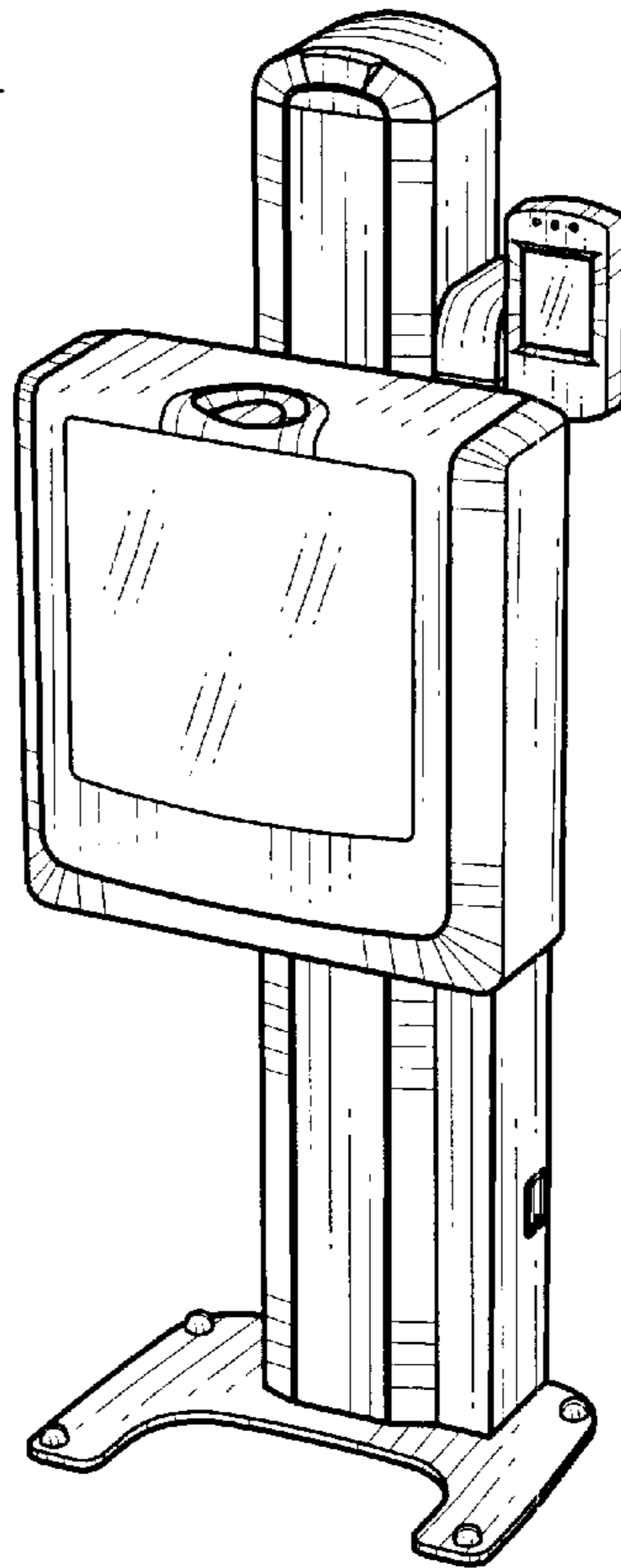


FIG.2

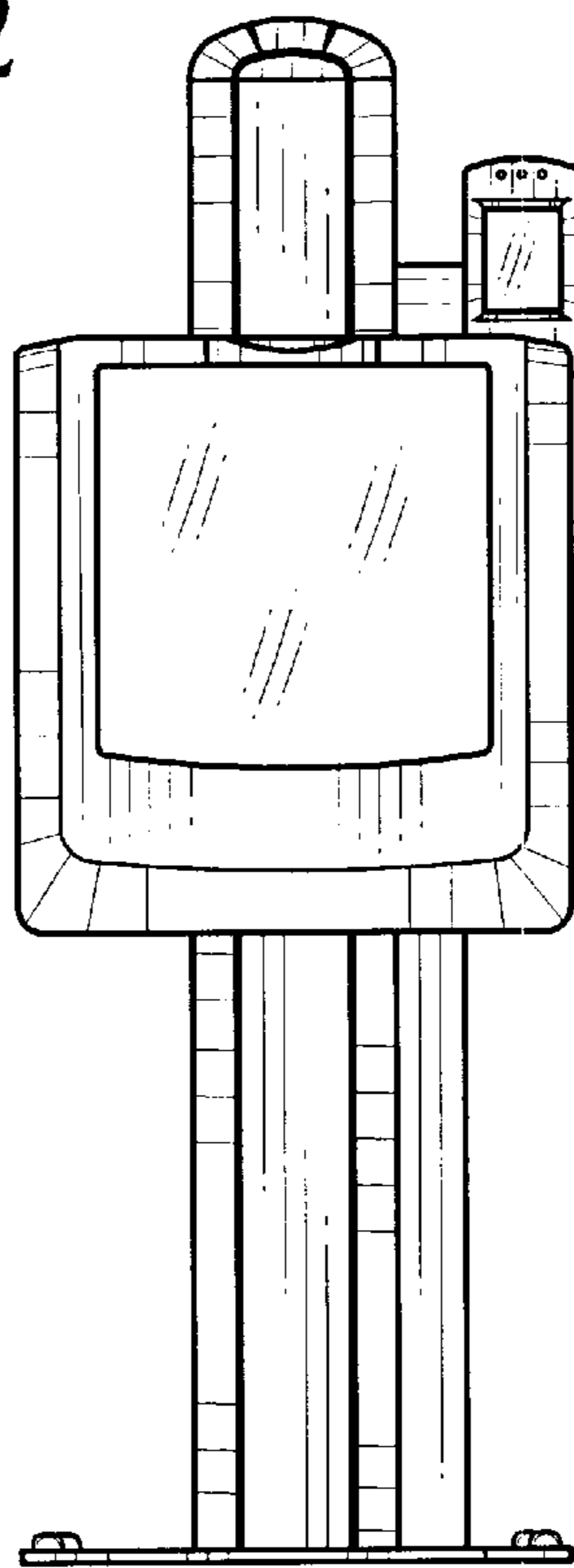


FIG.3

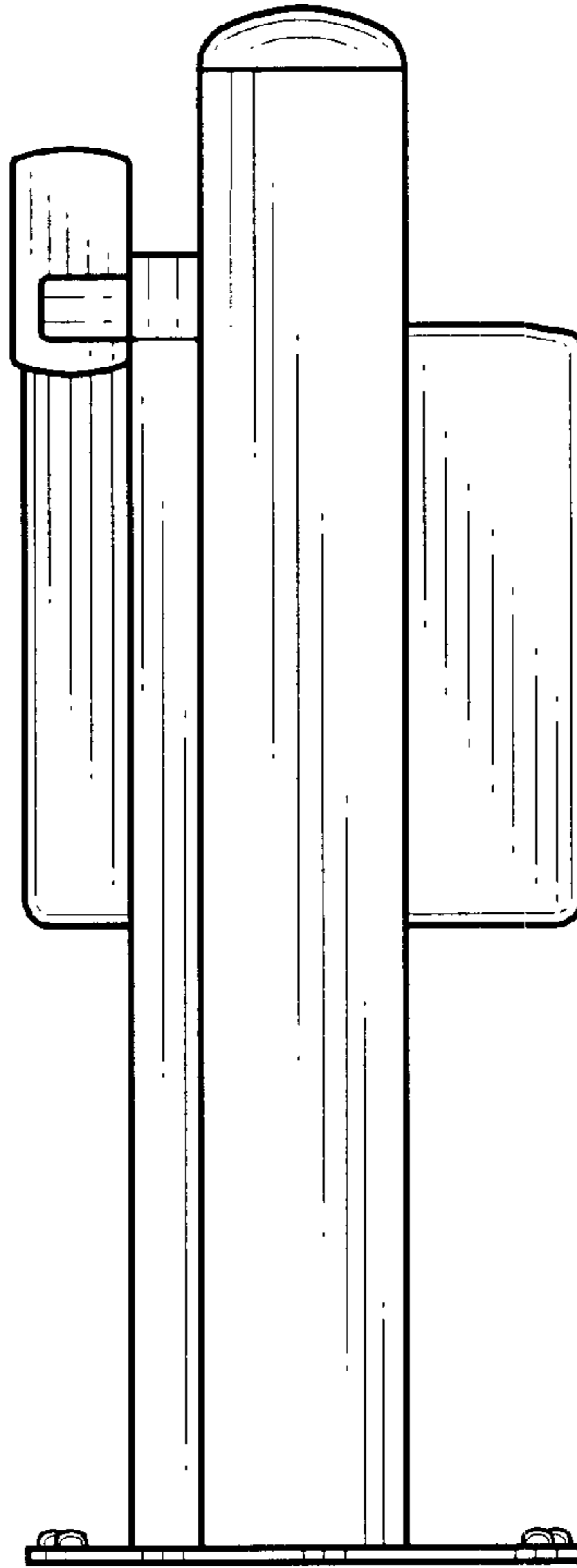


FIG.4

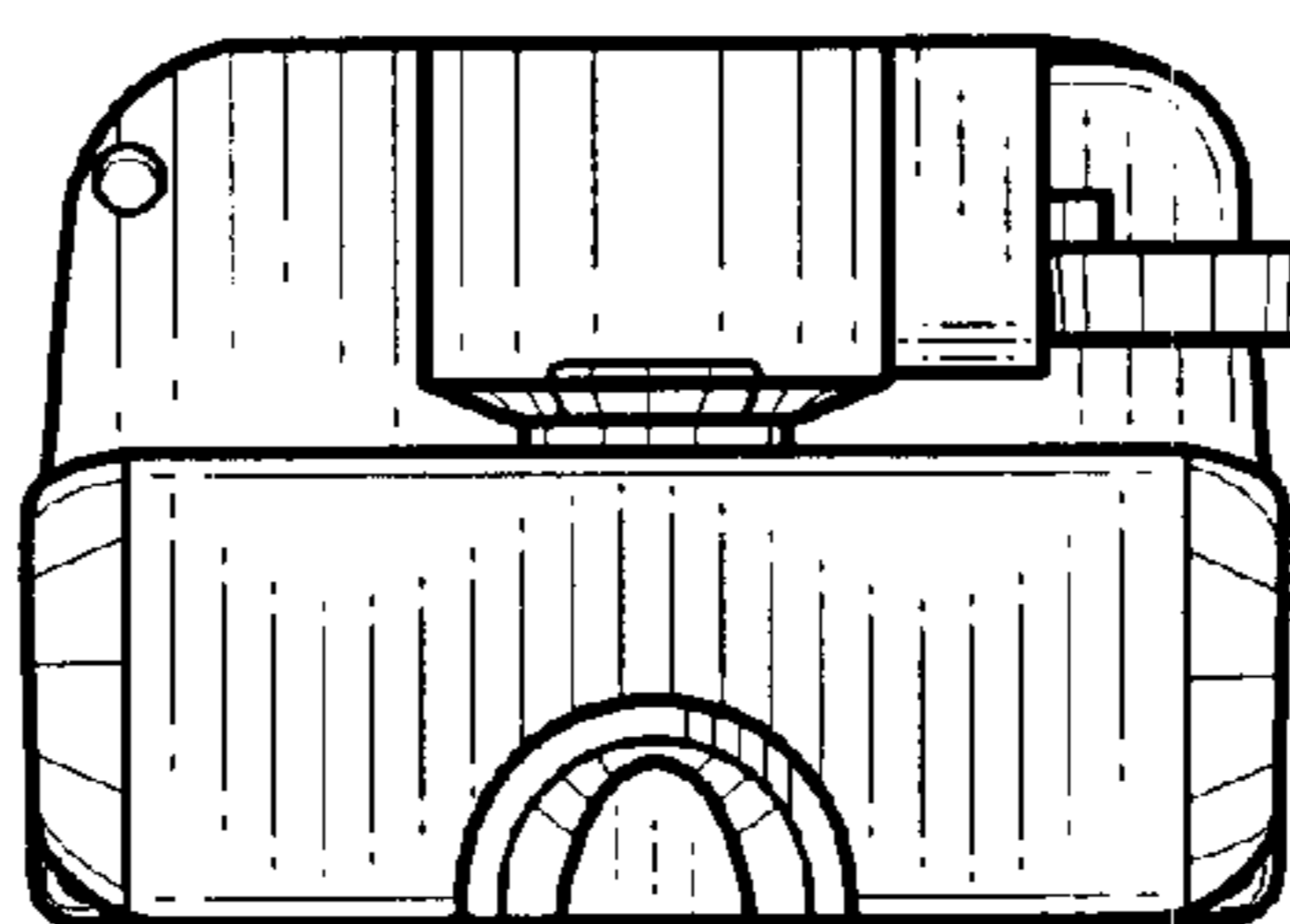


FIG.5

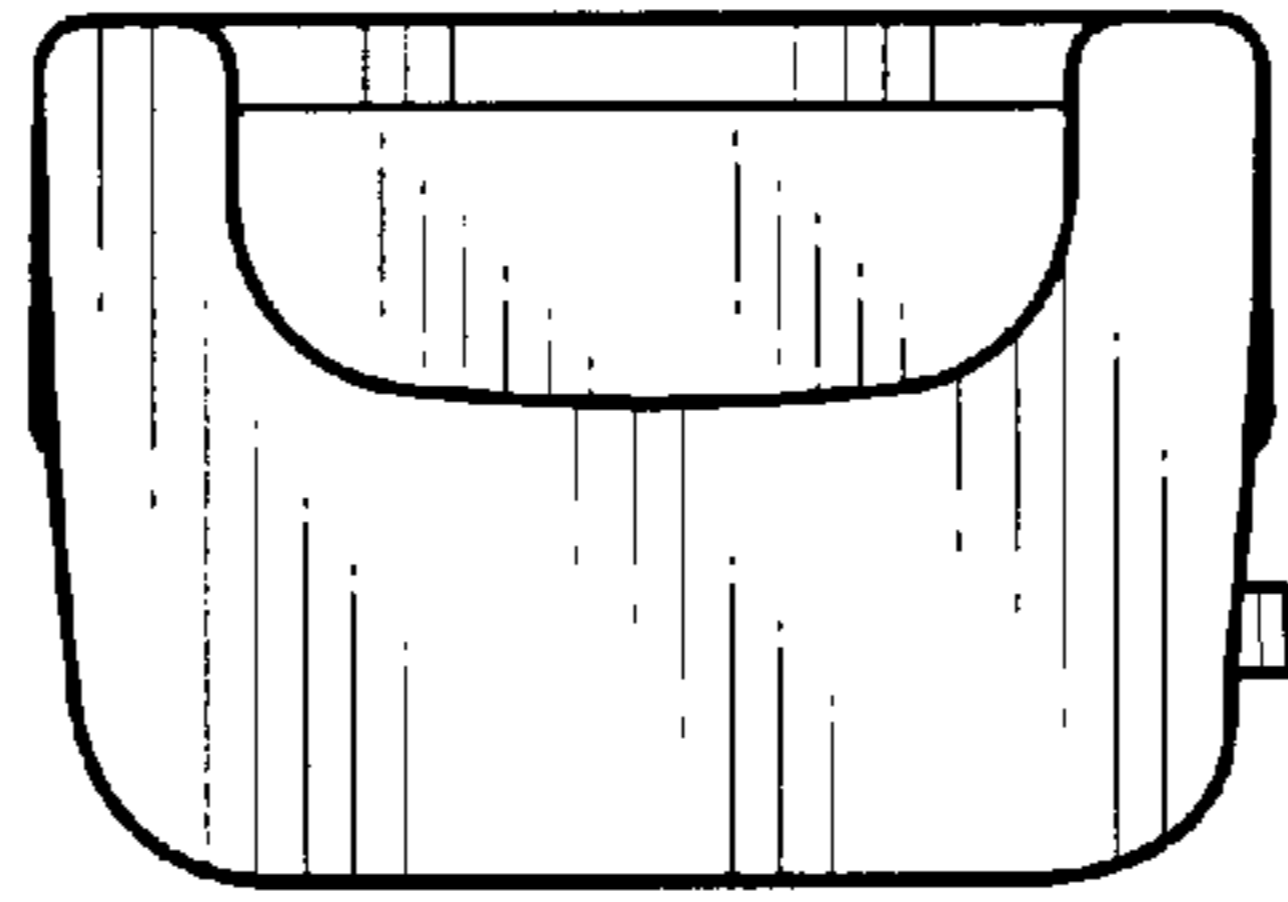


FIG.6

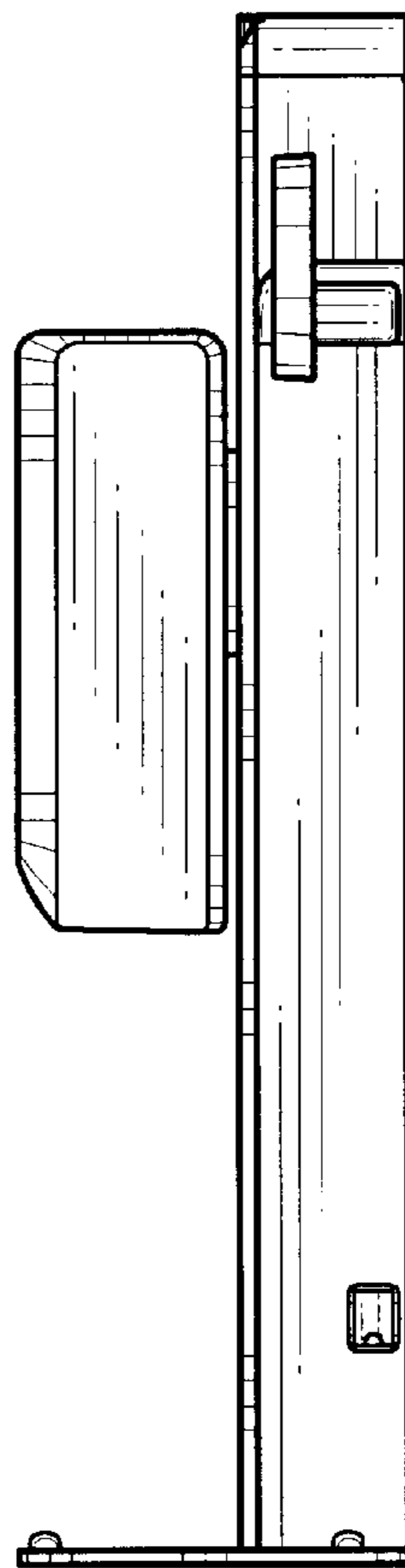


FIG. 7

