



US00D487801S

(12) **United States Design Patent**
Hsieh

(10) **Patent No.:** **US D487,801 S**

(45) **Date of Patent:** **** Mar. 23, 2004**

(54) **CEILING FAN**

D450,831 S * 11/2001 Hsieh D23/377

(76) Inventor: **Frank Hsieh**, 235 Chung-Ho Box 8-24,
Taipei (TW)

* cited by examiner

Primary Examiner—Lisa Lichtenstein

(**) Term: **14 Years**

(57) **CLAIM**

(21) Appl. No.: **29/181,547**

The ornamental design for a ceiling fan, as shown and described.

(22) Filed: **May 14, 2003**

(51) **LOC (7) Cl.** **23-04**

(52) **U.S. Cl.** **D23/377**

(58) **Field of Search** D23/377, 379,
D23/385, 411; 416/5; 392/364; D26/59,
72, 81-88

DESCRIPTION

FIG. 1 is a perspective view of a ceiling fanshowing my new design;

FIG. 2 is a front elevational view thereof;

FIG. 3 is a rear elevational view thereof;

FIG. 4 is a left side view thereof;

FIG. 5 is a right side view thereof;

FIG. 6 is a top plan view thereof; and,

FIG. 7 is a bottom plan view thereof.

(56) **References Cited**

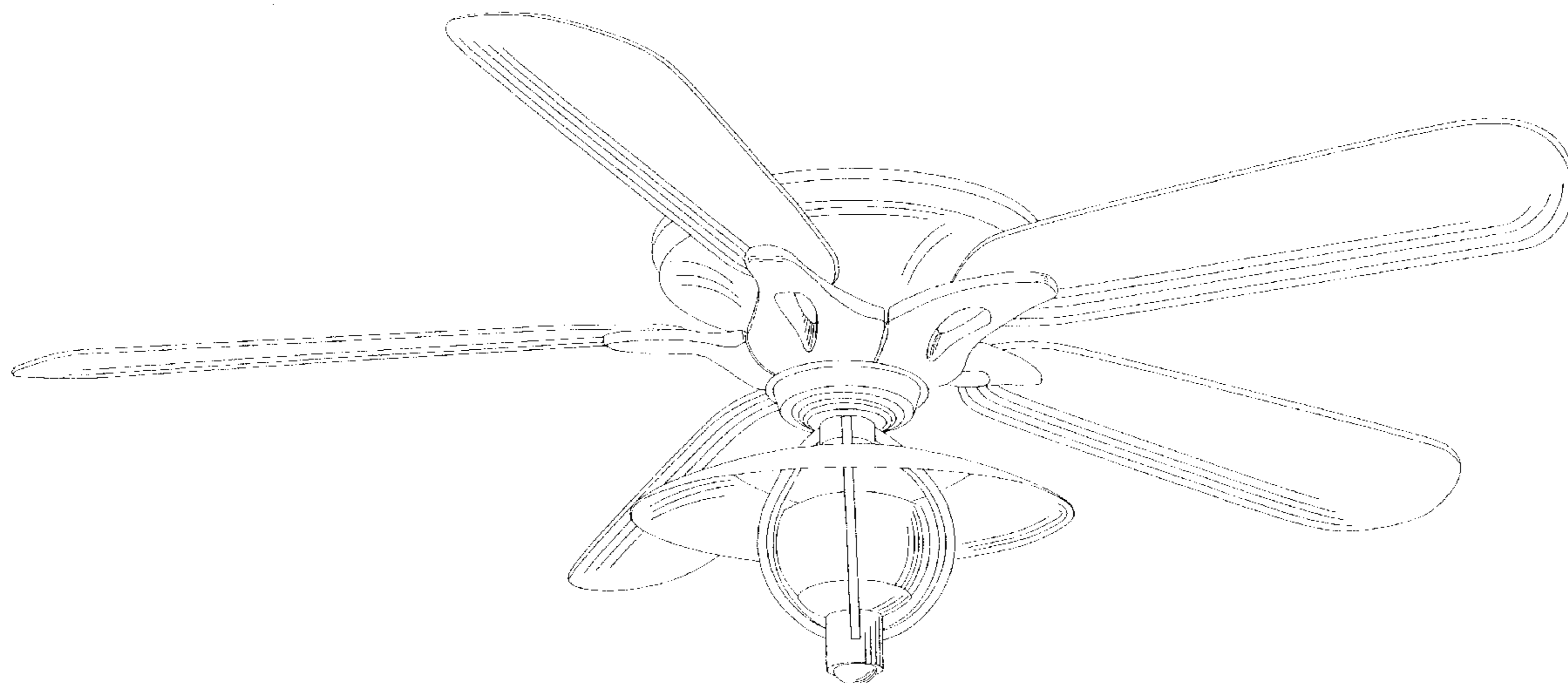
U.S. PATENT DOCUMENTS

D420,120 S * 2/2000 Evans D23/377

D428,982 S * 8/2000 Oldenburg D23/377

D441,442 S * 5/2001 Williams D23/377

1 Claim, 7 Drawing Sheets



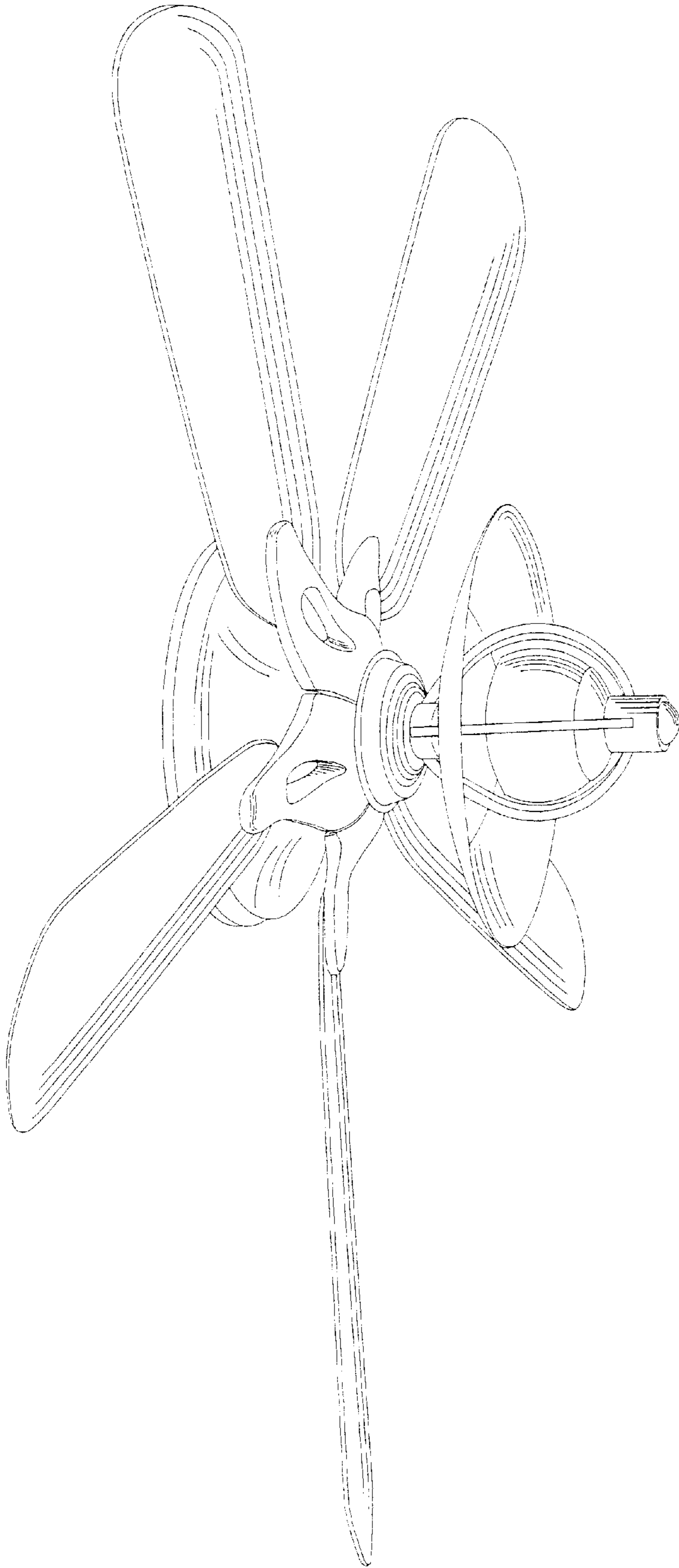


FIG.1

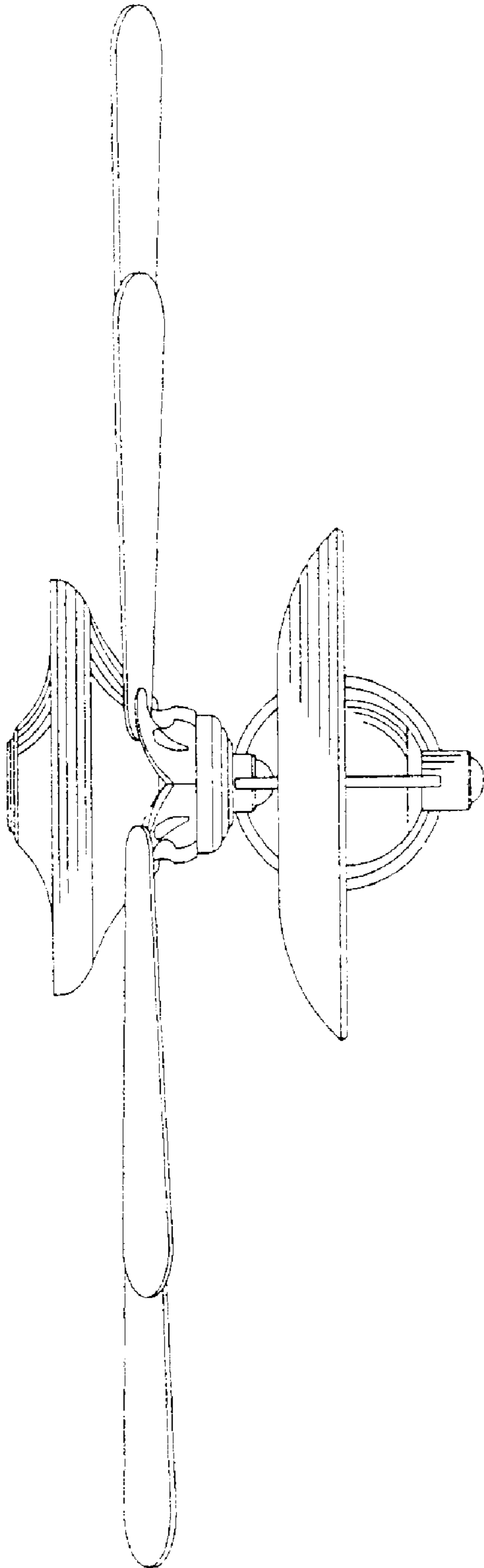


FIG. 2

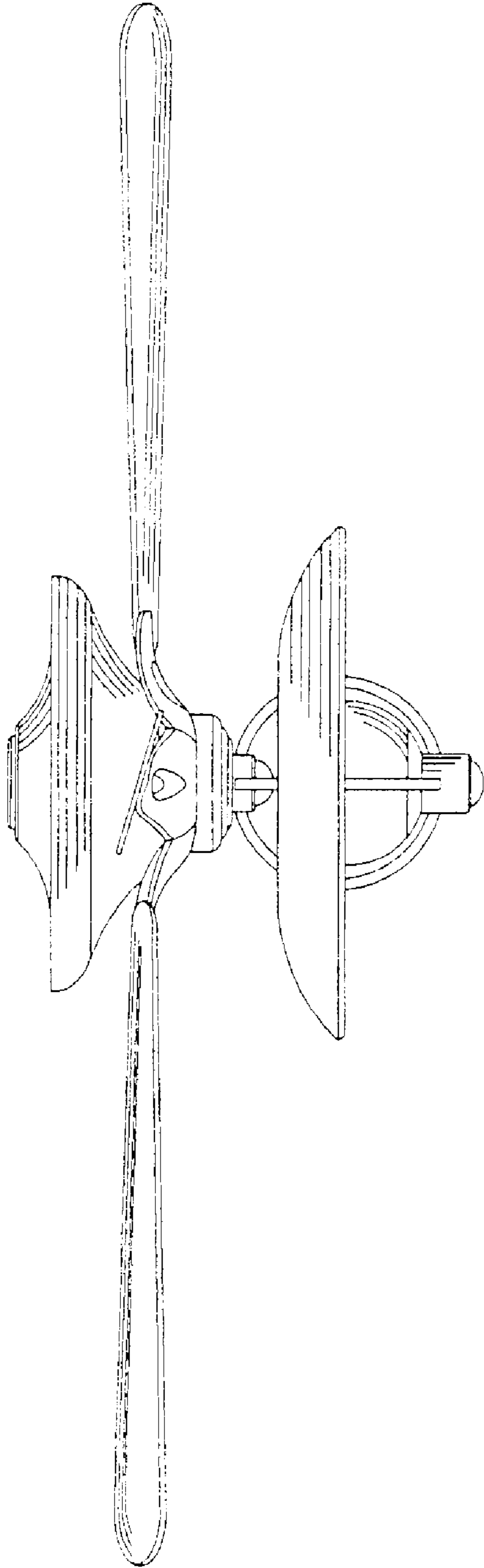


FIG. 3

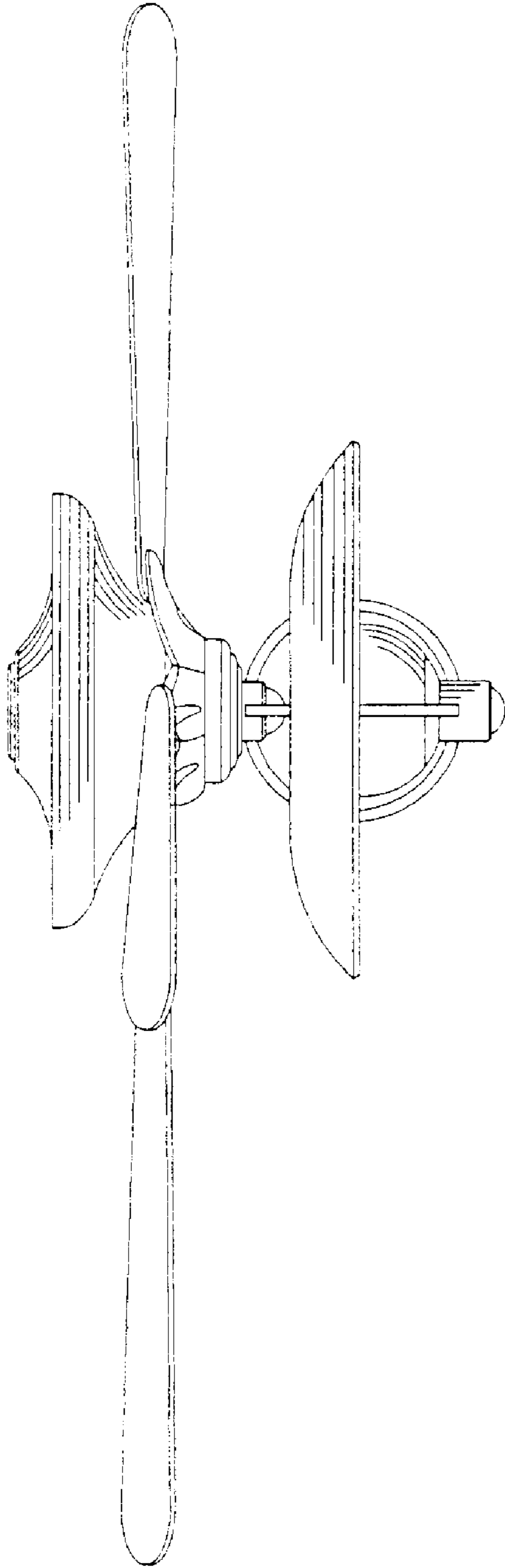


FIG. 4

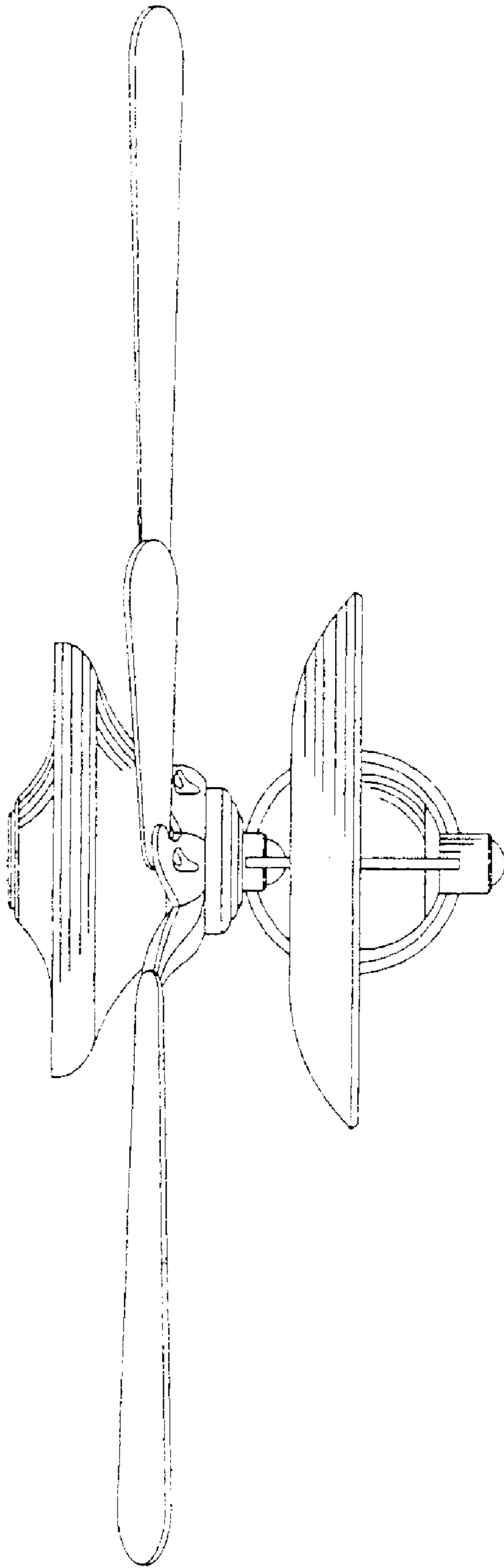


FIG. 5

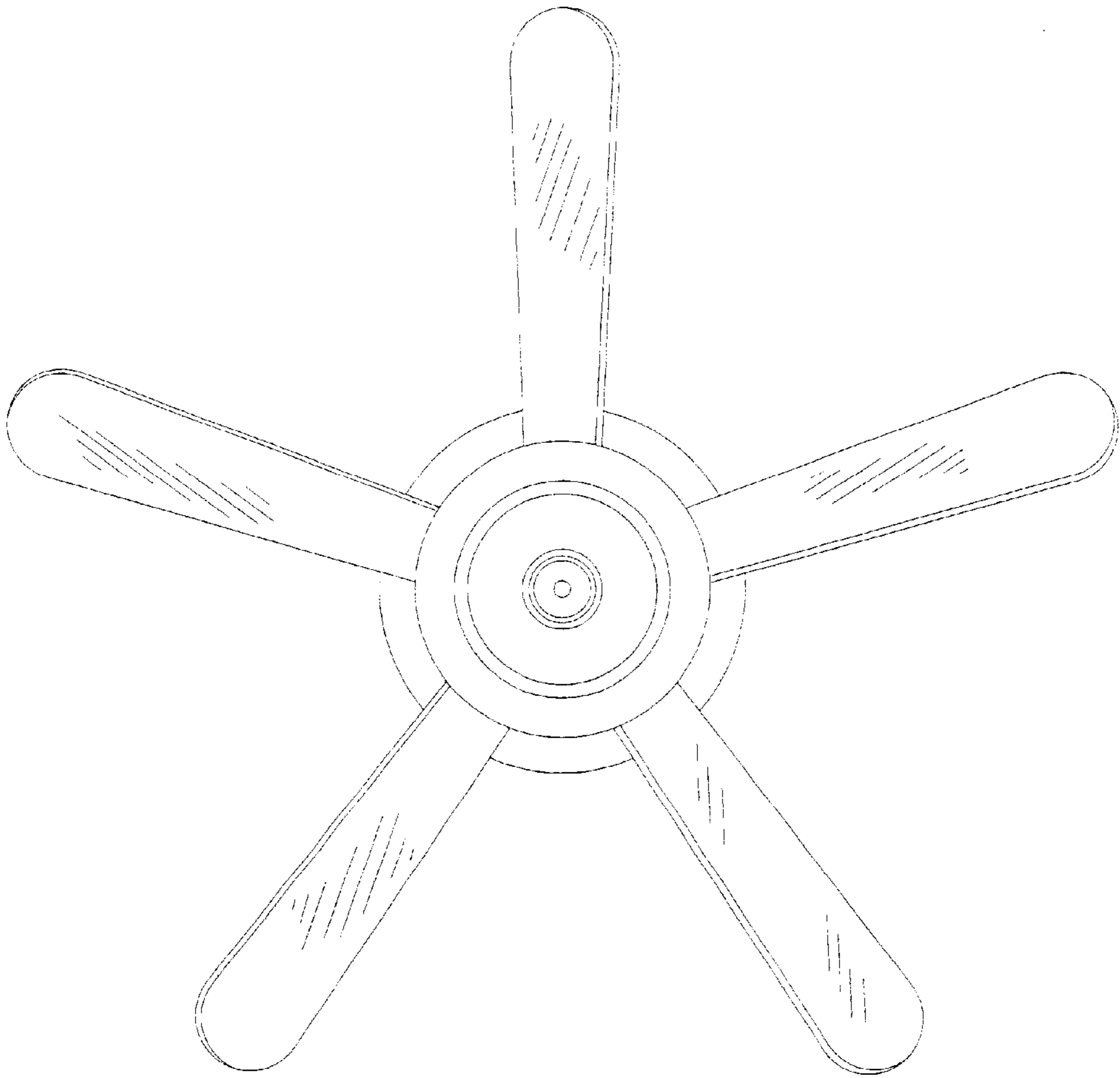


FIG. 6

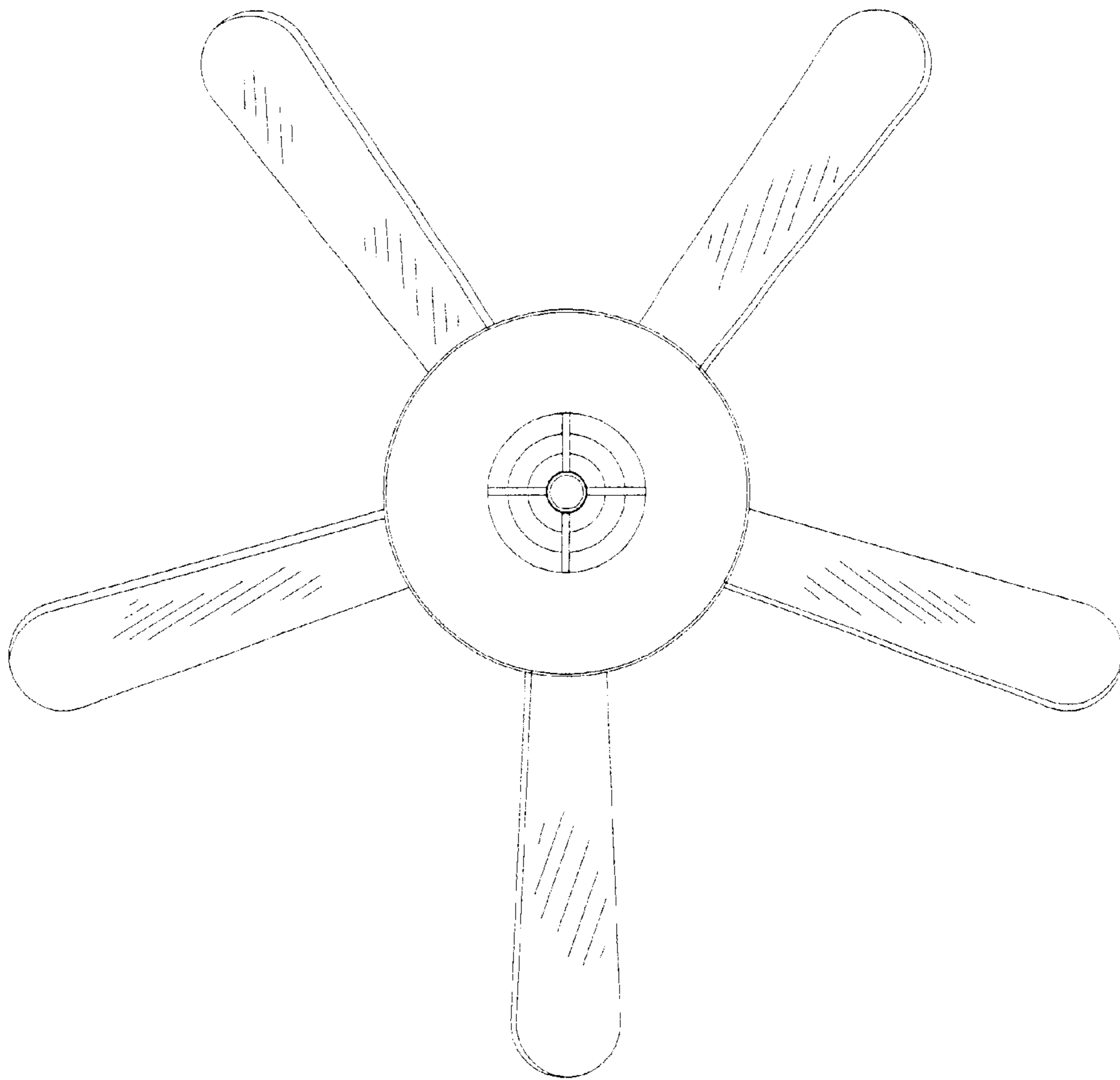


FIG. 7