



US00D487800S

(12) **United States Design Patent**
Chen et al.

(10) **Patent No.:** **US D487,800 S**

(45) **Date of Patent:** **** Mar. 23, 2004**

(54) **FAN**

6,525,939 B2 * 2/2003 Liang et al. 361/697

(75) **Inventors:** **Te-Fu Chen**, Yunlin (TW); **Ju-Wen Hsieh**, Changhua (TW); **Tsung-Yu Lei**, Taipei (TW)

* cited by examiner

Primary Examiner—Lisa Lichtenstein
(74) *Attorney, Agent, or Firm*—Birch, Stewart, Kolasch & Birch, LLP

(73) **Assignee:** **Delta Electronics Inc.** (TW)

(**) **Term:** **14 Years**

(57) **CLAIM**

The ornamental design for a fan, as shown and described herein.

(21) **Appl. No.:** **29/179,853**

(22) **Filed:** **Apr. 16, 2003**

DESCRIPTION

(51) **LOC (7) Cl.** **23-04**

(52) **U.S. Cl.** **D23/370**

(58) **Field of Search** D23/370, 329, D23/411; 415/176, 177, 178, 211.2; 361/697, 695; 165/80.3, 121; D14/114

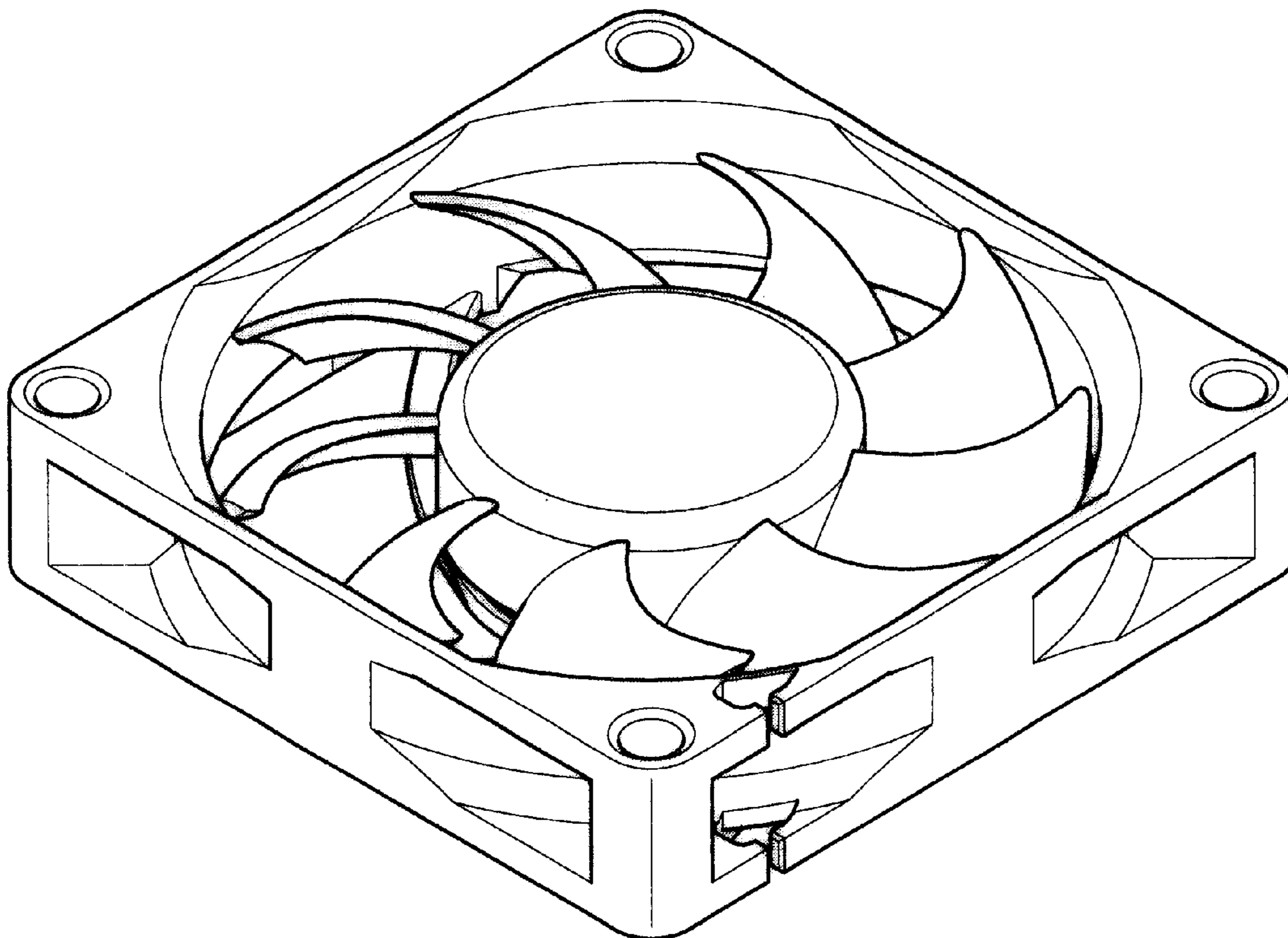
FIG. 1 is a perspective view of a fan showing our new design;
FIG. 2 is a right side view thereof;
FIG. 3 is a top view thereof;
FIG. 4 is a front view thereof;
FIG. 5 is a bottom view thereof;
FIG. 6 is a left side view thereof; and,
FIG. 7 is a rear view thereof.

(56) **References Cited**

U.S. PATENT DOCUMENTS

6,493,225 B2 * 12/2002 Chuang et al. 361/695

1 Claim, 7 Drawing Sheets



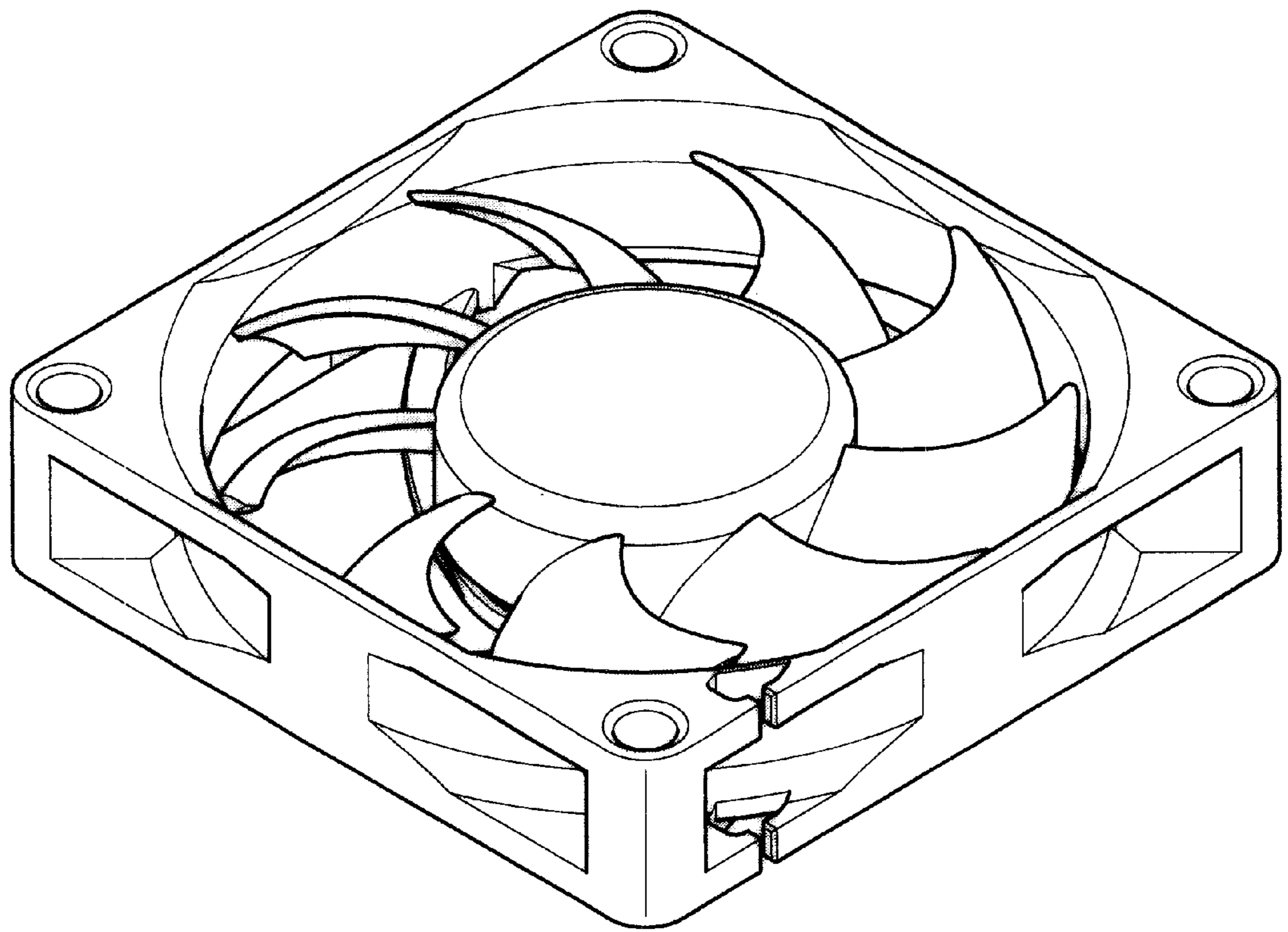


FIG. 1

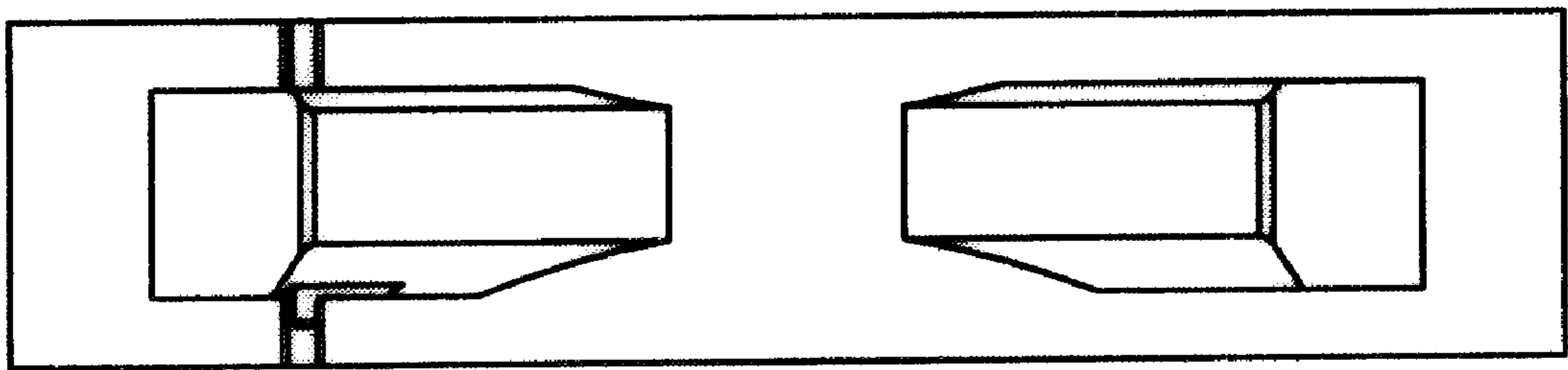


FIG. 2

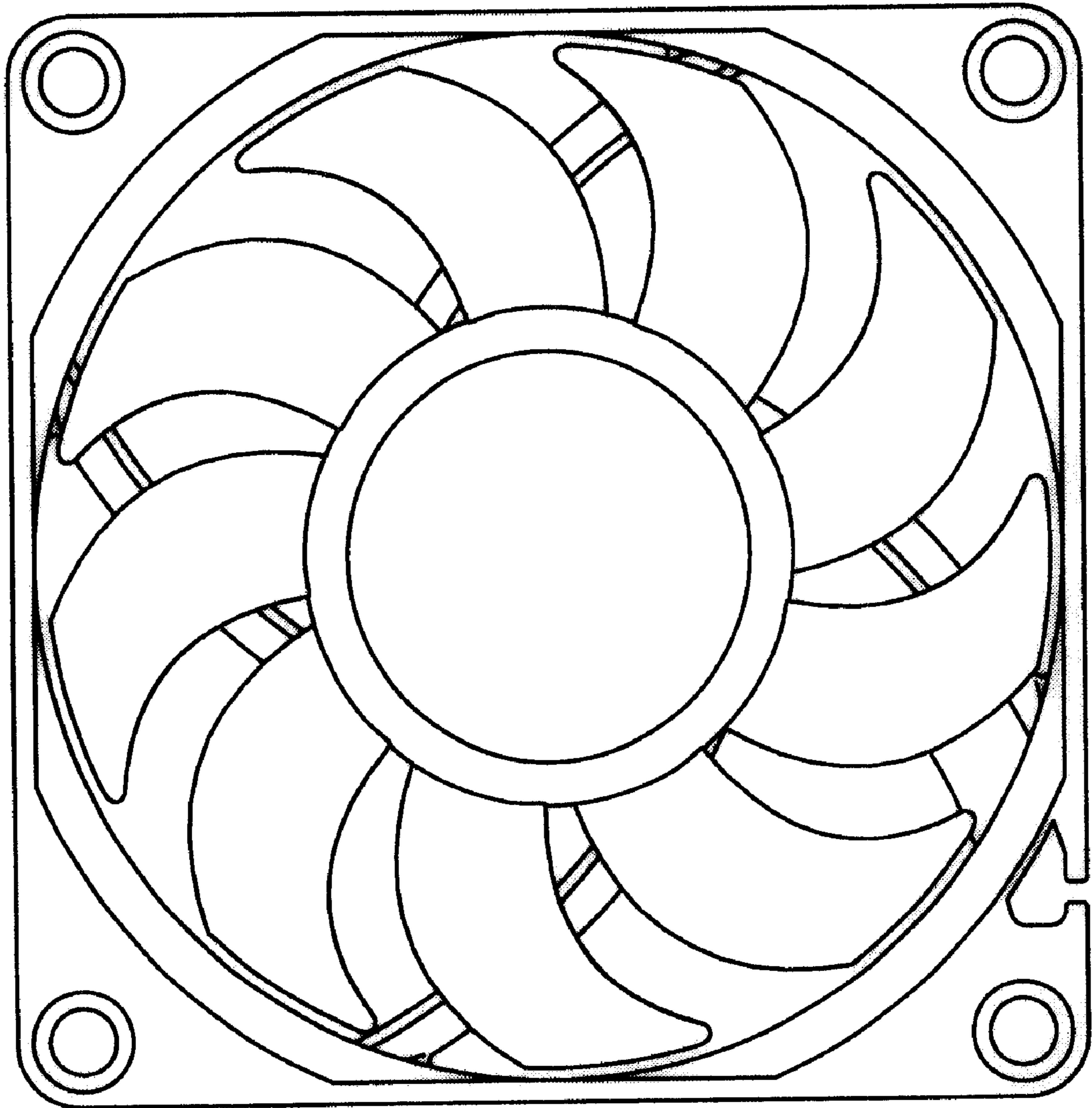


FIG. 3

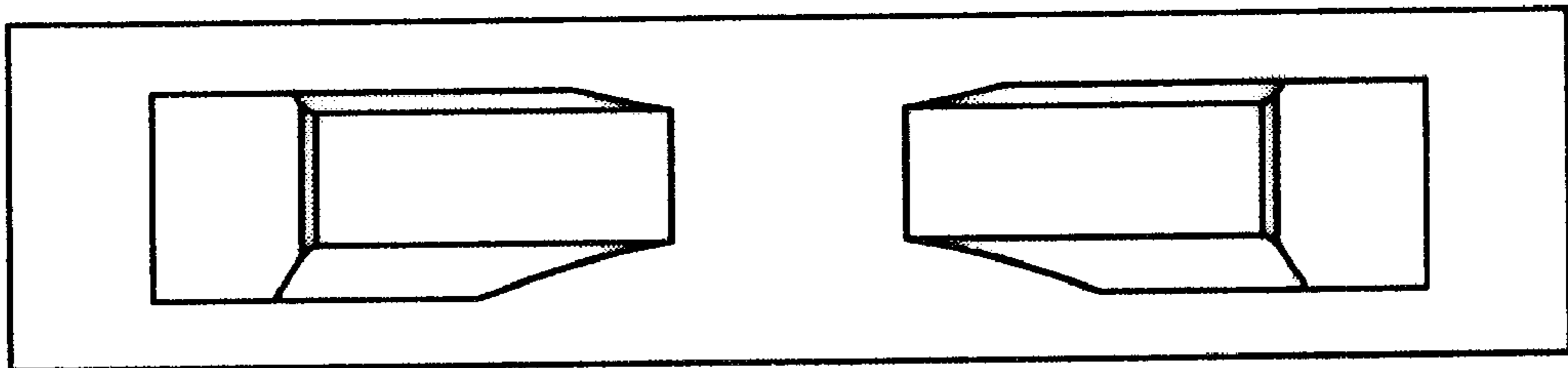


FIG. 4

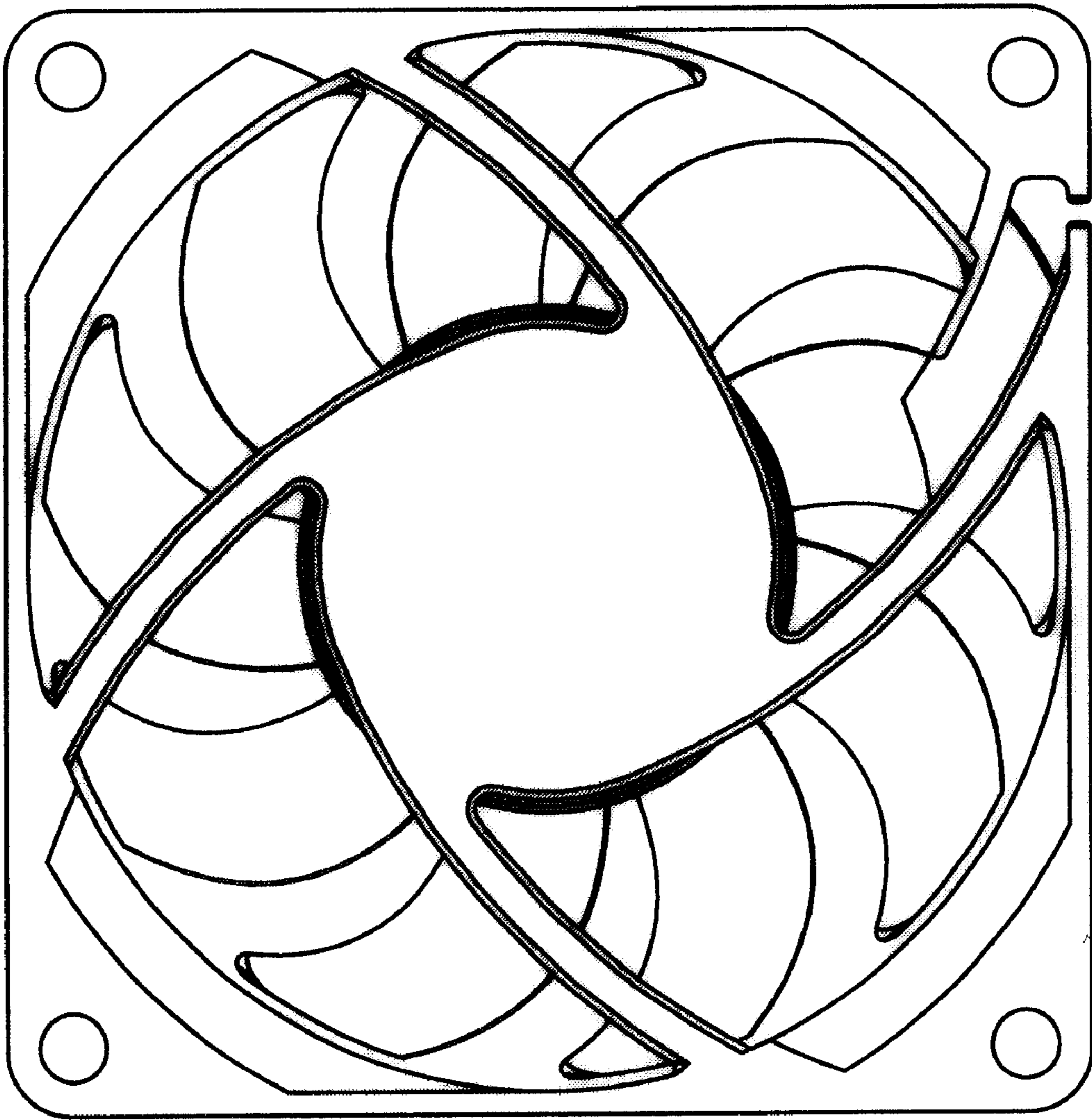


FIG. 5

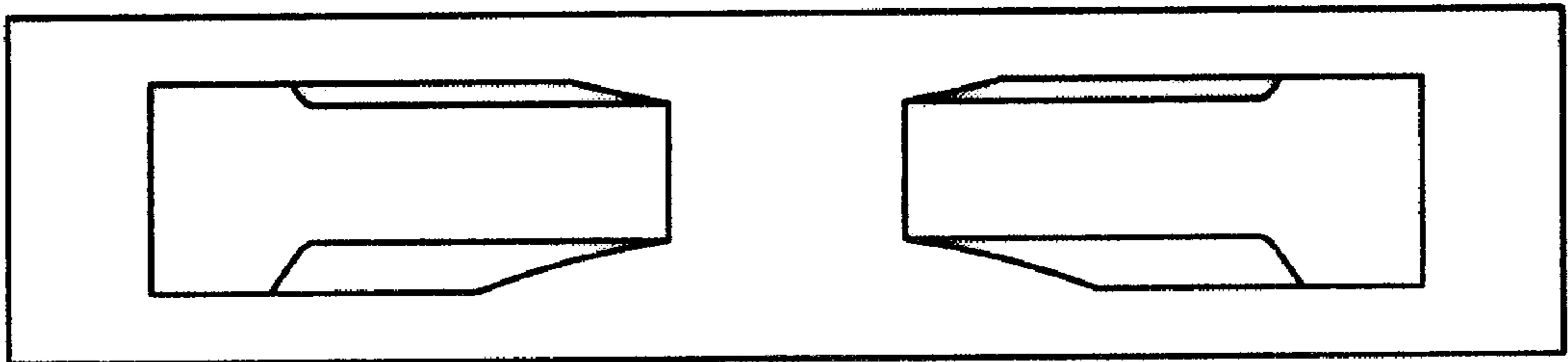


FIG. 6

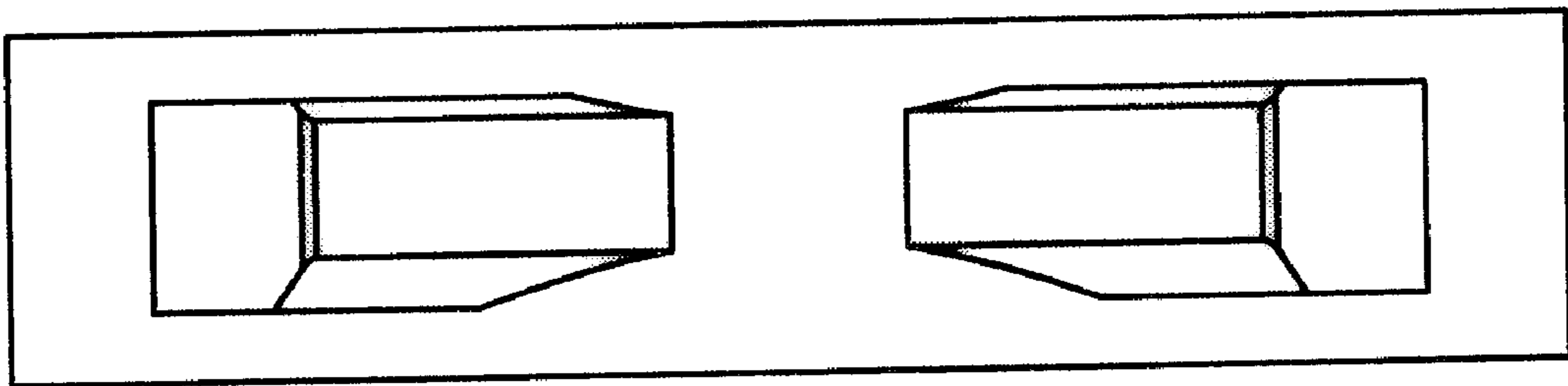


FIG. 7