



US00D487799S

(12) **United States Design Patent**  
**Czerwinski, Jr. et al.**

(10) **Patent No.:** **US D487,799 S**  
(45) **Date of Patent:** **\*\* Mar. 23, 2004**

(54) **SPOUT**

(75) Inventors: **Jerome F. Czerwinski, Jr.**, Long Beach, CA (US); **Aaron E. Hanna**, Redlands, CA (US)

(73) Assignee: **Newfrey LLC**, Newark, DE (US)

(\*\*) Term: **14 Years**

(21) Appl. No.: **29/176,896**

(22) Filed: **Feb. 28, 2003**

**Related U.S. Application Data**

(62) Division of application No. 29/163,301, filed on Jul. 1, 2002, now Pat. No. Des. 474,834, which is a division of application No. 29/140,867, filed on Apr. 26, 2001, now Pat. No. Des. 465,265.

(51) **LOC (7) Cl.** ..... **23-01**

(52) **U.S. Cl.** ..... **D23/255**

(58) **Field of Search** ..... D23/238-257;  
4/675-678; 137/801

(56) **References Cited**

**U.S. PATENT DOCUMENTS**

- D139,827 S \* 12/1944 Picut ..... D23/255
- D287,395 S 12/1986 Piesco
- D318,099 S 7/1991 Reid et al.
- D349,326 S 8/1994 Bollenbacher
- D382,042 S 8/1997 Bollenbacher

- D408,897 S \* 4/1999 Warshawsky ..... D23/255
- D417,490 S \* 12/1999 Formgren ..... D23/255
- D429,800 S 8/2000 Spangler
- D433,739 S 11/2000 Lord
- D465,265 S \* 11/2002 Czerwinski, Jr. et al. .. D23/238
- D465,834 S \* 11/2002 Singtoroj ..... D23/255

\* cited by examiner

*Primary Examiner*—Louis S. Zarfes

*Assistant Examiner*—Gregory Andoll

(74) *Attorney, Agent, or Firm*—Richard J. Veltman; John D. Del Ponti

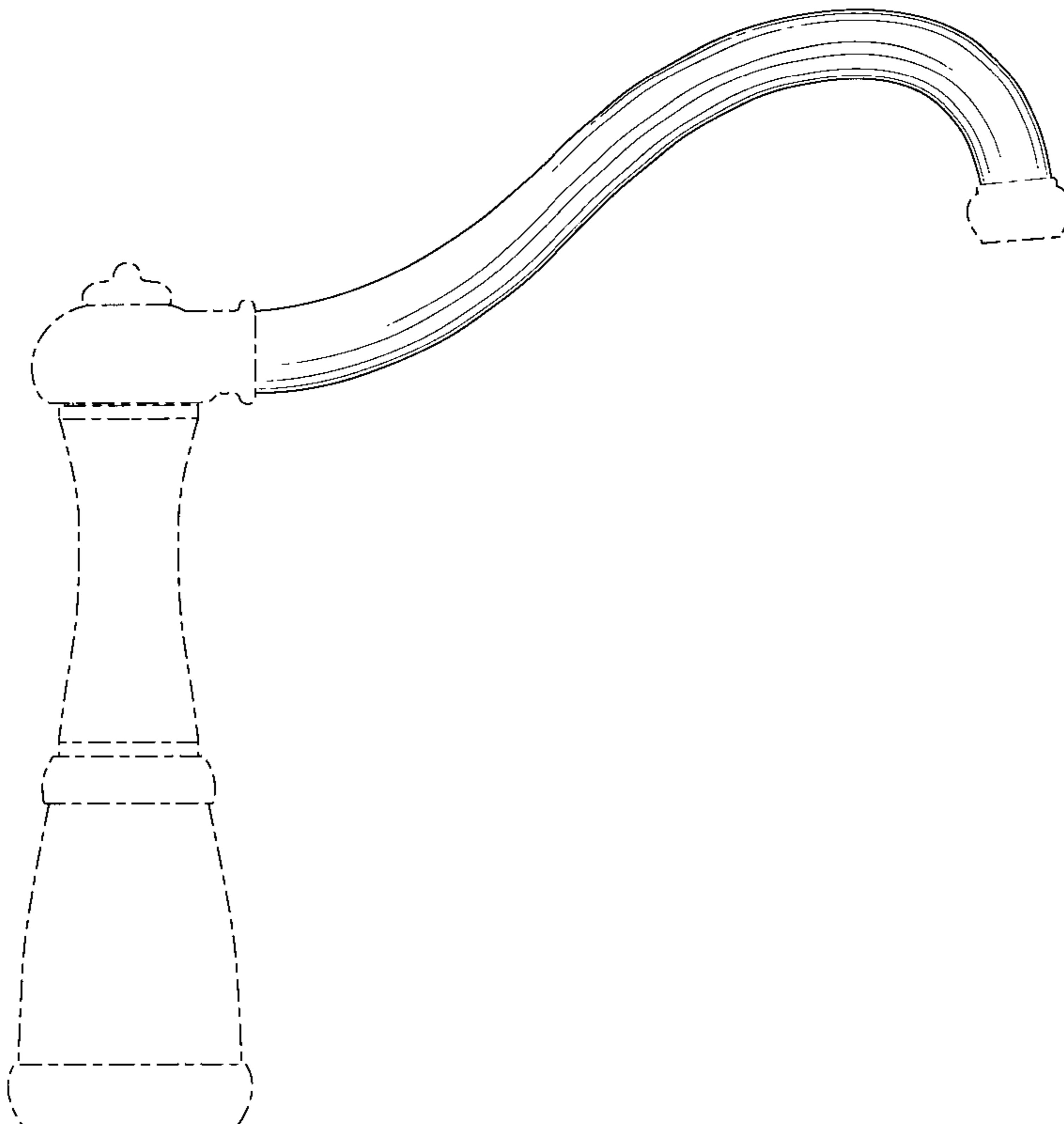
(57) **CLAIM**

The ornamental design for a spout, as shown and described.

**DESCRIPTION**

FIG. 1 is a perspective view of the new design for a spout; FIG. 2 is a front elevational view of the new design for a spout; FIG. 3 is a rear elevational view of the new design for a spout; FIG. 4 is a right side elevational view of the new design for a spout; FIG. 5 is a left side elevational view of the new design for a spout; FIG. 6 is a top plan view of the new design for a spout; and, FIG. 7 is a bottom plan view of the new design for a spout. The broken lines in the Figures are for illustrative purposes only and form no part of the claimed design.

**1 Claim, 6 Drawing Sheets**



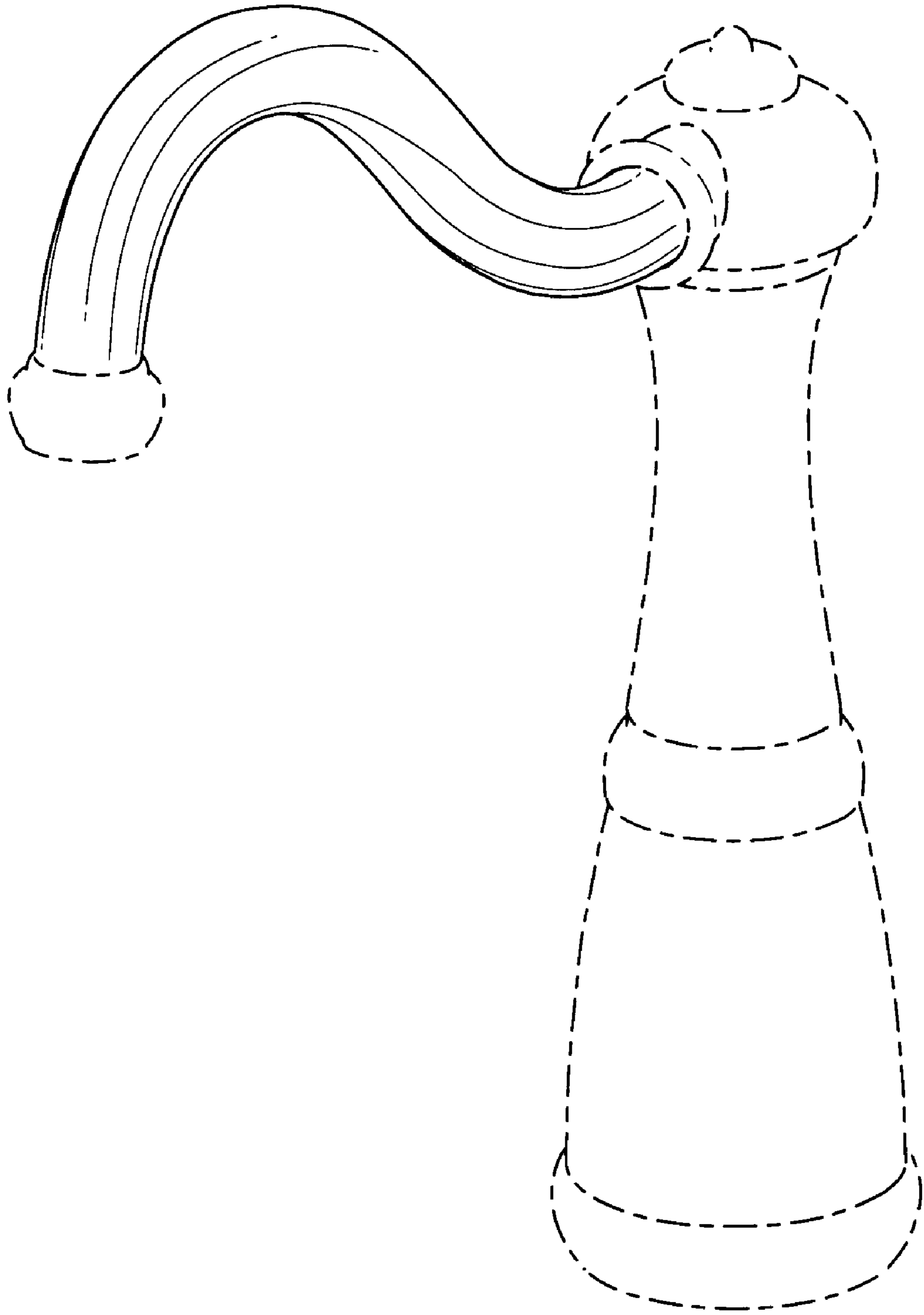


FIG. 1

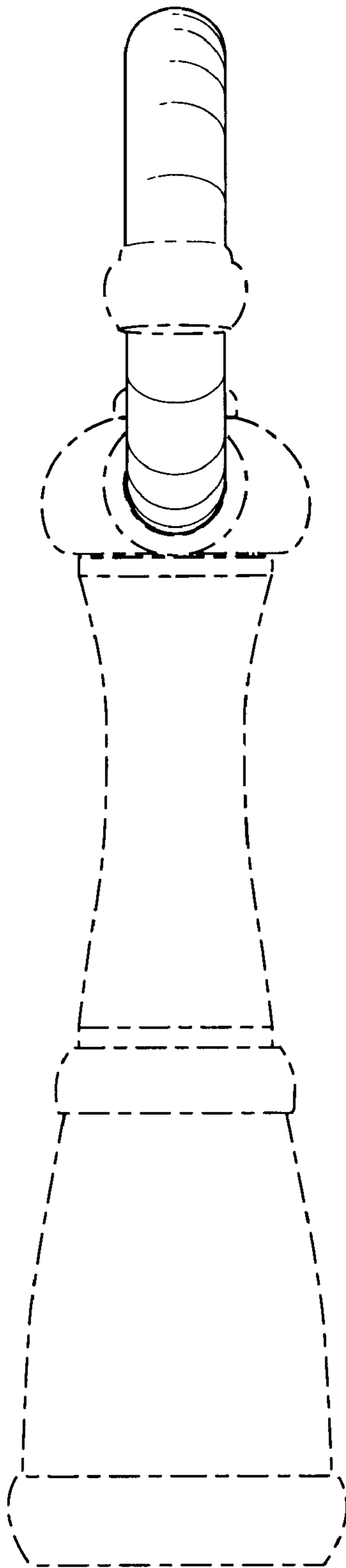


FIG. 2

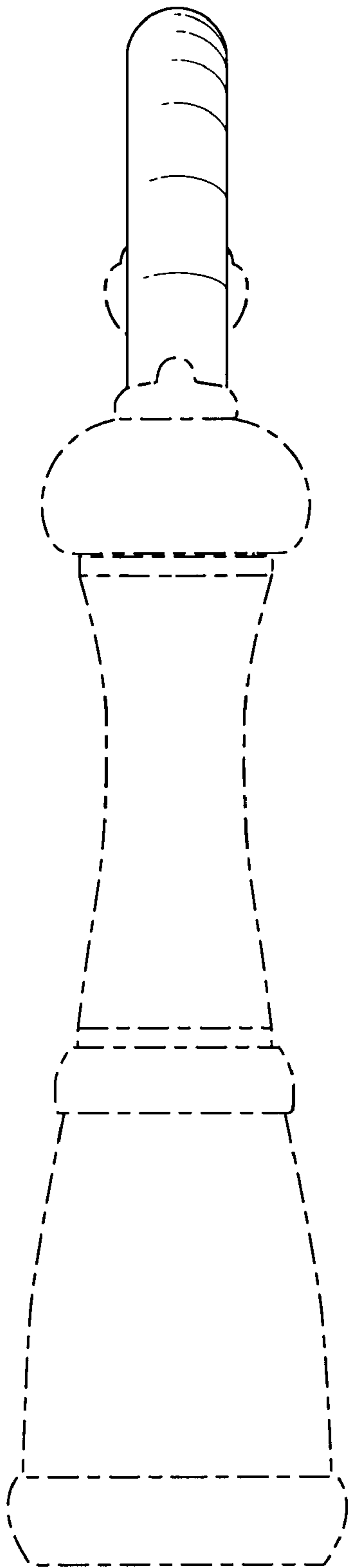


FIG. 3

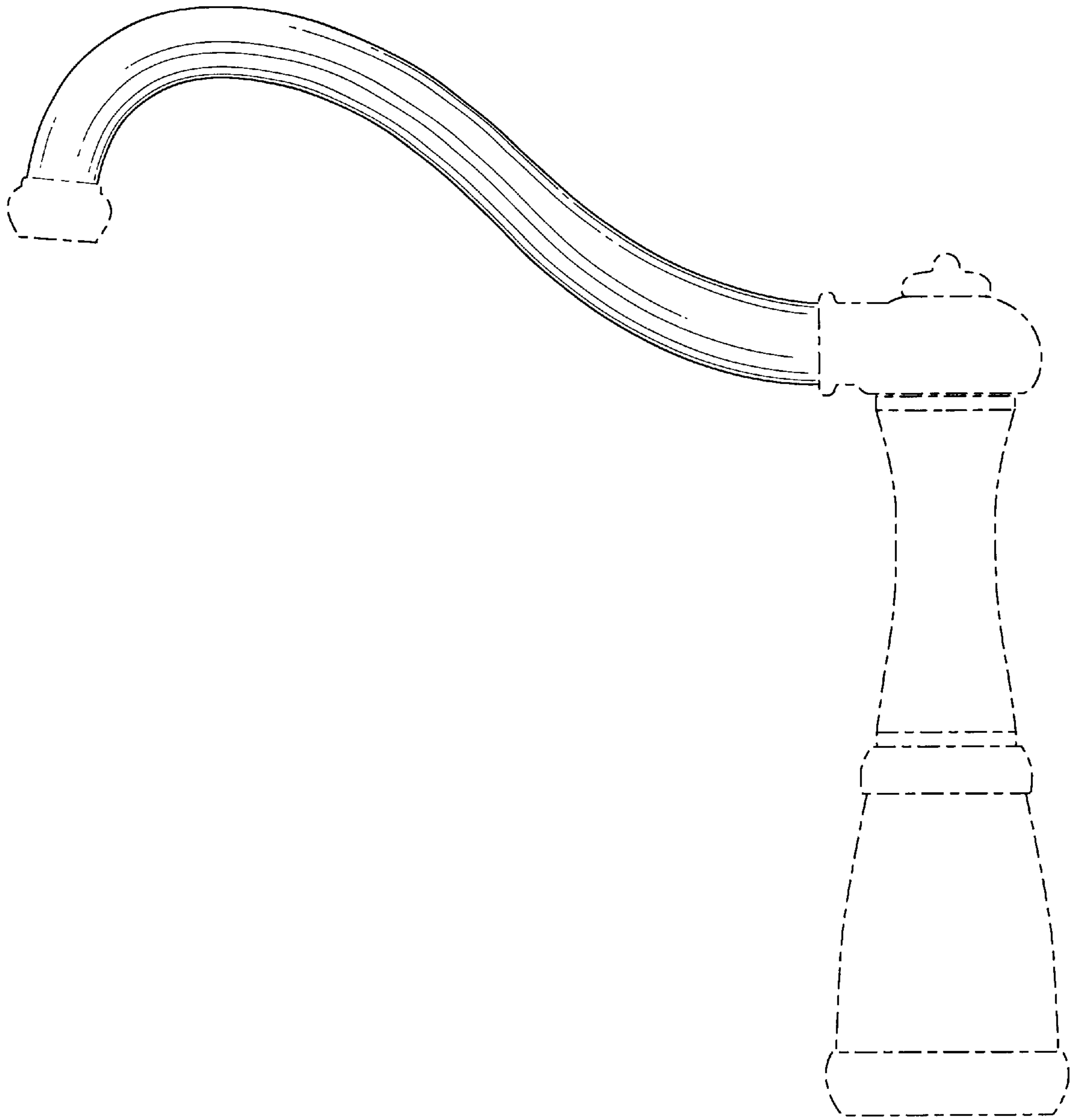


FIG. 4

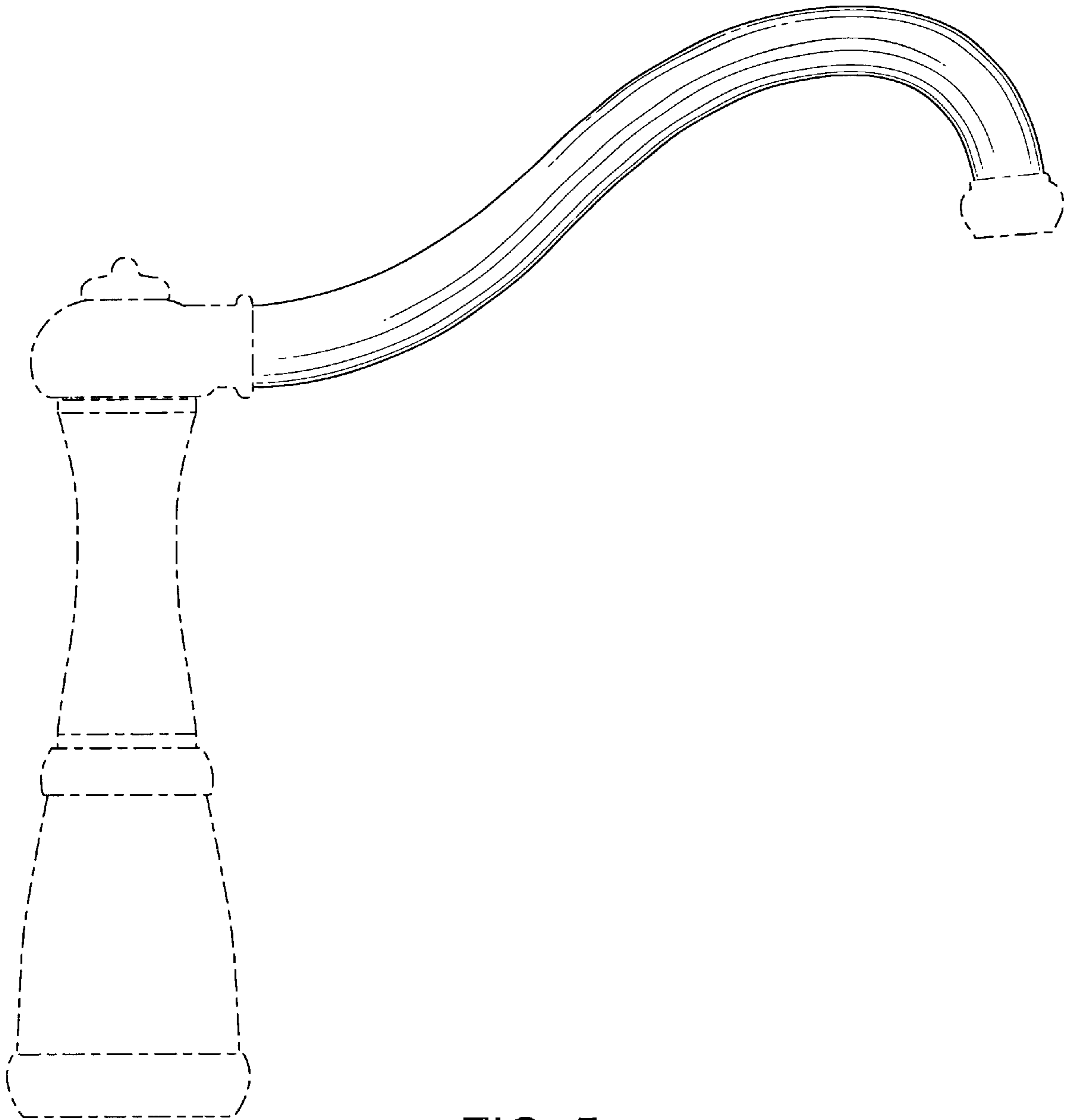


FIG. 5

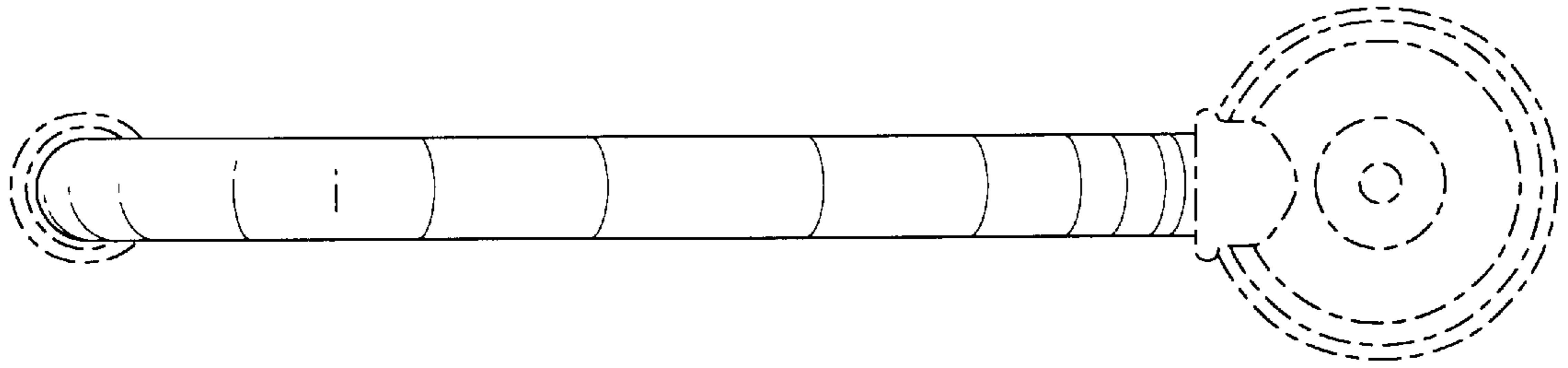


FIG. 6

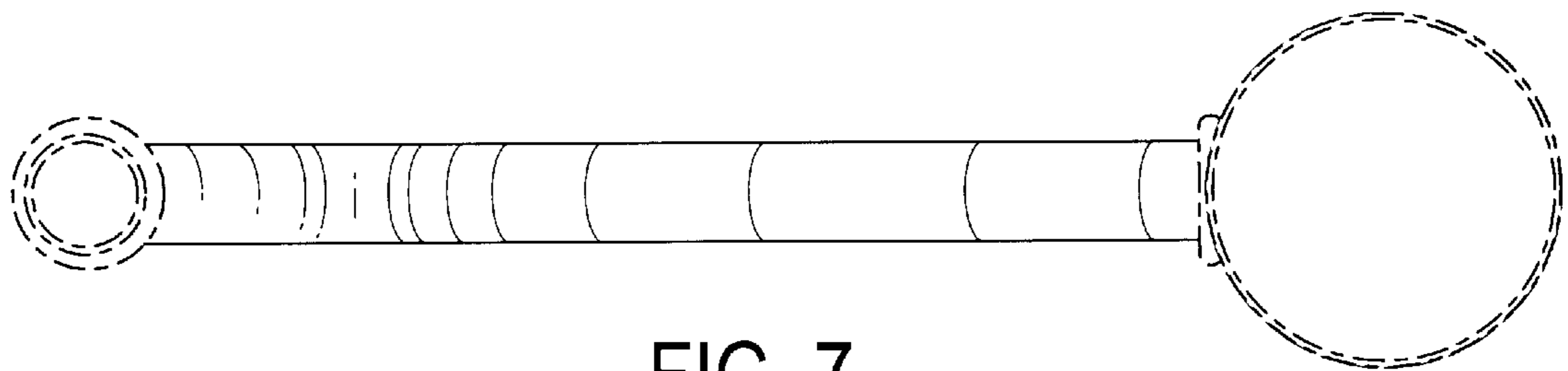


FIG. 7