



US00D487796S

(12) **United States Design Patent**
Huang

(10) **Patent No.:** **US D487,796 S**

(45) **Date of Patent:** **** Mar. 23, 2004**

(54) **SPRAY GUN BODY**

(76) Inventor: **Tiao-Hsiang Huang**, NO. 190, Chung Cheng St., Shin Chuang City, Taipei Hsien (TW)

(**) Term: **14 Years**

(21) Appl. No.: **29/181,111**

(22) Filed: **May 6, 2003**

(51) **LOC (7) Cl.** **23-01**

(52) **U.S. Cl.** **D23/223**

(58) **Field of Search** D23/213, 223, D23/226; 239/525, 526, 527

(56) **References Cited**

U.S. PATENT DOCUMENTS

D358,450 S	*	5/1995	Casey	D23/223
D372,517 S	*	8/1996	Farnsteiner	D23/223
D474,257 S	*	5/2003	Huang	D23/223

* cited by examiner

Primary Examiner—Robin V. Taylor

(74) *Attorney, Agent, or Firm*—Rosenberg, Klein & Lee

(57) **CLAIM**

The ornamental design for a spray gun body, as shown and described.

DESCRIPTION

FIG. 1 is a perspective view of a spray gun body showing my present design;

FIG. 2 is a front view thereof;

FIG. 3 is a rear view thereof;

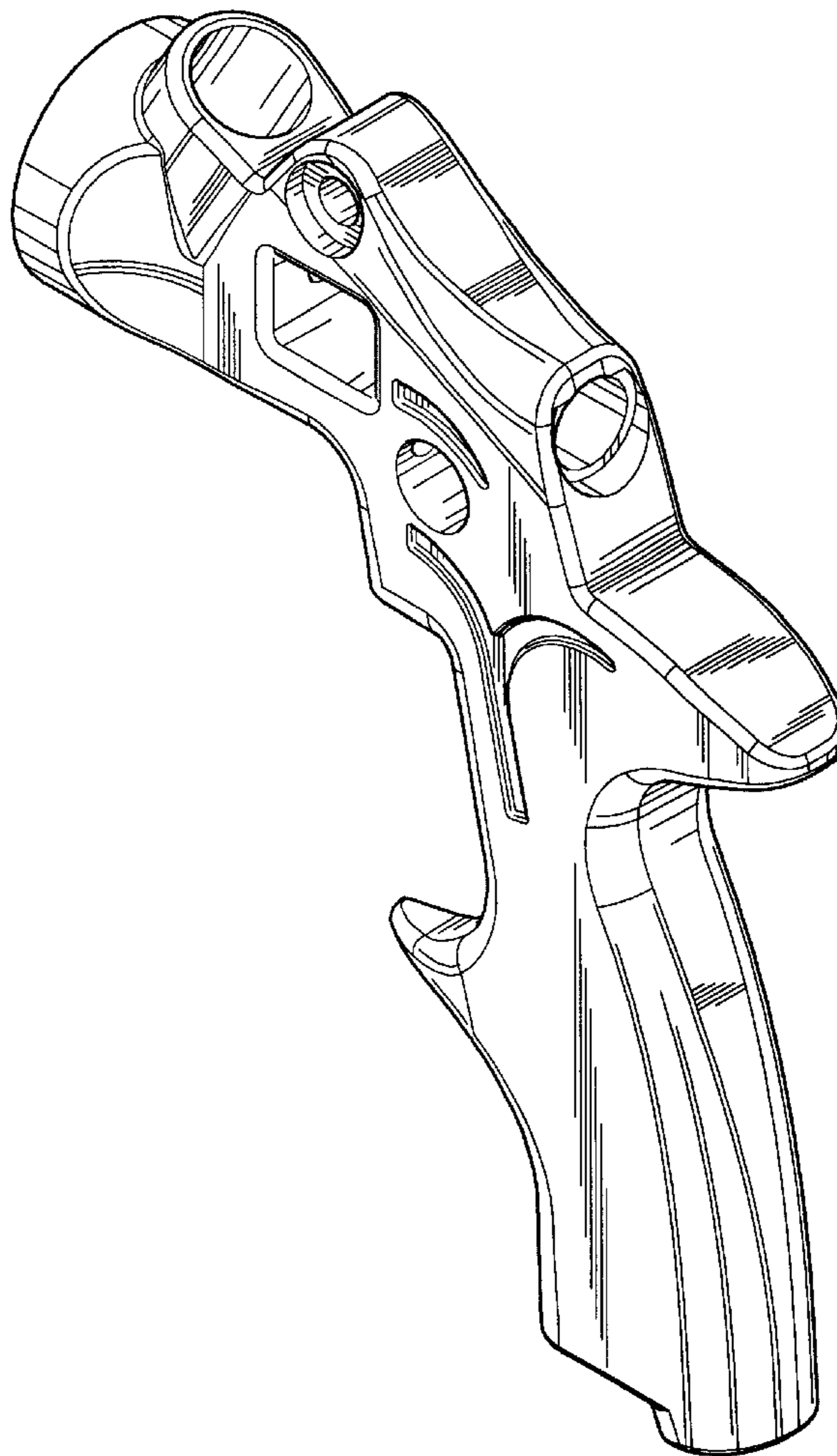
FIG. 4 is a left view thereof;

FIG. 5 is a right view thereof;

FIG. 6 is a top plan view thereof; and,

FIG. 7 is a bottom plan view.

1 Claim, 5 Drawing Sheets



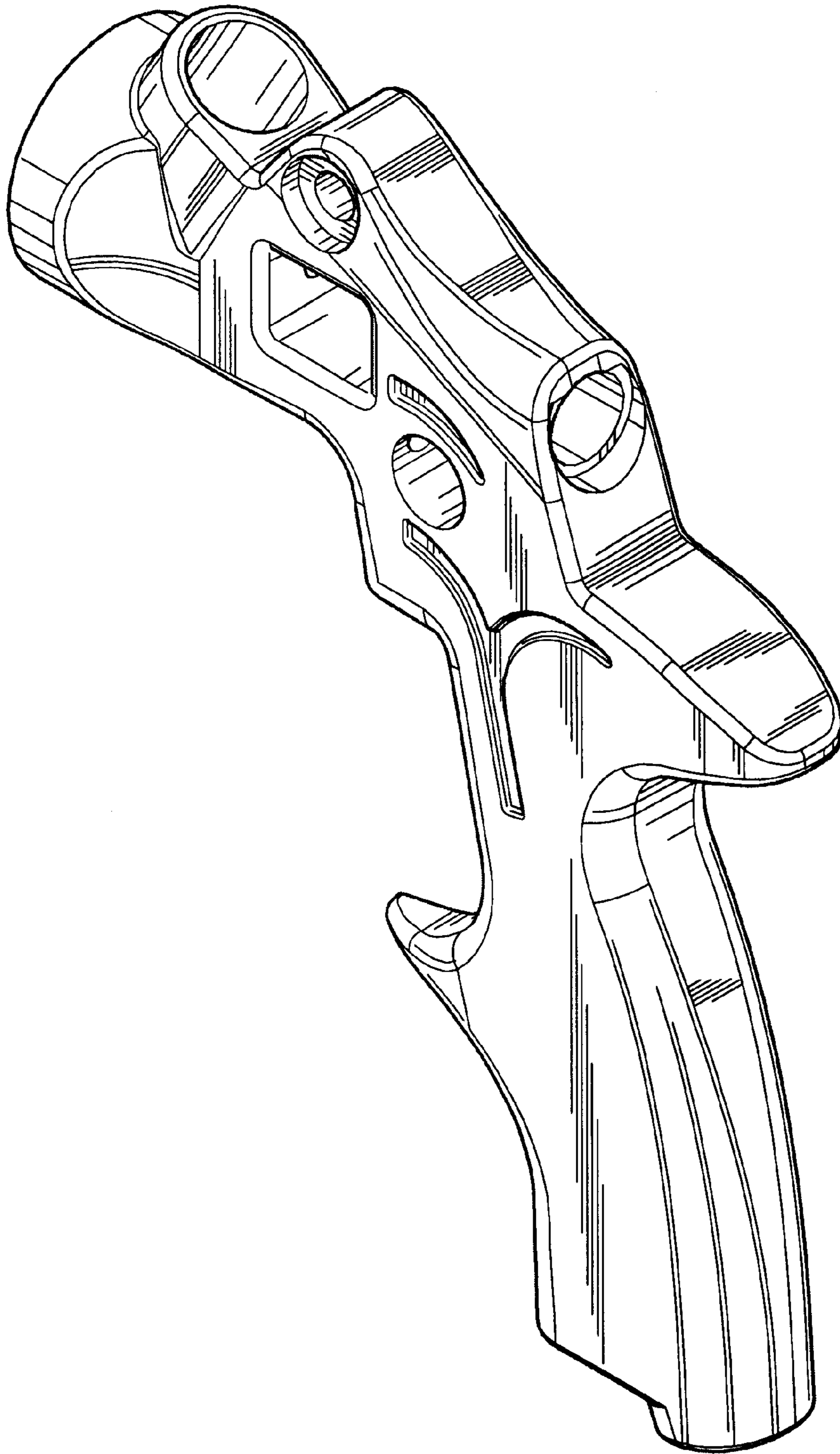


FIG. 1

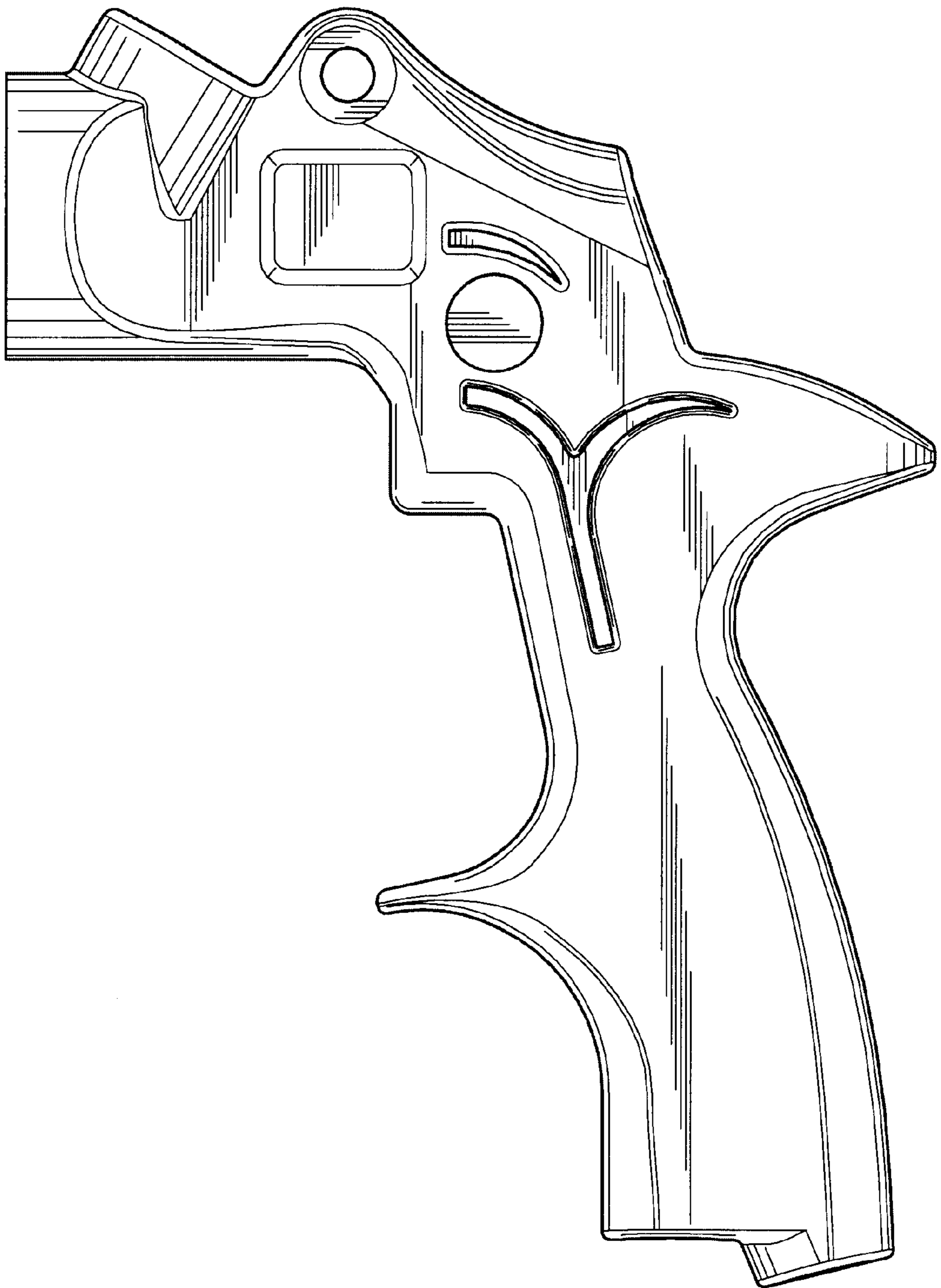


FIG. 2

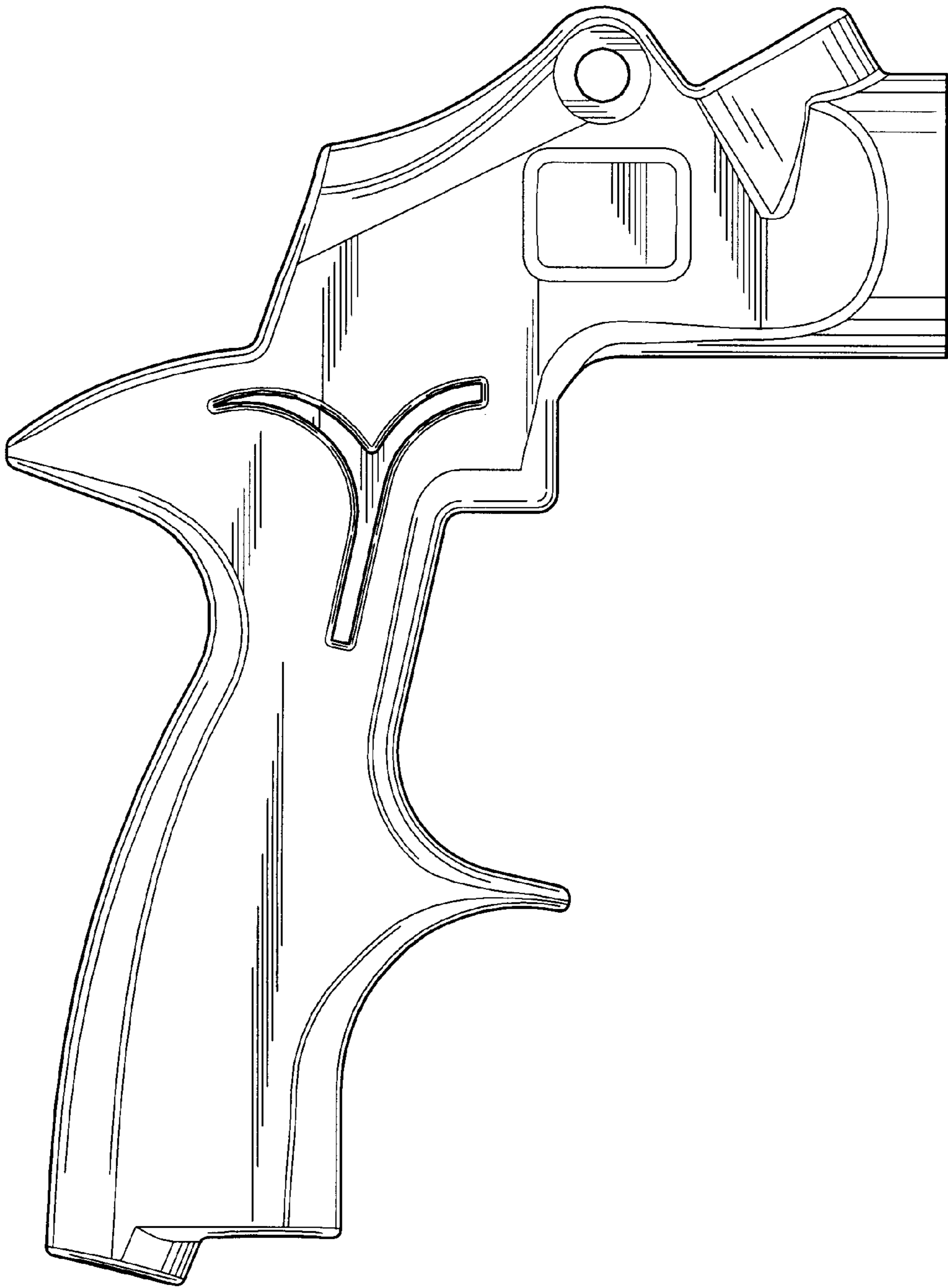


FIG. 3

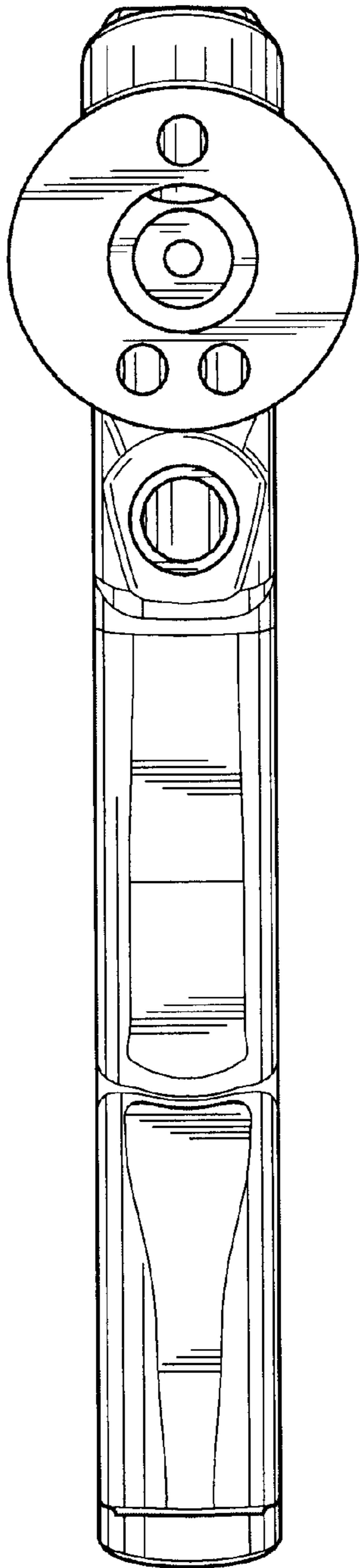


FIG. 5

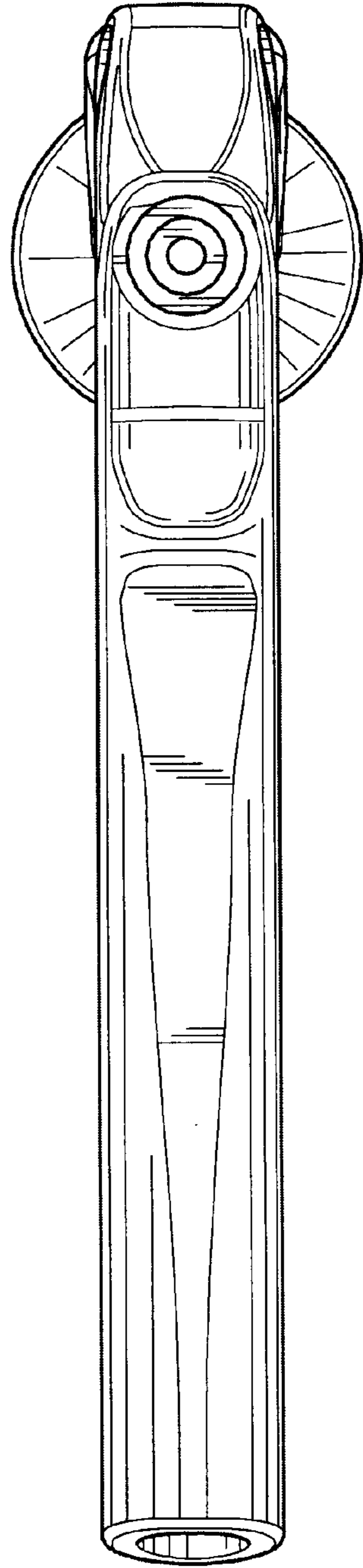


FIG. 4

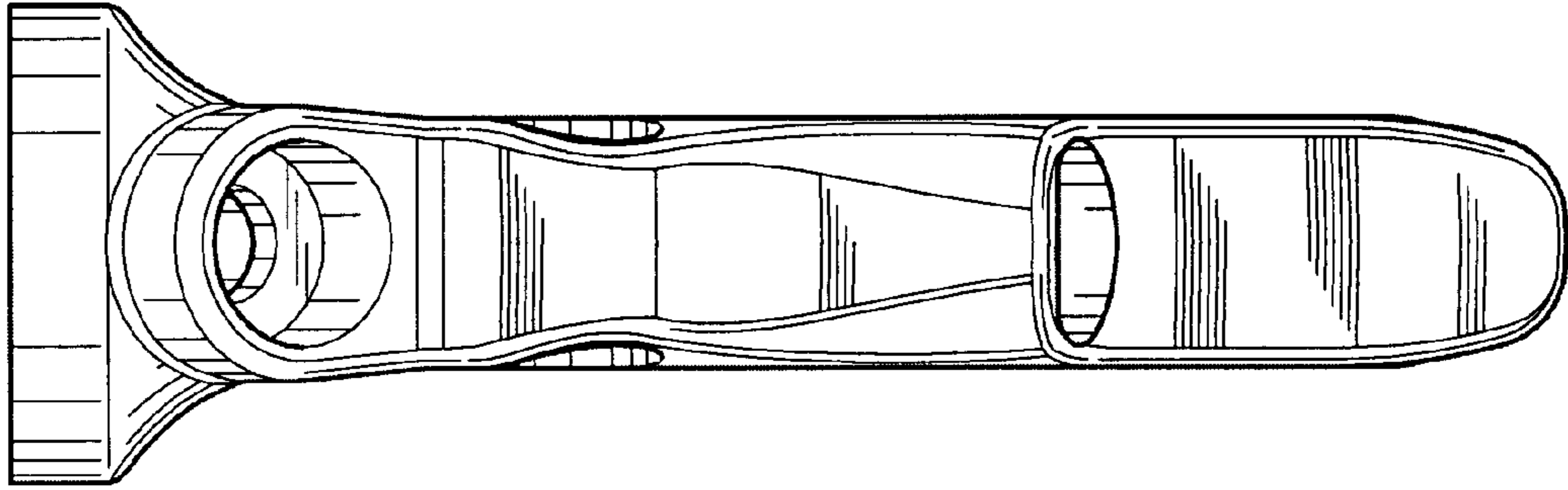


FIG. 6

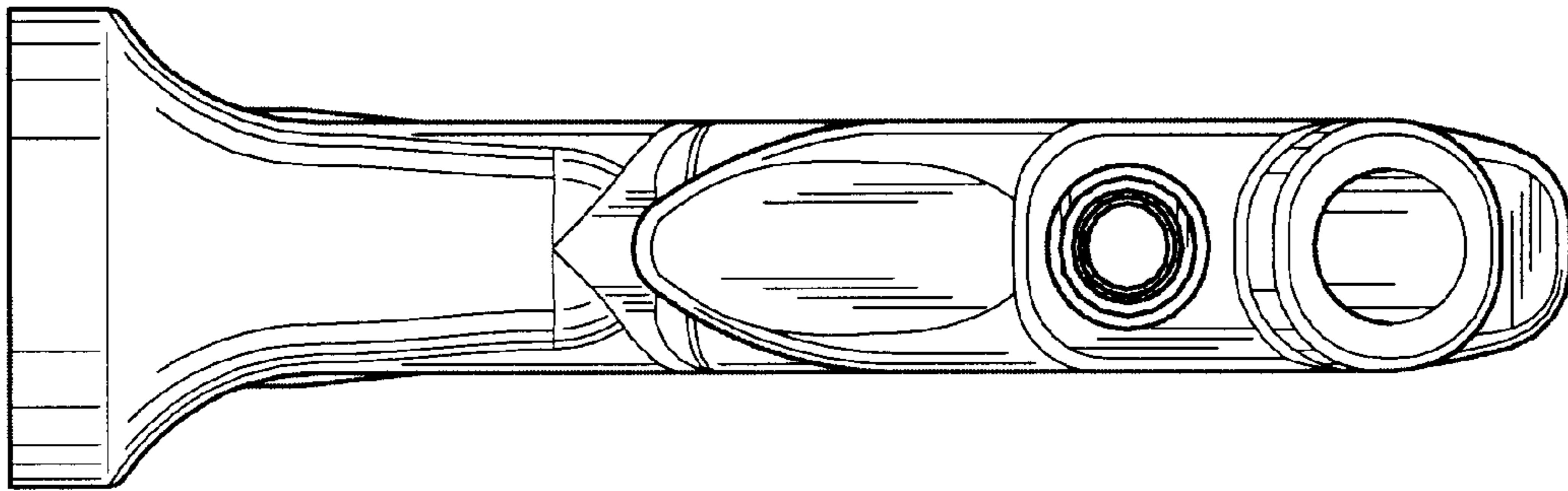


FIG. 7