



US00D487795S

(12) **United States Design Patent**
Spangler

(10) **Patent No.:** **US D487,795 S**

(45) **Date of Patent:** **** Mar. 23, 2004**

(54) **SHOWER BODY**

D448,829 S * 10/2001 Hunt D23/213

(75) Inventor: **Anthony G. Spangler**, Greensburg, IN (US)

* cited by examiner

(73) Assignee: **Masco Corporation of Indiana**, Indianapolis, IN (US)

Primary Examiner—Robin V. Taylor
(74) *Attorney, Agent, or Firm*—Kwadjo Adusei-Poku; Lloyd D. Doigan

(**) Term: **14 Years**

(57) **CLAIM**

(21) Appl. No.: **29/180,367**

The ornamental design for a shower body, as shown and described.

(22) Filed: **Apr. 23, 2003**

DESCRIPTION

(51) **LOC (7) Cl.** **23-01**

(52) **U.S. Cl.** **D23/213**

(58) **Field of Search** D23/213, 223, D23/229, 230; 239/556, 557

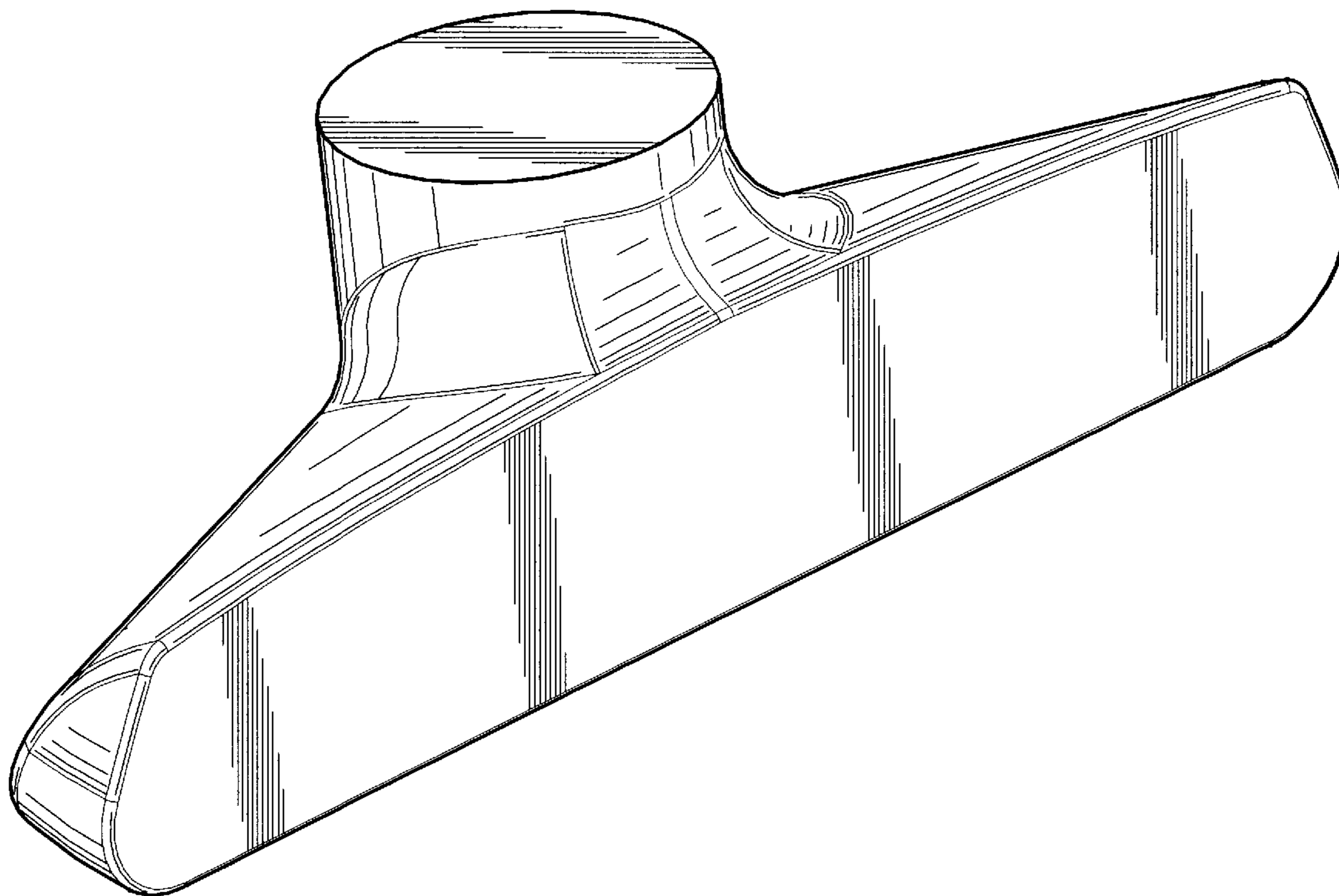
FIG. 1 is a rear perspective view of a shower body showing my new design;
FIG. 2 is a front perspective view thereof;
FIG. 3 is a front elevational view thereof;
FIG. 4 is a left side elevational view thereof;
FIG. 5 is a right side elevational view thereof;
FIG. 6 is a rear elevational view thereof;
FIG. 7 is a top plan view thereof; and,
FIG. 8 is a bottom plan view thereof.

(56) **References Cited**

U.S. PATENT DOCUMENTS

- 2,003,052 A * 5/1935 Lord 239/567
- 3,214,133 A * 10/1965 Rodgers et al. 251/175
- D432,629 S * 10/2000 Jacobs D23/226

1 Claim, 5 Drawing Sheets



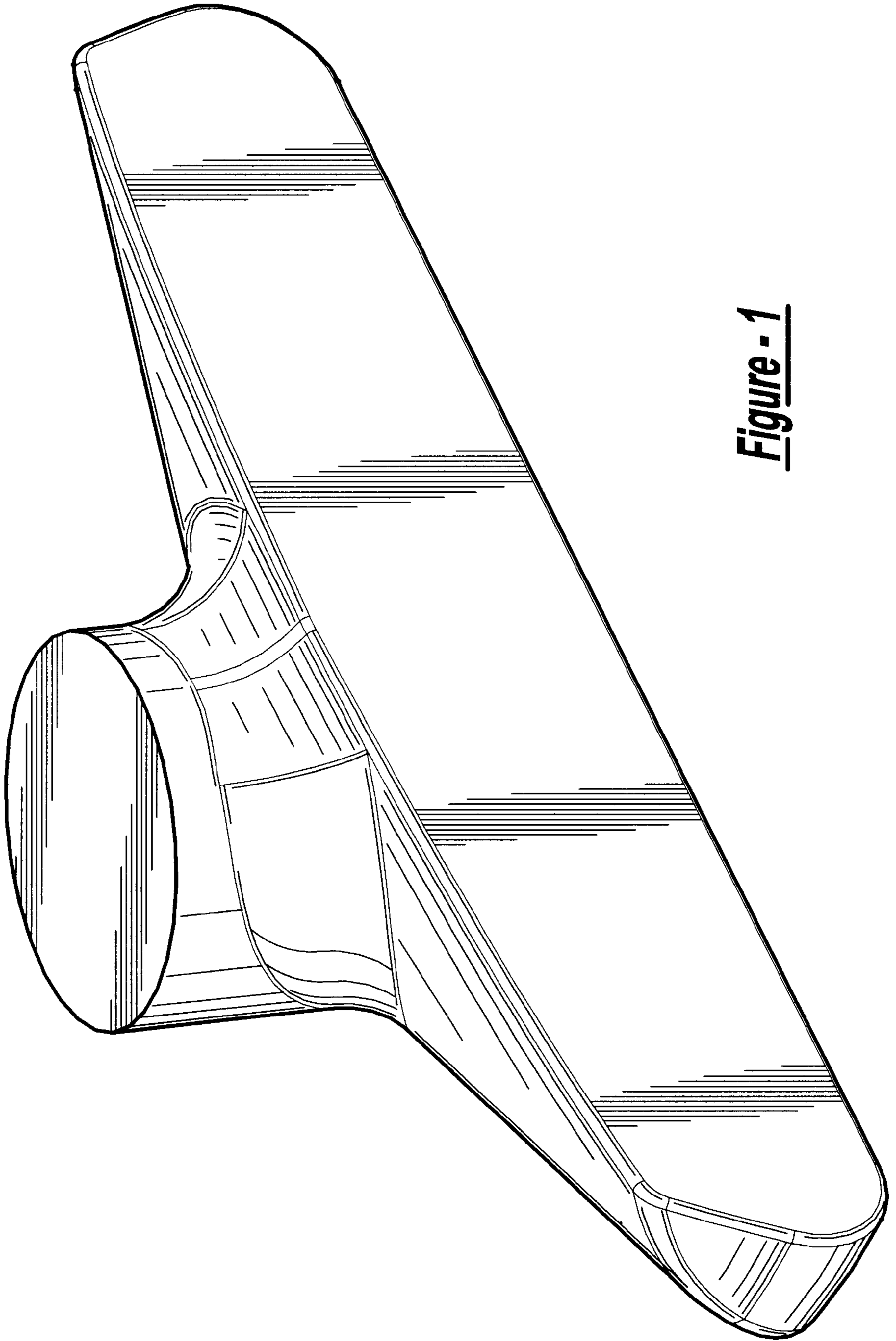


Figure - 1

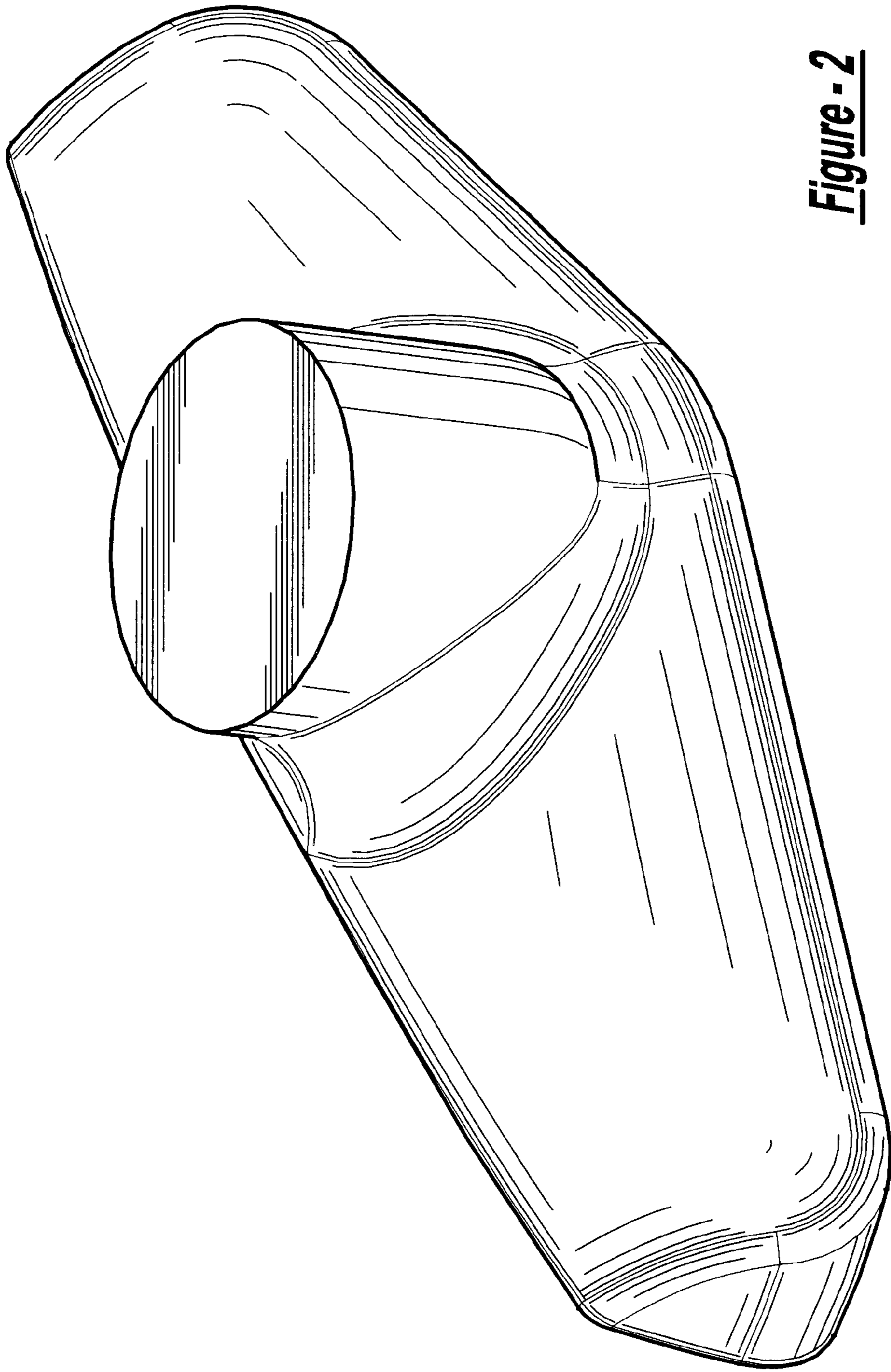


Figure - 2

Figure - 3

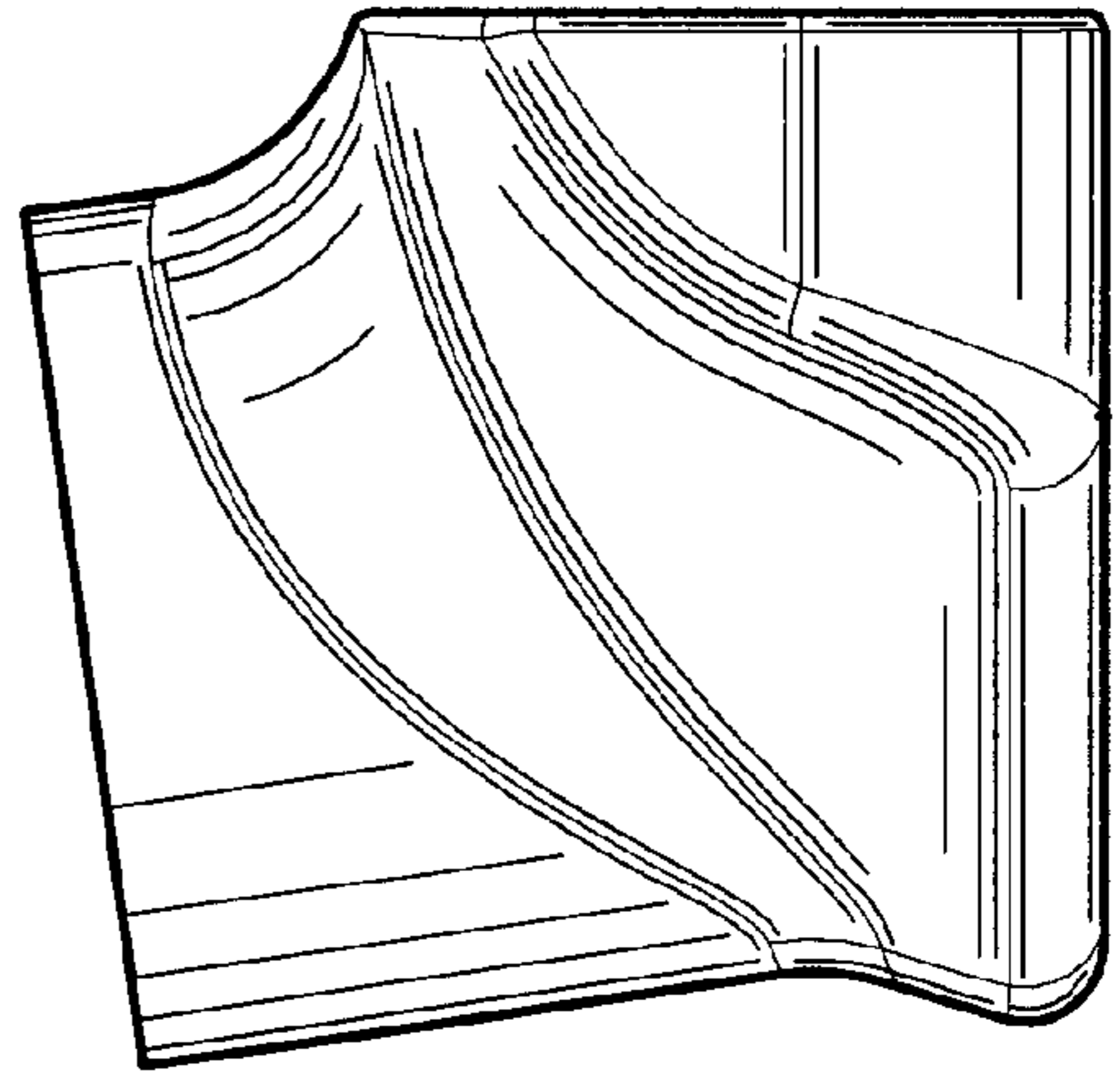
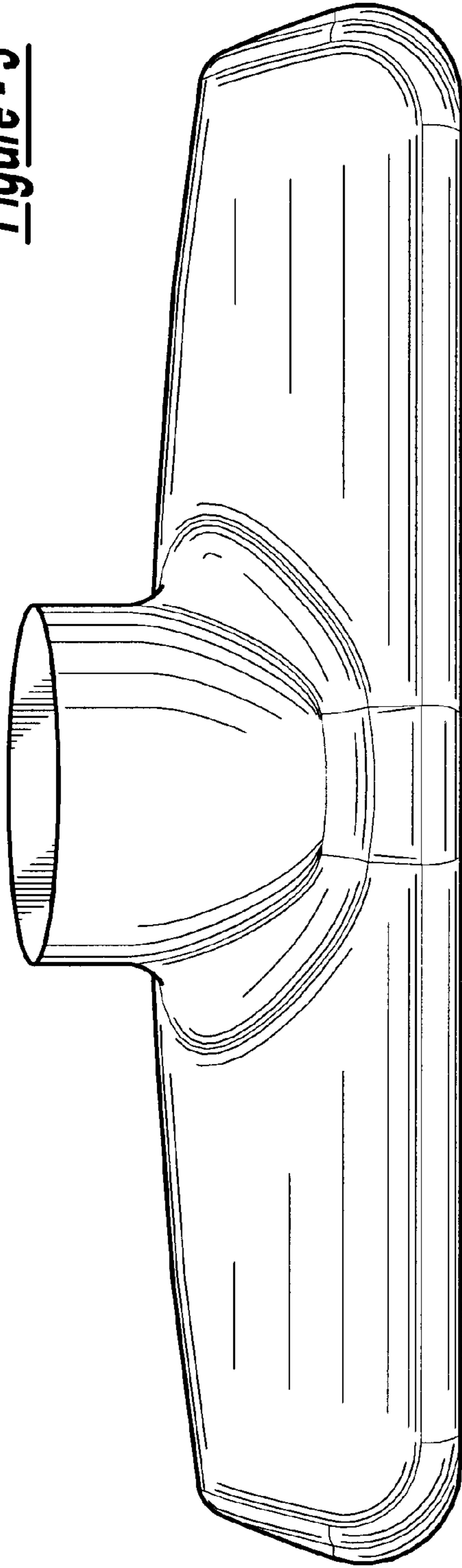


Figure - 4

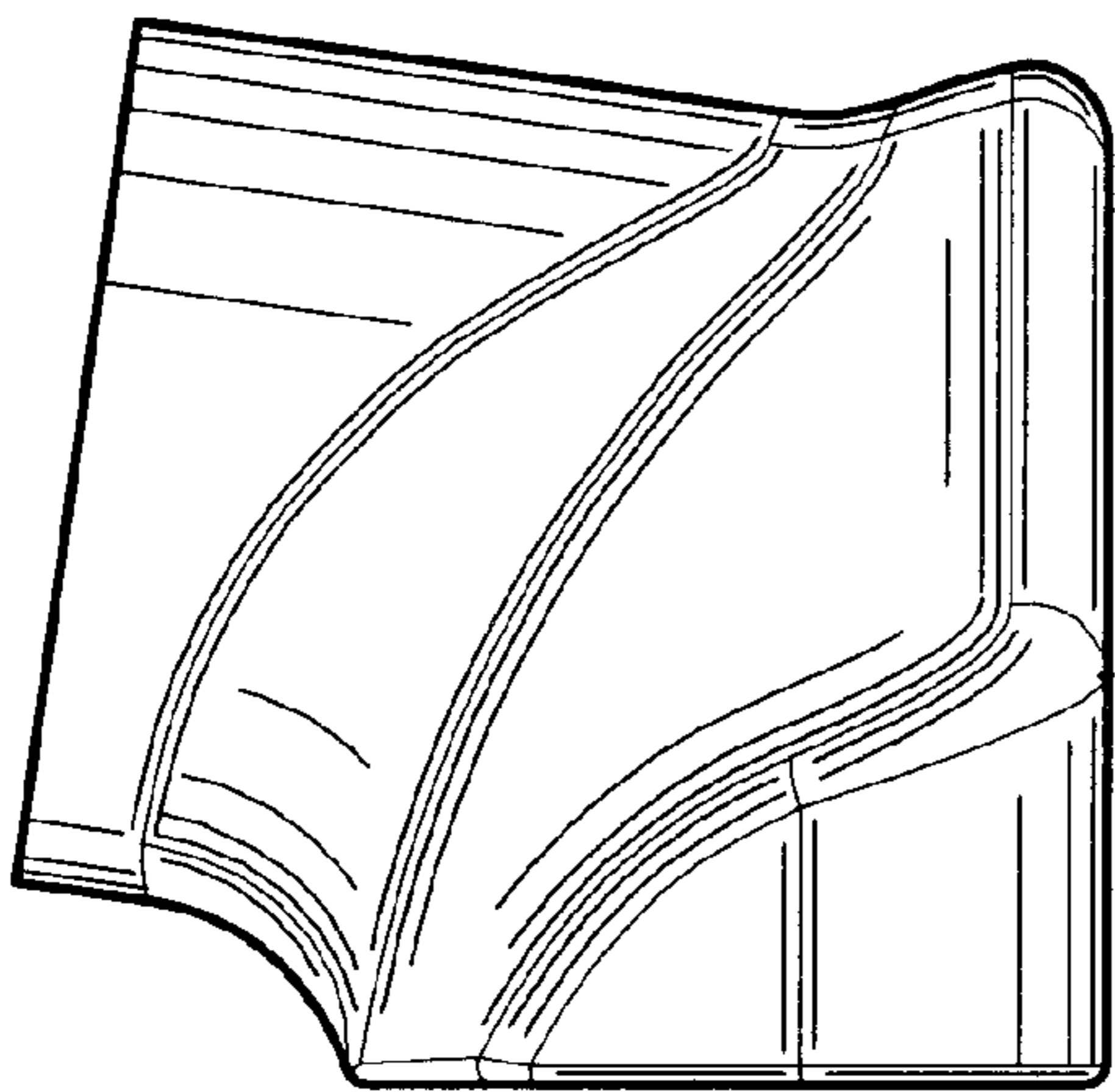


Figure - 5

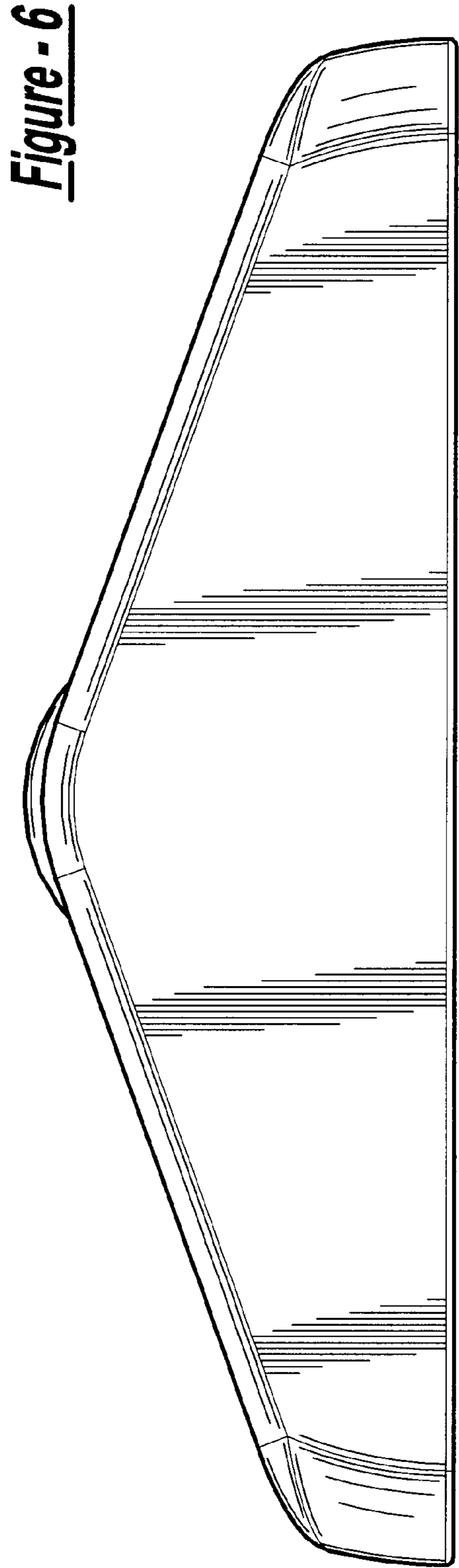


Figure - 6

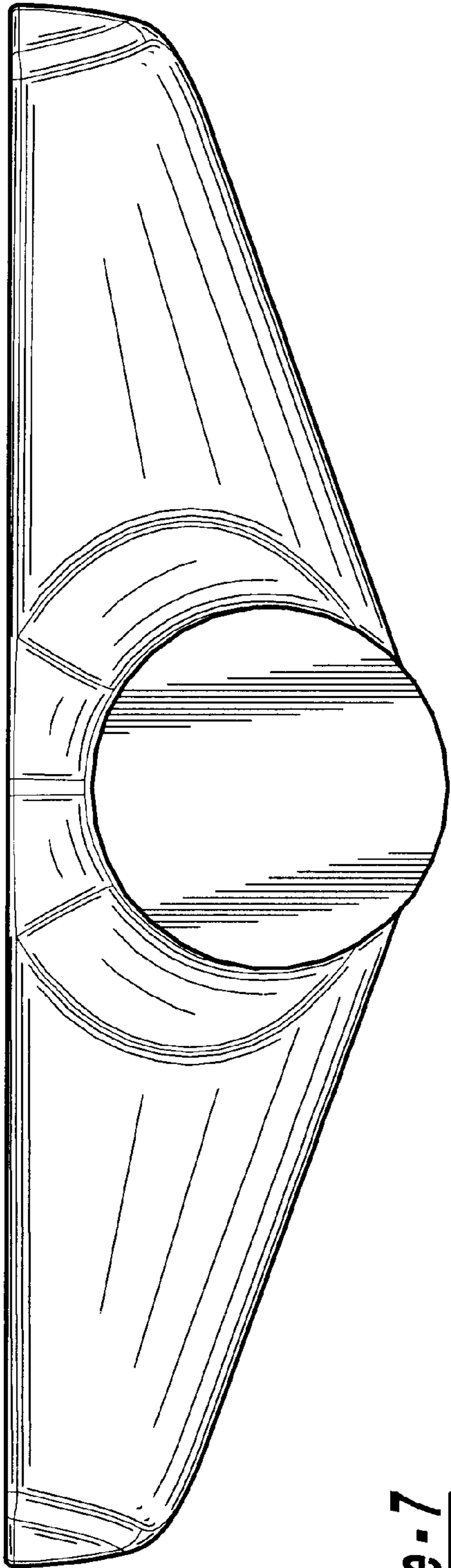


Figure - 7

Figure - 8

