



US00D487792S

(12) **United States Design Patent**
Selvaggio

(10) **Patent No.:** **US D487,792 S**

(45) **Date of Patent:** **** *Mar. 23, 2004**

(54) **SCOPE MOUNT**

2002/0007581 A1 * 1/2002 Bucciarelli et al. 42/98

* cited by examiner

(76) **Inventor:** **Dave Selvaggio**, 10122 W. Belden,
Melrose Park, IL (US) 60164

Primary Examiner—Louis S. Zarfes

Assistant Examiner—Monica A. Weingart

(*) **Notice:** This patent is subject to a terminal disclaimer.

(74) *Attorney, Agent, or Firm*—Faier & Faier P.C.; Martin Faier

(**) **Term:** **14 Years**

(57) **CLAIM**

The ornamental design for a scope mount, as shown and described.

(21) **Appl. No.:** **29/167,990**

DESCRIPTION

(22) **Filed:** **Sep. 26, 2002**

(51) **LOC (7) Cl.** **22-01**

FIG. 1 is a front elevational view of the scope mount showing my new design;

(52) **U.S. Cl.** **D22/110**

FIG. 2 is a top plan view thereof;

(58) **Field of Search** D22/100, 108,
D22/109, 110, 199; 42/98, 111, 113, 116,
119, 124, 125, 127, 90, 145; 33/533, 645

FIG. 3 is a bottom plan view thereof;

FIG. 4 is an alternate front elevational view thereof;

FIG. 5 is a rear elevational view thereof;

FIG. 6 is a left side elevational view thereof;

(56) **References Cited**

U.S. PATENT DOCUMENTS

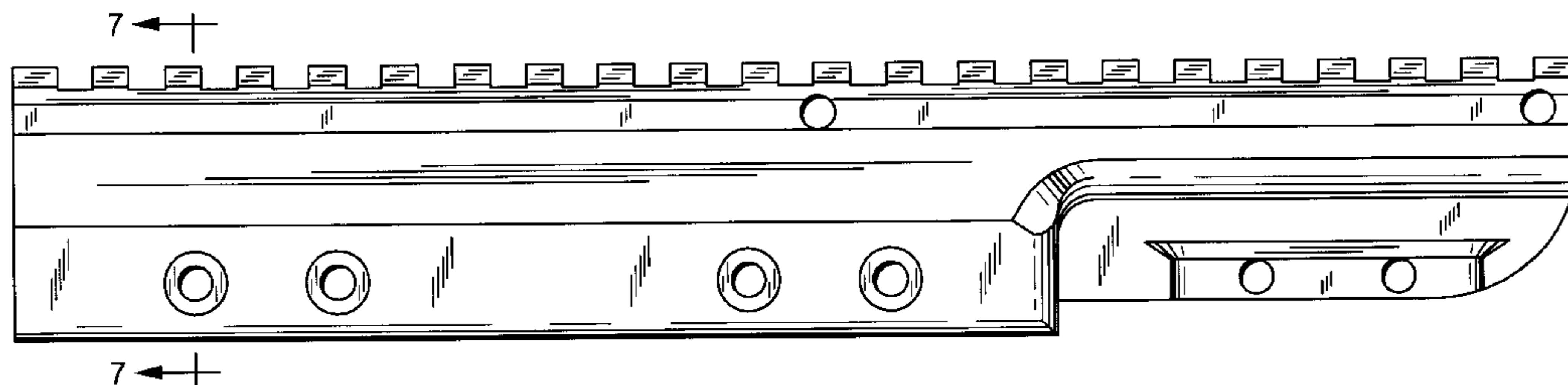
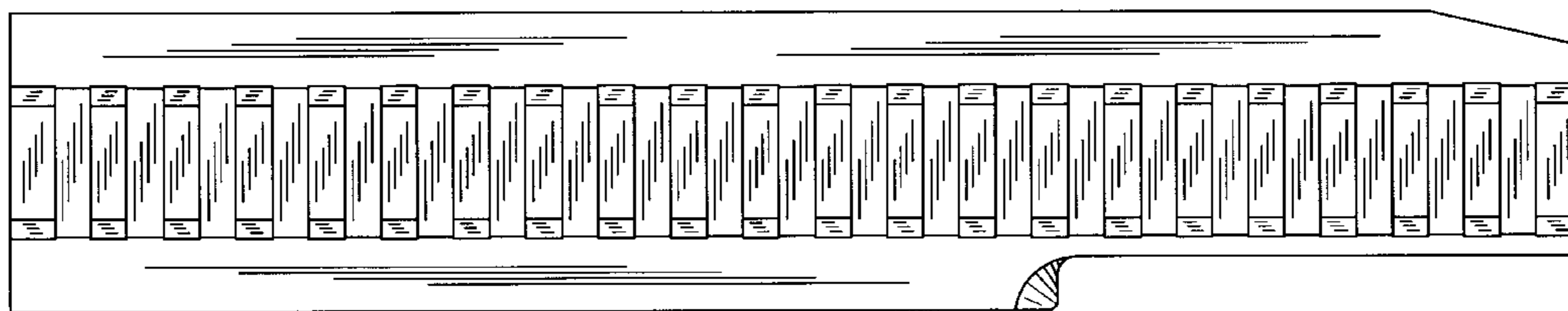
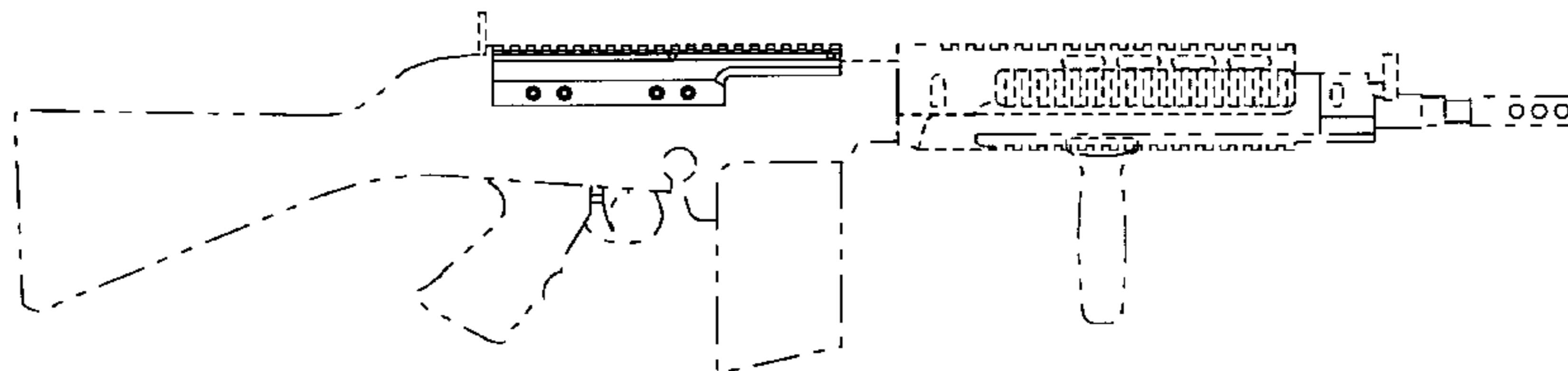
- 4,993,158 A * 2/1991 Santiago D22/109 X
- D318,708 S * 7/1991 Bechtel D22/110
- 5,590,484 A * 1/1997 Mooney et al. 42/111
- 5,941,489 A * 8/1999 Fanelli et al. 42/125
- 6,418,657 B1 * 7/2002 Brown 42/124

FIG. 7 is a sectional view taken along the 7—7 on FIG. 4 thereof; and,

FIG. 8 is a right side elevational view thereof.

The broken line showing of a rifle, in FIG. 1, is for illustrative purposes only and forms no part of the claimed design.

1 Claim, 2 Drawing Sheets



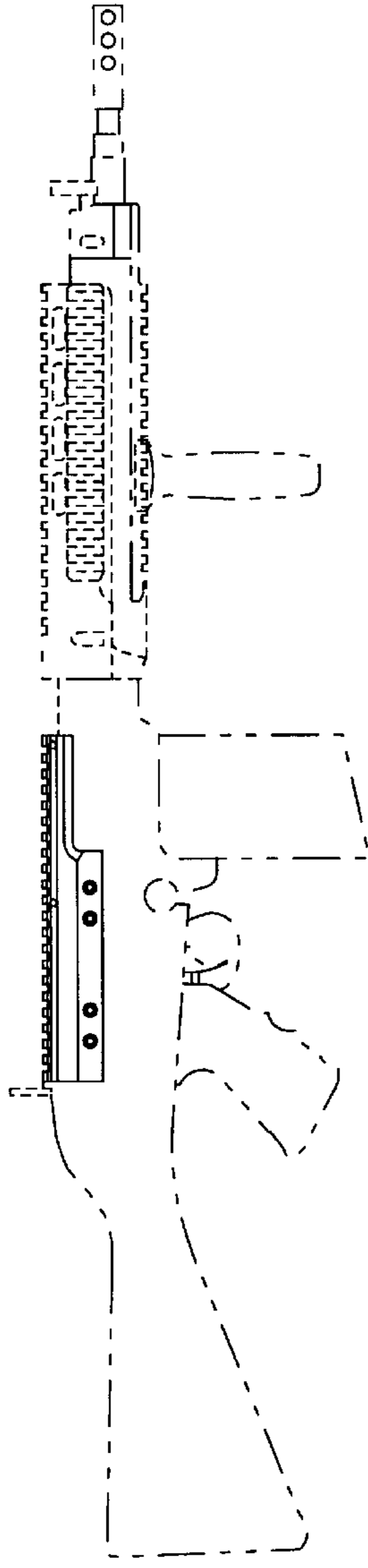


FIG. 1

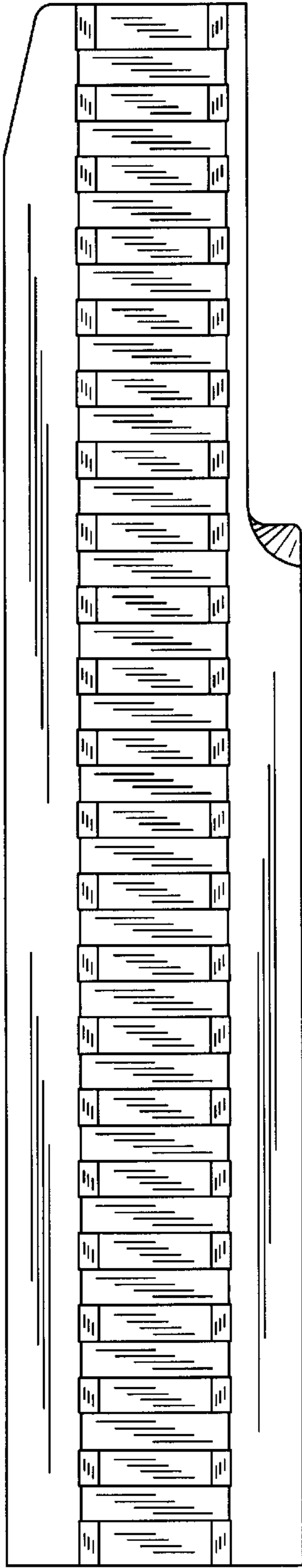


FIG. 2

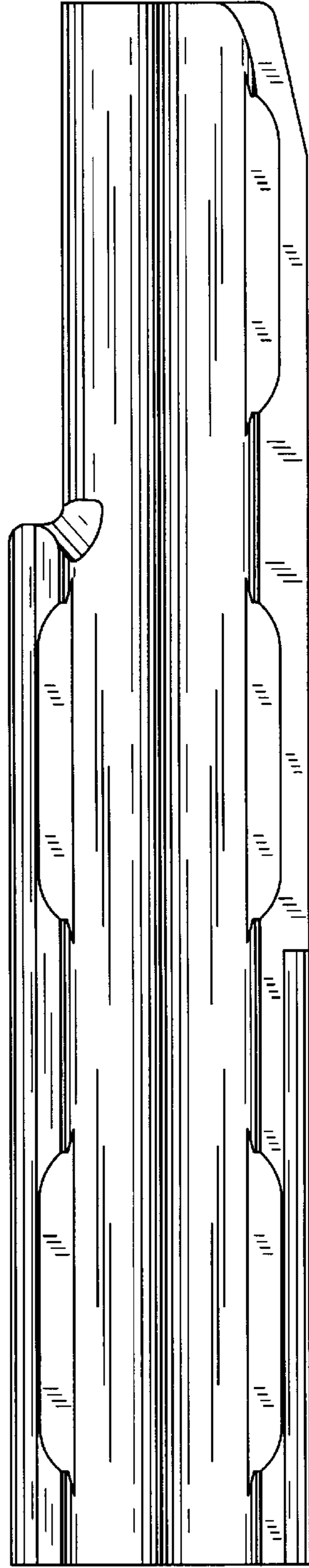


FIG. 3

