



US00D487789S

(12) **United States Design Patent**  
**Rager**

(10) **Patent No.:** **US D487,789 S**

(45) **Date of Patent:** **\*\* Mar. 23, 2004**

- (54) **BOW SIGHT**
- (75) Inventor: **Christopher A. Rager**, Three Forks, MT (US)
- (73) Assignee: **Trophy Ridge, LLC**, Bozeman, MT (US)
- (\*\*) Term: **14 Years**
- (21) Appl. No.: **29/183,911**
- (22) Filed: **Jun. 18, 2003**

- 5,630,279 A \* 5/1997 Slates ..... 33/265
- 5,634,278 A 6/1997 London
- 5,638,604 A 6/1997 Lorocco
- 5,653,217 A 8/1997 Keller
- 5,676,122 A 10/1997 Wiseby et al.
- 5,685,081 A 11/1997 Winegar
- 5,836,294 A 11/1998 Merritt
- 5,956,854 A 9/1999 Lorocco
- 6,000,141 A \* 12/1999 Afshari ..... 33/265
- 6,016,608 A 1/2000 Lorocco
- 6,154,971 A 12/2000 Perkins
- 6,276,068 B1 8/2001 Sheliga
- 6,397,483 B1 6/2002 Perkins
- 6,418,633 B1 7/2002 Rager
- 6,443,142 B1 \* 9/2002 Wiseby et al. .... 124/87

**Related U.S. Application Data**

- (63) Continuation of application No. 10/196,333, filed on Jul. 16, 2002, which is a continuation of application No. 09/607,243, filed on Jun. 30, 2000, now Pat. No. 6,413,633.
- (51) **LOC (7) Cl.** ..... **23-01**
- (52) **U.S. Cl.** ..... **D22/107**
- (58) **Field of Search** ..... D22/100, 107, D22/199; 33/265; 42/132, 136, 137, 138, 139, 145; 124/86, 87, 88

**OTHER PUBLICATIONS**

- Majestic Hunter bow sight from Altier Archery. (One page description with 8 photographs).
- Bow sight from HHA Sports. (One page description with 6 photographs).
- Bow sight from Tru-Glo, Inc., including Affidavit of David Stroh with 2 photographs.

\* cited by examiner

(56) **References Cited**

**U.S. PATENT DOCUMENTS**

- 3,084,442 A \* 4/1963 Jacobson et al. .... 33/265
- 3,234,651 A 2/1966 Rivers
- 3,455,027 A 7/1969 Perkins
- 3,475,820 A 11/1969 Kernan
- 3,997,974 A 12/1976 Larson
- 4,120,096 A 10/1978 Keller
- 4,244,115 A 1/1981 Waldorf
- 4,291,664 A 9/1981 Nishioka
- 4,977,678 A 12/1990 Sears
- 5,086,567 A 2/1992 Tutsch
- 5,103,568 A 4/1992 Canoy
- 5,127,166 A \* 7/1992 Bishop ..... 42/137
- 5,131,153 A 7/1992 Seales
- 5,362,046 A 11/1994 Sims
- 5,383,279 A 1/1995 Tami
- 5,442,861 A 8/1995 Lorocco
- 5,442,863 A 8/1995 Fazely
- 5,465,491 A \* 11/1995 Thell ..... 33/265

*Primary Examiner*—Louis S. Zarfaz  
*Assistant Examiner*—Monica A. Weingart  
 (74) *Attorney, Agent, or Firm*—Merchant & Gould P.C.

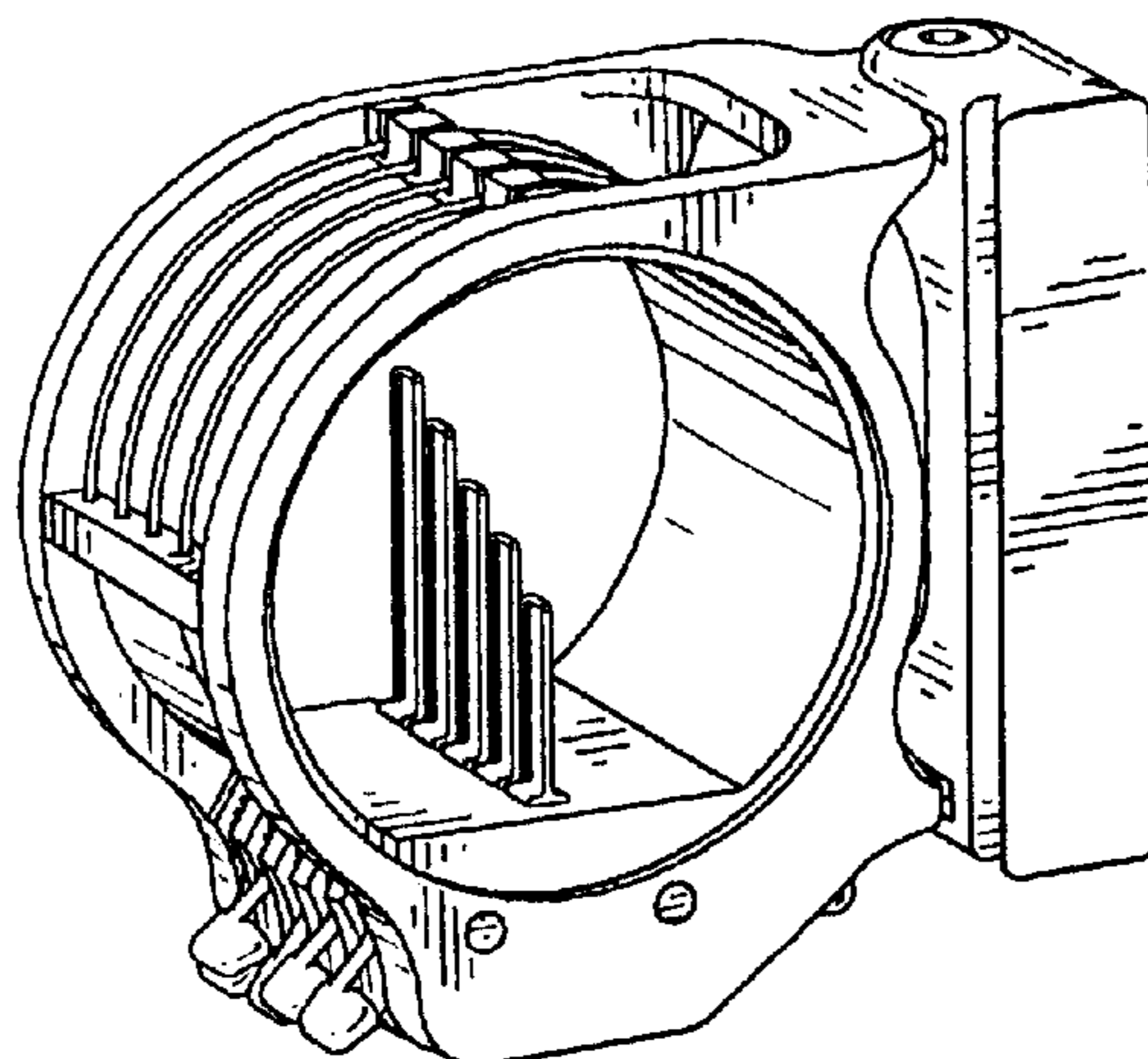
(57) **CLAIM**

The ornamental design for the bow sight, as shown and described.

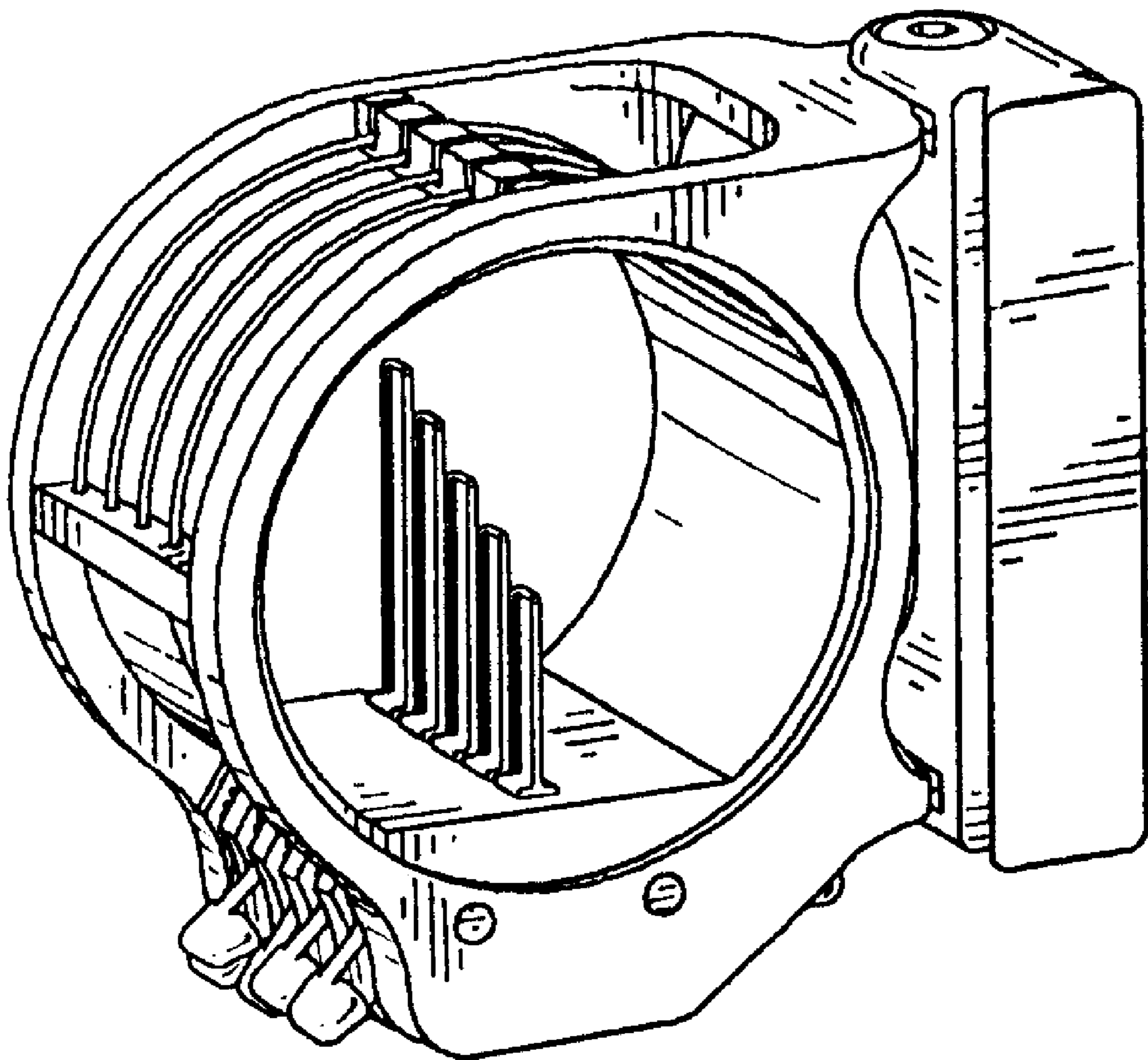
**DESCRIPTION**

FIG. 1 is a perspective view of a bow sight, illustrating the front, top and right sides of the bow sight;  
 FIG. 2 is a front plan view of the bow sight of FIG. 1;  
 FIG. 3 is a back plan view of the bow sight of FIG. 1;  
 FIG. 4 is a top plan view of the bow sight of FIG. 1;  
 FIG. 5 is a bottom plan view of the bow sight of FIG. 1;  
 FIG. 6 is a left plan view of the bow sight of FIG. 1; and,  
 FIG. 7 is a right plan view of the bow sight of FIG. 1.

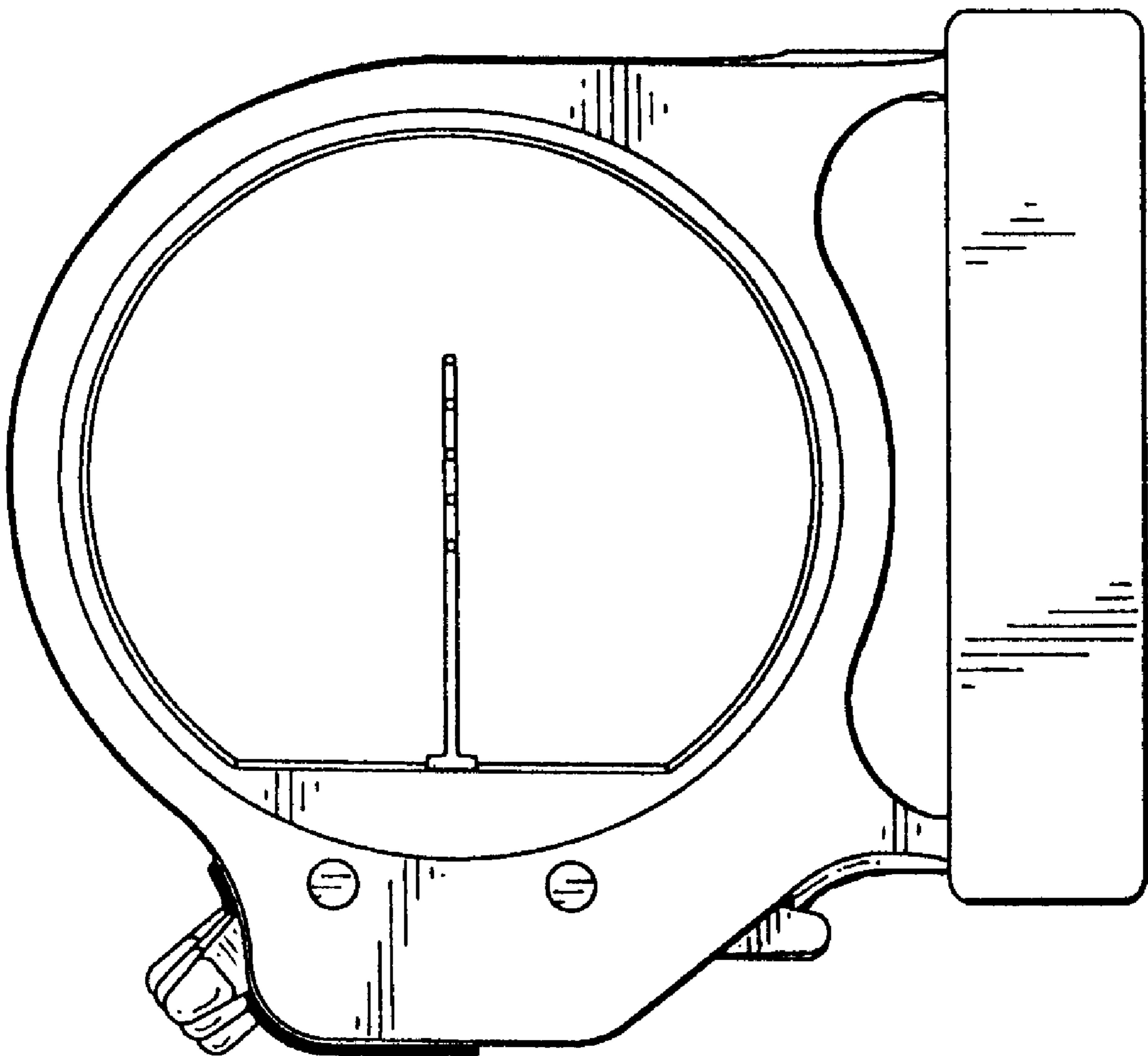
**1 Claim, 7 Drawing Sheets**



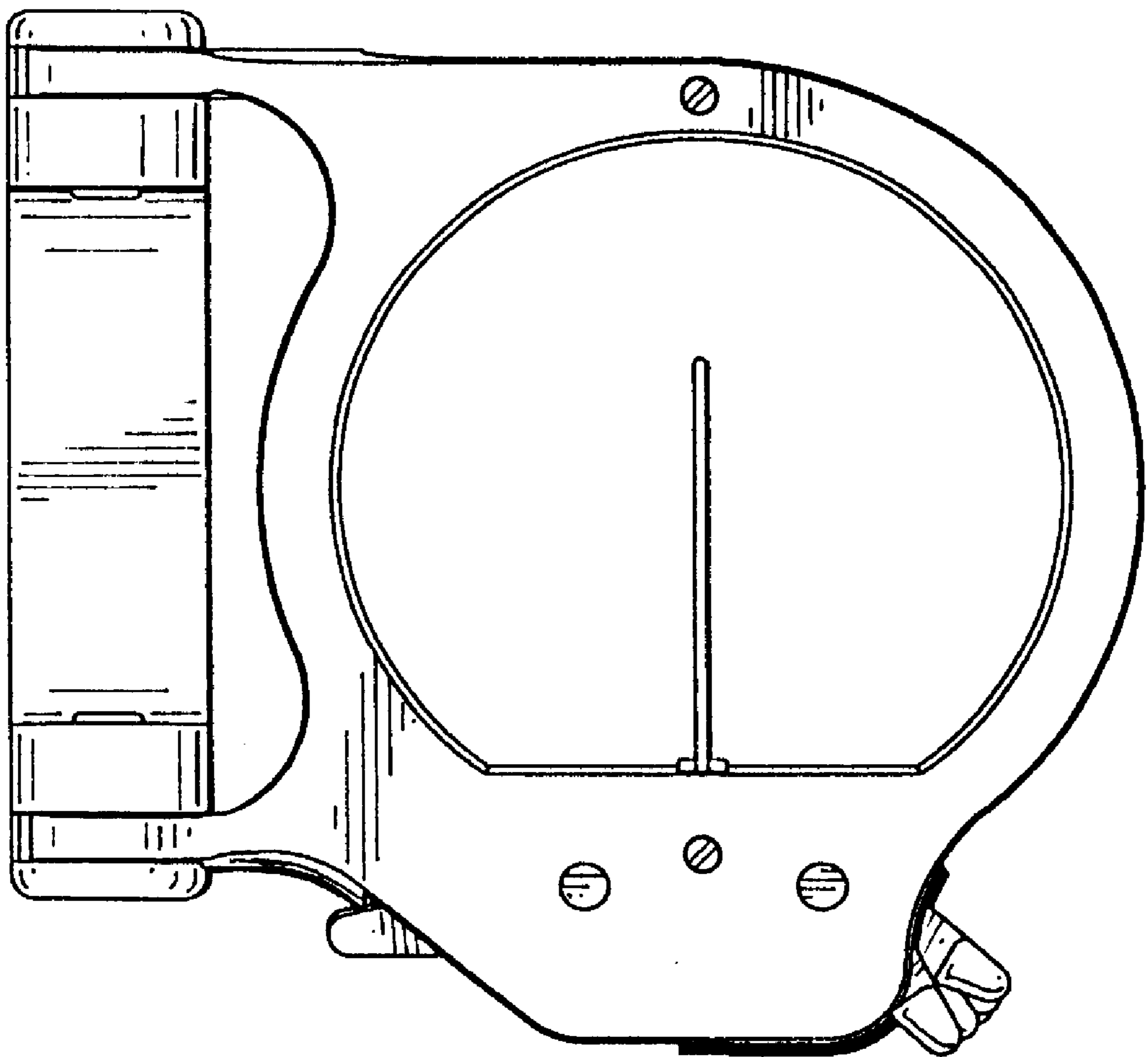
*Fig. 1*



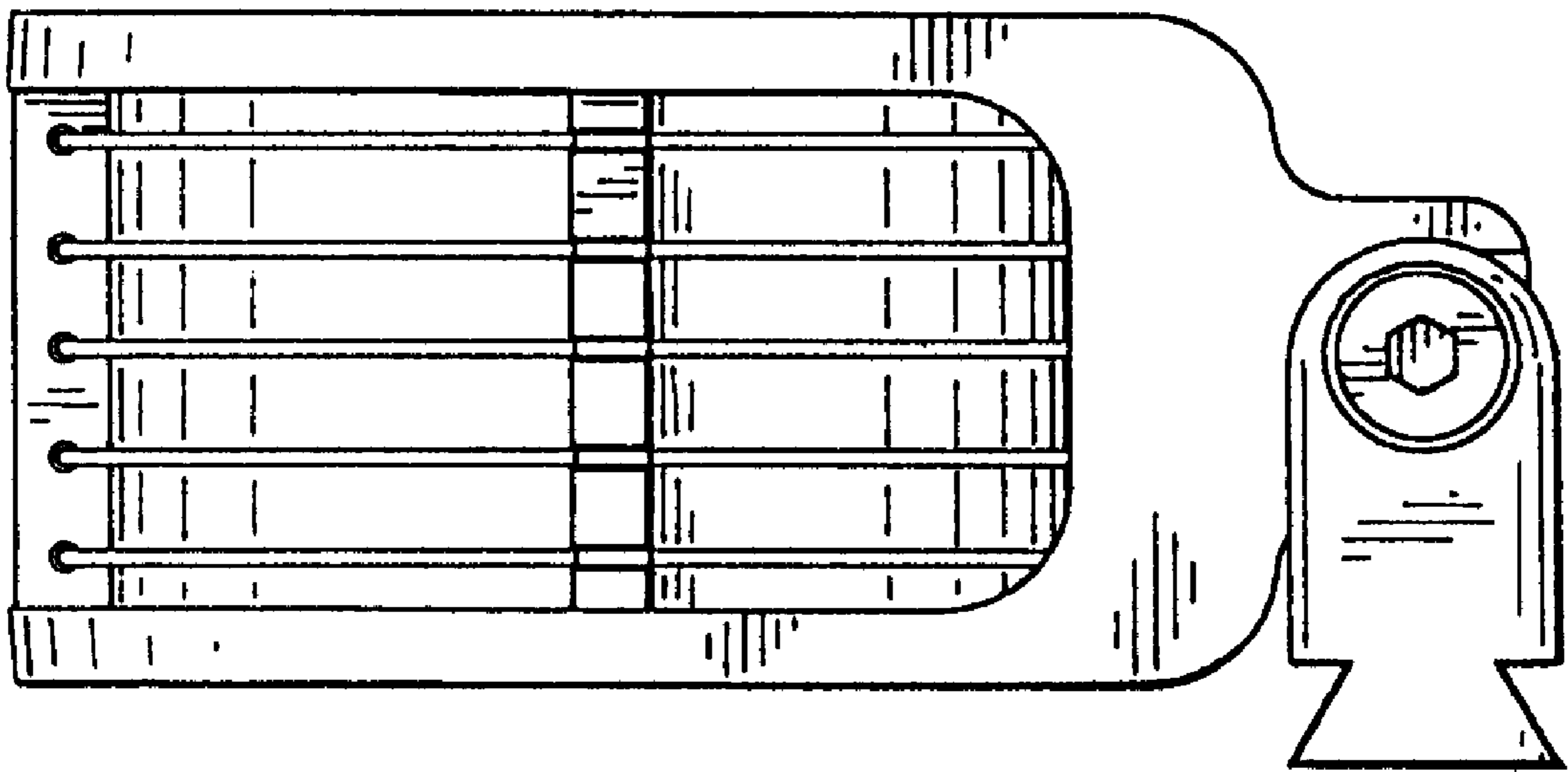
*Fig. 2*



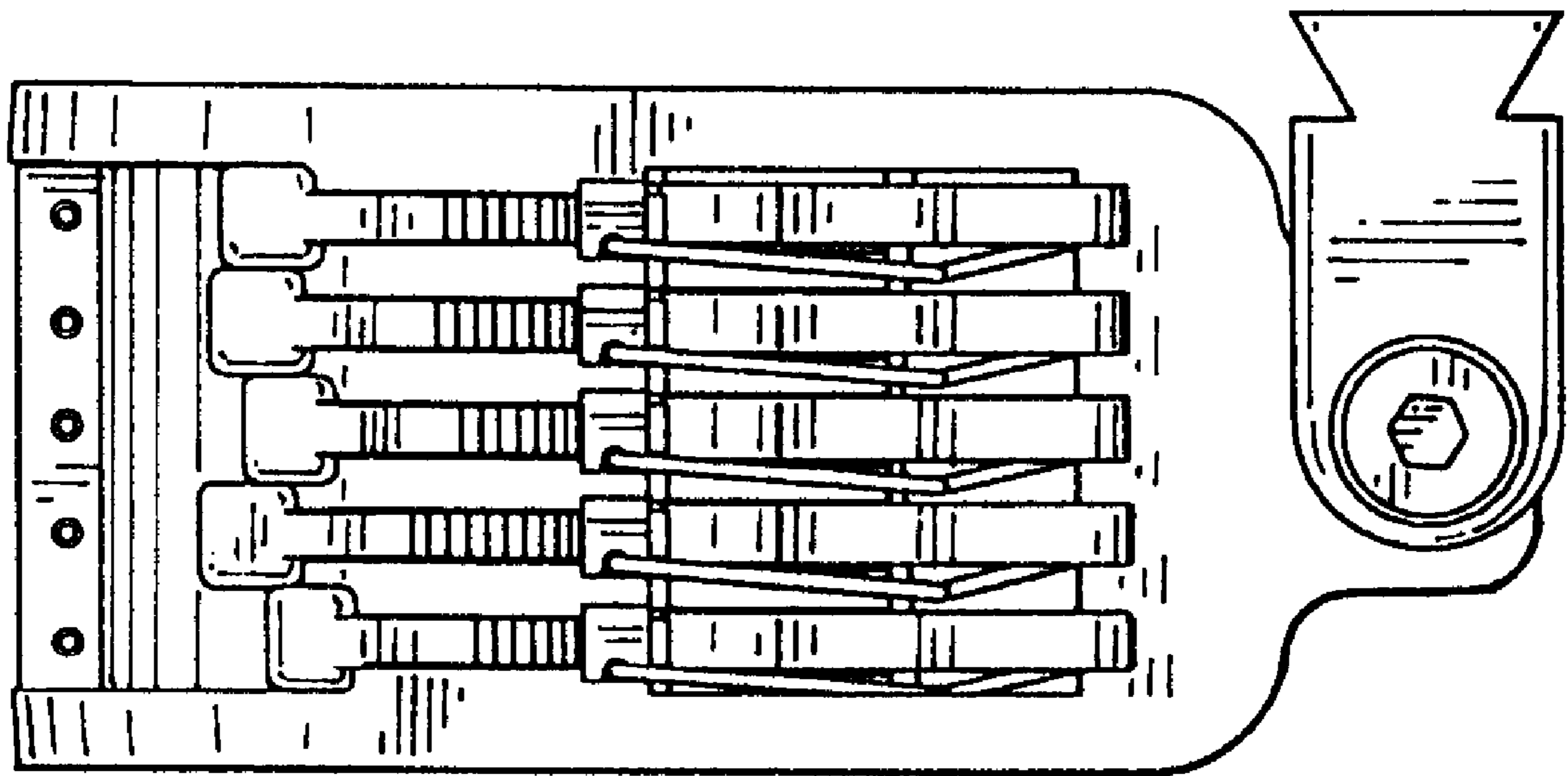
*Fig. 3*



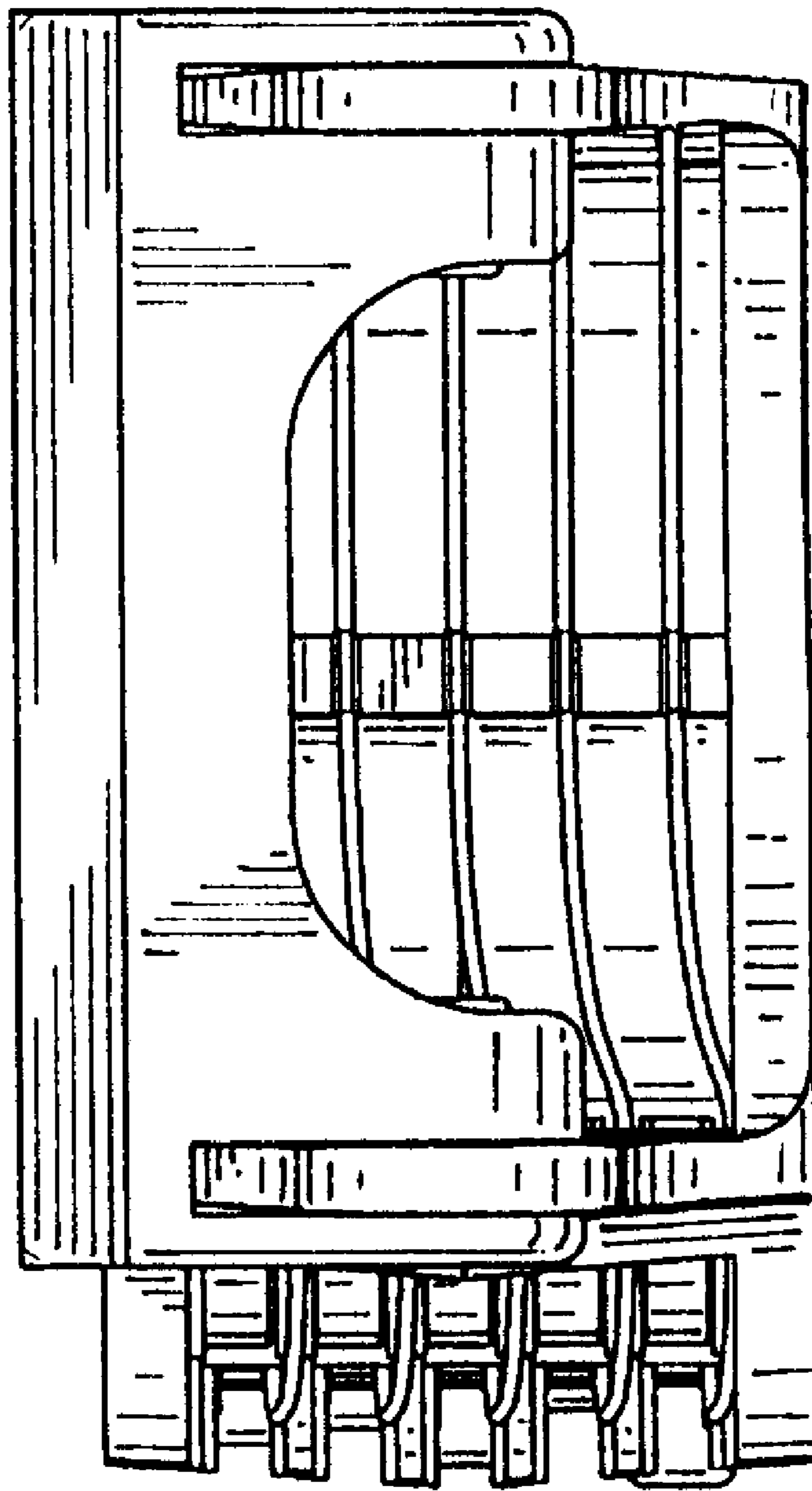
*Fig. 4*



*Fig. 5*



*Fig. 6*



*Fig. 7*

