



US00D487779S

(12) **United States Design Patent**
Rose

(10) **Patent No.:** **US D487,779 S**
(45) **Date of Patent:** **** Mar. 23, 2004**

(54) **ELECTRONIC SIGN ENCLOSURE HAVING A RAIL**

(76) **Inventor:** **Todd L. Rose**, 21293 482nd Ave.,
Elkton, SD (US) 57026

(**) **Term:** **14 Years**

(21) **Appl. No.:** **29/173,753**

(22) **Filed:** **Jan. 6, 2003**

(51) **LOC (7) Cl.** **20-03**

(52) **U.S. Cl.** **D20/19**

(58) **Field of Search** D20/10, 12, 18,
D20/19, 20, 21, 99; D10/46.1; 40/448-454,
541-2, 553, 573, 584; 52/38, 73; 340/323;
712/217

(56) **References Cited**

U.S. PATENT DOCUMENTS

3,273,140	A	*	9/1966	Foster et al.	345/30
4,263,736	A	*	4/1981	Beierwaltes et al.	40/452
D285,456	S	*	9/1986	Wiens	D20/39
4,937,499	A	*	6/1990	Hunte	315/149
D311,932	S	*	11/1990	Fox	D20/10
4,970,816	A	*	11/1990	Trame	40/552
D312,664	S	*	12/1990	Kaut	D20/10
5,396,724	A	*	3/1995	Dinsmore	40/612
5,636,462	A	*	6/1997	Kleiman	40/452

5,685,511	A	*	11/1997	Ghany et al.	248/201
D392,143	S	*	3/1998	Farrell	D6/570
5,900,850	A	*	5/1999	Bailey et al.	345/55
5,941,002	A	*	8/1999	Rusin	D10/46.1
6,000,812	A	*	12/1999	Freeman et al.	362/249
6,015,124	A	*	1/2000	Loy	248/220.31
D431,602	S	*	10/2000	Van Genechten	D20/10
D445,922	S	*	7/2001	Yasuoka	D26/1
6,314,669	B1	*	11/2001	Tucker	40/448
6,326,945	B1	*	12/2001	Williams, III	345/111

* cited by examiner

Primary Examiner—Robert M. Spear

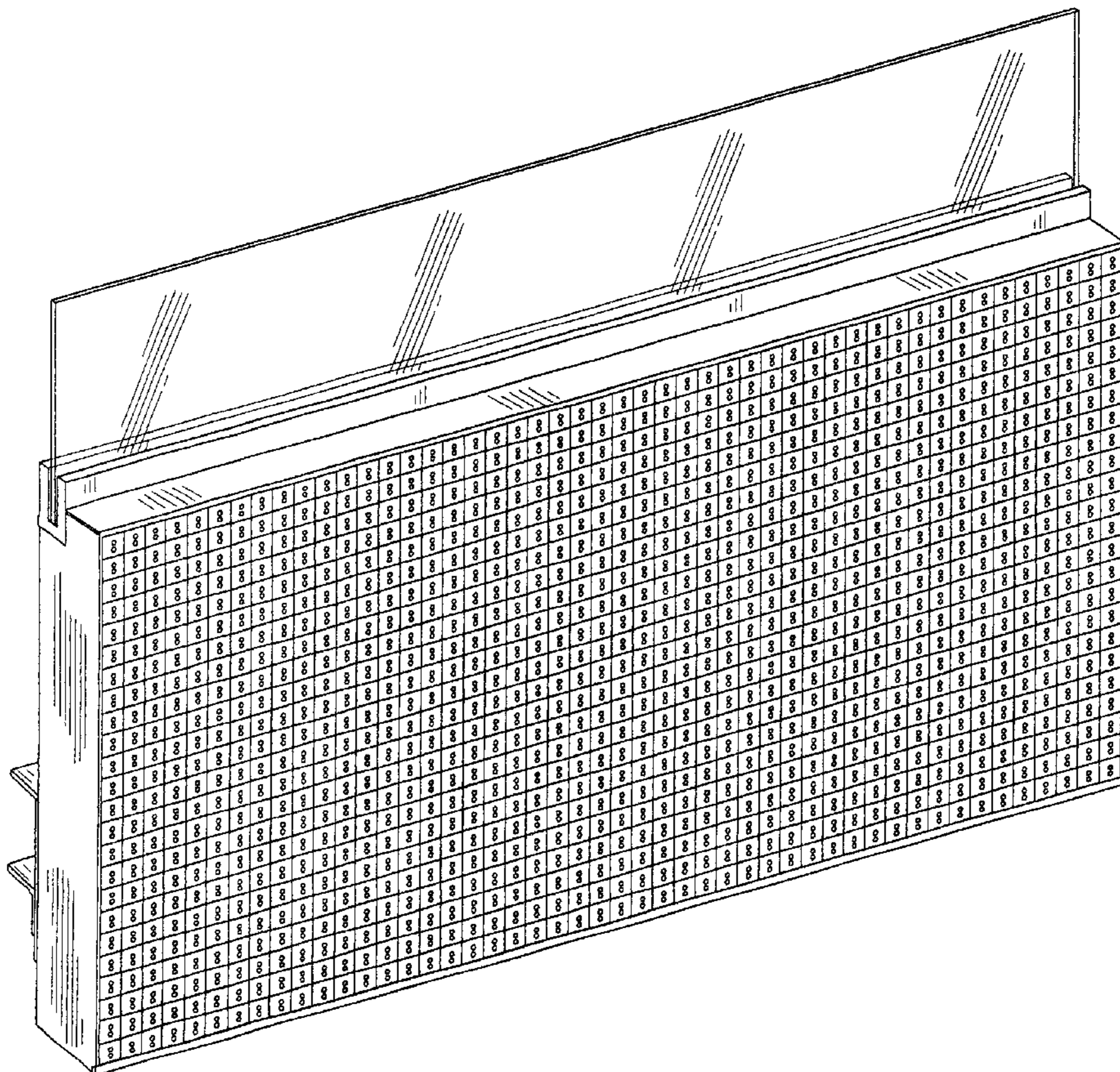
(57) **CLAIM**

The ornamental design for an electronic sign enclosure having a rail, as shown.

DESCRIPTION

FIG. 1 illustrates a front view thereof;
FIG. 2 illustrates a left side view thereof;
FIG. 3 illustrates a right side view thereof;
FIG. 4 illustrates a back view thereof;
FIG. 5 illustrates a top view thereof;
FIG. 6 illustrates a bottom view thereof;
FIG. 7 illustrates a front isometric view thereof; and,
FIG. 8 illustrates a back isometric view thereof.

1 Claim, 8 Drawing Sheets



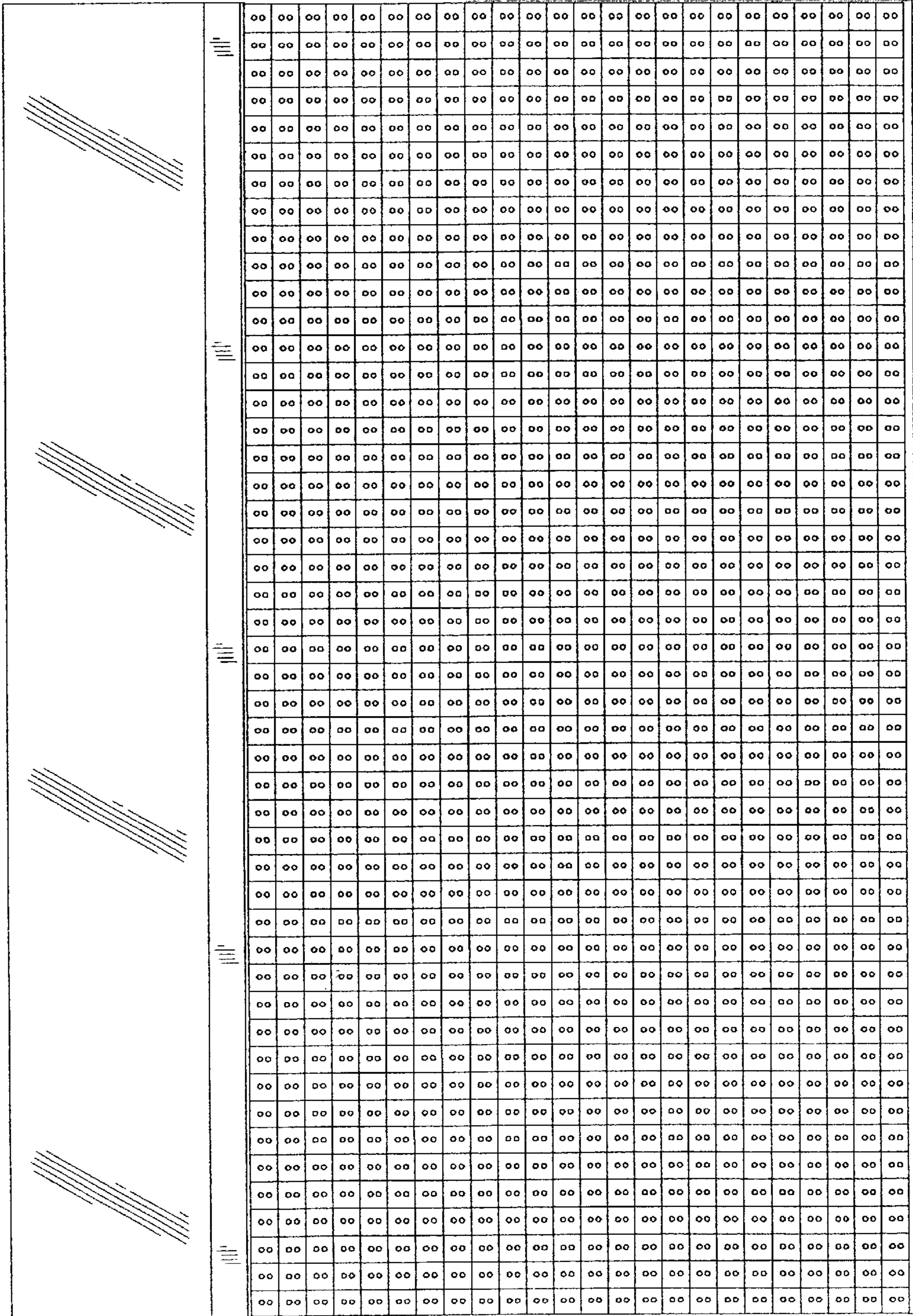


FIG. 1

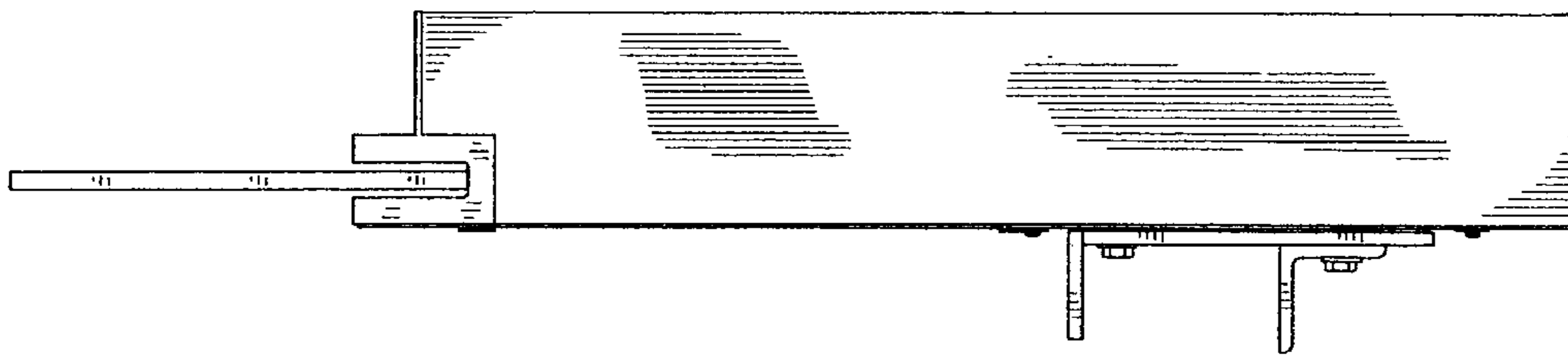


FIG. 2

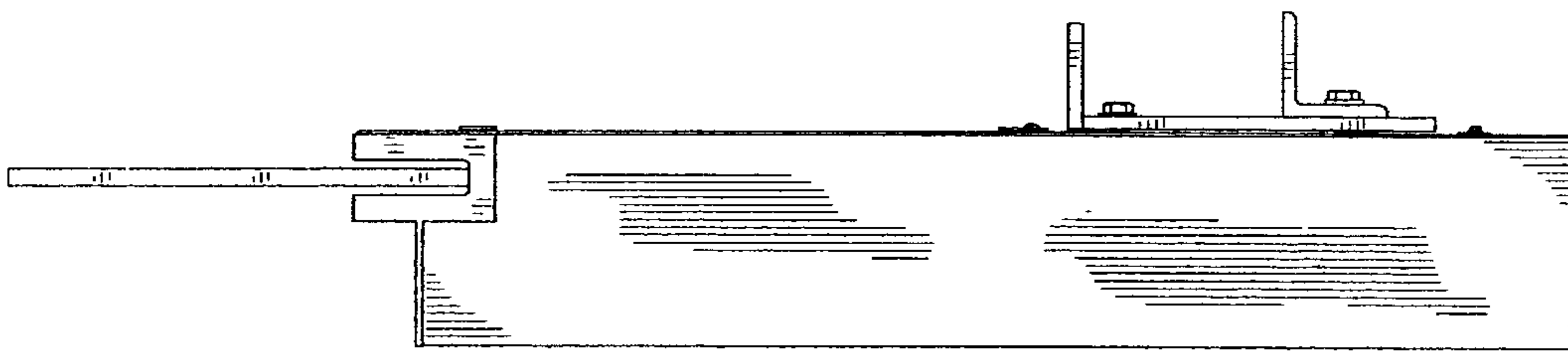


FIG. 3

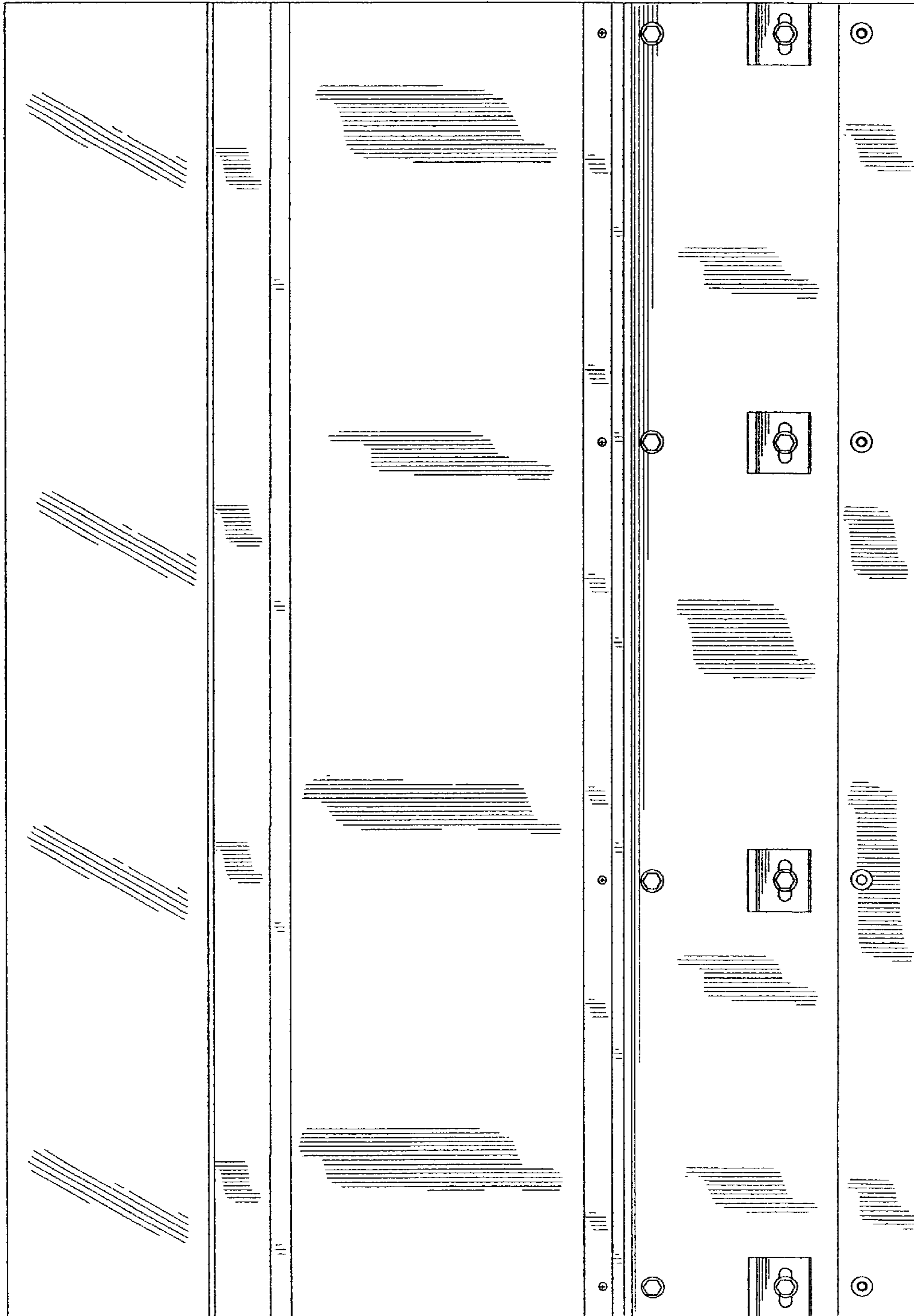


FIG. 4

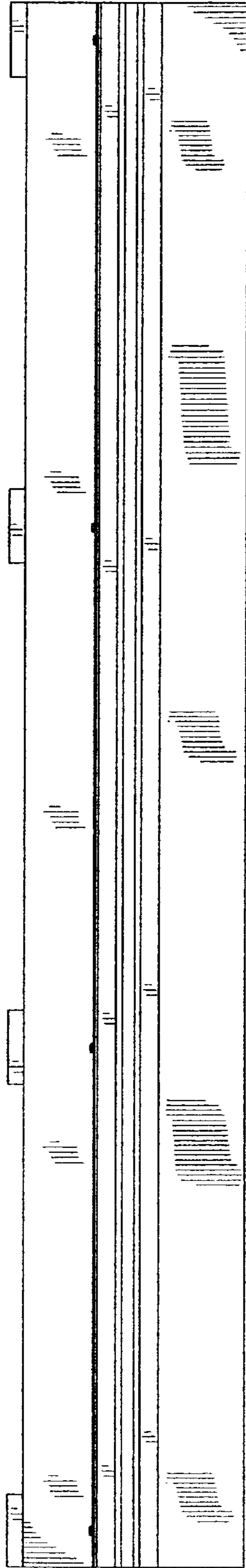


FIG. 5

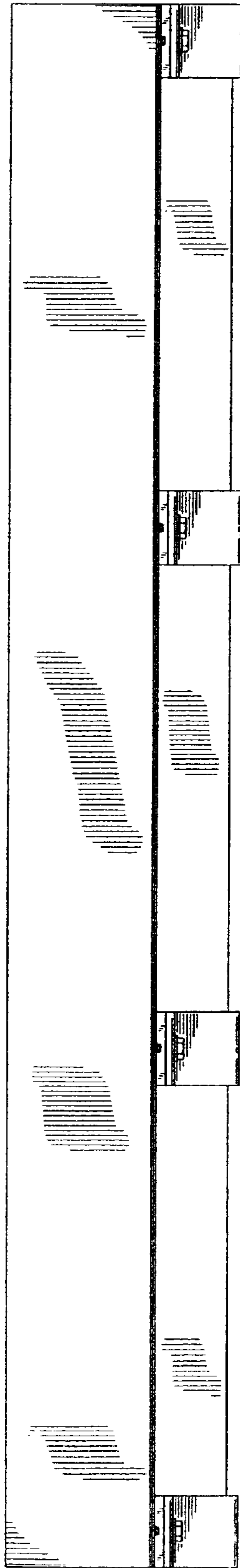


FIG. 6

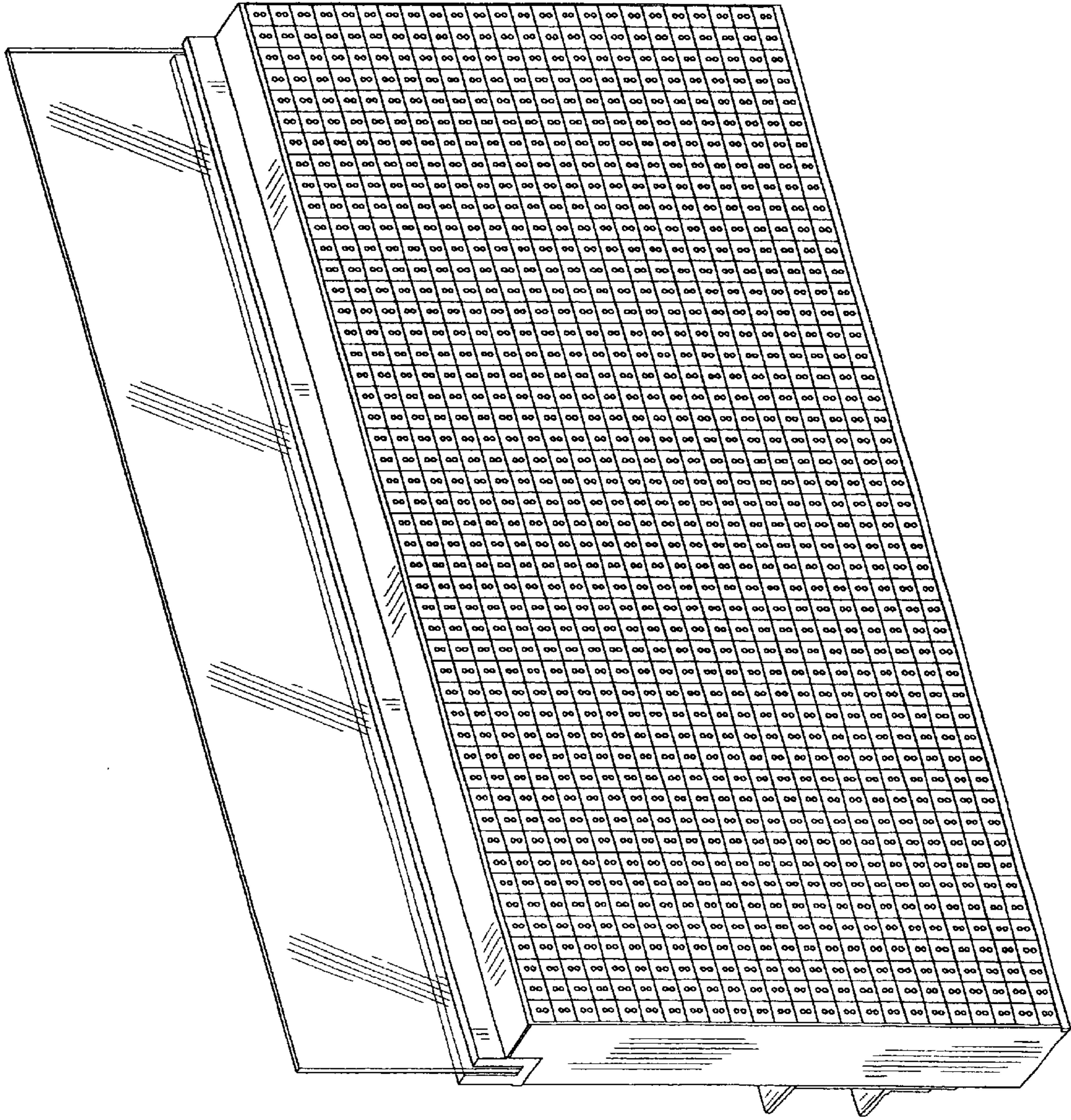


FIG. 7

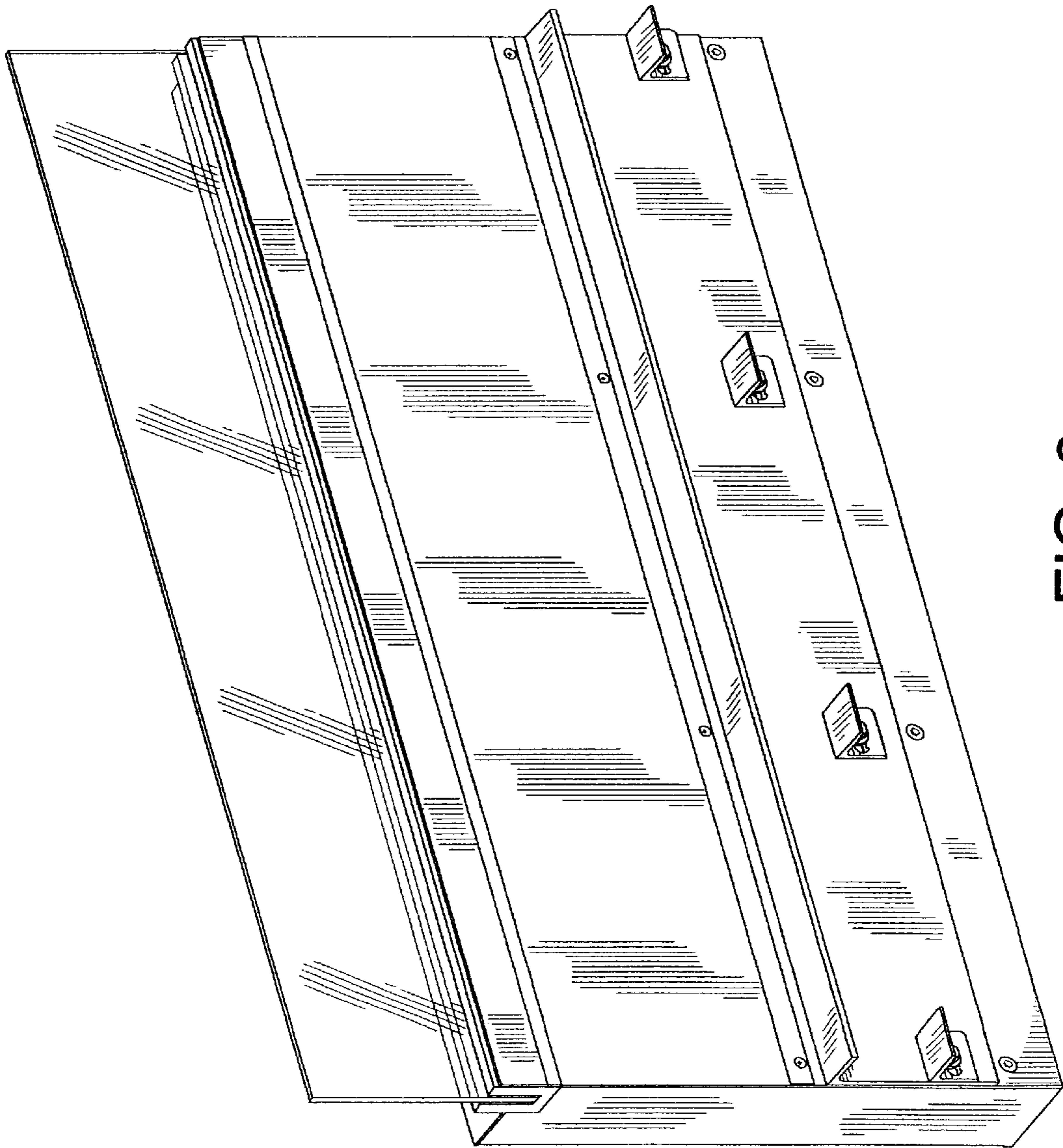


FIG. 8

UNITED STATES PATENT AND TRADEMARK OFFICE
CERTIFICATE OF CORRECTION

PATENT NO. : Des. 487,779 S
DATED : March 23, 2004
INVENTOR(S) : Todd L. Rose

Page 1 of 1

It is certified that error appears in the above-identified patent and that said Letters Patent is hereby corrected as shown below:

Title page,

Item [73], Assignee, should read as follows: -- **Daktronics, Inc.**, Brookings, SD (US) --

Signed and Sealed this

Twenty-fifth Day of May, 2004

A handwritten signature in black ink that reads "Jon W. Dudas". The signature is written in a cursive style with a large, looped initial "J".

JON W. DUDAS
Acting Director of the United States Patent and Trademark Office