



US00D487767S

(12) **United States Design Patent**  
**Schoenert et al.**

(10) **Patent No.:** **US D487,767 S**

(45) **Date of Patent:** **\*\* Mar. 23, 2004**

- (54) **ADAPTOR MODULE FOR A PROJECTOR SYSTEM**
- (75) Inventors: **Richard C. Schoenert**, Sherwood, OR (US); **Phillip H. Salvatori**, Salem, OR (US); **Danny Han**, Beaverton, OR (US)
- (73) Assignee: **InFocus Corporation**, Wilsonville, OR (US)
- (\*\*) Term: **14 Years**

D443,630 S	6/2001	Salvatori	.....	D16/230
D449,060 S	10/2001	Saeki et al.	.....	D16/230
D450,076 S	11/2001	Fujimaki	.....	D16/230
6,426,882 B1 *	7/2002	Sample	.....	439/540.1
D464,074 S	10/2002	Miyazaki	.....	D16/230
6,488,380 B1	12/2002	Fujimori	.....	353/119
D470,525 S	2/2003	Nakayama et al.	.....	D16/231
D472,570 S	4/2003	Takahashi	.....	D16/230
6,547,396 B1	4/2003	Svardal et al.	.....	353/8
D475,729 S *	6/2003	Shiota et al.	.....	D16/230
2002/0140909 A1	10/2002	Tanaka	.....	353/70

- (21) Appl. No.: **29/181,570**
- (22) Filed: **May 12, 2003**

**Related U.S. Application Data**

- (62) Division of application No. 29/159,166, filed on Apr. 15, 2002.
- (51) **LOC (7) Cl.** ..... **16-02**
- (52) **U.S. Cl.** ..... **D16/235; D13/147**
- (58) **Field of Search** ..... **D13/162, 147; D16/205, 208, 219, 221, 225, 230, 231, 234, 235; 353/115, 119, 122; 439/540.1**

(56) **References Cited**

**U.S. PATENT DOCUMENTS**

D237,504 S	*	11/1975	Hartwein	.....	D16/235
D291,123 S	*	7/1987	McCune	.....	D24/169
5,161,997 A	*	11/1992	Defibaugh et al.	.....	D13/147
D387,795 S		12/1997	Sakamoto	.....	D16/231
D389,503 S		1/1998	Shimizu et al.	.....	D16/230
5,779,499 A	*	7/1998	Sette et al.	.....	439/540.1
D437,337 S		2/2001	Kawasaki et al.	.....	D16/230

**FOREIGN PATENT DOCUMENTS**

WO DM/058129 11/2001

\* cited by examiner

*Primary Examiner*—Adir Aronovich

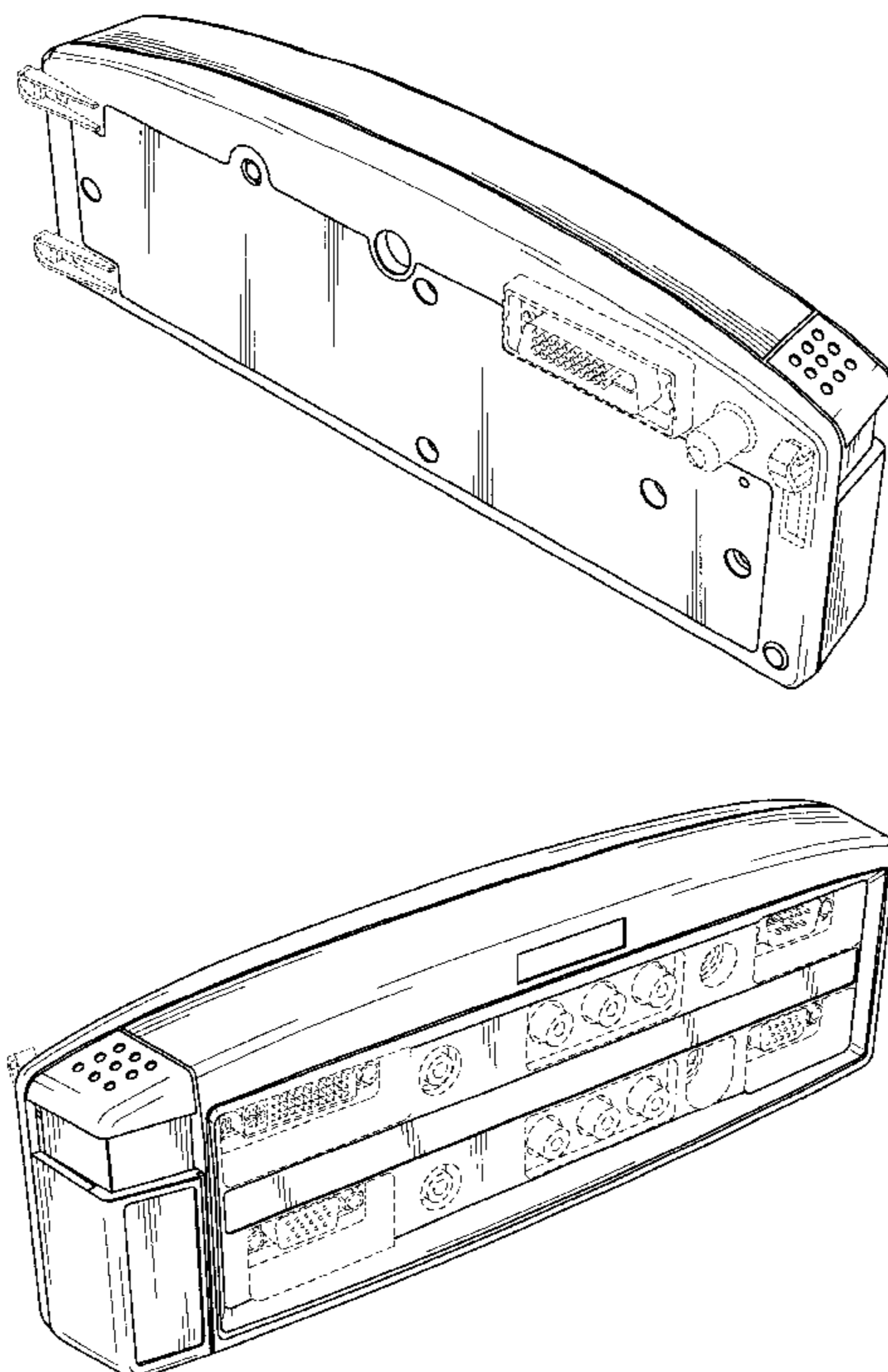
(57) **CLAIM**

The ornamental design for an adaptor module for a projector system, as shown and described.

**DESCRIPTION**

FIG. 1 is a rear perspective view of an adaptor module for a projector system according to the present invention. FIG. 2 is a front perspective view thereof. FIG. 3 is a rear perspective view thereof. FIG. 4 is a rear view thereof. FIG. 5 is a front view thereof. FIG. 6 is a right side view thereof; and, FIG. 7 is a left side view thereof. The broken lines shown on the drawings are for illustrative purposes only and form no part of the claimed design.

**1 Claim, 3 Drawing Sheets**



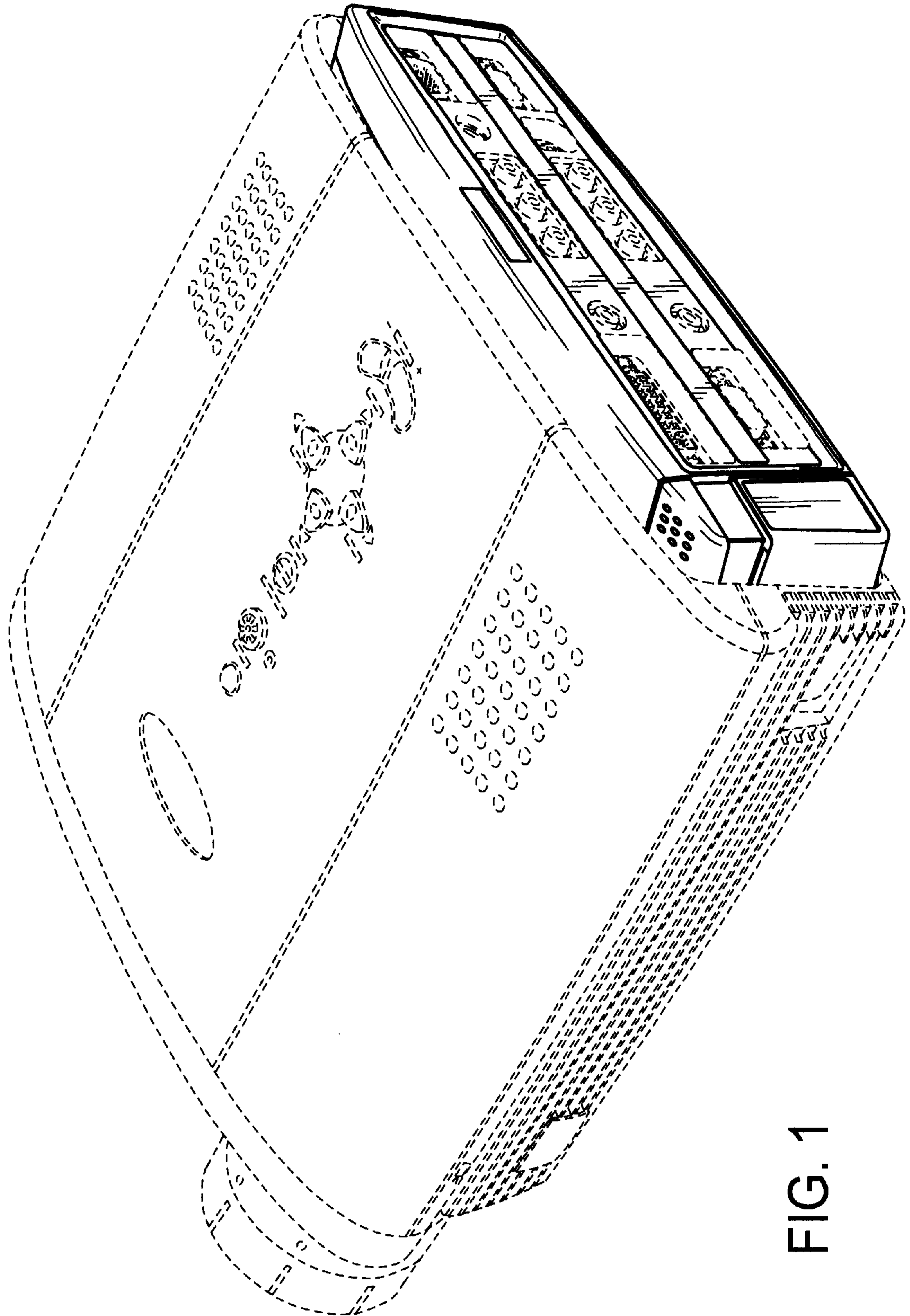


FIG. 1

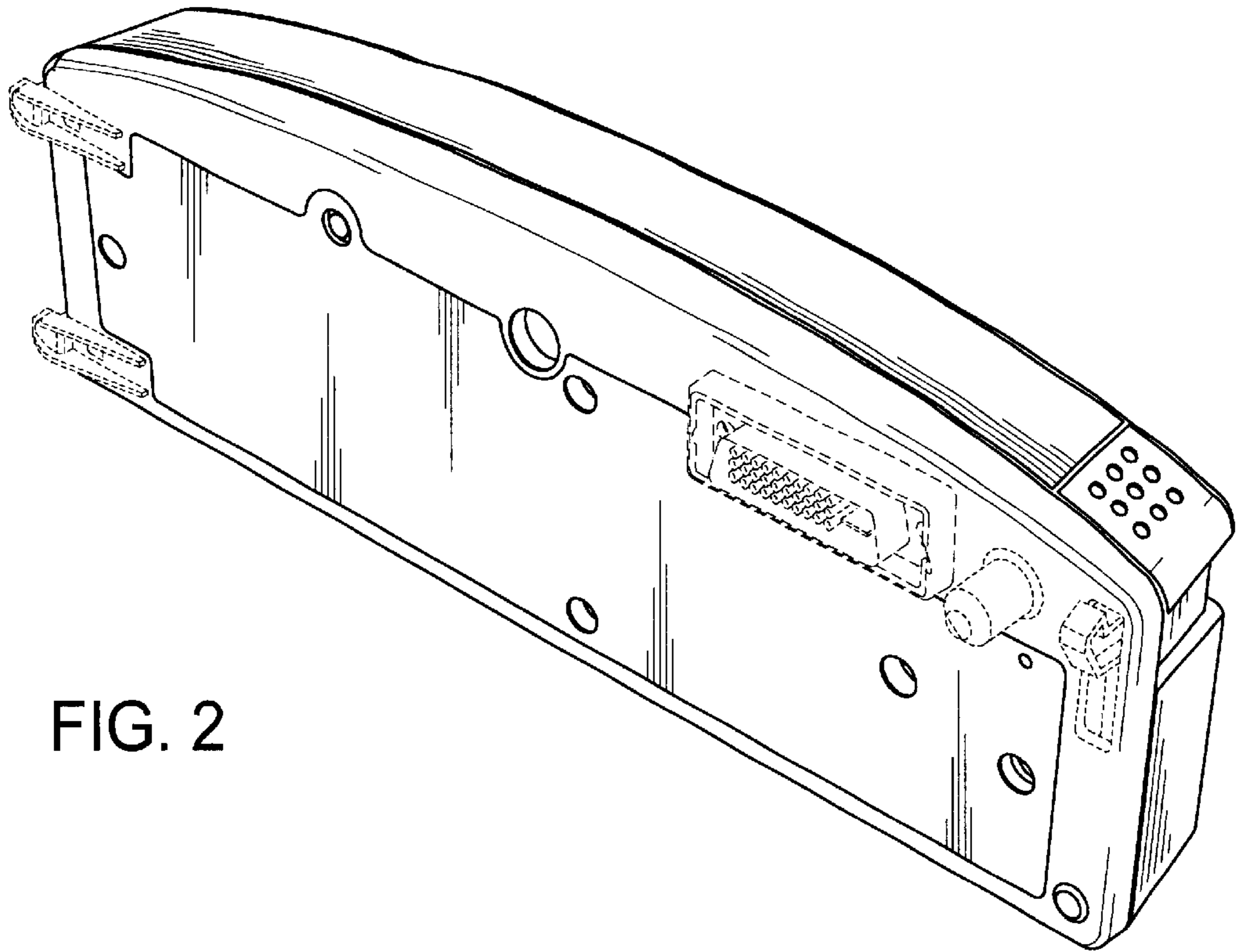


FIG. 2

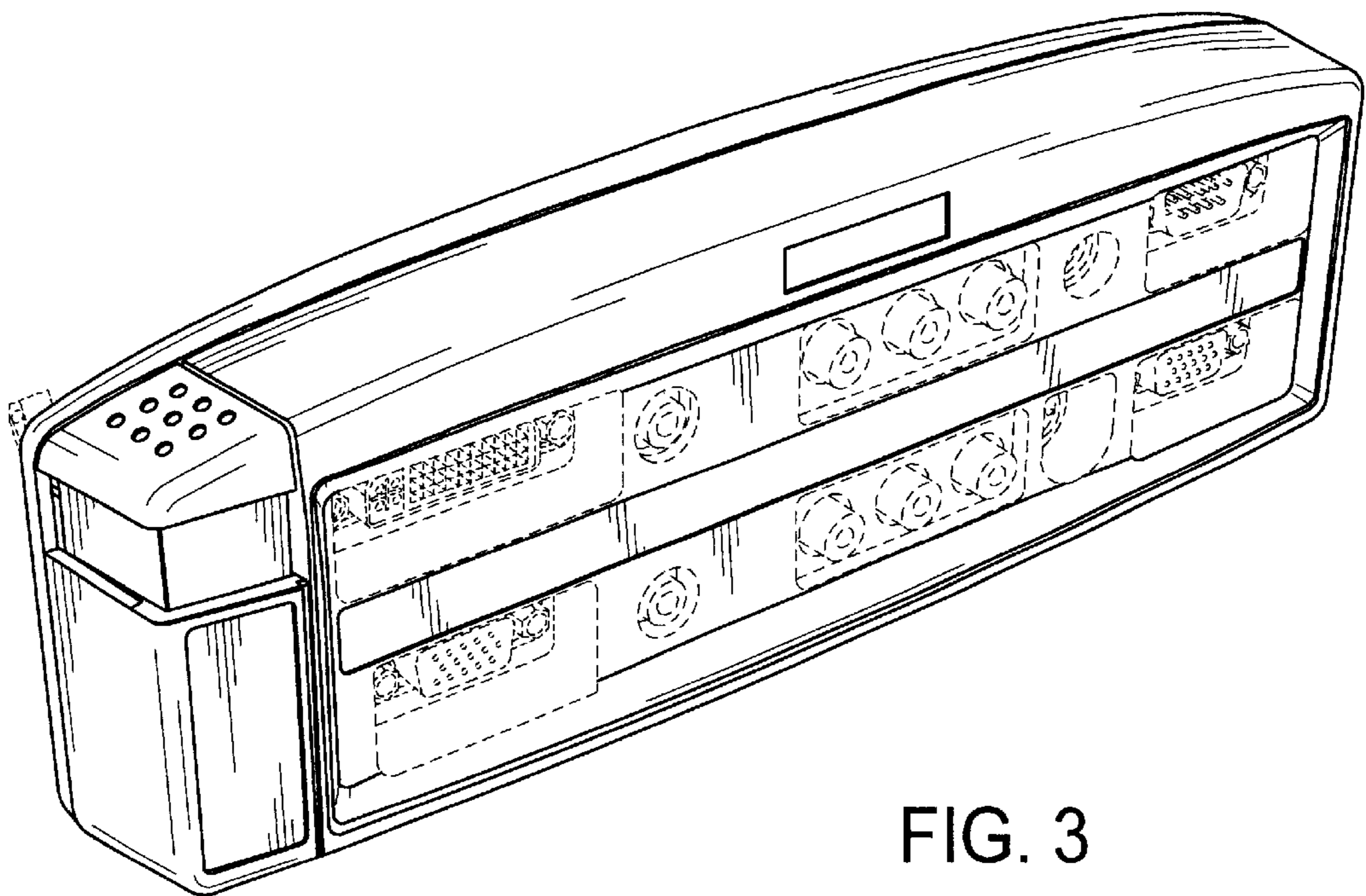


FIG. 3

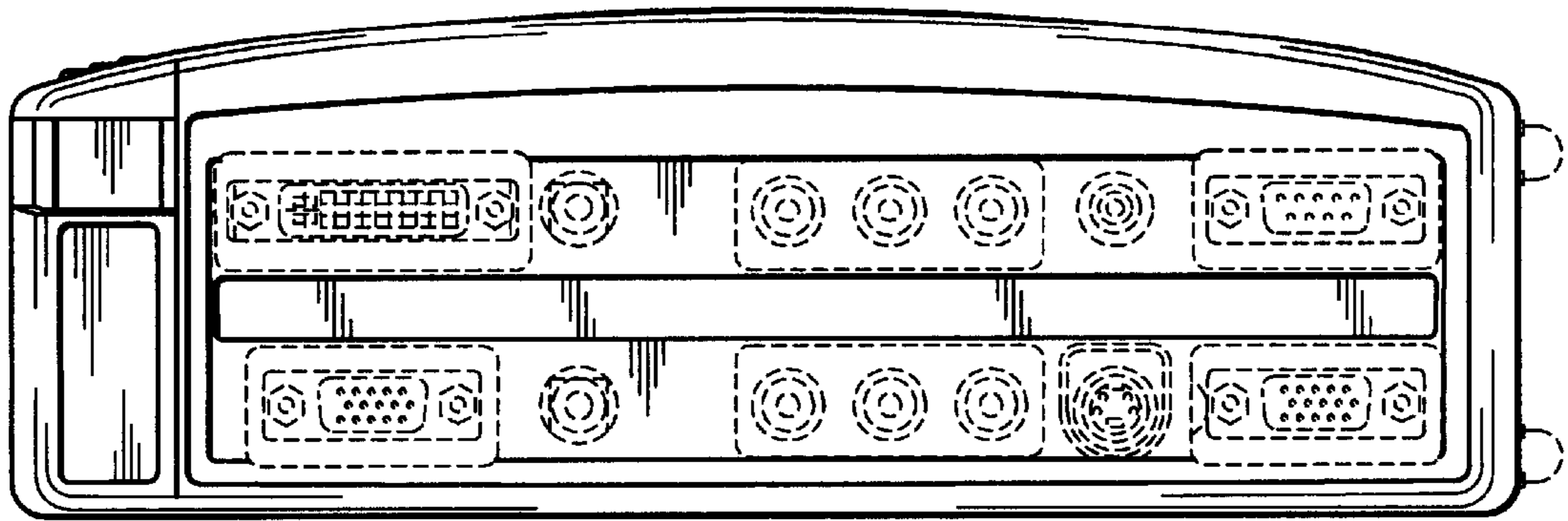


FIG. 4

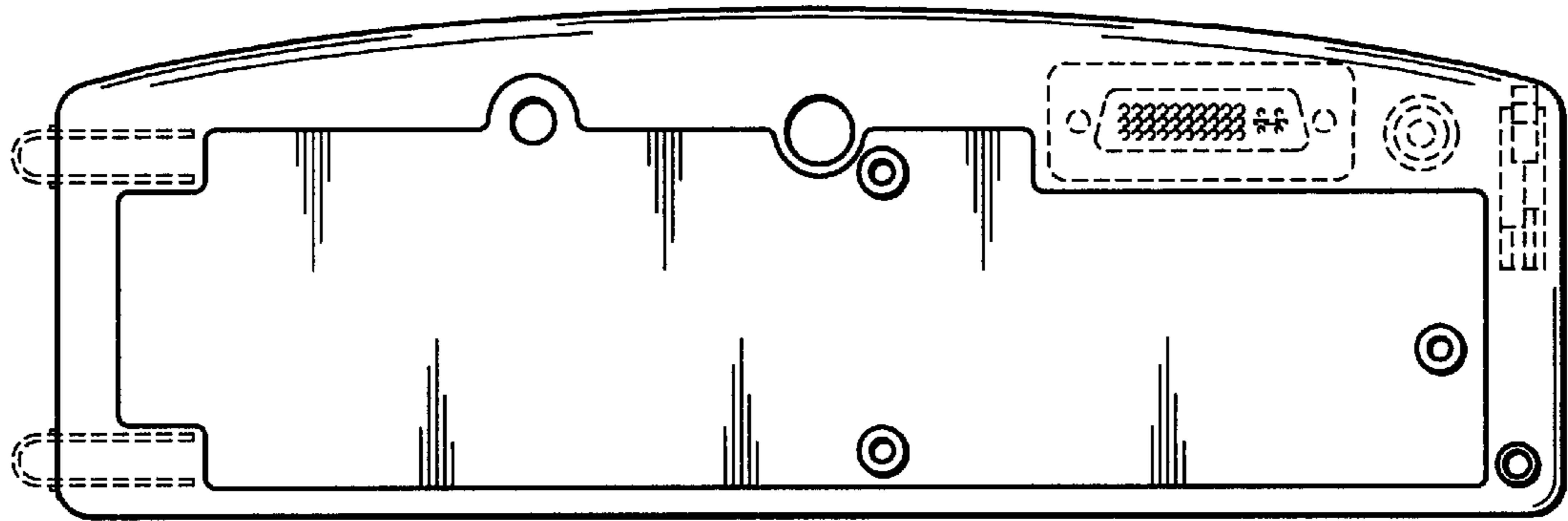


FIG. 5

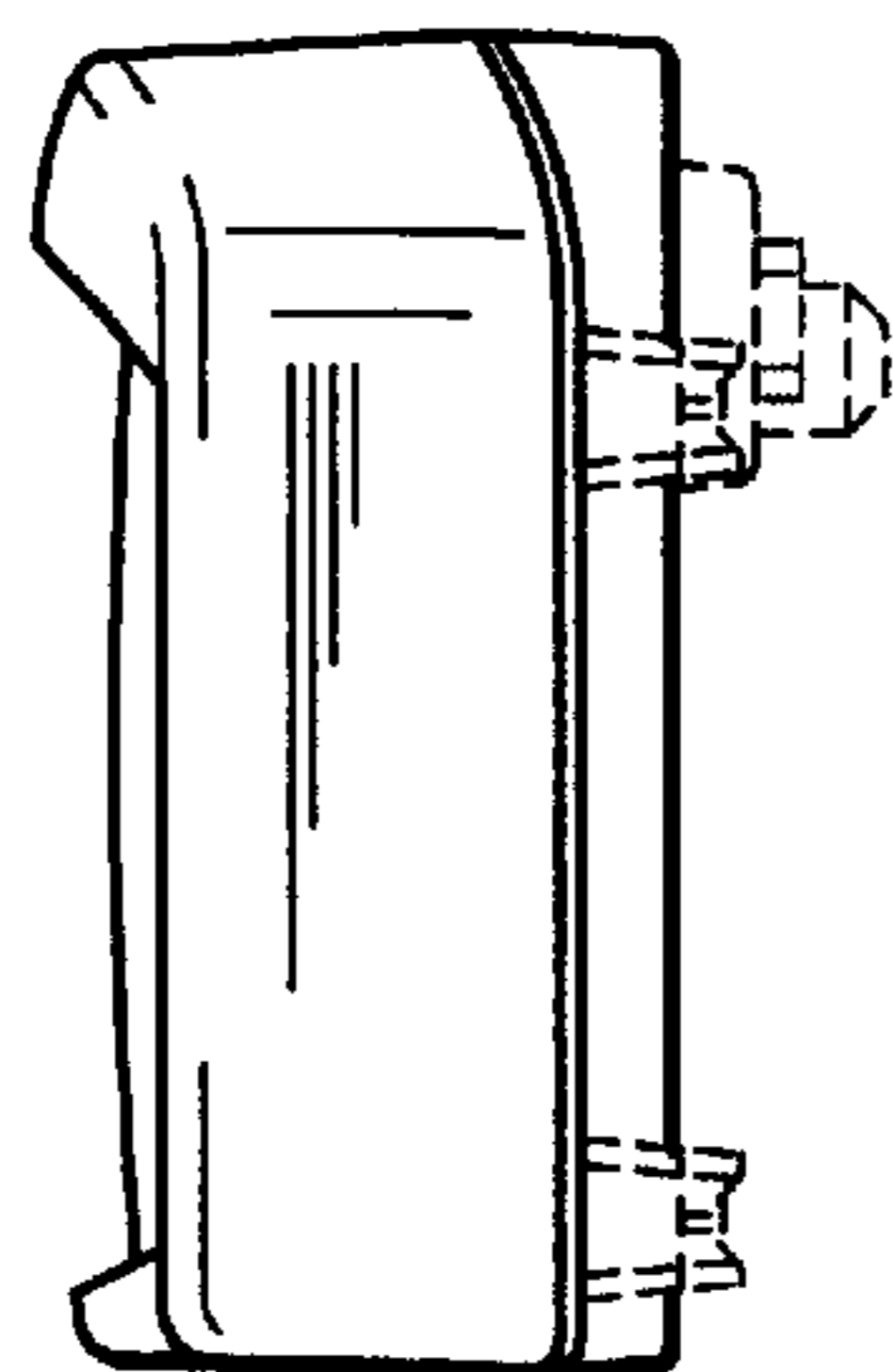


FIG. 6

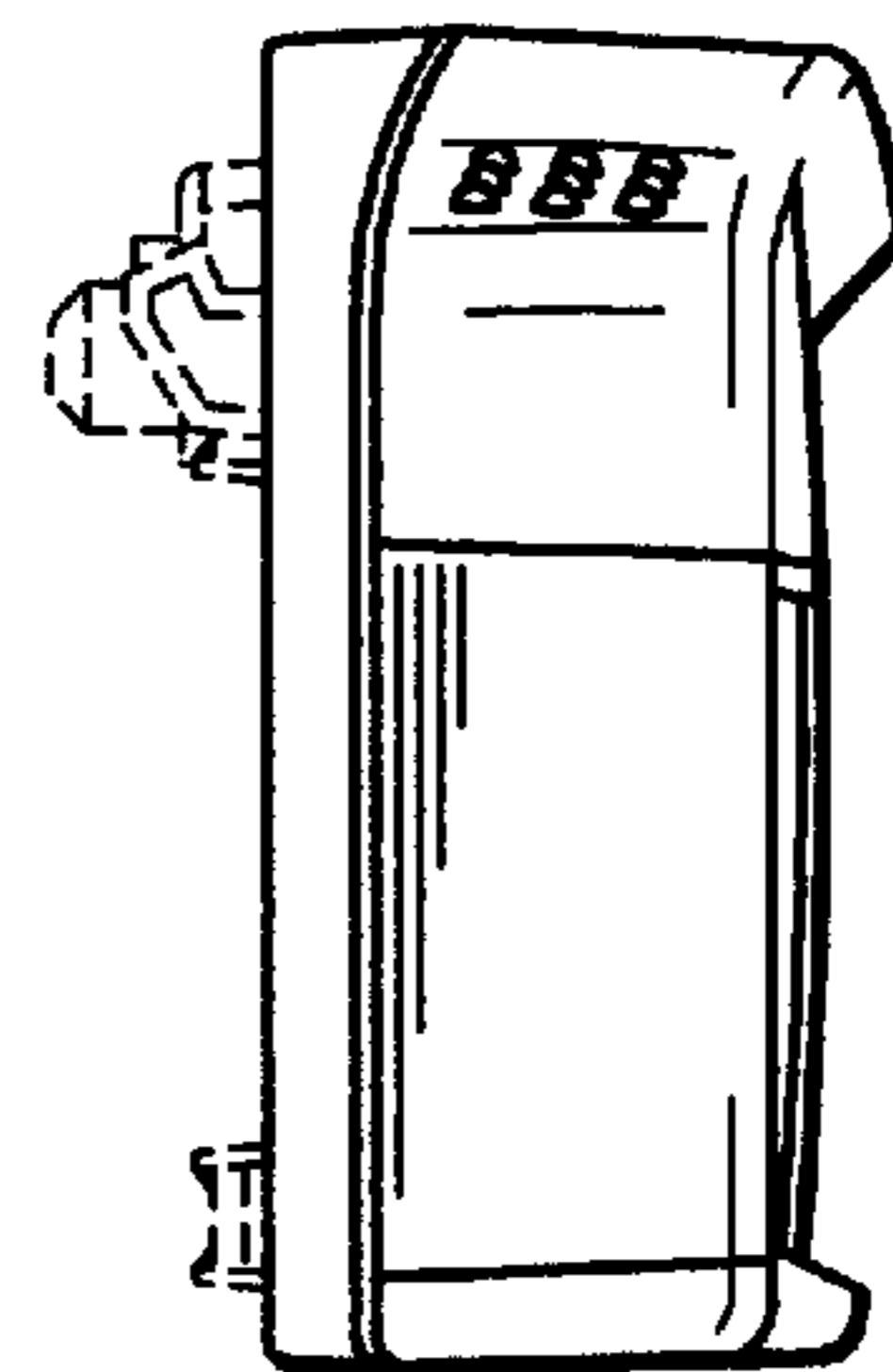


FIG. 7